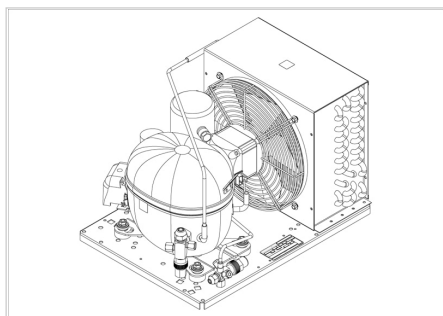


MODEL

UNT2180GK

embraco




APPROVALS




 **ENGINEERING CODE**
503HA5612AA


 **APPROVED REFRIGERANT**
R452A

 **POWER SUPPLY**
220 - 240V 50Hz ~

 **STANDARD CONDITIONS**
EN13215_RG20

 **APPLICATION**
LBP

 **COOLING CAPACITY**
549 W

 **EFFICIENCY**
0.99 W/W

DATA

General Data

Weight	28.6 Kg
Receiver	1.2 L
Height	296 mm
Length	474 mm
Width	340 mm
Power Supply	220 - 240 V 50 Hz

Electrical Data

Motor Type	CSIR
Locked Rotor Amperage (LRA)	35 A
Max Current	5.8 A

Spare Parts

Valve Discharge	SOLDER 1/4"	2110047
Condenser	4R11T	2451217
Valve Suction	SOLDER 3/8"	2110049
Electrical Kit	ELKOM NT2180GK	923HA0412A
Compressor	NT2180GK	923HA09..AC
Fan Kit	16W 254/28°/5B	1996579

Noise Data

Sound Power Level	65.48 dB (A)	-	-
Sound Pressure Level	at 1 m	at 5 m	at 10 m
	57.48215481 dB (A)	43.50275472 dB (A)	37.48215481 dB (A)

Fan Motor

Number	1
Shaft Power	16 W
Air Flow	460 m³/h
Blade diameter	254 mm

PERFORMANCE

Rated Points

Ambient Temperature	Cooling Capacity	Power Consumption	Current	Efficiency
32.00°C	549 W	555 W	4.38 A	0.99 W/W

Test Condition: EN13215_RG20, Return Gas 0 °C, Subcooling OK , Evaporation -35.00°C, Condensing 0 °C, Ambient 32.00°C

Performance Curve Data

Ambient Temperature 25°C

Evaporating Temperature °C	Cooling Capacity W	Power Consumption W	Current A	Efficiency W/W
-40	478	488	4.19	0.98
-35	598	544	4.37	1.1
-30	740	607	4.58	1.22
-25	903	681	4.83	1.33
-20	1087	768	5.13	1.42
-15	1289	871	5.5	1.48
-10	1509	993	5.97	1.52

Test Condition: EN13215_RG20, LBP

Ambient Temperature 32°C

Evaporating Temperature °C	Cooling Capacity W	Power Consumption W	Current A	Efficiency W/W
-40	421	482	4.15	0.88
-35	549	555	4.38	0.99
-30	695	632	4.62	1.1
-25	861	714	4.89	1.21
-20	1044	805	5.21	1.3
-15	1243	908	5.6	1.37
-10	1459	1025	6.07	1.42

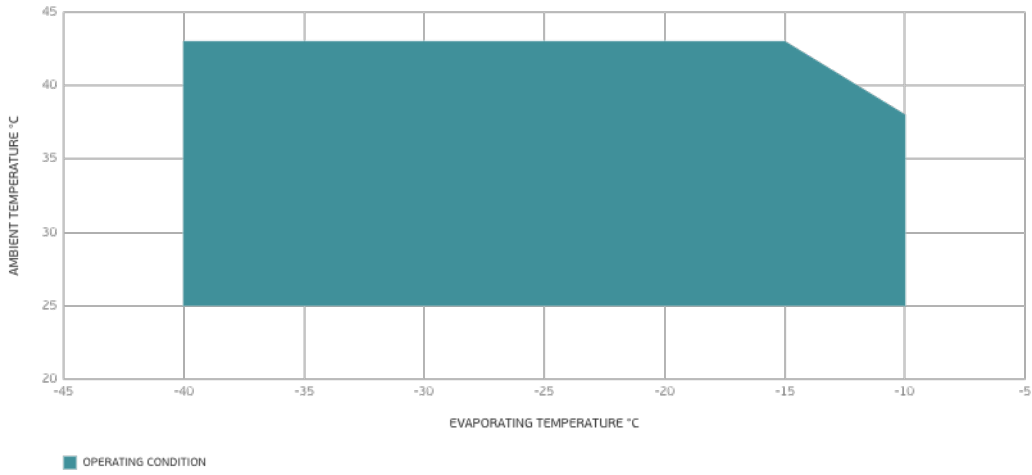
Test Condition: EN13215_RG20, LBP

Ambient Temperature 43°C

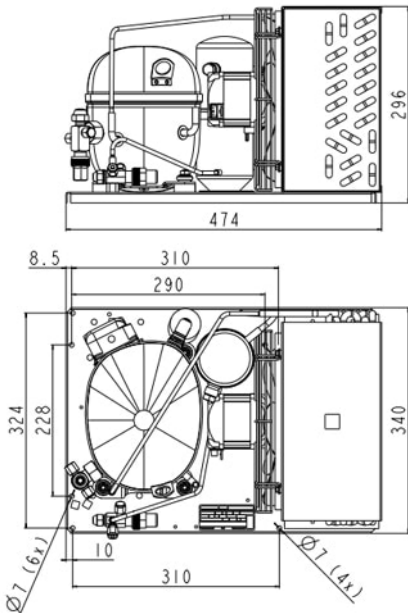
Evaporating Temperature °C	Cooling Capacity W	Power Consumption W	Current A	Efficiency W/W
-40	286	455	4.13	0.63
-35	408	556	4.4	0.73
-30	546	653	4.68	0.84
-25	699	749	4.98	0.93
-20	865	846	5.32	1.02
-15	1045	948	5.73	1.1
-10	1236	1057	6.2	1.17

Test Condition: EN13215_RG20, LBP

Operating Envelope



External Dimensions



Wiring Diagram

