

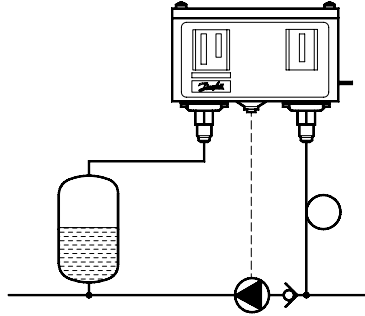
Installation guide

Dual pressure switch Type KP 44

060R9766

060R9766

Ambient temperatures



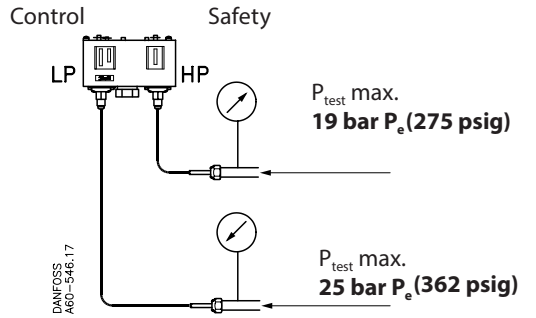
DANFOSS
A60-1174.10

t_1 min. \longrightarrow -40 °C (-40 °F)
 t_1 max. \longrightarrow 65 °C (150 °F)



Caution: Do not mount the control in a position where dirt, sediment or oil will affect the operation of the control.

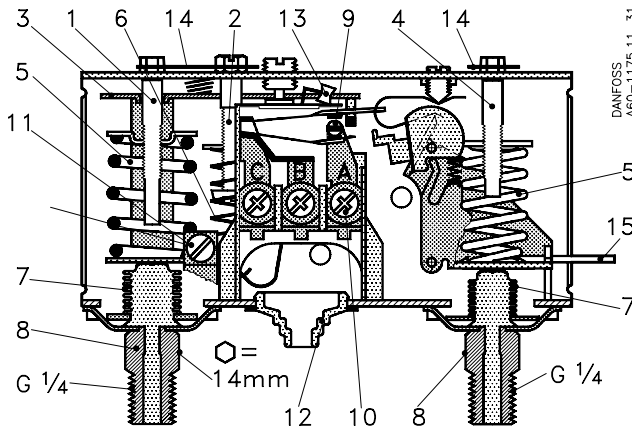
Test pressure (p_{test})



DANFOSS
A60-546.17

Control PS/MWP \longrightarrow 17 bar P_e (245 psig)
 Safety PS/MWP \longrightarrow 17 bar P_e (245 psig)

Connections

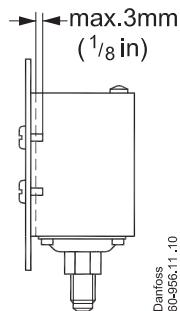


DANFOSS
A60-1175.11 .31

1. Lefthand pressure setting spindle
2. Differential setting spindle
3. Main arm
4. Righthand pressure setting spindle
5. Main spring
6. Differential spring
7. Bellows
8. Pressure connections
9. Contact system
10. Terminal
11. Earth terminal
12. Cable entry
13. Tumbler
14. Locking plate
15. Impulse lever

The switch in the KP has a snap-action function and the bellows moves only when the cut-in or cut-out value is reached.

Enclosure

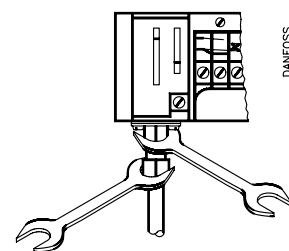


Danfoss
60-956.11 .10



Caution: The mounting panel must be plane to avoid damage of control.

Mounting



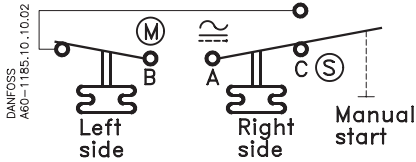
DANFOSS
A60-699.12



Caution:

Disconnect power supply before wiring connections are made or service to avoid possible electrical shock or damage to equipment. Do never touch live parts with your fingers or with any tool.

Electrical connections



Electrical ratings

AC 1: 16 A	400 V
AC 3: 16 A	
AC 15: 10 A	
DC 13: 12 W	220 V

When used acc. to UL regulations

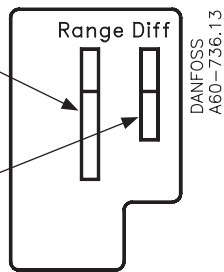
UL LISTED Listed refrigeration controller 61B5					
Voltage	FL	LR	Resist.	Pilot	
AC	DC	A	A	load	duty
240		8	48	8 A	3 A
120		16	96	16 A	
	240				12 W

Use copper wire only
Tightening torque 20 lb.in.

Setting

CONTROL side setting

1. Adjust range spindle to desired CUT-IN value
2. Adjust differential spindle to desired DIFFERENTIAL (DIFF.) value



CUT-IN equals CUT-OUT minus DIFFERENTIAL

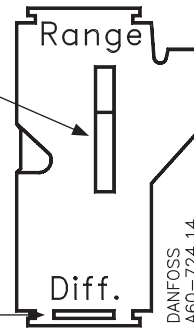
Example:

$$\text{CUT-OUT} - \text{DIFF.} = \text{CUT-IN}$$

$$8 \text{ bar (116 psi)} - 2 \text{ bar (29 psi)} = 6 \text{ bar (87 psi)}$$

SAFETY side setting

1. Adjust range spindle to desired CUT-OUT value.
2. DIFFERENTIAL (DIFF.) is fixed. Value printed on scale plate.



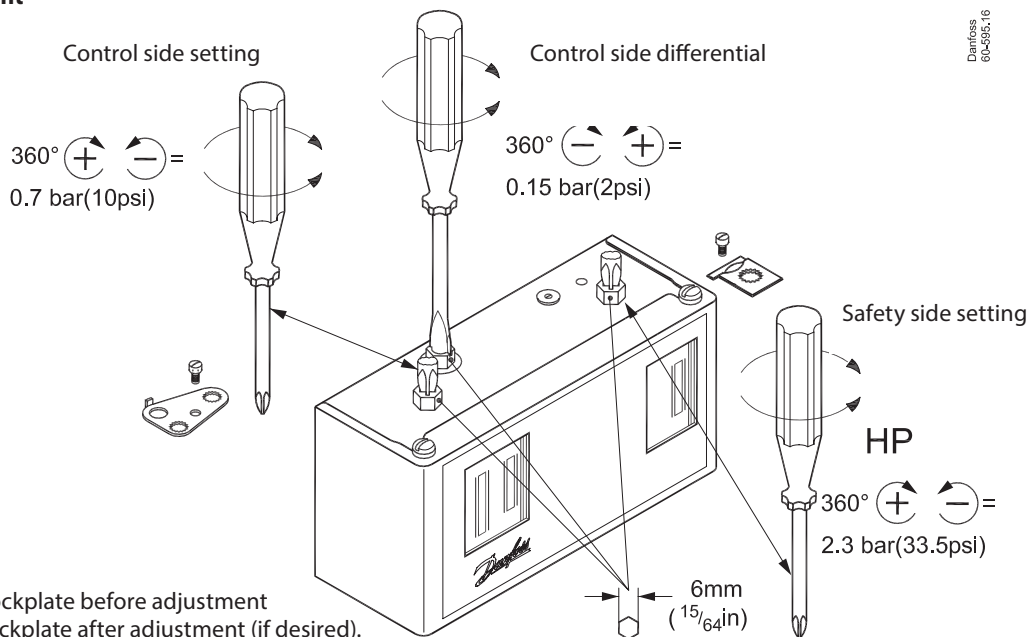
CUT-IN equals CUT-OUT plus DIFFERENTIAL

Example:

$$\text{CUT-OUT} + \text{DIFF.} = \text{CUT-IN}$$

$$4 \text{ bar (58 psi)} + 1 \text{ bar (15 psi)} = 5 \text{ bar (73 psi)}$$

Adjustment



Note:

Remove lockplate before adjustment
Replace lockplate after adjustment (if desired).