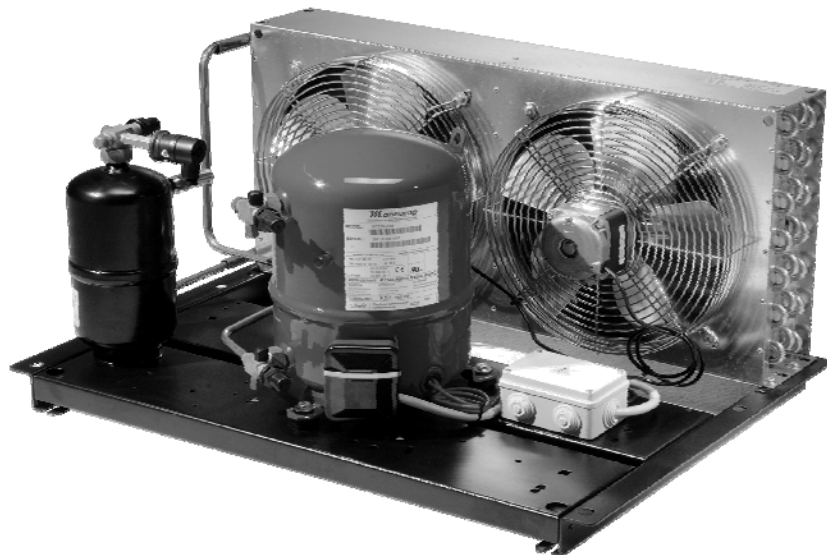
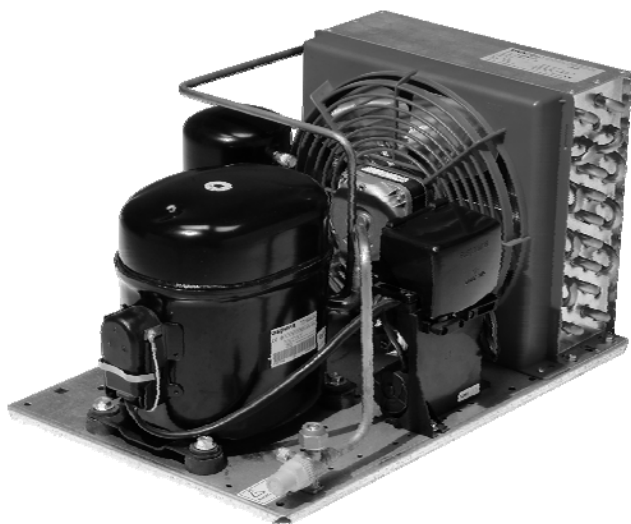


**UNITA' CONDENSATRICI**  
CONDENSING UNITS

**GROUPES DE CONDENSATION**  
VERFLÜSSIGUNGSSÄTZE



**RIVACOLD**

INDICE - INDEX - CONTENTS - INHALTSVERZEICHNIS

Unità condensatrici ad aria / Groupes de condensation par air .....	Pag.	3
Air cooled condensing units / Luftgekühlte verflüssigungssätze		
Lettura codice / Description des codes .....	Pag.	4
Model designation / Code beschreibung		
Unità condensatrici ad aria Aspera / Aspera air cooled condensing unit .....	Pag.	6
U.C. Aspera <b>R134a</b> .....	Pag.	7
U.C. Aspera <b>R404A</b> .....	Pag.	10
Unità condensatrici ad aria L' U.H. / L' U.H. air cooled condensing unit .....	Pag.	18
U.C. L' Unité Hermétique <b>R134a</b> .....	Pag.	19
U.C. L' Unité Hermétique <b>R404A</b> .....	Pag.	23
Unità condensatrici ad aria Maneurop / Maneurop air cooled condensing unit .....	Pag.	29
U.C. Maneurop <b>R404A</b> .....	Pag.	30
Unità condensatrici ad acqua / Groupes de condensation refroidi par eau .....	Pag.	32
Water cooled condensing units / Wassergekühlte verflüssigungssätze		
Unità condensatrici ad acqua Aspera / Aspera water cooled condensing units .....	Pag.	33
U.C. Aspera <b>R404A</b> .....	Pag.	34
Unità condensatrici ad acqua L' U.H. / L' U.H. water cooled condensing units .....	Pag.	40
U.C. L' Unité Hermétique <b>R404A</b> .....	Pag.	41
Unità condensatrici ad acqua Maneurop / Maneurop water cooled condensing units .....	Pag.	44
U.C. Maneurop <b>R404A</b> .....	Pag.	45



I

## UNITA' CONDENSATRICI AD ARIA

I VALORI DI RESA SONO RIFERITI A:

- AMBIENTE: +32°C,
- GAS ASPIRATO: 0°C (LBP) E +20°C (HBP),
- SOTTORAFFREDDAMENTO: 0K

LEGENDA TABELLE:

D= Mandata

S= Aspirazione

Win= Watt assorbiti alle condizioni nominali

In= Ampere assorbiti alle condizioni nominali

TUTTE LE UNITA' CONDENSATRICI RIVACOLD SONO  
PREDISPOSTE PER ESSERE CONFORMI ALLA DIRETTIVA  
97/23 CE (PED).

GB

## AIR COOLED CONDENSING UNITS

OUTPUT VALUES REFER TO:

- AMBIENT TEMP. : +32°C
- SUCTION GAS: 0°C (LBP) AND +20°C (HBP),
- SUBCOOLING: 0K

TABLE LEGEND:

D= Discharge

S= Suction

Win= Watt absorbed at nominal conditions

In= Ampere absorbed at nominal conditions

ALL RIVACOLD CONDENSING UNITS ARE PRE-ARRANGED  
TO COMPLY WITH 97/23/CE DIRECTIVE (PED).

F

## GROUPES DE CONDENSATION PAR AIR

LES VALEURS DE RENDEMENT SONT REFERES A:

- AMBIANTE : +32°C,
- GAZ ASPIRE: 0°C (LBP) ET +20°C (HBP),
- SOUS-REFROIDISSEMENT: 0K

LEGENDE DES TABLEAUX:

D= Decharge

S= Aspiration

Win= Watts absorbés aux conditions nominales

In= Ampères absorbés aux conditions nominales

TOUTES LES UNITES DE CONDENSATION RIVACOLD SONT CONÇUES DE  
FAÇON A LES CONFORMER A LA DIRECTIVE 97/23 CE (PED).

D

## LUFTGEKÜHLTE VERFLÜSSIGUNGSSÄTZE

DIE WERTE DER LEISTUNG BEZIEHEN SICH FÜR:

- RAUMTEMPERATUR: +32°C
- SAUGGAS: 0° (LBP) UND +20°C (HBP)
- UNTERKÜHLUNG: 0 K

LEGENDE:

D= Druck

S= Saug

Win= Nennleistungsaufnahme

In= Nennstromaufnahme

ALLE VERDICHTEREINHEITEN VON RIVACOLD SIND AUF EINE  
ENTSPRECHUNG DER RICHTLINIE 97/23 EG (PED) VORBEREITET.

### FATTORI DI CONVERSIONE / CONVERSION FACTORS

1W = 0,86 kcal/h

1kcal/h = 3,97 Btu/h

1CV = 0,735 kW

1kcal/h = 1,163 W

1Ton = 3030 kcal/h

1PSI = 0,0703 atm

1W = 3,41 Btu/h

1Ton = 3,516 kW

1atm = 14,22 PSI

1Btu/h = 0,293 W

1Ton = 12000 Btu/h

1bar = 10<sup>5</sup> Pa

1Btu/h = 0,252 kcal/h

1kW = 1,36 CV

1kPa = 0,102 mH<sub>2</sub>O

P -	L	U	C	N	2	6	U	T	W	A
0	1	2	3	4	5	6	7	8		

Lettura codice "A"  
Model designation "A"

0	Conformità <i>Conformity</i>	P- = Unità condensatrice conforme alla Direttiva 97/23 CE (P.E.D.) <i>P- = Condensing unit 97/23 CE (P.E.D.) compliant</i>
1	Applicazione <i>Application</i>	H=Alta Temperatura - <i>High temperature</i> L=Bassa Temperatura - <i>Low temperature</i>
2	Tipologia macchina <i>Machine type</i>	UC=espansione a valvola con 1 motoventilatore <i>valve expansion with one fan motor</i> UCC=espansione a capillare con 1 motoventilatore <i>capillary expansion with one fan motor</i> UCE=espansione a valvola con 2 motoventilatori <i>valve expansion with two fan motors</i>
3	Refrigerante <i>Refrigerant</i>	N=R404A Y=R134a
4	Cilindrata compressore <i>Compressor displacement</i>	cm <sup>3</sup>
5	Marca compressore <i>Compressor brand</i>	A=Aspera U=L'Unité Hermétique
6	Tensione <i>Voltage</i>	T = 400/3/50
7	Condensazione <i>Condesation</i>	W=condensazione ad acqua - <i>condensation by water</i>
8	Varianti <i>Variations</i>	A=con valvola acqua e pressostato montati (optional) <i>A=with water valve and pressure switch fitted (optional)</i>

P -	H	A	0	0	4	Z	1	0	2	1
0	1	2	3	4	5	6	7			

Lettura codice "B"  
Model designation "B"

0	Conformità <i>Conformity</i>	P- = Unità condensatrice conforme alla Direttiva 97/23 CE (P.E.D.) <i>P- = Condensing unit 97/23 CE (P.E.D.) compliant</i>
1	Applicazione <i>Application</i>	H=Alta Temperatura - <i>High temperature</i> L=Bassa Temperatura - <i>Low temperature</i>
2	Marca compressore <i>Compressor brand</i>	A=Aspera U=L'Unité Hermétique
3	Cilindrata compressore <i>Compressor displacement</i>	cm <sup>3</sup>
4	Refrigerante <i>Refrigerant</i>	Z=R404A Y=R134a
5	Condensazione <i>Condesation</i>	1 = Ad aria con 1 motoventilatore - <i>by air with one fan motor</i> 2 = Ad aria con 2 motoventilatori - <i>by air with two fan motors</i> W = Ad acqua - <i>by water</i>
6	Espansione e varianti <i>Expansion and variations</i>	00=Espansione a capillare - <i>capillary expansion</i> 01=Espansione a valvola - <i>valve expansion</i> 04=Espansione a valvola con compressore NEK <i>Valve expansion with NEK compressor</i> 05=Espansione a capillare con compressore NEK <i>Capillary expansion with NEK compressor</i> A0=Espansione a capillare con valvola acqua e pressostato montati (optional) <i>Capillary expansion with water valve and pressure switch fitted (optional)</i> A1=Espansione a valvola con valvola acqua e pressostato montati (optional) <i>Valve expansion with water valve and pressure switch fitted (optional)</i>
7	Voltaggio <i>Voltage</i>	1=230/1/50 2=400/3/50

**Note :** Tutte le unità monofase di cat. PED 0, sono cablate e fornite con cavo di alimentazione (L = 1,5m).  
All single-phase condensing units ( PED 0 category compliant) are wired and equipped with main supply cable (L = 1,5m)

P -	M	U	C	Y	1	0	7	T	W
0	1	2	3	4	5	6			

Lettura codice "C"  
Model designation "C"

0	Conformità <i>Conformity</i>	P- = Unità condensatrice conforme alla Direttiva 97/23 CE (P.E.D.) <i>P- = Condensing unit 97/23 CE (P.E.D.) compliant</i>
1	Applicazione <i>Application</i>	M=Alta temperatura, compressore Maneurop <i>M=High temperature, Maneurop compressor</i>
2	Espansione <i>Expansion</i>	UC = espansione a valvola - <i>valve expansion</i>
3	Refrigerante <i>Refrigerant</i>	Y=R404A
4	Cilindrata <i>Displacement</i>	cm <sup>3</sup>
5	Tensione <i>Voltage</i>	T = 400/3/50
6	Condensazione <i>Condesation</i>	W = Condensazione ad acqua - <i>condensation by water</i>

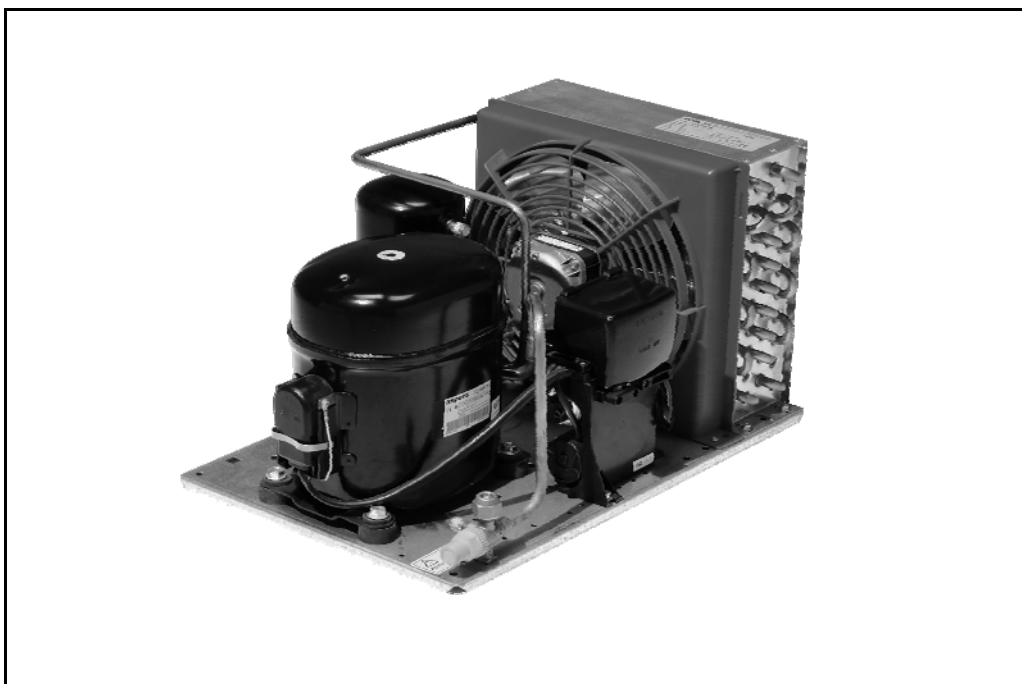
P -	L	U	C	N	2	8	M	T	W
0	1	2	3	4	5	6	7		

Lettura codice "D"  
Model designation "D"

0	Conformità <i>Conformity</i>	P- = Unità condensatrice conforme alla Direttiva 97/23 CE (P.E.D.) <i>P- = Condensing unit 97/23 CE (P.E.D.) compliant</i>
1	Applicazione <i>Application</i>	L=Bassa temperatura - <i>low temperature</i>
2	Espansione <i>Expansion</i>	UC=espansione a valvola - <i>valve expansion</i>
3	Refrigerante <i>Refrigerant</i>	N=R404A
4	Tipo compressore <i>Compressor type</i>	28=LTZ28
5	Marca compressore <i>Compressor brand</i>	M=Maneurop
6	Tensione <i>Voltage</i>	T = 400/3/50
7	Condensazione <i>Condesation</i>	W=condensazione ad acqua - <i>condensation by water</i>

**Note :** Tutte le unità monofase di cat. PED 0, sono cablate e fornite con cavo di alimentazione (L = 1,5m).  
*All single-phase condensing units ( PED 0 category compliant) are wired and equipped with main supply cable (L = 1,5m)*

**UNITÀ CONDENSATRICE AD ARIA CON COMPRESSORE ASPERA**  
**AIR COOLED CONDENSING UNIT WITH ASPERA COMPRESSOR**



**CODE: LUCN17A**

	L	U	C	N	1	7	A			
0	1	2	3	4	5	6	7	8		

0	Conformità <i>Conformity</i>	CAT = 0
1	Applicazione <i>Application</i>	L=Bassa Temperatura - <i>Low temperature</i>
2	Tipologia macchina <i>Machine type</i>	UC=espansione a valvola con 1 motoventilatore <i>valve expansion with one fan motor</i>
3	Refrigerante <i>Refrigerant</i>	N=R404A
4	Cilindrata compressore <i>Compressor displacement</i>	17 cm <sup>3</sup>
5	Marca compressore <i>Compressor brand</i>	A=Aspera
6	Tensione <i>Voltage</i>	230/1/50
7	Condensazione <i>Condensation</i>	condensazione ad aria - <i>condensation by air</i>
8	Varianti <i>Variations</i>	

R134a	VOLT		COMPRESSOR			POWER CONSUMPTION		TUBES		U.C. DIMENSIONS			PERFORMANCE ( W )					CAT PED
	230/150 400/350	HP	MODEL	cm <sup>3</sup>	Win	In	D	S	A	B	H	EVAPORATING TEMP. (°C)						
					watt	A						mm	mm	mm	mm	mm	mm	

**CONDENSAZIONE AD ARIA, ESPANSIONE A VALVOLA, COMPRESSORE ASPERA, SERIE A UN VENTILATORE, PER MEDIA E ALTA TEMPERATURA**

AIR CONDENSING UNITS, VALVE EXPANSION, ASPERA COMPRESSOR, ONE FAN-MOTOR RANGE, FOR MEDIUM AND HIGH TEMPERATURE

**GROUPES DE CONDENSATION PAR AIR, EXPANSION A VANNE, COMPRESSEUR ASPERA, SERIE A UN VENTILATEUR, POUR MOYENNE ET HAUTE TEMPERATURE**

LUFTGEKÜHLTE VERFLÜSSIGUNGSSÄTZE EXPANSION MIT VENTIL, ASPERA VERDICHTER, REIHE MIT EINEM LÜFTER FÜR MITTLERE UND HOHE TEMPERATUR

HUCY06A <sup>1</sup>	x	1/6+	NB6144Z	5,90	221	1,5	6	10	420	300	225	448	385	325	270	220	0
HUCY08A <sup>1</sup>	x	1/4	NE6160Z	8,00	230	1,7	6	10	450	300	270	579	484	394	315	255	0
HUCY09A <sup>1</sup>	x	1/4+	NE6170Z	8,78	260	1,8	6	10	450	300	270	705	591	485	390	311	0
HUCY12A <sup>1</sup>	x	1/3+	NE6187Z	12,00	371	2,6	6	10	480	330	295	926	788	657	537	431	0
HUCY14A <sup>1</sup>	x	1/2-	NE6210Z	13,50	403	2,6	6	10	480	330	295	1068	904	749	610	490	0
HUCY17A	x	1/2+	T6213Z	17,40	498	3,6	6	10	500	330	292	1249	1055	866	682	499	0
HUCY20A	x	3/4	T6215Z	20,40	591	4,2	6	10	490	385	297	1468	1239	1015	813	646	0
HUCY26A	x	1	J6220Z	26,20	728	5,1	10	12	490	385	345	2042	1729	1413	1126	894	0
HUCY26AT	x	1	J6220ZX	26,20	728	1,7	10	12	490	385	345	2042	1729	1413	1126	894	0
HUCY34A	x	1,25	J6226Z	34,37	915	4,8	10	12	490	430	372	2338	2050	1763	1494	1257	0
HUCY34AT	x	1,25	J6226ZX	34,37	915	2,5	10	12	490	430	372	2338	2050	1763	1494	1257	0

**Note 1:** Modello in eliminazione - sostituito con la corrispondente unità con compressore NEK  
Phasing out model - model to be replaced by equivalent condensing unit with NEK compressor

Letture codice "A" - pag. 4  
Model designation "A" - page 4

**CONDENSAZIONE AD ARIA, ESPANSIONE A VALVOLA, COMPRESSORE ASPERA NEK, SERIE A UN VENTILATORE, PER MEDIA E ALTA TEMPERATURA**

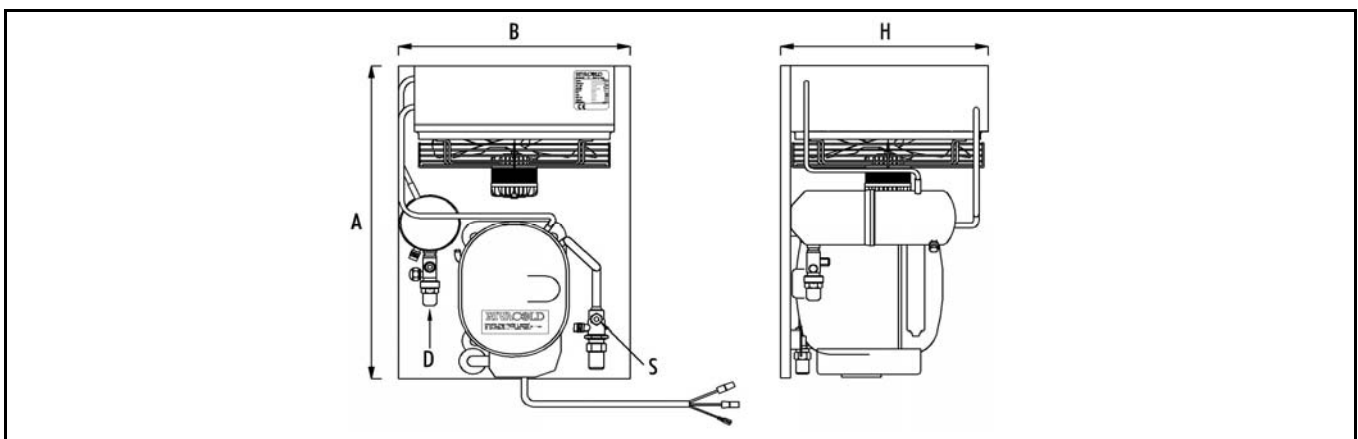
AIR CONDENSING UNITS, VALVE EXPANSION, NEK ASPERA COMPRESSOR, ONE FAN-MOTOR RANGE, FOR MEDIUM AND HIGH TEMPERATURE

**GROUPES DE CONDENSATION PAR AIR, EXPANSION A VANNE, COMPRESSEUR ASPERA NEK, SERIE A UN VENTILATEUR, POUR MOYENNE ET HAUTE TEMPERATURE**

LUFTGEKÜHLTE VERFLÜSSIGUNGSSÄTZE, EXPANSION MIT VENTIL, NEK ASPERA VERDICHTER, REIHE MIT EINEM LÜFTER FÜR MITTLERE UND HOHE TEMPERATUR

HA006Y1041	x	1/5	NEK5144Z	5,50	204	1,4	6	10	420	300	225	452	383	319	263	216	0
HA007Y1041	x	1/4	NEK6160Z	7,30	251	1,9	6	10	450	300	270	598	508	424	349	286	0
HA008Y1041	x	1/4+	NEK6170Z	8,40	281	2,0	6	10	450	300	270	711	605	507	420	344	0
HA010Y1041	x	1/3+	NEK6187Z	10,00	323	2,4	6	10	480	330	295	882	739	611	499	406	0
HA012Y1041	x	1/2-	NEK6210Z	12,10	370	2,5	6	10	480	330	295	1032	875	729	599	493	0
HA014Y1041	x	1/2	NEK6212Z	14,30	463	3,3	6	10	480	330	295	1133	963	806	669	552	0

Letture codice "B" - pag. 4  
Model designation "B" - page 4



R134a	VOLT		COMPRESSOR			POWER CONSUMPTION		TUBES		U.C. DIMENSIONS			PERFORMANCE (W)					CAT PED
	230/1/50	400/3/50	HP	MODEL	cm <sup>3</sup>	Win	In	D	S	A	B	H	EVAPORATING TEMP. (°C)					
MODEL				ASPERA		watt	A	mm	mm	mm	mm	mm	5	0	-5	-10	-15	

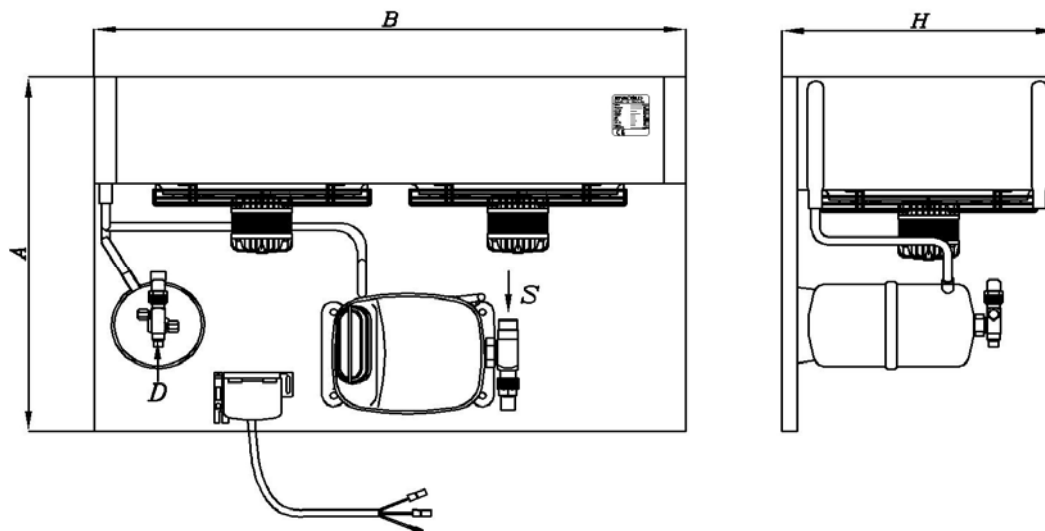
**CONDENSAZIONE AD ARIA, ESPANSIONE A VALVOLA, COMPRESSORE ASPERA, SERIE A DUE VENTILATORE, PER MEDIA E ALTA TEMPERATURA**

AIR CONDENSING UNITS, VALVE EXPANSION, ASPERA COMPRESSOR, TWO FAN-MOTOR RANGE, FOR MEDIUM AND HIGH TEMPERATURE

**GROUPES DE CONDENSATION PAR AIR, EXPANSION A VANNE, COMPRESSEUR ASPERA, SERIE A DEUX VENTILATEUR, POUR MOYENNE ET HAUTE TEMPERATURE**

LUFTGEKÜHLTE VERFLÜSSIGUNGSSÄTZE, EXPANSION MIT VENTIL, ASPERA VERDICHTER, REIHE MIT ZWEI LÜFTER FÜR MITTLERE UND HOHE TEMPERATUR

HUCEY17A	x	1/2+	T6213Z	17,40	501	3,5	6	12	490	700	320	1324	1110	903	704	509	0
HUCEY20A	x	3/4	T6215Z	20,40	594	4,2	6	12	490	700	320	1524	1277	1041	830	659	0
HUCEY26A	x	1	J6220Z	26,20	731	5,1	10	12	490	700	346	2187	1825	1479	1177	939	0
HUCEY26AT	x	3/4	J6220ZX	26,20	731	1,7	10	12	490	700	346	2187	1825	1479	1177	939	0
HUCEY34A	x	1,25	J6226Z	34,37	896	4,6	10	12	490	700	346	2603	2259	1928	1628	1369	0
HUCEY34AT	x	1,25	J6226ZX	34,37	896	2,3	10	12	490	700	346	2603	2259	1928	1628	1369	0





R134a	VOLT		COMPRESSOR			POWER CONSUMPTION		TUBES		U.C. DIMENSIONS			PERFORMANCE (W)					CAT PED
	230/1/50	400/3/50	HP	MODEL	cm <sup>3</sup>	Win	In	D	S	A	B	H	EVAPORATING TEMP. (°C)					
MODEL				ASPERA		watt	A	mm	mm	mm	mm	mm	5	0	-5	-10	-15	

**CONDENSAZIONE AD ARIA, ESPANSIONE A CAPILLARE, COMPRESSORE ASPERA, SERIE A UN VENTILATORE, PER MEDIA E ALTA TEMPERATURA**

AIR CONDENSING UNITS, CAPILLARY EXPANSION, ASPERA COMPRESSOR, ONE FAN-MOTOR RANGE, FOR MEDIUM AND HIGH TEMPERATURE

**GROUPES DE CONDENSATION PAR AIR, EXPANSION A CAPILLAIRE, COMPRESSEUR ASPERA, SERIE A UN VENTILATEUR, POUR MOYENNE ET HAUTE TEMPERATURE**

LUFTGEKÜHLTE VERFLÜSSIGUNGSSÄTZE, EXPANSION MIT KAPILLARROHR, ASPERA VERDICHTER, REIHE MIT EINEM LÜFTER FÜR MITTLERE UND HOHE TEMPERATUR

HUCCY06A <sup>1</sup>	x	1/6+	NB6144Z	5,90	221	1,5	6	10	420	300	225	448	385	325	270	220	0
HUCCY08A <sup>1</sup>	x	1/4	NE6160Z	8,00	230	1,7	6	10	450	300	270	579	484	394	315	255	0
HUCCY09A <sup>1</sup>	x	1/4+	NE6170Z	8,78	260	1,8	6	10	450	300	270	705	591	485	390	311	0
HUCCY12A <sup>1</sup>	x	1/3+	NE6187Z	12,00	371	2,6	6	10	480	330	295	926	788	657	537	431	0
HUCCY14A <sup>1</sup>	x	1/2-	NE6210Z	13,50	403	2,6	6	10	480	330	295	1068	904	749	610	490	0
HUCCY17A	x	1/2+	T6213Z	17,40	498	3,6	6	10	500	330	292	1249	1055	866	682	499	0
HUCCY20A	x	3/4	T6215Z	20,40	591	4,2	6	10	490	385	297	1468	1239	1015	813	646	0
HUCCY26A	x	1,00	J6220Z	26,20	728	5,1	10	12	490	385	345	2042	1729	1413	1126	894	0
HUCCY34A	x	1,25	J6226Z	34,37	915	4,8	10	12	490	430	372	2338	2050	1763	1494	1257	0

**Note 1:** Modello in eliminazione - sostituito con la corrispondente unità con compressore NEK  
Phasing out model - model to be replaced by equivalent condensing unit with NEK compressor

Lettura codice "A" - pag. 4  
Code description "A" - page 4

**CONDENSAZIONE AD ARIA, ESPANSIONE A CAPILLARE, COMPRESSORE ASPERA NEK, SERIE A UN VENTILATORE, PER MEDIA E ALTA TEMPERATURA**

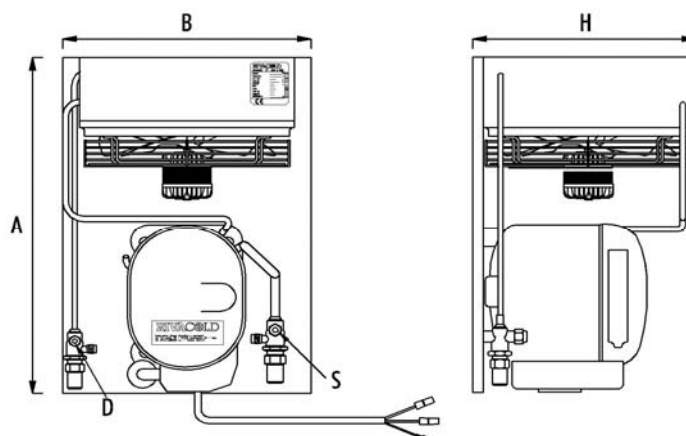
AIR CONDENSING UNITS, CAPILLARY EXPANSION, NEK ASPERA COMPRESSOR, ONE FAN-MOTOR RANGE FOR MEDIUM AND HIGH TEMPERATURE

**GROUPES DE CONDENSATION PAR AIR, EXPANSION A CAPILLAIRE, COMPRESSEUR ASPERA NEK, SERIE A UN VENTILATEUR, POUR MOYENNE ET HAUTE TEMPERATURE**

LUFTGEKÜHLTE VERFLÜSSIGUNGSSÄTZE, EXPANSION MIT KAPILLARROHR, NEK ASPERA VERDICHTER, REIHE MIT EINEM LÜFTER FÜR MITTLERE UND HOHE TEMPERATUR

HA006Y1051	x	1/5	NEK5144Z	5,50	204	1,4	6	10	420	300	225	452	383	319	263	216	0
HA007Y1051	x	1/4	NEK6160Z	7,30	251	1,9	6	10	450	300	270	598	508	424	349	286	0
HA008Y1051	x	1/4+	NEK6170Z	8,40	281	2,0	6	10	450	300	270	711	605	507	420	344	0
HA010Y1051	x	1/3+	NEK6187Z	10,00	323	2,4	6	10	480	330	295	882	739	611	499	406	0
HA012Y1051	x	1/2-	NEK6210Z	12,10	370	2,5	6	10	480	330	295	1032	875	729	599	493	0
HA014Y1051	x	1/2-	NEK6212Z	14,30	463	3,3	6	10	480	330	295	1133	963	806	669	552	0

Lettura codice "B" - pag. 4  
Model designation "B" - page 4



R404A	VOLT	COMPRESSOR			POWER CONSUMPTION		TUBES		U.C. DIMENSIONS			PERFORMANCE ( W )					CAT PED
		HP	MODEL	cm <sup>3</sup>	Win	In	D	S	A	B	H	EVAPORATING TEMP. (°C)					
MODEL	230/1/50 400/3/50		ASPERA		watt	A	mm	mm	mm	mm	mm	0	-5	-10	-15	-20	

**CONDENSAZIONE AD ARIA, ESPANSIONE A VALVOLA, COMPRESSORE ASPERA, SERIE A UN VENTILATORE, PER MEDIA E ALTA TEMPERATURA**

AIR CONDENSING UNITS, VALVE EXPANSION, ASPERA COMPRESSOR, ONE VENTILATOR RANGE, FOR MEDIUM AND HIGH TEMPERATURE

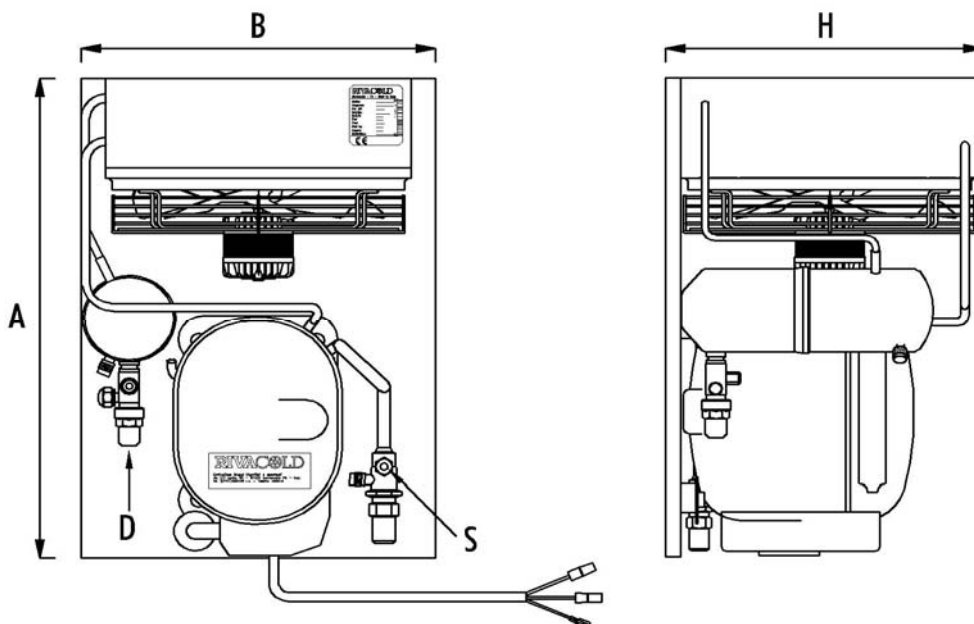
**GROUPES DE CONDENSATION PAR AIR, EXPANSION A VANNE, COMPRESSEUR ASPERA, SERIE A UN VENTILATEUR, POUR MOYENNE ET HAUTE TEMPERATURE**

LUFTGEKÜHLTE VERFLÜSSIGUNGSSÄTZE, EXPANSION MIT VENTIL, ASPERA VERDICHTER, REIHE MIT EINEM LÜFTER FÜR MITTLERE UND HOHE TEMPERATUR

HA004Z1011 <sup>1</sup>	x	1/4	NB6144GK	4,51	276	2,0	6	10	450	300	270	444	379	319	263	213	0
HA005Z1011 <sup>2</sup>	x	1/4	NB6152GK	5,02	315	2,2	6	10	450	300	270	520	441	369	305	253	0
HA006Z1011 <sup>1</sup>	x	1/4+	NB6165GK	6,06	385	2,6	6	10	480	330	295	641	546	459	380	314	0
HA007Z1011 <sup>1</sup>	x	1/3	NE6181GK	7,38	362	2,6	6	10	480	330	295	749	630	519	418	329	0
HA009Z1011 <sup>1</sup>	x	1/2-	NE6210GK	8,79	451	2,8	6	10	480	330	295	885	754	629	512	407	0
HA012Z1011 <sup>1</sup>	x	3/4	NE9213GK	12,10	624	3,1	6	10	500	330	292	1230	1060	896	740	598	0
HA015Z1011	x	3/4+	T6217GK	14,50	784	4,7	6	12	490	385	297	1341	1159	979	800	626	0
HA017Z1011	x	1-	T6220GK	17,40	905	4,5	6	12	490	385	345	1579	1365	1156	952	754	0
HA020Z1011	x	1	T6222GK	20,40	998	4,7	10	12	490	385	345	2019	1744	1477	1222	990	0
HA021Z1011	x	1+	J9226GK	21,70	1032	4,5	10	12	490	385	345	2248	1933	1625	1338	1083	0
HA021Z1012	x	1	J9226GS	21,70	1032	2,1	10	12	490	385	345	2248	1933	1625	1338	1083	0
HA026Z1011	x	1,25	J9232GK	26,20	1265	6,0	10	12	490	430	372	2636	2271	1915	1578	1282	0
HA026Z1012	x	1,25	J9232GS	26,20	1265	2,4	10	12	490	430	372	2636	2271	1915	1578	1282	0
HA032Z1011	x	1,5	J9238GK	32,70	1623	7,5	10	12	630	530	450	3702	3176	2681	2212	1783	0
HA032Z1012	x	1,5	J9238GS	32,70	1623	3,5	10	12	630	530	450	3702	3176	2681	2212	1783	0

**Note 1:** Modello in eliminazione - sostituito con la corrispondente unità con compressore NEK  
Phasing out model - model to be replaced by equivalent condensing unit with NEK compressor

**Note 2:** Modello in eliminazione - disponibile fino ad esaurimento scorte  
Phasing out model - available till stock exipancy



Letture codice "B" - pag. 4  
Model designation "B" - page 4

R404A	VOLT		COMPRESSOR			POWER CONSUMPTION		TUBES		U.C. DIMENSIONS			PERFORMANCE (W)					CAT PED
	230/1/50	400/3/50	HP	MODEL	cm <sup>3</sup>	Win	In	D	S	A	B	H	EVAPORATING TEMP. (°C)					
MODEL				ASPERA		watt	A	mm	mm	mm	mm	mm	0	-5	-10	-15	-20	

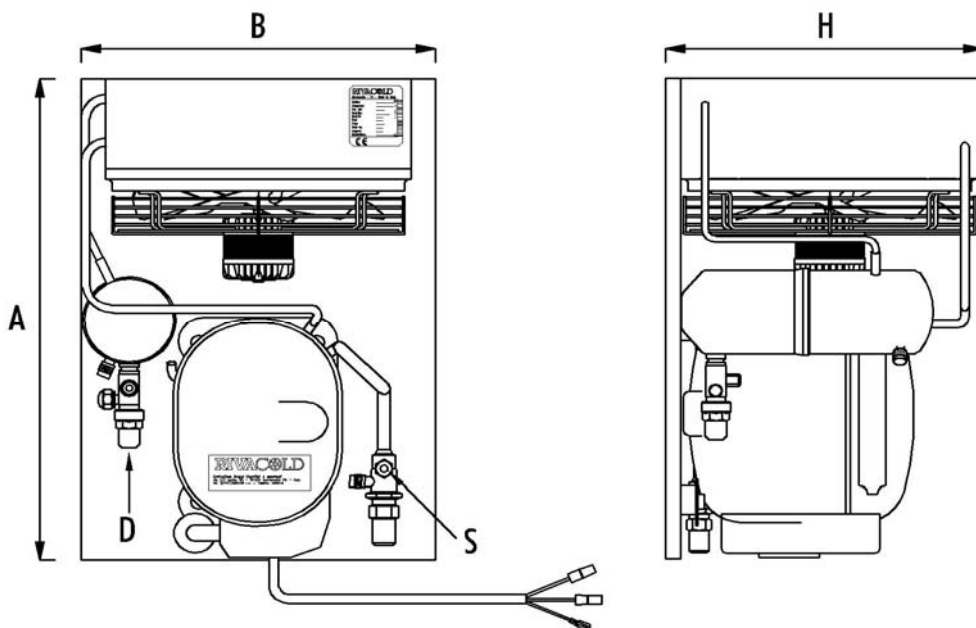
**CONDENSAZIONE AD ARIA, ESPANSIONE A VALVOLA, COMPRESSORE ASPERA NEK, SERIE A UN VENTILATORE, PER MEDIA E ALTA TEMPERATURA**

AIR CONDENSING UNITS, VALVE EXPANSION, NEK ASPERA COMPRESSOR, ONE FAN-MOTOR RANGE, FOR MEDIUM AND HIGH TEMPERATURE

**GROUPES DE CONDENSATION PAR AIR, EXPANSION A VANNE, COMPRESSEUR ASPERA NEK, SERIE A UN VENTILATEUR, POUR MOYENNE ET HAUTE TEMPERATURE**

LUFTGEKÜHLTE VERFLÜSSIGUNGSSÄTZE, EXPANSION MIT VENTIL, NEK ASPERA VERDICHTER, REIHE MIT EINEM LÜFTER FÜR MITTLERE UND HOHE TEMPERATUR

HA004Z1041	x	1/4	NEK6144GK	4,50	274	1,7	6	10	450	300	270	514	443	380	326	282	0
HA006Z1041	x	1/3	NEK6165GK	6,20	382	2,3	6	10	480	330	295	761	651	557	477	417	0
HA007Z1041	x	1/3+	NEK6181GK	7,30	415	2,7	6	10	480	330	295	838	717	608	511	430	0
HA009Z1041	x	1/2	NEK6210GK	8,80	486	2,9	6	10	480	330	295	978	842	721	618	535	0
HA012Z1041	x	1/2+	NEK6213GK	12,10	760	4,8	6	10	500	330	297	1251	1084	934	799	677	0



R404A  MODEL	VOLT		COMPRESSOR			POWER CONSUMPTION		TUBES		U.C. DIMENSIONS			PERFORMANCE (W)					CAT PED
	230/1/50 400/3/50	HP	MODEL	cm <sup>3</sup>	Win watt	In A	D mm	S mm	A mm	B mm	H mm	EVAPORATING TEMP. (°C)						
												0	-5	-10	-15	-20		

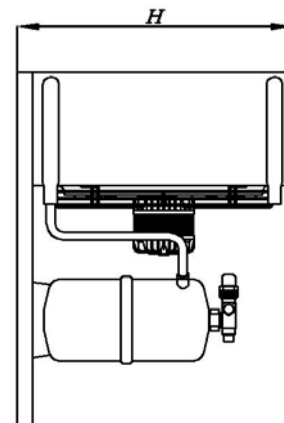
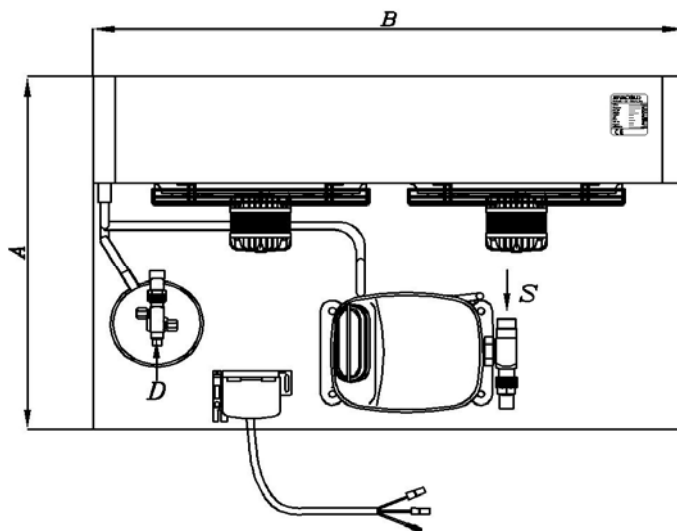
CONDENSAZIONE AD ARIA, ESPANSIONE A VALVOLA,  
COMPRESSORE ASPERA, SERIE A DUE VENTILATORI,  
PER MEDIA E ALTA TEMPERATURA

AIR CONDENSING UNITS, VALVE EXPANSION, ASPERA COMPRESSOR,  
TWO FAN-MOTOR RANGE, FOR MEDIUM AND HIGH TEMPERATURE

GROUPES DE CONDENSATION PAR AIR, EXPANSION A VANNE,  
COMPRESSEUR ASPERA, SERIE A DEUX VENTILATEURS,  
POUR MOYENNE ET HAUTE TEMPERATURE

LUFTGEKÜHLTE VERFLÜSSIGUNGSSÄTZE, EXPANSION MIT  
VENTIL, ASPERA VERDICHTER, REIHE MIT ZWEI LÜFTER  
FÜR MITTLERE UND HOHE TEMPERATUR

HA012Z2011	x	3/4	NE9213GK	12,00	627	3,0	6	10	490	700	320	1302	1114	935	768	618	0
HA015Z2011	x	3/4+	T6217GK	14,51	787	4,6	6	10	490	700	320	1402	1206	1013	823	641	0
HA017Z2011	x	1-	T6220GK	17,40	908	4,4	10	12	490	700	346	1788	1527	1278	1038	811	0
HA020Z2011	x	1-	T6222GK	20,40	994	4,8	10	12	490	700	346	2056	1772	1497	1237	1000	0
HA021Z2011	x	1+	J9226GK	21,70	1028	4,6	10	12	490	700	346	2291	1965	1648	1354	1095	0
HA021Z2012	x	1+	J9226GS	21,70	1028	2,2	10	12	490	700	346	2291	1965	1648	1354	1095	0
HA026Z2011	x	1,25	J9232GK	26,20	1375	7,0	10	12	560	800	398	2967	2513	2088	1701	1369	0
HA026Z2012	x	1,25	J9232GS	26,20	1375	3,5	10	12	560	800	398	2967	2513	2088	1701	1369	0
HA032Z2011	x	1,5	J9238GK	32,70	1653	7,6	10	12	560	800	398	3667	3150	2661	2198	1774	0
HA032Z2012	x	1,5	J9238GS	32,70	1653	3,6	10	12	560	800	398	3667	3150	2661	2198	1774	0



R404A MODEL	VOLT		COMPRESSOR			POWER CONSUMPTION		TUBES		U.C. DIMENSIONS			PERFORMANCE (W)					CAT PED
	230/1/50	400/3/50	HP	MODEL ASPERA	cm <sup>3</sup>	Win	In	D	S	A	B	H	EVAPORATING TEMP. (°C)					
						watt	A	mm	mm	mm	mm	mm	0	-5	-10	-15	-20	

**CONDENSAZIONE AD ARIA, ESPANSIONE A CAPILLARE, COMPRESSORE ASPERA, SERIE A UN VENTILATORE, PER MEDIA E ALTA TEMPERATURA**

AIR CONDENSING UNITS, CAPILLARY EXPANSION, ASPERA COMPRESSOR, ONE FAN-MOTOR RANGE, FOR MEDIUM AND HIGH TEMPERATURE

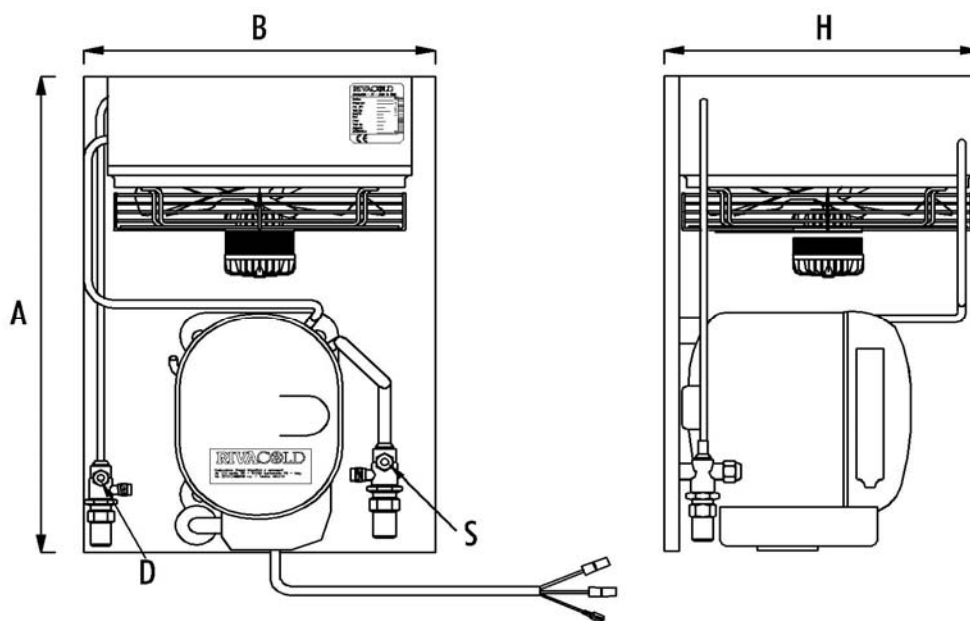
**GROUPES DE CONDENSATION PAR AIR, EXPANSION A CAPILLAIRE, COMPRESSEUR ASPERA, SERIE A UN VENTILATEUR, POUR MOYENNE ET HAUTE TEMPERATURE**

LUFTGEKÜHLTE VERFLÜSSIGUNGSSÄTZE, EXPANSION MIT KAPILLARROHR, ASPERA VERDICHTER, REIHE MIT EINEM LÜFTER FÜR MITTLERE UND HOHE TEMPERATUR

HA004Z1001 <sup>1</sup>	x	1/4	NB6144GK	4,51	276	2,0	6	10	450	300	270	444	379	319	263	213	0
HA005Z1001 <sup>2</sup>	x	1/4	NB6152GK	5,02	315	2,2	6	10	450	300	270	520	441	369	305	253	0
HA006Z1001 <sup>1</sup>	x	1/4+	NB6165GK	6,06	385	2,6	6	10	480	330	295	641	546	459	380	314	0
HA007Z1001 <sup>1</sup>	x	1/3	NE6181GK	7,38	362	2,6	6	10	480	330	295	749	630	519	418	329	0
HA009Z1001 <sup>1</sup>	x	1/2-	NE6210GK	8,79	451	2,8	6	10	480	330	295	885	754	629	512	407	0
HA012Z1001 <sup>1</sup>	x	3/4	NE9213GK	12,10	624	3,1	6	10	500	330	292	1230	1060	896	740	598	0
HA015Z1001	x	3/4+	T6217GK	14,51	784	4,7	6	12	490	385	297	1341	1159	979	800	626	0
HA017Z1001	x	1-	T6220GK	17,40	905	4,5	6	12	490	385	345	1579	1365	1156	952	754	0
HA020Z1001	x	1	T6222GK	20,40	998	4,7	10	12	490	385	345	2019	1744	1477	1222	990	0
HA021Z1001	x	1+	J9226GK	21,70	1032	4,5	10	12	490	385	345	2248	1933	1625	1338	1083	0
HA021Z1002	x	1+	J9226GS	21,70	1032	2,1	10	12	490	385	345	2248	1933	1625	1338	1083	0
HA026Z1001	x	1,25	J9232GK	26,20	1265	6,0	10	12	490	430	372	2636	2271	1915	1578	1282	0
HA026Z1002	x	1,25	J9232GS	26,20	1265	2,4	10	12	490	430	372	2636	2271	1915	1578	1282	0
HA032Z1001	x	1,5	J9238GK	32,70	1623	7,5	10	12	630	530	450	3702	3176	2681	2212	1783	0
HA032Z1002	x	1,5	J9238GS	32,70	1623	3,5	10	12	630	530	450	3702	3176	2681	2212	1783	0

**Note 1:** Modello in eliminazione - sostituito con la corrispondente unità con compressore NEK  
Phasing out model - model to be replaced by equivalent condensing unit with NEK compressor

**Note 2:** Modello in eliminazione - disponibile fino ad esaurimento scorte  
Phasing out model - available till stock expiry



Lettura codice "B" - pag. 4  
Model designation "B" - page 4

R404A	VOLT		COMPRESSOR			POWER CONSUMPTION		TUBES		U.C. DIMENSIONS			PERFORMANCE ( W )					CAT PED
	230/1/50	400/3/50	HP	MODEL ASPERA	cm <sup>3</sup>	Win watt	In A	D mm	S mm	A mm	B mm	H mm	EVAPORATING TEMP. (°C)					
MODEL													0	-5	-10	-15	-20	

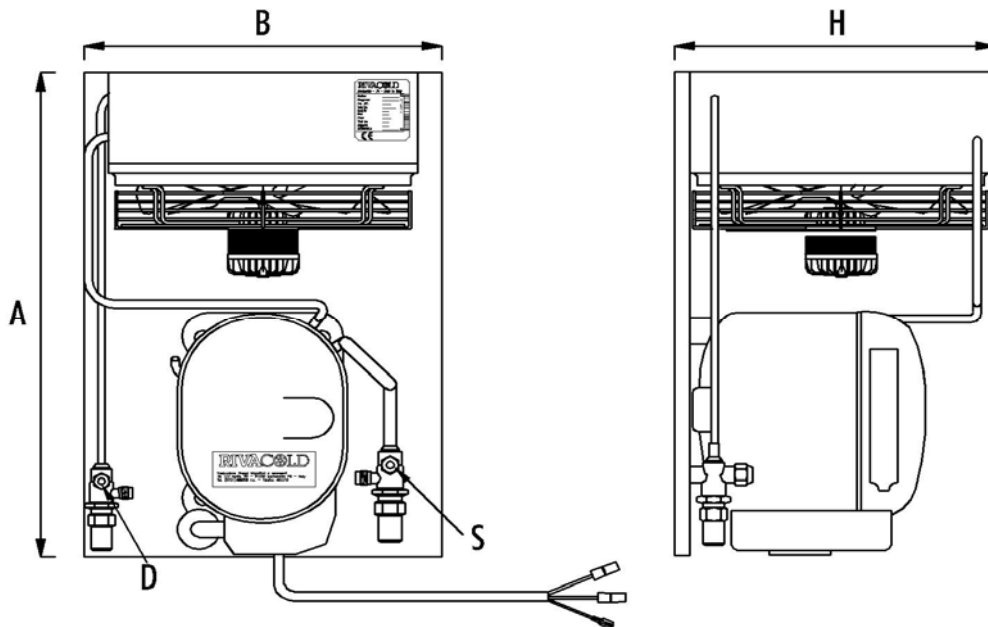
**CONDENSAZIONE AD ARIA, ESPANSIONE A CAPILLARE, COMPRESSORE ASPERA NEK, SERIE A UN VENTILATORE, PER MEDIA E ALTA TEMPERATURA**

AIR CONDENSING UNITS, CAPILLARY EXPANSION, NEK ASPERA COMPRESSOR, ONE FAN-MOTOR RANGE, FOR MEDIUM AND HIGH TEMPERATURE

**GROUPES DE CONDENSATION PAR AIR, EXPANSION A CAPILLAIRE, COMPRESSEUR ASPERA NEK, SERIE A UN VENTILATEUR, POUR MOYENNE ET HAUTE TEMPERATURE**

LUFTGEKÜHLTE VERFLÜSSIGUNGSSÄTZE EXPANSION MIT KAPILLARROHR, NEK ASPERA VERDICHTER, REIHE MIT EINEM LÜFTER FÜR MITTLERE UND HOHE TEMPERATUR

HA004Z1051	x	1/4	NEK6144GK	4,50	274	1,7	6	10	450	300	270	514	443	380	326	282	0
HA006Z1051	x	1/3	NEK6165GK	6,20	382	2,3	6	10	480	330	295	761	651	557	477	417	0
HA007Z1051	x	1/3+	NEK6181GK	7,30	415	2,7	6	10	480	330	295	838	717	608	511	430	0
HA009Z1051	x	1/2	NEK6210GK	8,80	486	2,9	6	10	480	330	295	978	842	721	618	535	0
HA012Z1051	x	1/2+	NEK6213GK	12,10	760	4,8	6	10	500	330	297	1251	1084	934	799	677	0



Letture codice "B" - pag. 4  
Model designation "B" - page 4

R404A	VOLT		COMPRESSOR			POWER CONSUMPTION		TUBES		U.C. DIMENSIONS			PERFORMANCE ( W )					CAT PED
	230/1/50	400/3/50	HP	MODEL	cm <sup>3</sup>	Win	In	D	S	A	B	H	EVAPORATING TEMP. (°C)					
MODEL				ASPERA		watt	A	mm	mm	mm	mm	mm	-20	-25	-30	-35	-40	

**CONDENSAZIONE AD ARIA, ESPANSIONE A VALVOLA, COMPRESSORE ASPERA, SERIE A UN VENTILATORE PER BASSA TEMPERATURA**

AIR CONDENSING UNITS, VALVE EXPANSION, ASPERA COMPRESSOR, ONE FAN-MOTOR RANGE, FOR LOW TEMPERATURE

**GROUPES DE CONDENSATION PAR AIR, EXPANSION A VANNE, COMPRESSEUR ASPERA, SERIE A UN VENTILATEUR, POUR BASSE TEMPERATURE**

LUFTGEKÜHLTE VERFLÜSSIGUNGSSÄTZE, EXPANSION MIT VENTIL, ASPERA VERDICHTER, REIHE MIT EINEM LÜFTER, FÜR NIEDRIGE TEMPERATUR

LUCN09A <sup>1</sup>	x	1/3	NE2125GK	8,79	378	2,6	6	10	450	300	270	365	291	223	160	105	0
LUCN12A <sup>1</sup>	x	1/2	NE2134GK	12,00	477	3,0	6	10	480	330	295	519	421	326	230	134	0
LUCN14A	x	1/2+	T2155GK	14,50	546	2,5	6	10	500	330	292	611	483	369	269	184	0
LUCN17A	x	3/4	T2168GK	17,40	711	3,7	6	10	500	330	292	709	580	460	348	248	0
LUCN20A	x	1-	T2178GK	20,40	829	4,1	6	12	500	330	292	843	698	561	430	306	0
LUCN22A	x	1	T2180GK	22,40	989	4,8	6	12	490	385	345	916	759	610	472	339	0
LUCN26A	x	1,25	J2192GK	26,10	1037	5,0	10	12	490	385	345	1074	891	713	546	405	0
LUCN26AT	x	1,25	J2192GS	26,10	1037	2,6	10	12	490	385	345	1074	891	713	546	405	0
LUCN34A	x	1,50	J2212GK	34,37	1300	6,5	10	12	490	385	345	1342	1113	889	674	470	0
LUCN34AT	x	1,50	J2212GS	34,37	1300	2,6	10	12	490	385	345	1342	1113	889	674	470	0

**Note 1:** Modello in eliminazione - sostituito con la corrispondente unità con compressore NEK  
Phasing out model - model to be replaced by equivalent condensing unit with NEK compressor

Lettura codice "A" - pag. 4  
Model designation "A" - page 4

**CONDENSAZIONE AD ARIA, ESPANSIONE A VALVOLA, COMPRESSORE ASPERA NEK, SERIE A UN VENTILATORE, PER BASSA TEMPERATURA**

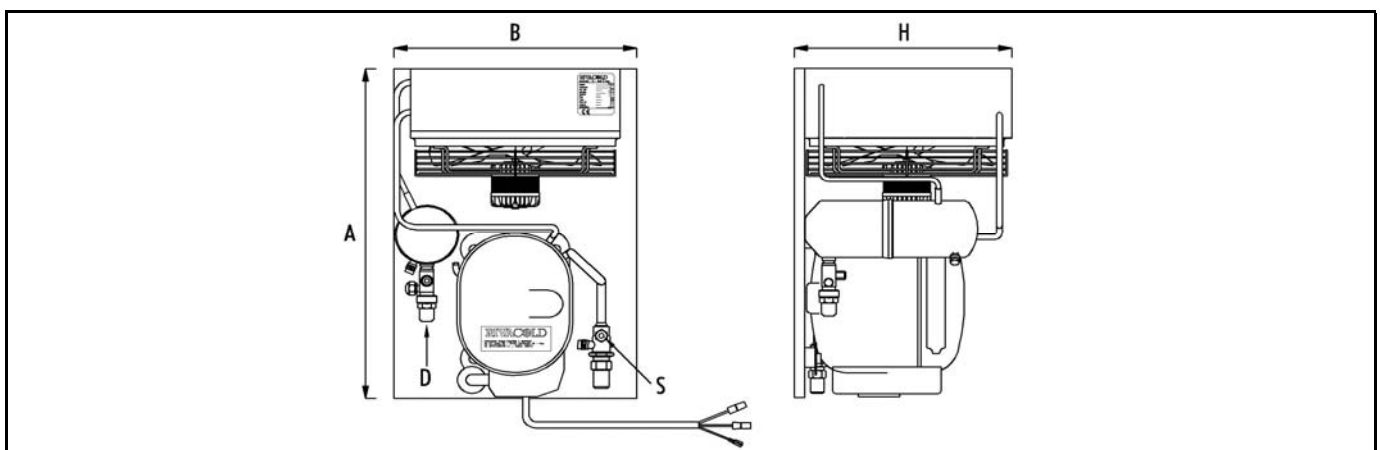
AIR CONDENSING UNITS, VALVE EXPANSION, NEK ASPERA COMPRESSOR, ONE FAN-MOTOR RANGE, FOR LOW TEMPERATURE

**GROUPES DE CONDENSATION PAR AIR, EXPANSION A VANNE, COMPRESSEUR ASPERA NEK, SERIE A UN VENTILATEUR POUR BASSE TEMPERATURE**

LUFTGEKÜHLTE VERFLÜSSIGUNGSSÄTZE, EXPANSION MIT VENTIL, NEK ASPERA VERDICHTER, REIHE MIT EINEM LÜFTER FÜR NIEDRIGE TEMPERATUR

LA004Z1041	x	1/4	NEK2117GK	4,50	223	1,5	6	10	420	300	225	236	194	158	127	102	0
LA005Z1041	x	1/3	NEK2121GK	5,50	259	1,6	6	10	420	300	225	288	236	191	153	126	0
LA006Z1041	x	1/3+	NEK2125GK	6,20	327	2,3	6	10	450	300	270	336	275	223	179	146	0
LA007Z1041	x	1/3+	NEK2130GK	7,40	355	2,5	6	10	450	300	270	391	321	258	202	154	0
LA009Z1041	x	1/2	NEK2134GK	8,80	411	2,7	6	10	480	330	295	482	393	313	246	191	0
LA012Z1041	x	1/2+	NEK2150GK	12,12	568	3,6	6	10	500	330	292	608	502	405	323	258	0

Lettura codice "B" - pag. 4  
Model designation "B" - page 4



R404A	VOLT		COMPRESSOR			POWER CONSUMPTION		TUBES		U.C. DIMENSIONS			PERFORMANCE ( W )					CAT PED
	230/1/50	400/3/50	HP	MODEL	cm <sup>3</sup>	Win	In	D	S	A	B	H	EVAPORATING TEMP. (°C)					
MODEL				ASPERA		watt	A	mm	mm	mm	mm	mm	-20	-25	-30	-35	-40	

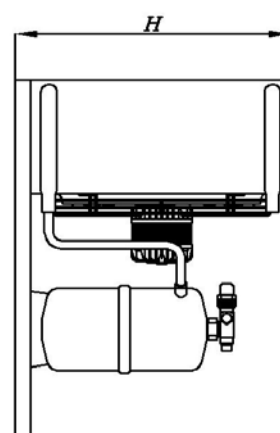
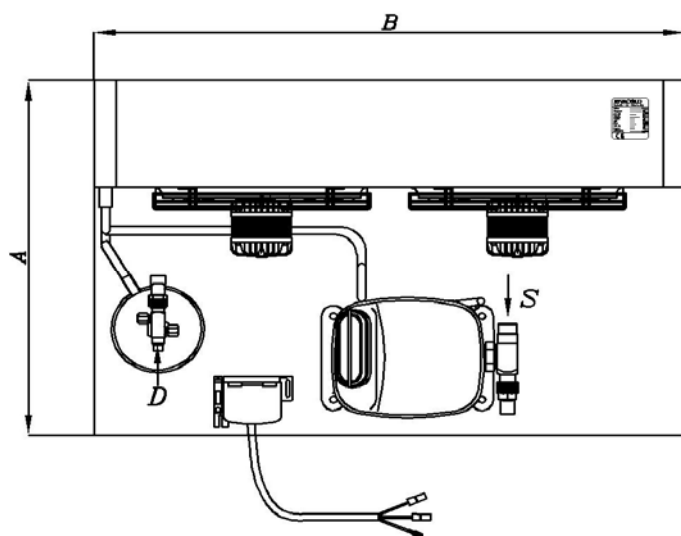
**CONDENSAZIONE AD ARIA, ESPANSIONE A VALVOLA, COMPRESSORE ASPERA, SERIE A DUE VENTILATORI, PER BASSA TEMPERATURA**

AIR CONDENSING UNITS, VALVE EXPANSION, ASPERA COMPRESSOR, TWO FAN-MOTOR RANGE, FOR LOW TEMPERATURE

**GROUPES DE CONDENSATION PAR AIR, EXPANSION A VANNE, COMPRESSEUR ASPERA, SERIE A DEUX VENTILATEURS POUR BASSE TEMPERATURE**

LUFTGEKÜHLTE VERFLÜSSIGUNGSSÄTZE EXPANSION MIT VENTIL, ASPERA VERDICHTER, REIHE MIT ZWEI LÜFTER FÜR NIEDRIGE TEMPERATUR

LUCEN17A	x	3/4	T2168GK	17,40	749	3,9	6	10	430	610	270	819	655	510	382	270	0
LUCEN20A	x	1-	T2178GK	20,40	832	4,0	6	12	490	700	320	887	729	582	445	316	0
LUCEN22A	x	1	T2180GK	22,40	992	4,7	10	12	490	700	320	1009	825	656	503	360	0
LUCEN26A	x	1,25	J2192GK	26,10	1040	4,9	10	12	490	700	346	1199	977	771	585	432	0
LUCEN26AT	x	1,25	J2192GS	26,10	1040	2,6	10	12	490	700	346	1199	977	771	585	432	0
LUCEN34A	x	1,5	J2212GK	34,37	1373	7,0	10	12	490	700	346	1607	1299	1013	748	507	0
LUCEN34AT	x	1,5	J2212GS	34,37	1373	3,1	10	12	490	700	346	1607	1299	1013	748	507	0





R404A	VOLT		COMPRESSOR			POWER CONSUMPTION		TUBES		U.C. DIMENSIONS			PERFORMANCE ( W )					CAT PED
	230/1/50	400/3/50	HP	MODEL	cm <sup>3</sup>	Win	In	D	S	A	B	H	EVAPORATING TEMP. (°C)					
MODEL				ASPERA		watt	A	mm	mm	mm	mm	mm	-20	-25	-30	-35	-40	

**CONDENSAZIONE AD ARIA, ESPANSIONE A CAPILLARE, COMPRESSORE ASPERA, SERIE A UN VENTILATORE, PER BASSA TEMPERATURA**

AIR CONDENSING UNITS, CAPILLARY EXPANSION, ASPERA COMPRESSOR, ONE FAN-MOTOR RANGE, FOR LOW TEMPERATURE

**GROUPES DE CONDENSATION PAR AIR, EXPANSION A CAPILLAIRE, COMPRESSEUR ASPERA, SERIE A UN VENTILATEUR POUR BASSE TEMPERATURE**

LUFTGEKÜHLTE VERFLÜSSIGUNGSSÄTZE, EXPANSION MIT KAPILLARROHR, ASPERA VERDICHTER, REIHE MIT EINEM LÜFTER FÜR NIEDRIGE TEMPERATUR

LUCCN09A <sup>1</sup>	x	1/3	NE2125GK	8,79	378	2,6	6	10	450	300	270	365	291	223	160	105	0
LUCCN12A <sup>1</sup>	x	1/2	NE2134GK	12,00	477	3,0	6	10	480	330	295	519	421	326	230	134	0
LUCCN14A	x	1/2+	T2155GK	14,50	546	2,5	6	10	500	330	292	611	483	369	269	184	0
LUCCN17A	x	3/4	T2168GK	17,40	711	3,7	6	10	500	330	292	709	580	460	348	248	0
LUCCN20A	x	1-	T2178GK	20,40	829	4,1	6	12	500	330	292	843	698	561	430	306	0
LUCCN22A	x	1	T2180GK	22,40	989	4,8	6	12	490	385	345	916	759	610	472	339	0
LUCCN26A	x	1,25	J2192GK	26,10	1037	5,0	10	12	490	385	345	1074	891	713	546	405	0
LUCCN26AT	x	1,25	J2192GS	26,10	1037	2,6	10	12	490	385	345	1074	891	713	546	405	0
LUCCN34A	x	1,5	J2212GK	34,37	1300	6,5	10	12	490	385	345	1342	1113	889	674	470	0
LUCCN34AT	x	1,5	J2212GS	34,37	1300	2,6	10	12	490	385	345	1342	1113	889	674	470	0

**Note 1:** Modello in eliminazione - sostituito con la corrispondente unità con compressore NEK  
Phasing out model - model to be replaced by equivalent condensing unit with NEK compressor

Letture codice "A" - pag. 4  
Model designation "A" - page 4

**CONDENSAZIONE AD ARIA, ESPANSIONE A CAPILLARE, COMPRESSORE ASPERA NEK, SERIE A UN VENTILATORE, PER BASSA TEMPERATURA**

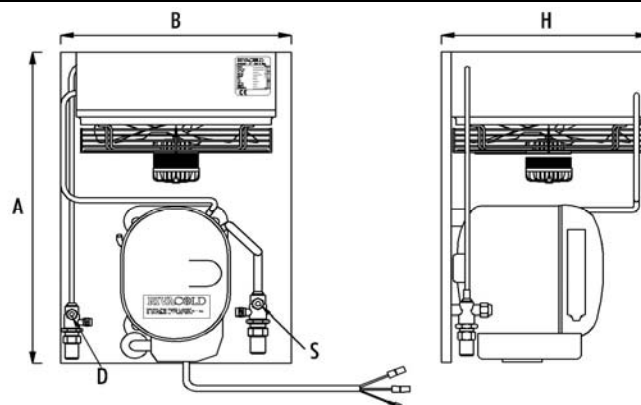
AIR CONDENSING UNITS, CAPILLARY EXPANSION, NEK ASPERA COMPRESSOR, ONE FAN-MOTOR RANGE, FOR LOW TEMPERATURE

**GROUPES DE CONDENSATION PAR AIR, EXPANSION A CAPILLAIRE, COMPRESSEUR ASPERA NEK, SERIE A UN VENTILATEUR POUR BASSE TEMPERATURE**

LUFTGEKÜHLTE VERFLÜSSIGUNGSSÄTZE, EXPANSION MIT KAPILLARROHR, NEK ASPERA VERDICHTER, REIHE MIT EINEM LÜFTER FÜR NIEDRIGE TEMPERATUR

LA004Z1051	x	1/4	NEK2117GK	4,50	223	1,5	6	10	420	300	225	236	194	158	127	102	0
LA005Z1051	x	1/3	NEK2121GK	5,50	259	1,6	6	10	420	300	225	288	236	191	153	126	0
LA006Z1051	x	1/3+	NEK2125GK	6,20	327	2,3	6	10	450	300	270	336	275	223	179	146	0
LA007Z1051	x	1/3+	NEK2130GK	7,40	355	2,5	6	10	450	300	270	391	321	258	202	154	0
LA009Z1051	x	1/2	NEK2134GK	8,80	411	2,7	6	10	480	330	295	482	393	313	246	191	0
LA012Z1051	x	1/2+	NEK2150GK	12,12	568	3,6	6	10	500	330	292	608	502	405	323	258	0

Letture codice "B" - pag. 4  
Model designation "B" - page 4



**UNITÀ CONDENSATRICE AD ARIA CON COMPRESSORE L' U.H.**  
**AIR COOLED CONDENSING UNIT WITH L' U.H. COMPRESSOR**



**CODE: HU006Z1011**

	H	U	0	0	6	Z	1	0	1	1
0	1	2	3	4	5	6	7			

0	Conformità <i>Conformity</i>	CAT = 0
1	Applicazione <i>Application</i>	H=Alta Temperatura - <i>High temperature</i>
2	Marca compressore <i>Compressor brand</i>	U=L'Unité Hermétique
3	Cilindrata compressore <i>Compressor displacement</i>	6 cm <sup>3</sup>
4	Refrigerante <i>Refrigerant</i>	Z=R404A
5	Condensazione <i>Condensation</i>	1 = Ad aria con 1 motoventilatore - <i>by air with one fan motor</i>
6	Espansione e varianti <i>Expansion and variations</i>	01=Espansione a valvola - <i>valve expansion</i>
7	Voltaggio <i>Voltage</i>	1=230/1/50

R134a	VOLT		COMPRESSOR			POWER CONSUMPTION		TUBES		U.C. DIMENSIONS			PERFORMANCE (W)					CAT PED
	230/1/50	400/3/50	HP	MODEL	cm <sup>3</sup>	Win	In	D	S	A	B	H	EVAPORATING TEMP. (°C)					
MODEL				L' U.H.		watt	A	mm	mm	mm	mm	mm	5	0	-5	-10	-15	

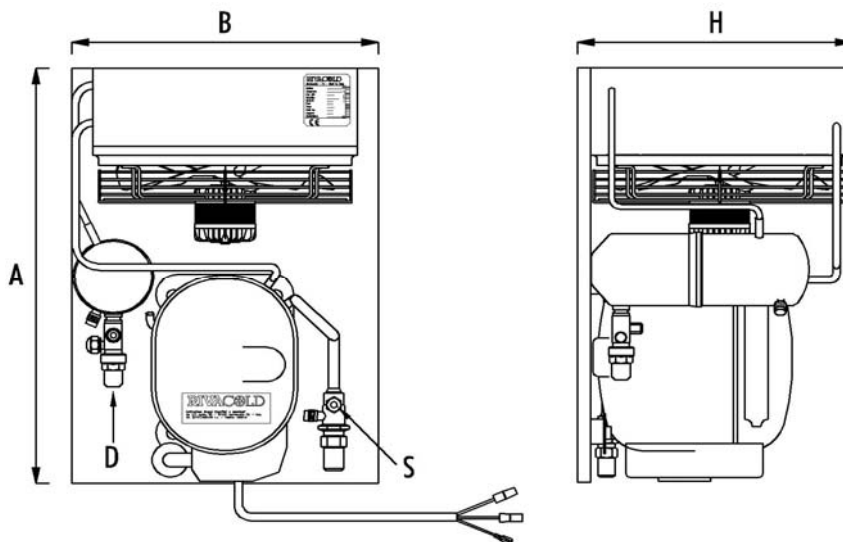
**CONDENSAZIONE AD ARIA, ESPANSIONE A VALVOLA, COMPRESSORE L' U.H., SERIE A UN VENTILATORE, PER MEDIA E ALTA TEMPERATURA**

AIR CONDENSING UNITS, VALVE EXPANSION, L' U.H. COMPRESSOR, ONE FAN-MOTOR RANGE, FOR MEDIUM AND HIGH TEMPERATURE

**GROUPES DE CONDENSATION PAR AIR, EXPANSION A VANNE, COMPRESSEUR L' U.H., SERIE A UN VENTILATEUR, POUR MOYENNE ET HAUTE TEMPERATURE**

LUFTGEKÜHLTE VERFLÜSSIGUNGSSÄTZE, EXPANSION MIT VENTIL, L' U.H. VERDICHTER, REIHE MIT EINEM VENTILATOR FÜR MITTLERE UND HOHE TEMPERATUR

HUCY04U	x	1/6	AZ4414Y	4,00	173	1,2	6	10	420	300	225	331	280	230	183	141	0
HUCY05U	x	1/5	AZ4419Y	5,60	214	1,5	6	10	420	300	225	417	360	306	255	211	0
HUCY07U	x	1/5	AEZ4425Y	7,55	245	1,7	6	10	420	300	270	555	476	397	323	254	0
HUCY08U	x	1/4	AEZ4430Y	8,85	300	2,1	6	10	450	300	270	680	583	490	405	331	0
HUCY12U	x	1/3	CAE4440Y	12,05	384	2,7	6	10	480	330	295	903	769	642	525	424	0
HUCY14U	x	3/8	CAE4448Y	14,20	443	2,9	6	10	480	330	295	1084	930	785	654	543	0
HUCY15U	x	1/2	CAJ4452YR	15,20	470	3,4	6	12	490	385	297	1226	1035	851	679	525	0
HUCY16U	x	1/2	CAE4456Y	16,20	565	4,0	6	10	500	330	292	1237	1063	898	748	620	0
HUCY18U	x	1/2	CAJ4461YR	18,30	563	3,7	6	12	490	385	297	1372	1169	977	801	650	0
HUCY18UT	x	1/2	TAJ4461YR	18,30	563	1,5	6	12	490	385	297	1372	1169	977	801	650	0
HUCY26U	x	3/4	CAJ4492YR	25,95	703	5,0	10	12	490	385	345	1889	1614	1337	1063	800	0
HUCY26UT	x	3/4	TAJ4492YR	25,95	666	1,9	10	12	490	385	345	1889	1614	1337	1063	800	0
HUCY33U	x	1	CAJ4511YR	32,70	860	4,4	10	16	490	430	372	2405	2083	1758	1443	1153	0
HUCY33UT	x	1	TAJ4511YR	32,70	857	2,3	10	16	490	430	372	2405	2083	1758	1443	1153	0
P-HUCY53U	x	1,5	FH4518Y	53,20	1207	6,0	10	16	630	530	450	4163	3499	2829	2164	1514	1
P-HUCY53UT	x	1,5	TFH4518Y	53,20	1190	3,1	10	16	630	530	450	4163	3499	2829	2164	1514	1



R134a	VOLT		COMPRESSOR			POWER CONSUMPTION		TUBES		U.C. DIMENSIONS			PERFORMANCE ( W )					CAT PED
	230/1/50	400/3/50	HP	MODEL	cm <sup>3</sup>	Win	In	D	S	A	B	H	EVAPORATING TEMP. (°C)					
MODEL				L' U.H.		watt	A	mm	mm	mm	mm	mm	5	0	-5	-10	-15	

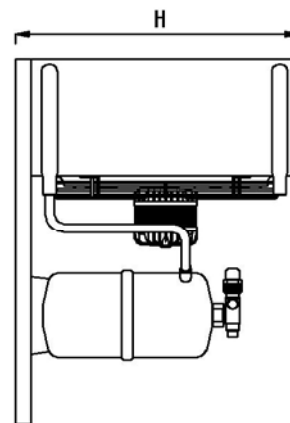
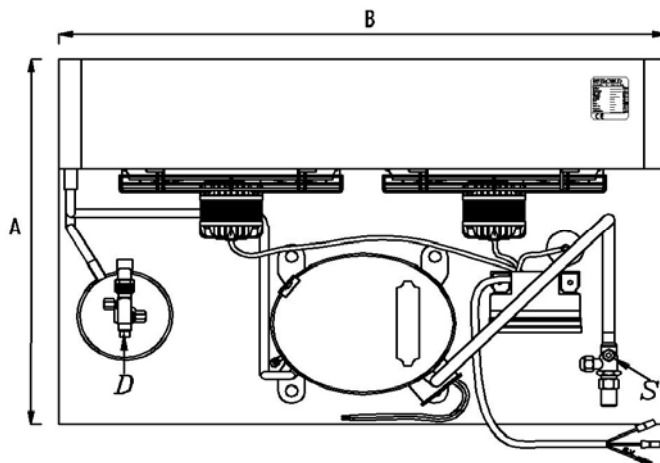
CONDENSAZIONE AD ARIA, ESPANSIONE A VALVOLA,  
COMPRESSORE L' U.H., SERIE A DUE VENTILATORI,  
PER MEDIA E ALTA TEMPERATURA

AIR CONDENSING UNITS, VALVE EXPANSION, L' U.H. COMPRESSOR,  
TWO FAN-MOTOR RANGE, FOR MEDIUM AND HIGH TEMPERATURE

GROUPES DE CONDENSATION PAR AIR, EXPANSION A VANNE,  
COMPRESSEUR L' U.H., SERIE A DEUX VENTILATEURS  
POUR MOYENNE ET HAUTE TEMPERATURE

LUFTGEKÜHLTE VERFLÜSSIGUNGSSÄTZE, EXPANSION MIT  
VENTIL, L' U.H. VERDICHTER, REIHE MIT ZWEI  
LÜFTER, FÜR MITTLERE UND HOHE TEMPERATUR

HUCEY18U	x	1/2	CAJ4461YR	18,30	566	3,6	6	12	490	700	320	1423	1208	1005	821	664	0
HUCEY18UT	x	1/2	TAJ4461YR	18,30	566	1,5	6	12	490	700	320	1423	1208	1005	821	664	0
HUCEY26U	x	3/4	CAJ4492YR	25,95	706	4,9	10	12	490	700	346	2068	1747	1431	1126	838	0
HUCEY26UT	x	3/4	TAJ4492YR	25,95	669	1,8	10	12	490	700	346	2068	1747	1431	1126	838	0
HUCEY33U	x	1	CAJ4511YR	32,70	911	4,7	10	16	490	700	346	2754	2346	1951	1580	1245	0
HUCEY33UT	x	1	TAJ4511YR	32,70	908	2,7	10	16	490	700	346	2754	2346	1951	1580	1245	0



R134a	VOLT		COMPRESSOR			POWER CONSUMPTION		TUBES		U.C. DIMENSIONS			PERFORMANCE (W)					CAT PED
	230/1/50	400/3/50	HP	MODEL	cm <sup>3</sup>	Win	In	D	S	A	B	H	EVAPORATING TEMP. (°C)					
						watt	A	mm	mm	mm	mm	mm	5	0	-5	-10	-15	

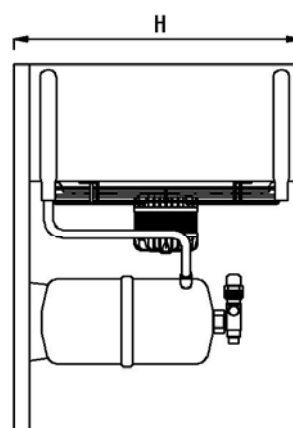
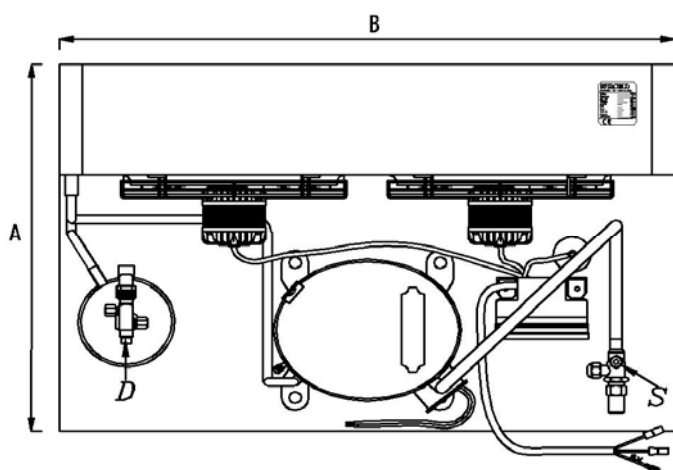
**CONDENSAZIONE AD ARIA, ESPANSIONE A VALVOLA, COMPRESSORE L' U.H., SERIE A DUE VENTILATORI, PER MEDIA E ALTA TEMPERATURA**

AIR CONDENSING UNITS, VALVE EXPANSION, L' U.H. COMPRESSOR, TWO FAN-MOTOR RANGE, FOR MEDIUM AND HIGH TEMPERATURE

**GROUPES DE CONDENSATION PAR AIR, EXPANSION A VANNE, COMPRESSEUR L' U.H., SERIE A DEUX VENTILATEURS, POUR MOYENNE ET HAUTE TEMPERATURE**

LUFTGEKÜHLTE VERFLÜSSIGUNGSSÄTZE, EXPANSION MIT VENTIL, L' U.H. VERDICHTER REIHE, MIT ZWEI LÜFTER FÜR MITTLERE UND HOHE TEMPERATUR

P-HUCEY53U	x	1,5	FH4518Y	53,20	1267	6,8	12	16	560	800	398	4220	3540	2857	2182	1524	1
P-HUCEY53UT	x	1,5	TFH4518Y	53,20	1250	3,9	12	16	560	800	398	4220	3540	2857	2182	1524	1
P-HUCEY74U	x	2	FH4525Y	74,20	1643	7,5	12	16	560	800	398	5226	4435	3663	2944	2310	1
P-HUCEY74UT	x	2	TFH4525Y	74,20	1591	3,5	12	16	560	800	398	5226	4435	3663	2944	2310	1
P-HUCEY90UT	x	2,5	TAG4528Y	90,20	1720	4,4	12	22	680	930	460	6254	5082	3963	2936	2046	2
P-HUCEY100UT	x	2,75	TAG4534Y	100,70	2009	4,8	12	22	680	930	460	7481	6192	4964	3841	2864	2
P-HUCEY124UT	x	3,5	TAG4543Y	124,40	2366	5,2	12	22	680	930	611	9393	7682	6103	4719	3593	2



R134a	VOLT		COMPRESSOR			POWER CONSUMPTION		TUBES		U.C. DIMENSIONS			PERFORMANCE ( W )					CAT PED
	230/1/50	400/3/50	HP	MODEL	cm <sup>3</sup>	Win	In	D	S	A	B	H	EVAPORATING TEMP. (°C)					
MODEL	230/1/50	400/3/50		L' U.H.		watt	A	mm	mm	mm	mm	mm	5	0	-5	-10	-15	

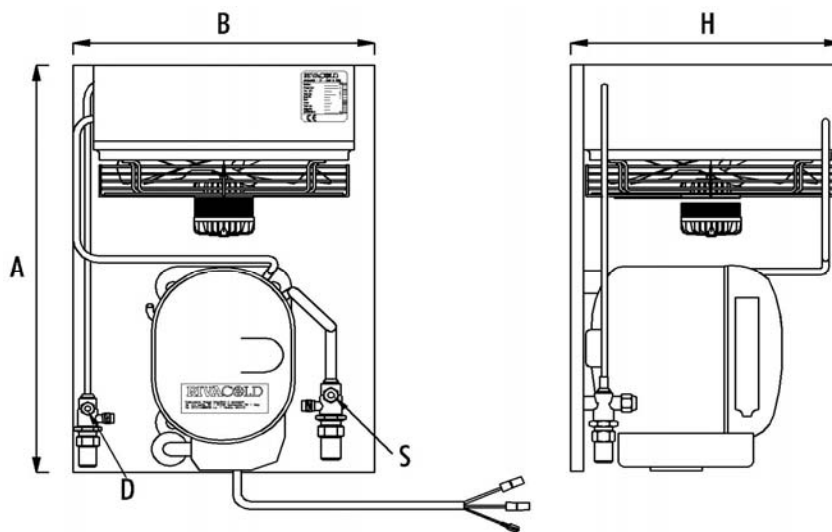
**CONDENSAZIONE AD ARIA, ESPANSIONE A CAPILLARE, COMPRESSORE L' U.H., SERIE A UN VENTILATORE, PER MEDIA E ALTA TEMPERATURA**

AIR CONDENSING UNITS, CAPILLARY EXPANSION, L' U.H. COMPRESSOR, ONE FAN-MOTOR RANGE, FOR MEDIUM AND HIGH TEMPERATURE

**GROUPES DE CONDENSATION PAR AIR, EXPANSION A CAPILLAIRE, COMPRESSEUR L' U.H., SERIE A UN VENTILATEURS, POUR MOYENNE ET HAUTE TEMPERATURE**

LUFTGEKÜHLTE VERFLÜSSIGUNGSSÄTZE, EXPANSION MIT KAPILLARROHR, L' U.H. VERDICHTER, REIHE MIT EINEM LÜFTER FÜR MITTLERE UND HOHE TEMPERATUR

HUCCY04U	x	1/6	AZ4414Y	4,00	173	1,2	6	10	420	300	225	331	280	230	183	141	0
HUCCY05U	x	1/5	AZ4419Y	5,60	214	1,5	6	10	420	300	225	417	360	306	255	211	0
HUCCY07U	x	1/5	AEZ4425Y	7,55	245	1,7	6	10	420	300	270	555	476	397	323	254	0
HUCCY08U	x	1/4	AEZ4430Y	8,85	300	2,1	6	10	450	300	270	680	583	490	405	331	0
HUCCY12U	x	1/3	CAE4440Y	12,05	384	2,7	6	10	480	330	295	903	769	642	525	424	0
HUCCY14U	x	3/8	CAE4448Y	14,20	443	2,9	6	10	480	330	295	1084	930	785	654	543	0
HUCCY15U	x	1/2	CAJ4452YR	15,20	470	3,4	10	12	490	385	297	1226	1035	851	679	525	0
HUCCY18U	x	1/2	CAJ4461YR	18,30	563	3,7	10	12	490	385	297	1372	1169	977	801	650	0
HUCCY18UT	x	1/2	TAJ4461YR	18,30	563	1,5	10	12	490	385	297	1372	1169	977	801	650	0
HUCCY26U	x	3/4	CAJ4492YR	25,95	703	5,0	10	12	490	385	345	1889	1614	1337	1063	800	0
HUCCY26UT	x	3/4	TAJ4492YR	25,95	666	1,9	10	12	490	385	345	1889	1614	1337	1063	800	0
HUCCY33U	x	1	CAJ4511YR	32,70	860	4,4	10	16	490	430	372	2405	2083	1758	1443	1153	0
HUCCY33UT	x	1	TAJ4511YR	32,70	857	2,3	10	16	490	430	372	2405	2083	1758	1443	1153	0



R404A MODEL	VOLT		COMPRESSOR			POWER CONSUMPTION		TUBES		U.C. DIMENSIONS			PERFORMANCE (W)					CAT PED
	230/1/50	400/3/50	HP	MODEL	cm <sup>3</sup>	Win	In	D	S	A	B	H	EVAPORATING TEMP. (°C)					
				L' U.H.		watt	A	mm	mm	mm	mm	mm	0	-5	-10	-15	-20	

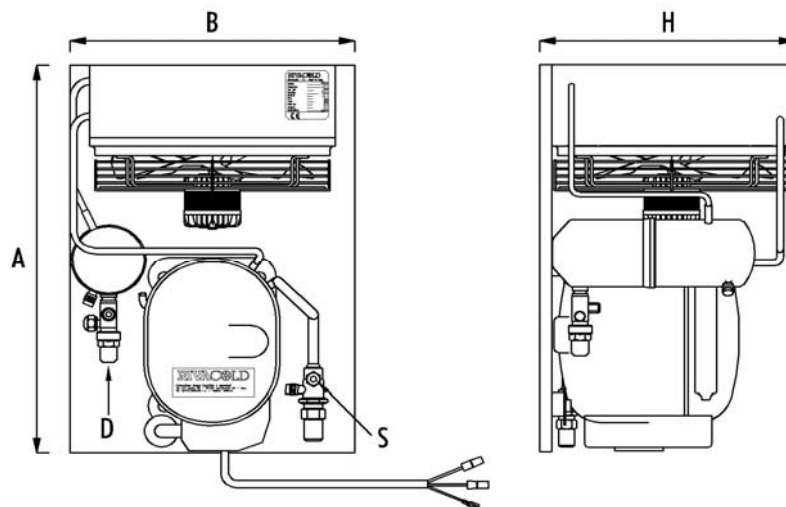
**CONDENSAZIONE AD ARIA, ESPANSIONE A VALVOLA, COMPRESSORE L' U.H., SERIE A UN VENTILATORE, PER MEDIA E ALTA TEMPERATURA**

AIR CONDENSING UNITS, VALVE EXPANSION, L' U.H. COMPRESSOR, ONE FAN-MOTOR RANGE, FOR MEDIUM AND HIGH TEMPERATURE

**GROUPES DE CONDENSATION PAR AIR, EXPANSION A VANNE, COMPRESSEUR L' U.H., SERIE A UN VENTILATEUR, POUR MOYENNE ET HAUTE TEMPERATURE**

LUFTGEKÜHLTE VERFLÜSSIGUNGSSÄTZE, EXPANSION MIT VENTIL, L' U.H. VERDICHTER, REIHE MIT EINEM FÜFTER FÜR MITTLERE UND HOHE TEMPERATUR

HU004Z1011	x	1/5	AEZ4425Z	4,50	285	1,8	6	10	420	300	270	463	397	333	272	218	0
HU006Z1011	x	1/4	AEZ4430Z	5,70	346	2,3	6	10	480	330	295	638	547	458	376	302	0
HU007Z1011	x	3/8	AEZ4440Z	7,55	437	2,5	6	10	480	330	295	750	641	539	442	354	0
HU009Z1011	x	3/7	CAE4450Z	9,40	528	3,5	6	10	480	330	295	971	834	704	586	488	0
HU011Z1011	x	1/2	CAE9460Z	11,30	584	3,2	6	10	500	330	292	1207	1045	886	735	601	0
HU013Z1011	x	1/2	CAE9470Z	13,30	718	3,7	6	10	490	385	297	1393	1216	1039	872	723	0
HU015Z1011	x	5/8	CAJ9480Z	15,20	778	3,6	6	12	490	385	297	1518	1336	1153	974	802	0
HU015Z1012	x	5/8	TAJ9480Z	15,20	778	2,0	6	12	490	385	297	1518	1336	1153	974	802	0
HU018Z1011	x	1	CAJ9510Z	18,30	935	4,4	10	12	490	385	345	1873	1653	1429	1208	1004	0
HU018Z1012	x	1	TAJ9510Z	18,30	934	2,2	10	12	490	385	345	1873	1653	1429	1208	1004	0
HU024Z1011	x	1,2	CAJ9513Z	24,20	1120	5,3	10	12	490	430	372	2263	1975	1683	1392	1109	0
HU024Z1012	x	1,2	TAJ9513Z	24,20	1120	2,6	10	12	490	430	372	2263	1975	1683	1392	1109	0
HU026Z1011	x	1,25	CAJ4517Z	25,95	1235	5,7	10	12	490	430	372	2733	2398	2063	1743	-	0
HU026Z1012	x	1,25	TAJ4517Z	25,95	1293	2,9	10	12	490	430	372	2733	2398	2063	1743	-	0
HU034Z1011	x	1,5	CAJ4519Z	34,50	1758	8,0	10	12	630	530	450	3457	3005	2558	2122	-	0
HU034Z1012	x	1,5	TAJ4519Z	34,45	1682	3,8	10	12	630	530	450	3457	3005	2558	2122	-	0
P-HU040Z1011	x	1,75	FH4522Z	39,95	1684	7,5	10	16	630	530	450	3852	3245	2668	2127	-	1
P-HU040Z1012	x	1,75	TFH4522Z	39,95	1684	3,9	10	16	630	530	450	3852	3245	2668	2127	-	1
P-HU044Z1011	x	2	FH4524Z	43,50	1892	8,4	10	16	630	530	450	4189	3573	2977	2406	-	1
P-HU044Z1012	x	2	TFH4524Z	43,50	1894	4,1	10	16	630	530	450	4189	3573	2977	2406	-	1
P-HU057Z1011	x	2,5	FH4531Z	56,65	2404	10,5	10	22	630	708	525	5476	4708	3933	3148	-	1
P-HU057Z1012	x	2,5	TFH4531Z	56,65	2331	4,7	10	22	630	708	525	5476	4708	3933	3148	-	1
P-HU074Z1011	x	3	FH4540Z	74,25	3086	14,8	10	22	630	708	525	6693	5777	4870	3991	-	1
P-HU074Z1012	x	3	TFH4540Z	74,25	3100	7,2	10	22	630	708	525	6693	5777	4870	3991	-	1



R404A MODEL	VOLT		COMPRESSOR			POWER CONSUMPTION		TUBES		U.C. DIMENSIONS			PERFORMANCE (W)					CAT PED
	230/1/50 400/3/50	HP	MODEL L' U.H.	cm <sup>3</sup>	Win watt	In A	D mm	S mm	A mm	B mm	H mm	EVAPORATING TEMP. (°C)						
												0	-5	-10	-15	-20		

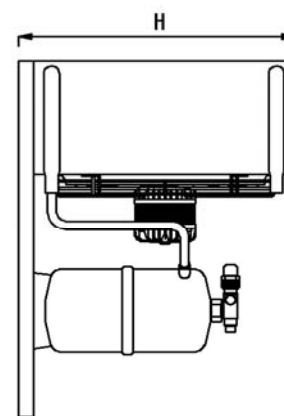
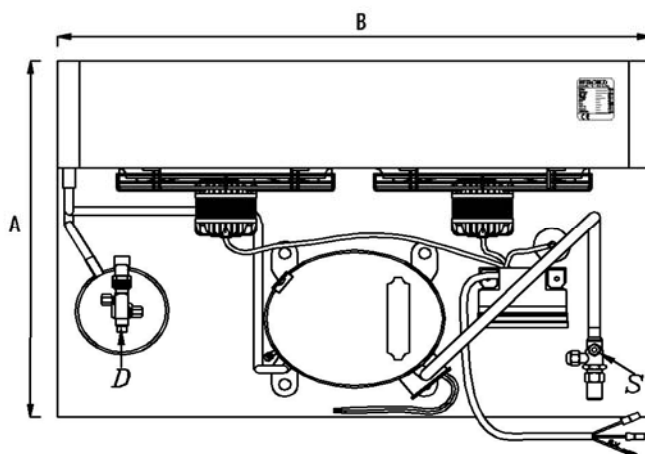
**CONDENSAZIONE AD ARIA, ESPANSIONE A VALVOLA, COMPRESSORE L' U.H., SERIE A DUE VENTILATORI, PER MEDIA E ALTA TEMPERATURA**

AIR CONDENSING UNITS, VALVE EXPANSION, L' U.H. COMPRESSOR, TWO FAN-MOTOR RANGE, FOR MEDIUM AND HIGH TEMPERATURE

**GROUPES DE CONDENSATION PAR AIR, EXPANSION A VANNE, COMPRESSEUR L' U.H., SERIE A DEUX VENTILATEURS, POUR MOYENNE ET HAUTE TEMPERATURE**

LUFTGEKÜHLTE VERFLÜSSIGUNGSSÄTZE EXPANSION MIT VENTIL, L' U.H. VERDICHTER, REIHE MIT ZWEI LÜFTER FÜR MITTLERE UND HOHE TEMPERATUR

HU011Z2011	x	1/2	CAE9460Z	11,30	587	3,1	6	10	490	700	320	1275	1097	924	763	621	0
HU013Z2011	x	1/2	CAE9470Z	13,30	721	3,6	6	10	490	700	320	1453	1262	1073	897	742	0
HU015Z2011	x	5/8	CAJ9480Z	15,20	781	3,6	10	12	490	700	346	1788	1543	1309	1088	884	0
HU015Z2012	x	5/8	TAJ9480Z	15,20	781	2,0	10	12	490	700	346	1788	1543	1309	1088	884	0
HU018Z2011	x	1	CAJ9510Z	18,30	938	4,3	10	16	490	700	346	2071	1807	1544	1293	1065	0
HU018Z2012	x	1	TAJ9510Z	18,30	937	2,2	10	16	490	700	346	2071	1807	1544	1293	1065	0
HU024Z2011	x	1,2	CAJ9513Z	24,20	1171	5,7	10	16	490	700	346	2629	2254	1888	1538	1208	0
HU024Z2012	x	1,2	TAJ9513Z	24,20	1171	2,9	10	16	490	700	346	2629	2254	1888	1538	1208	0
HU026Z2011	x	1,25	CAJ4517Z	25,95	1345	6,7	10	16	560	800	398	3092	2672	2265	1889	-	0
HU026Z2012	x	1,25	TAJ4517Z	25,95	1403	3,9	10	16	560	800	398	3092	2672	2265	1889	-	0
HU034Z2011	x	1,5	CAJ4519Z	34,50	1818	8,8	10	16	560	800	398	3693	3183	2690	2219	-	0
HU034Z2012	x	1,5	TAJ4519Z	34,50	1742	4,6	10	16	560	800	398	3693	3183	2690	2219	-	0
P-HU040Z2011	x	1,75	FH4522Z	39,90	1714	7,7	10	16	560	800	398	4019	3369	2758	2190	-	1
P-HU040Z2012	x	1,75	TFH4522Z	39,90	1714	4,1	10	16	560	800	398	4019	3369	2758	2190	-	1
P-HU044Z2011	x	2	FH4524Z	43,50	1922	8,5	10	16	560	800	398	4382	3719	3085	2483	-	1
P-HU044Z2012	x	2	TFH4524Z	43,50	1924	4,3	10	16	560	800	398	4382	3719	3085	2483	-	1
P-HU057Z2011	x	2,5	FH4531Z	56,65	2504	11,0	10	22	680	930	450	6164	5246	4354	3478	-	1
P-HU057Z2012	x	2,5	TFH4531Z	56,65	2431	5,2	10	22	680	930	450	6164	5246	4354	3478	-	1
P-HU074Z2012	x	3	TFH4540Z	74,25	3200	7,6	12	22	680	930	601	7603	6456	5370	4356	-	1
P-HU090Z2012	x	4	TAG4546Z	90,20	3211	6,5	12	22	680	930	601	8887	7389	5997	4725	-	2
P-HU101Z2012	x	4,5	TAG4553Z	100,70	3675	7,4	12	22	680	930	855	10277	8548	6948	5493	-	2
P-HU113Z2012	x	5	TAG4561Z	112,50	4557	9,5	12	28	785	1110	730	11837	9869	8062	6428	-	2
P-HU124Z2012	x	6	TAG4568Z	124,40	5065	10,5	12	28	785	1110	730	13322	11210	9261	7482	-	2
P-HU135Z2012	x	6,25	TAG4573Z	134,80	5506	11,6	12	28	785	1110	730	14379	12126	10049	8159	-	2



Letture codice "B" - pag. 4  
Model designation "B" - page 4



R404A MODEL	VOLT		COMPRESSOR			POWER CONSUMPTION		TUBES		U.C. DIMENSIONS			PERFORMANCE ( W )					CAT PED
	230/1/50	400/3/50	HP	MODEL L' U.H.	cm <sup>3</sup>	Win	In	D	S	A	B	H	EVAPORATING TEMP. (°C)					
						watt	A	mm	mm	mm	mm	mm	0	-5	-10	-15	-20	

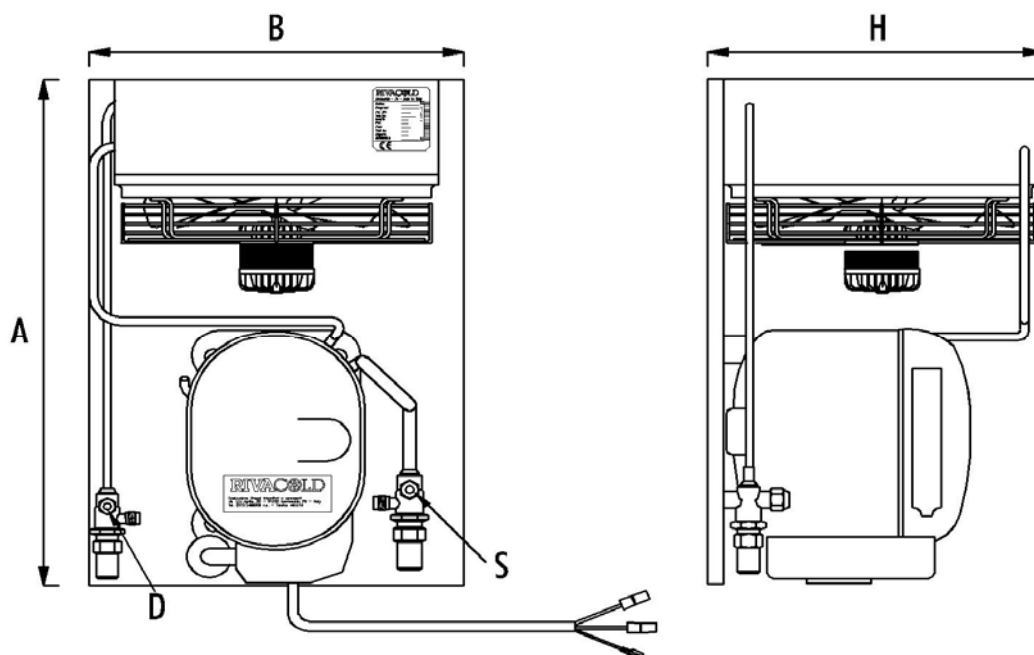
**CONDENSAZIONE AD ARIA, ESPANSIONE A CAPILLARE ,  
COMPRESSORE L' U.H., SERIE A UN VENTILATORE,  
PER MEDIA E ALTA TEMPERATURA**

AIR CONDENSING UNITS, CAPILLARY EXPANSION,  
L' U.H. COMPRESSOR, ONE FAN-MOTOR RANGE,  
FOR MEDIUM AND HIGH TEMPERATURE

**GROUPES DE CONDENSATION PAR AIR, EXPANSION A  
CAPILLAIRE, COMPRESSEUR L' U.H., SERIE A UN VENTILATEUR,  
POUR MOYENNE ET HAUTE TEMPERATURE**

LUFTGEKÜHLTE VERFLÜSSIGUNGSSÄTZE, EXPANSION MIT  
KAPILLARROHR, L' U.H. VERDICHTER, REIHE MIT EINEM  
LÜFTER FÜR MITTLERE UND HOHE TEMPERATUR

HU004Z1001	x	1/5	AEZ4425Z	4,50	285	1,8	6	10	420	300	270	463	397	333	272	218	0
HU006Z1001	x	1/4	AEZ4430Z	5,70	346	2,3	6	10	480	330	295	638	547	458	376	302	0
HU007Z1001	x	3/8	AEZ4440Z	7,55	437	2,5	6	10	480	330	295	750	641	539	442	354	0
HU009Z1001	x	3/7	CAE4450Z	9,40	528	3,5	6	10	480	330	295	971	834	704	586	488	0
HU011Z1001	x	1/2	CAE9460Z	11,30	584	3,2	6	10	500	330	292	1207	1045	886	735	601	0
HU013Z1001	x	1/2	CAE9470Z	13,30	718	3,7	6	10	490	385	297	1393	1216	1039	872	723	0
HU015Z1001	x	5/8	CAJ9480Z	15,20	778	3,6	6	12	490	385	297	1518	1336	1153	974	802	0
HU015Z1002	x	5/8	TAJ9480Z	15,20	778	2,0	6	12	490	385	345	1518	1336	1153	974	802	0
HU018Z1001	x	1	CAJ9510Z	18,30	935	4,4	6	12	490	385	345	1873	1653	1429	1208	1004	0
HU018Z1002	x	1	TAJ9510Z	18,30	934	2,2	6	12	490	385	345	1873	1653	1429	1208	1004	0
HU024Z1001	x	1,2	CAJ9513Z	24,20	1120	5,3	10	12	490	430	372	2263	1975	1683	1392	1109	0
HU024Z1002	x	1,2	TAJ9513Z	24,20	1120	2,6	10	12	490	430	372	2263	1975	1683	1392	1109	0



Letture codice "B" - pag. 4  
Model designation "B" - page 4

R404A	VOLT	COMPRESSOR			POWER CONSUMPTION		TUBES		U.C. DIMENSIONS			PERFORMANCE ( W )					CAT PED
		230/1/50 400/3/50	HP	MODEL	cm <sup>3</sup>	Win	In	D	S	A	B	H	EVAPORATING TEMP. (°C)				
	L' U.H.				watt	A	mm	mm	mm	mm	mm	-20	-25	-30	-35	-40	

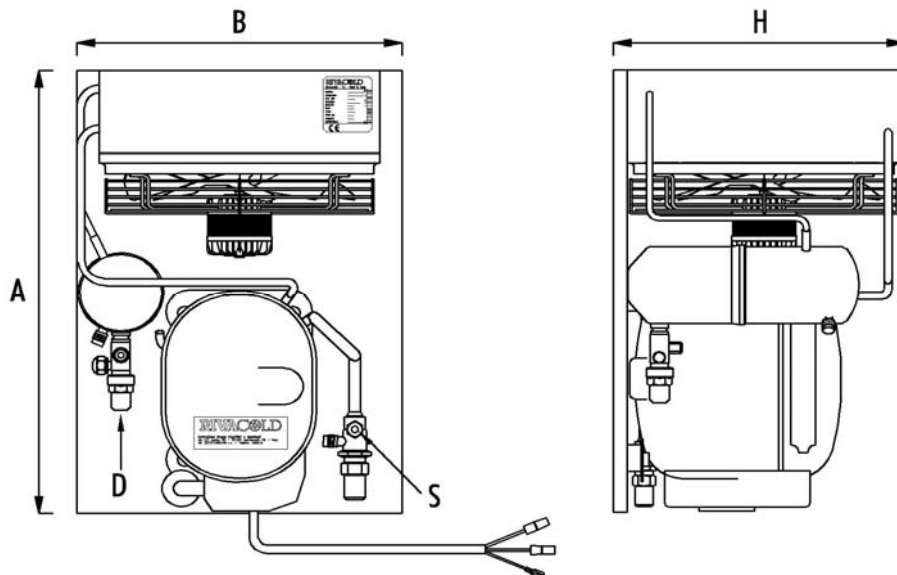
CONDENSAZIONE AD ARIA, ESPANSIONE A VALVOLA, COMPRESSORE L' U.H., SERIE A UN VENTILATORE, PER BASSA TEMPERATURA

AIR CONDENSING UNITS, VALVE EXPANSION, L' U.H. COMPRESSOR ONE FAN-MOTOR RANGE, FOR LOW TEMPERATURE

GROUPES DE CONDENSATION PAR AIR, EXPANSION A VANNE, COMPRESSEUR L' U.H., SERIE A UN VENTILATEUR, POUR BASSE TEMPERATURE

LUFTGEKÜHLTE VERFLÜSSIGUNGSSÄTZE, EXPANSION MIT VENTIL, L' U.H. VERDICHTER, REIHE MIT EINEM LÜFTER FÜR NIEDRIGE TEMPERATUR

LUCN11U	x	1/3+	CAE2417Z	11,30	441	2,3	6	10	450	300	270	425	349	271	195	119	0
LUCN12U	x	1/2	CAE2420Z	12,60	559	3,6	6	10	480	300	295	516	429	345	271	207	0
LUCN14U	x	5/8	CAE2424Z	15,10	642	3,0	6	10	500	330	292	617	520	425	336	257	0
LUCN15U	x	5/8	CAJ2428Z	15,20	638	3,9	6	12	500	330	292	592	480	375	281	199	0
LUCN15UT	x	5/8	TAJ2428Z	15,20	589	1,4	6	12	500	330	292	592	480	375	281	199	0
LUCN18U	x	3/4	CAJ2432Z	18,30	726	3,5	6	12	500	330	292	751	605	471	349	244	0
LUCN26U	x	1	CAJ2446Z	26,15	1046	4,9	10	12	490	385	345	1043	869	700	541	395	0
LUCN26UT	x	1	TAJ2446Z	26,15	1030	2,2	10	12	490	385	345	1043	869	700	541	395	0
LUCN34U	x	1,5	CAJ2464Z	34,45	1346	6,4	10	16	490	385	345	1259	1061	867	684	517	0
LUCN34UT	x	1,5	TAJ2464Z	34,45	1347	2,9	10	16	490	385	345	1259	1061	867	684	517	0
P-LUCN53U	x	2	FH2480Z	53,20	2080	9,2	10	16	630	530	450	2237	1809	1407	1036	698	1
P-LUCN53UT	x	2	TFH2480Z	53,20	1990	3,9	10	16	630	530	450	2237	1809	1407	1036	698	1
P-LUCN74U	x	3	FH2511Z	74,25	2630	13,1	10	16	630	530	450	2845	2317	1819	1359	943	1
P-LUCN74UT	x	3	TFH2511Z	74,25	2461	4,9	10	16	630	530	450	2845	2317	1819	1359	943	1



Letture codice "A" - pag. 4  
Model designation "A" - page 4

R404A	VOLT		COMPRESSOR			POWER CONSUMPTION		TUBES		U.C. DIMENSIONS			PERFORMANCE ( W )					CAT PED
	230/1/50	400/3/50	HP	MODEL	cm <sup>3</sup>	Win	In	D	S	A	B	H	EVAPORATING TEMP. (°C)					
						watt	A	mm	mm	mm	mm	mm	-20	-25	-30	-35	-40	

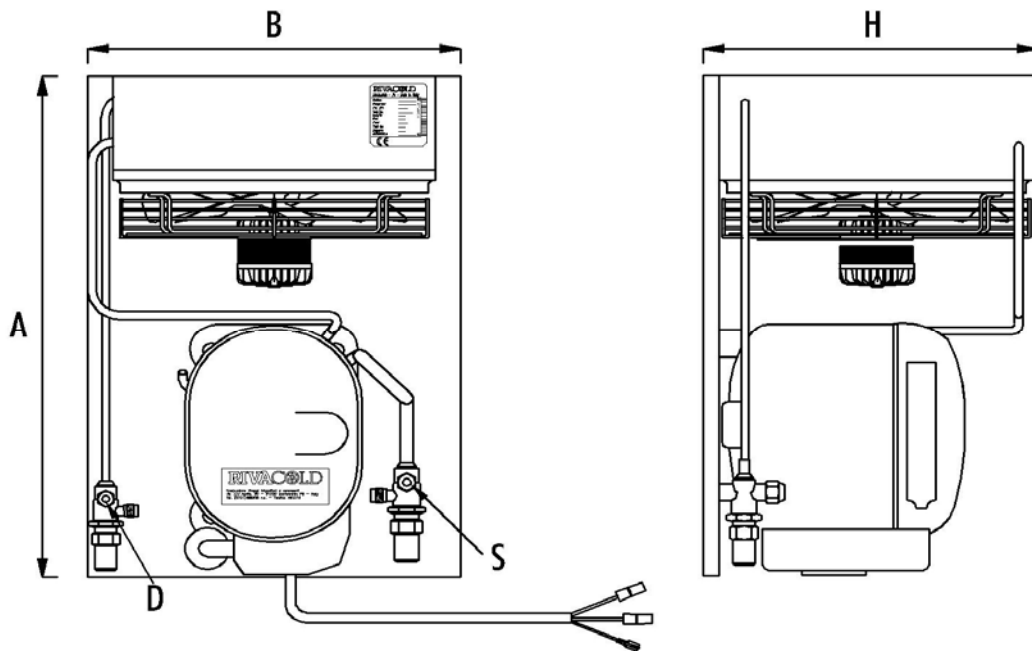
**CONDENSAZIONE AD ARIA, ESPANSIONE A CAPILLARE, COMPRESSORE L' U.H., SERIE A UN VENTILATORE PER BASSA TEMPERATURA**

AIR CONDENSING UNITS, CAPILLARY EXPANSION, L' U.H. COMPRESSOR, ONE FAN-MOTOR FOR LOW TEMPERATURE

**GROUPES DE CONDENSATION PAR AIR, EXPANSION A CAPILLAIRE, COMPRESSEUR L' U.H., SERIE A UN VENTILATEUR POUR BASSE TEMPERATURE**

LUFTGEKÜHLTE VERFLÜSSIGUNGSSÄTZE, EXPANSION MIT KAPILLARROHR, L' U.H. VERDICHTER, REIHE MIT EINEM LÜFTER FÜR NIEDRIGE TEMPERATUR

LUCCN11U	x	1/3+	CAE2417Z	11,30	441	2,3	6	10	450	300	270	425	349	271	195	119	0
LUCCN12U	x	1/2	CAE2420Z	12,60	559	3,6	6	10	480	300	295	516	429	345	271	207	0
LUCCN14U	x	5/8	CAE2424Z	15,10	642	3,0	6	10	500	330	292	617	520	425	336	257	0
LUCCN15U	x	5/8	CAJ2428Z	15,20	638	3,9	6	12	500	330	292	592	480	375	281	199	0
LUCCN18U	x	3/4	CAJ2432Z	18,30	726	3,5	6	12	500	330	292	751	605	471	349	244	0
LUCCN26U	x	1	CAJ2446Z	26,15	1046	4,9	6	12	490	385	345	1043	869	700	541	395	0
LUCCN34U	x	1,5	CAJ2464Z	34,45	1346	6,4	10	16	490	385	345	1259	1061	867	684	517	0



R404A	VOLT	COMPRESSOR			POWER CONSUMPTION		TUBES		U.C. DIMENSIONS			PERFORMANCE ( W )					CAT PED
		HP	MODEL	cm <sup>3</sup>	Win	In	D	S	A	B	H	EVAPORATING TEMP. (°C)					
MODEL	230/1/50 400/3/50		L' U.H.		watt	A	mm	mm	mm	mm	mm	-20	-25	-30	-35	-40	

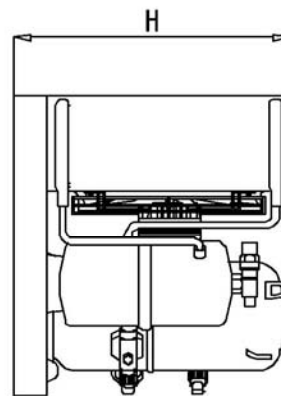
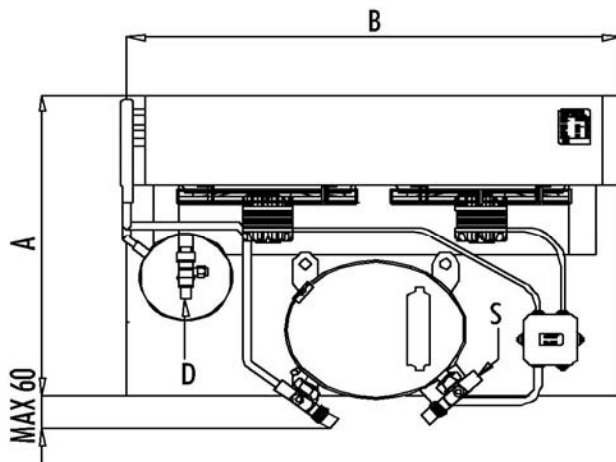
**CONDENSAZIONE AD ARIA, ESPANSIONE A VALVOLA, COMPRESSORE L' U.H., SERIE A DUE VENTILATORI, PER BASSA TEMPERATURA**

AIR CONDENSING UNITS, VALVE EXPANSION, L' U.H. COMPRESSOR, TWO FAN-MOTOR RANGE, FOR LOW TEMPERATURE

**GROUPES DE CONDENSATION PAR AIR, EXPANSION A VANNE, COMPRESSEUR L' U.H., SERIE A DEUX VENTILATEURS POUR BASSE TEMPERATURE**

LUFTGEKÜHLTE VERFLÜSSIGUNGSSÄTZE, EXPANSION MIT VENTIL, L' U.H. VERDICHTER, REIHE MIT ZWEI LÜFTER FÜR NIEDRIGE TEMPERATUR

LUCEN18U	x	5/8	CAJ2432Z	18,30	729	3,4	10	12	490	700	320	791	633	489	361	251	0
LUCEN26U	x	1	CAJ2446Z	26,15	1049	4,9	10	12	490	700	346	1171	960	762	582	422	0
LUCEN26UT	x	1	TAJ2446Z	26,15	1033	2,2	10	12	490	700	346	1171	960	762	582	422	0
LUCEN34U	x	1,5	CAJ2464Z	34,45	1419	6,9	10	16	490	700	346	1513	1241	990	767	570	0
LUCEN34UT	x	1,5	TAJ2464Z	34,45	1420	3,4	10	16	490	700	346	1513	1241	990	767	570	0
P-LUCEN53U	x	2	FH2480Z	53,20	2140	10,0	12	16	560	800	398	2207	1788	1392	1025	691	1
P-LUCEN53UT	x	2	TFH2480Z	53,20	2050	4,6	12	16	560	800	398	2207	1788	1392	1025	691	1
P-LUCEN74U	x	3	FH2511Z	74,25	2660	13,2	12	16	560	800	398	2914	2367	1854	1383	958	1
P-LUCEN74UT	x	3	TFH2511Z	74,25	2491	5,0	12	16	560	800	398	2914	2367	1854	1383	958	1
P-LUCEN112UT	x	4	TAG2516ZR	112,50	3589	6,5	12	22	680	930	450	4457	3589	2824	2208	1772	2
P-LUCEN134UT	x	5	TAG2522ZR	134,80	4260	8,1	12	28	680	930	450	5413	4440	3582	2894	2418	2



**UNITÀ CONDENSATRICE AD ARIA CON COMPRESSORE MANEUROP**  
**AIR COOLED CONDENSING UNIT WITH MANEUROP COMPRESSOR**



**CODE: P-MUCY30T**

P -	M	U	C	Y	3	0	T	
0	1	2	3	4	5	6		

0	Conformità <i>Conformity</i>	P- = Unità condensatrice conforme alla Direttiva 97/23 CE (P.E.D.) <i>P- = Condensing unit 97/23 CE (P.E.D.) compliant</i>
1	Applicazione <i>Application</i>	M=Alta temperatura, compressore Maneurop <i>M=High temperature, Maneurop compressor</i>
2	Espansione <i>Expansion</i>	UC = espansione a valvola - <i>valve expansion</i>
3	Refrigerante <i>Refrigerant</i>	Y=R404A
4	Cilindrata <i>Displacement</i>	30 cm <sup>3</sup>
5	Tensione <i>Voltage</i>	T = 400/3/50
6	Condensazione <i>Condensation</i>	Condensazione ad aria - <i>condensation by air</i>

R404A  MODEL	VOLT		COMPRESSOR			POWER CONSUMPTION		TUBES		U.C. DIMENSIONS			PERFORMANCE ( W )					CAT PED
	230/1/50	400/3/50	HP	MODEL MANEUROP	cm <sup>3</sup>	Win	In	D	S	A	B	H	EVAPORATING TEMP. (°C)					
						watt	A	mm	mm	mm	mm	mm	0	-5	-10	-15	-20	

**UNITA' CONDENSATRICI AD ARIA, ESPANSIONE A VALVOLA, COMPRESSORE MANEUROP, SERIE A DUE VENTILATORI, PER MEDIA E ALTA TEMPERATURA**

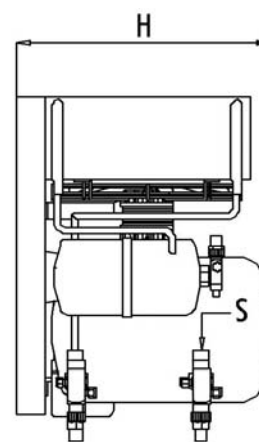
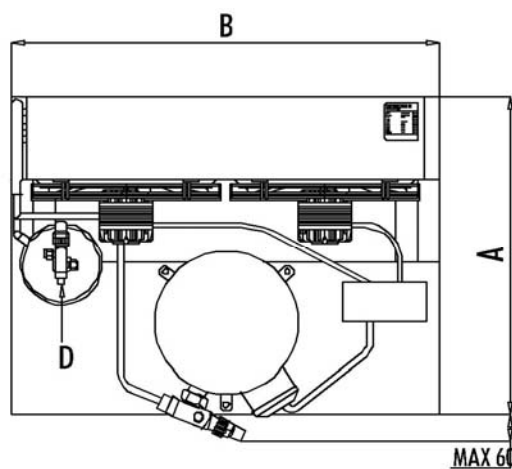
AIR CONDENSING UNITS, VALVE EXPANSION, MANEUROP COMPRESSOR, TWO FAN-MOTOR RANGE, FOR HIGH TEMPERATURE  
FOR MEDIUM AND HIGH TEMPERATURE

**GROUPES DE CONDENSATION PAR AIR, EXPANSION A VANNE, COMPRESSEUR MANEUROP, SERIE A DEUX VENTILATEURS, POUR MOYENNE ET HAUTE TEMPERATURE**

LUFTGEKÜHLTE VERFLÜSSIGUNGSSÄTZE, EXPANSION MIT VENTIL, MANEUROP VERDICHTER, REIHE MIT ZWEI LÜFTER FÜR MITTLERE UND HOHE TEMPERATUR

P-MUCY30	x	1,5	MTZ18JA5	30,20	1414	7,5	10	12	560	800	408	3024	2533	2069	1643	1259	1
P-MUCY30T	x	1,5	MTZ18JA4	30,20	1414	4,2	10	12	560	800	408	3024	2533	2069	1643	1259	1
P-MUCY38	x	1,8	MTZ22JC5	38,00	1764	8,3	10	14	560	800	408	3849	3328	2817	2327	1861	1
P-MUCY38T	x	1,8	MTZ22JC4	38,00	1764	4,5	10	14	560	800	408	3849	3328	2817	2327	1861	1
P-MUCY48	x	2,3	MTZ28JE5	48,00	2251	10,9	10	14	680	930	450	5412	4582	3809	3101	2465	1
P-MUCY48T	x	2,3	MTZ28JE4	48,00	2251	5,3	10	14	680	930	450	5412	4582	3809	3101	2465	1
P-MUCY54	x	2,6	MTZ32JF5	53,80	2629	11,4	10	18	680	930	450	5947	5027	4159	3354	2623	1
P-MUCY54T	x	2,6	MTZ32JF4	53,80	2629	5,6	10	18	680	930	450	5947	5027	4159	3354	2623	1
P-MUCY60	x	3	MTZ36JG5	60,40	3031	14,5	10	18	680	930	450	6838	5808	4849	3976	3193	1
P-MUCY60T	x	3	MTZ36JG4	60,40	3031	6,3	10	18	680	930	450	6838	5808	4849	3976	3193	1
P-MUCY68T	x	3,5	MTZ40JH4	67,90	3342	7,3	12	18	680	930	450	7355	6290	5266	4299	3401	1
P-MUCY77T	x	3,75	MTZ44HJ4	76,20	3513	7,7	12	22	680	930	601	8528	7116	5823	4664	3652	2
P-MUCY86T	x	4,2	MTZ50HK4	85,60	3980	7,9	12	22	680	930	601	9525	8045	6669	5415	4296	2
P-MUCY107T	x	5,3	MTZ64HM4	108,00	5435	10,7	12	22	785	1110	730	13520	11393	9414	7602	5977	2
P-MUCY121T	x	6	MTZ72HN4	121,00	5891	11,1	12	22	785	1110	730	14702	12470	10383	8466	6738	2
P-MUCY135T	x	6,5	MTZ80HP4	136,00	6771	12,6	12	28	785	1110	730	16603	14160	11845	9688	7712	2
P-MUCY171T	x	8,33	MTZ100HS4	171,00	7550	14,7	16	28	840	1315	851	19625	16503	13619	11003	8680	2
P-MUCY215T <sup>(1)</sup>	x	10,4	MTZ125HU4	215,00	9671	17,6	16	28	1050	1650	896	24233	20649	17285	14006	11375	2
P-MUCY242T <sup>(1)</sup>	x	12	MTZ144HV4	242,00	10830	20,2	16	28	1050	1650	896	27853	23750	19907	16376	13185	2
P-MUCY272T <sup>(1)</sup>	x	13,3	MTZ160HW4	272,00	12224	22,2	16	28	1050	1650	896	29912	25691	21684	17955	14544	2

<sup>(1)</sup> MOTOVENTILATORI V.380/3/50 - FAN-MOTORS V.380/3/50

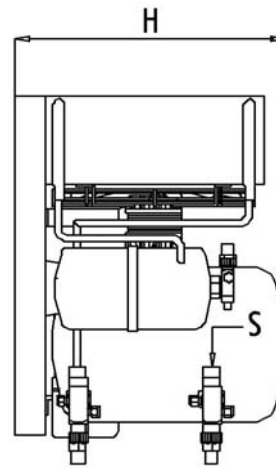
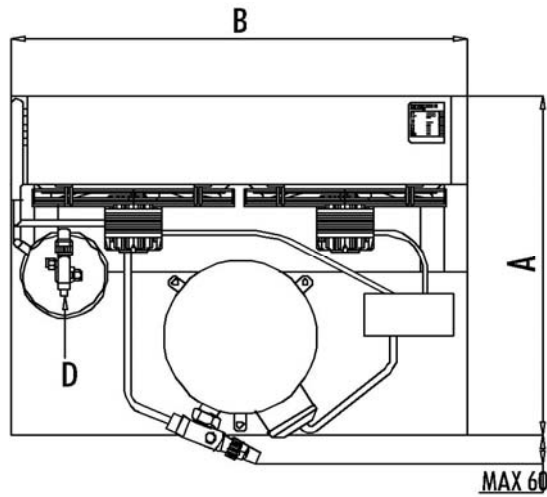


R404A  MODEL	VOLT		COMPRESSOR			POWER CONSUMPTION		TUBES		U.C. DIMENSIONS			PERFORMANCE ( W )					CAT PED
	230/1/50	400/3/50	HP	MODEL MANEUROP	cm <sup>3</sup>	Win	In	D	S	A	B	H	EVAPORATING TEMP. (°C)					
						watt	A	mm	mm	mm	mm	mm	-20	-25	-30	-35	-40	

**UNITA' CONDENSATRICI AD ARIA, ESPANSIONE A VALVOLA, COMPRESSORE MANEUROP, SERIE A DUE VENTILATORI, PER BASSA TEMPERATURA**  
AIR CONDENSING UNITS, VALVE EXPANSION, MANEUROP COMPRESSOR, TWO FAN-MOTOR RANGE, FOR LOW TEMPERATURE

**GROUPES DE CONDENSATION PAR AIR, EXPANSION A VANNE, COMPRESSEUR MANEUROP, SERIE A DEUX VENTILATEURS, POUR BASSE TEMPERATURE**  
LUFTGEKÜHLTE VERFLÜSSIGUNGSSÄTZE, EXPANSION MIT VENTIL, MANEUROP VERDICHTER, REIHE MIT ZWEI LÜFTER FÜR NIEDRIGE TEMPERATUR

P-LUCN22M	x	1,83	LTZ22JE5	48,00	1767	8,5	10	14	630	700	346	1703	1416	1133	866	624	1
P-LUCN22MT	x	1,83	LTZ22JE4	48,00	1767	4,0	10	14	630	700	346	1703	1416	1133	866	624	1
P-LUCN28M	x	2,33	LTZ28JH5	67,89	2573	14,2	10	14	560	800	408	2450	2050	1663	1302	979	1
P-LUCN28MT	x	2,33	LTZ28JH4	67,89	2573	6,1	12	14	560	800	408	2450	2050	1663	1302	979	1
P-LUCN40MT	x	3,33	LTZ40HLVE4	96,10	3833	7,6	12	22	680	930	450	4234	3448	2738	2118	1577	2
P-LUCN44MT	x	3,66	LTZ44HMVE4	108,00	4214	8,2	12	22	680	930	450	4920	3967	3101	2335	1653	2
P-LUCN50MT	x	4,16	LTZ50HPVE4	136,00	5451	9,9	12	28	750	922	601	6218	5102	4081	3171	2349	2
P-LUCN88MT	x	7,3	LTZ88HUVE4	215,00	8237	15,6	16	28	785	1110	730	9900	7880	6096	4567	3154	2
P-LUCN100MT	x	8,33	LTZ100HWVE4	272,00	10234	17,1	16	28	785	1110	730	11922	9739	7752	5995	4414	2



Letture codice "D" - pag. 5  
Model designation "D" - page 5

**I**

## UNITA' CONDENSATRICI AD ACQUA

I VALORI DI RESA SONO RIFERITI A:

- AMBIENTE +32°C
- CONDENSAZIONE: +35°C,
- GAS ASPIRATO: 0°C (LBP) E +20°C (HBP),
- SOTTORAFFREDDAMENTO: 0K

LEGENDA TABELLE:

D= Mandata

S= Aspirazione

Win= Watt assorbiti alle condizioni nominali

In= Ampere assorbiti alle condizioni nominali

TUTTE LE UNITA' CONDENSATRICI RIVACOLD SONO  
PREDISPOSTE PER ESSERE CONFORMI ALLA DIRETTIVA  
97/23 CE (PED).

**GB**

## WATER COOLED CONDENSING UNITS

OUTPUT VALUES REFER TO:

- AMBIENT TEMP. : +32°C
- CONDENSATION : +35°C
- SUCTION GAS: 0°C (LBP) AND +20°C (HBP)
- SUBCOOLING: : 0K

TABLE LEGEND:

D= Discharge

S= Suction

Win= Watt absorbed at nominal conditions

In= Ampere absorbed at nominal conditions

ALL RIVACOLD CONDENSING UNITS ARE PRE-ARRANGED  
TO COMPLY WITH 97/23/CE DIRECTIVE (PED).

**F**

## GROUPES DE CONDENSATION REFROIDI PAR EAU

LES VALEURS DE RENDEMENT SONT REFERES A:

- AMBIANTE : +32°C
- CONDENSATION +35°C,
- GAZ ASPIRE: 0°C (LBP) ET +20°C (HBP),
- SOUS-REFROIDISSEMENT: 0K

LEGENDE DES TABLEAUX:

D= Decharge

S= Aspiration

Win= Watts absorbés aux conditions nominales

In= Ampères absorbés aux conditions nominales

TOUTES LES UNITES DE CONDENSATION RIVACOLD SONT CONÇUES DE FAÇON  
A LES CONFORMER A LA DIRECTIVE 97/23 CE (PED).

**D**

## WASSERGEKÜHLTE VERFLÜSSIGUNGSSÄTZE

DIE WERTE DER LEISTUNG BEZIEHEN SICH FÜR:

- RAUMTEMPERATUR: +32°C
- KONDENSATION : +35°C
- SAUGGAS: 0° (LBP) UND +20°C (HBP)
- UNTERKÜHLUNG: 0 K

LEGENDE:

D= Druck

S= Saug

Win= Nennleistungsaufnahme

In= Nennstromaufnahme

ALLE VERDICHTEREINHEITEN VON RIVACOLD SIND AUF EINE  
ENTSPRECHUNG DER RICHTLINIE 97/23 EG (PED) VORBEREITET.

### FATTORI DI CONVERSIONE / CONVERSION FACTORS

$$1W = 0,86 \text{ kcal/h}$$

$$1\text{kcal/h} = 3,97 \text{ Btu/h}$$

$$1CV = 0,735 \text{ kW}$$

$$1\text{kcal/h} = 1,163 \text{ W}$$

$$1\text{Ton} = 3030 \text{ kcal/h}$$

$$1\text{PSI} = 0,0703 \text{ atm}$$

$$1W = 3,41 \text{ Btu/h}$$

$$1\text{Ton} = 3,516 \text{ kW}$$

$$1\text{atm} = 14,22 \text{ PSI}$$

$$1\text{Btu/h} = 0,293 \text{ W}$$

$$1\text{Ton} = 12000 \text{ Btu/h}$$

$$1\text{bar} = 10^5 \text{ Pa}$$

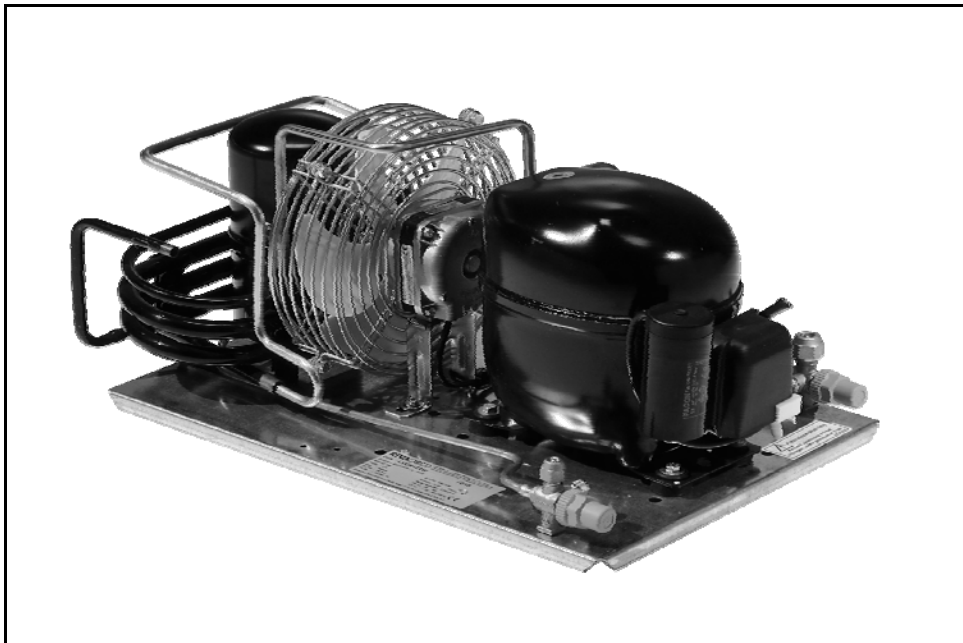
$$1\text{Btu/h} = 0,252 \text{ kcal/h}$$

$$1\text{kW} = 1,36 \text{ CV}$$

$$1\text{kPa} = 0,102 \text{ mH}_2\text{O}$$



**UNITÀ CONDENSATRICE AD ACQUA CON COMPRESSORE ASPERA**  
**WATER COOLED CONDENSING UNIT WITH ASPERA COMPRESSOR**



**CODE: LUCN12AW**

	L	U	C	N	1	2	A		W	
0	1	2	3	4	5	6	7	8		

0	Conformità <i>Conformity</i>	CAT = 0
1	Applicazione <i>Application</i>	L=Bassa Temperatura - <i>Low temperature</i>
2	Tipologia macchina <i>Machine type</i>	UC=espansione a valvola con 1 motoventilatore <i>valve expansion with one fan motor</i>
3	Refrigerante <i>Refrigerant</i>	N=R404A
4	Cilindrata compressore <i>Compressor displacement</i>	12 cm <sup>3</sup>
5	Marca compressore <i>Compressor brand</i>	A=Aspera
6	Tensione <i>Voltage</i>	230/1/50
7	Condensazione <i>Condensation</i>	W=condensazione ad acqua - <i>condensation by water</i>
8	Varianti <i>Variations</i>	

R404A	VOLT		COMPRESSOR			POWER CONSUMPTION		TUBES		U.C. DIMENSIONS			PERFORMANCE ( W )					CAT PED
	230/1/50	400/3/50	HP	MODEL ASPERA	cm <sup>3</sup>	Win watt	In A	D mm	S mm	A mm	B mm	H mm	EVAPORATING TEMP. (°C)					
MODEL <sup>3</sup>												0	-5	-10	-15	-20		

**CONDENSAZIONE AD ACQUA, ESPANSIONE A VALVOLA, COMPRESSORE ASPERA, PER MEDIA E ALTA TEMPERATURA**  
WATER COOLED CONDENSING UNITS, VALVE EXPANSION, ASPERA COMPRESSOR, FOR MEDIUM AND HIGH TEMPERATURE

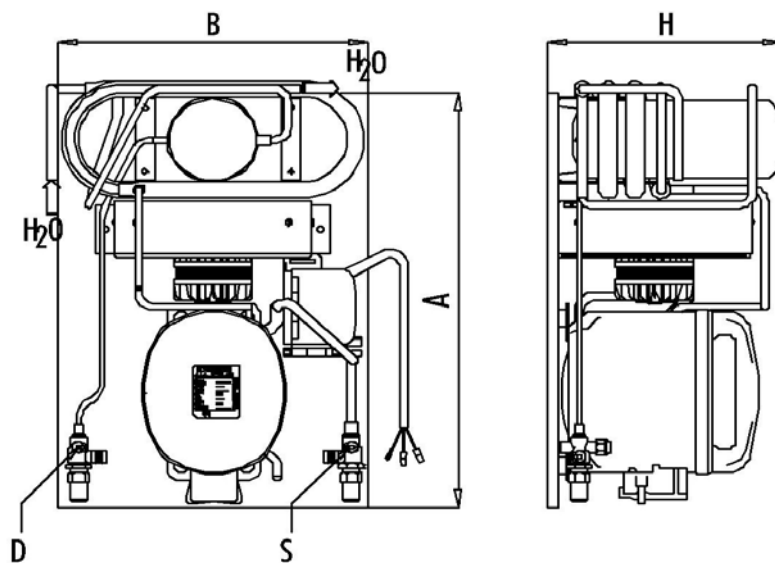
**GROUPES DE CONDENSATION REFRIGIDI PAR EAU, EXPANSION A VANNE, COMPRESSEUR ASPERA, POUR MOYENNE ET HAUTE TEMPERATURE**  
WASSERGEKÜHLTE VERFLÜSSIGUNGSSÄTZE, EXPANSION MIT VENTIL, ASPERA VERDICHTER, FÜR MITTLERE UND HOHE TEMPERATUR

HA004ZW011 <sup>1</sup>	x	1/4	NB6144GK	4,51	270	2,0	6	10	480	330	233	568	465	380	304	240	0
HA005ZW011 <sup>2</sup>	x	1/4	NB6152GK	4,85	309	2,2	6	10	480	330	233	647	528	428	346	281	0
HA006ZW011 <sup>1</sup>	x	1/4+	NB6165GK	6,00	379	2,6	6	10	480	330	222	781	642	525	424	343	0
HA007ZW011 <sup>1</sup>	x	1/3	NE6181GK	7,40	356	2,5	6	10	480	330	222	974	784	619	478	362	0
HA009ZW011 <sup>1</sup>	x	1/2-	NE6210GK	8,79	445	2,8	6	10	480	330	235	1152	941	757	599	464	0
HA012ZW011 <sup>1</sup>	x	3/4	NE9213GK	12,00	583	2,8	6	10	480	330	248	1671	1375	1115	886	693	0
HA015ZW011	x	3/4+	T6217GK	14,51	743	4,4	6	12	490	385	259	1930	1587	1276	993	741	0
HA017ZW011	x	1-	T6220GK	17,40	864	4,2	6	12	490	385	259	2304	1904	1542	1210	912	0
HA021ZW011	x	1+	J9226GK	21,70	984	4,3	10	12	490	385	303	3105	2520	2020	1597	1252	0
HA021ZW012	x	1+	J9226GS	21,70	984	1,9	10	12	490	385	303	3105	2520	2020	1597	1252	0
HA026ZW011	x	1,25	J9232GK	26,14	1217	5,9	10	12	490	385	315	3825	3094	2473	1950	1529	0
HA026ZW012	x	1,25	J9232GS	26,14	1217	2,3	10	12	490	385	315	3825	3094	2473	1950	1529	0
P-HA032ZW011	x	1,5	J9238GK	32,70	1525	7,1	10	12	600	400	353	4717	3903	3183	2540	1983	1
P-HA032ZW012	x	1,5	J9238GS	32,70	1525	3,1	10	12	600	400	353	4717	3903	3183	2540	1983	1

**Note 1:** Modello in eliminazione - sostituito con la corrispondente unità con compressore NEK  
Phasing out model - model to be replaced by equivalent condensing unit with NEK compressor

**Note 2:** Modello in eliminazione - disponibile fino ad esaurimento scorte  
Phasing out model - available till stock expiency

**Note 3:** A richiesta è disponibile la versione con valvola pressostatica e pressostato di alta montati: Codice : AC03 e AC03P (PED).  
Upon request, it is also available the version with pressure regulating valve and fitted high pressure switch : Code : AC03 and AC03P (PED).



R404A MODEL	VOLT		COMPRESSOR			POWER CONSUMPTION		TUBES		U.C. DIMENSIONS			PERFORMANCE ( W )					CAT PED
	230/1/50	400/3/50	HP	MODEL ASPERA	cm <sup>3</sup>	Win	In	D	S	A	B	H	EVAPORATING TEMP. (°C)					
						watt	A	mm	mm	mm	mm	mm	0	-5	-10	-15	-20	

**CONDENSAZIONE AD ACQUA, ESPANSIONE A VALVOLA, COMPRESSORE ASPERA NEK, PER MEDIA E ALTA TEMPERATURA**

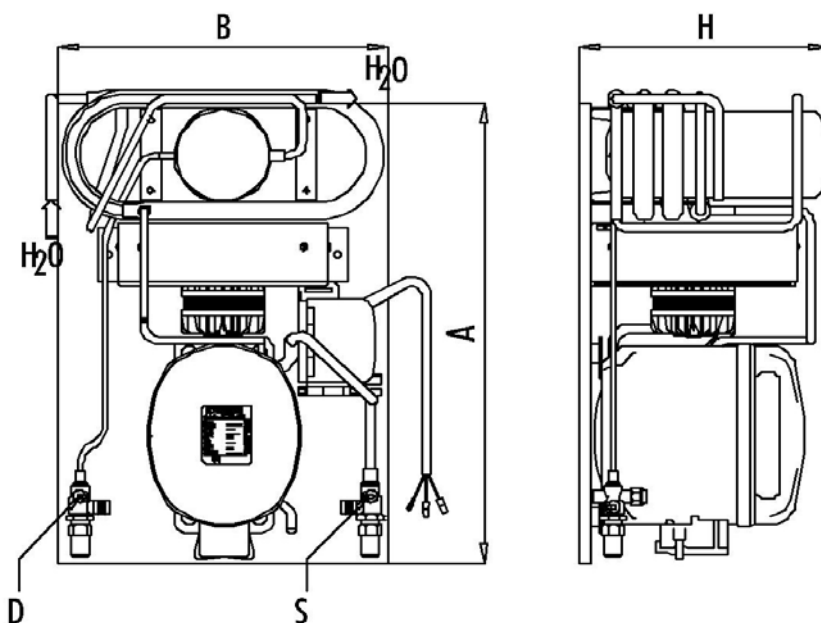
WATER COOLED CONDENSING UNITS, VALVE EXPANSION, ASPERA NEK COMPRESSOR, FOR MEDIUM AND HIGH TEMPERATURE

**GROUPES DE CONDENSATION REFRIGIDI PAR EAU, EXPANSION A VANNE, COMPRESSEUR ASPERA NEK, POUR MOYENNE ET HAUTE TEMPERATURE**

WASSERGEKÜHLTE VERFLÜSSIGUNGSSÄTZE, EXPANSION MIT VENTIL, ASPERA NEK VERDICHTER, FÜR MITTLERE UND HOHE TEMPERATUR

HA004ZW041	x	1/4	NEK6144GK	4,50	268	1,7	6	10	480	330	233	677	562	464	387	327	0
HA006ZW041	x	1/3	NEK6165GK	6,20	376	2,2	6	10	480	330	222	907	751	627	526	453	0
HA007ZW041	x	1/3+	NEK6181GK	7,30	409	2,6	6	10	480	330	222	1041	857	702	573	470	0
HA009ZW041	x	1/2	NEK6210GK	8,80	480	2,9	6	10	480	330	235	1240	1033	859	717	609	0
HA012ZW041	x	1/2+	NEK6213GK	12,10	719	4,5	6	10	480	330	248	1654	1374	1141	947	784	0

**Note:** A richiesta è disponibile la versione con valvola pressostatica e pressostato di alta montati (AC03).  
Upon request, it is also available the version with pressure regulating valve and fitted high pressure switch (AC03).



R404A MODEL <sup>3</sup>	VOLT		COMPRESSOR			POWER CONSUMPTION		TUBES		U.C. DIMENSIONS			PERFORMANCE (W)					CAT PED
	230/150 400/3/50		HP	MODEL ASPERA	cm <sup>3</sup>	Win	In	D	S	A	B	H	EVAPORATING TEMP. (°C)					
						Watt	A	mm	mm	mm	mm	mm	0	-5	-10	-15	-20	

**CONDENSAZIONE AD ACQUA, ESPANSIONE A CAPILLARE, COMPRESSORE ASPERA, PER MEDIA E ALTA TEMPERATURA**  
WATER COOLED CONDENSING UNITS, CAPILLARY EXPANSION, ASPERA COMPRESSOR, FOR MEDIUM AND HIGH TEMPERATURE

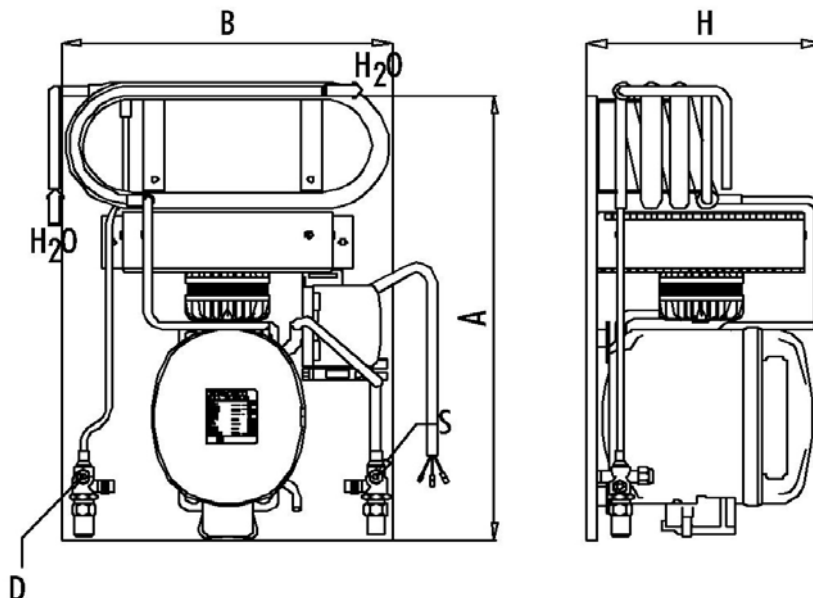
**GROUPES DE CONDENSATION REFRIGERÉ PAR EAU, EXPANSION A CAPILLAIRE, COMPRESSEUR ASPERA, POUR MOYENNE ET HAUTE TEMPERATURE**  
WASSERGEKÜHLTE VERFLÜSSIGUNGSSÄTZE, EXPANSION MIT KAPILLARROHR, ASPERA VERDICHTER, FÜR MITTLERE UND HOHE TEMPERATUR

HA004ZW001 <sup>1</sup>	x	1/4	NB6144GK	4,51	270	2,0	6	10	480	330	222	568	465	380	304	240	0
HA005ZW001 <sup>2</sup>	x	1/4	NB6152GK	4,85	309	2,2	6	10	480	330	222	647	528	428	346	281	0
HA006ZW001 <sup>1</sup>	x	1/4+	NB6165GK	6,00	379	2,6	6	10	480	330	222	781	642	525	424	343	0
HA007ZW001 <sup>1</sup>	x	1/3	NE6181GK	7,40	356	2,5	6	10	480	330	222	974	784	619	478	362	0
HA009ZW001 <sup>1</sup>	x	1/2-	NE6210GK	8,90	445	2,8	6	10	480	330	235	1152	941	757	599	464	0
HA012ZW001 <sup>1</sup>	x	3/4	NE9213GK	12,00	583	2,8	6	10	480	330	248	1671	1375	1115	886	693	0
HA015ZW001	x	3/4+	T6217GK	14,51	743	4,4	6	12	490	385	259	1930	1587	1276	993	741	0
HA017ZW001	x	1-	T6220GK	17,40	864	4,2	6	12	490	385	259	2304	1904	1542	1210	912	0
HA021ZW001	x	1+	J9226GK	21,70	984	4,3	10	12	490	385	303	3105	2520	2020	1597	1252	0
HA026ZW001	x	1,25	J9232GK	26,14	1217	5,9	10	12	490	385	315	3825	3094	2473	1950	1529	0
P-HA032ZW001	x	1,5	J9238GK	32,70	1525	7,1	10	12	600	400	353	4717	3903	3183	2540	1983	1

**Note 1:** Modello in eliminazione - sostituito con la corrispondente unità con compressore NEK  
*Phasing out model - model to be replaced by equivalent condensing unit with NEK compressor*

**Note 2:** Modello in eliminazione - disponibile fino ad esaurimento scorte  
*Phasing out model - available till stock expiry*

**Note 3:** A richiesta è disponibile la versione con valvola pressostatica e pressostato di alta montati: Codice : AC03 e AC03P (PED).  
*Upon request, it is also available the version with pressure regulating valve and fitted high pressure switch : Code : AC03 and AC03P (PED).*



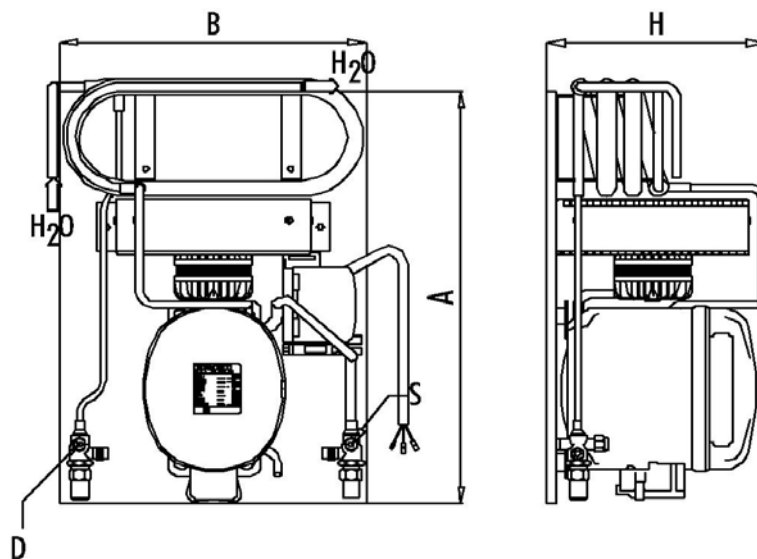
R404A	VOLT		COMPRESSOR			POWER CONSUMPTION		TUBES		U.C. DIMENSIONS			PERFORMANCE ( W )					CAT PED
	230/1/50	400/3/50	HP	MODEL	cm <sup>3</sup>	Win	In	D	S	A	B	H	EVAPORATING TEMP. (°C)					
						Watt	A	mm	mm	mm	mm	mm	0	-5	-10	-15	-20	

**CONDENSAZIONE AD ACQUA, ESPANSIONE A CAPILLARE, COMPRESSORE ASPERA NEK, PER MEDIA E ALTA TEMPERATURA**  
WATER COOLED CONDENSING UNITS, CAPILLARY EXPANSION, ASPERA NEK COMPRESSOR, FOR MEDIUM AND HIGH TEMPERATURE

**GROUPES DE CONDENSATION REFRIDI PAR EAU, EXPANSION A CAPILLAIRE, COMPRESSEUR ASPERA NEK, POUR MOYENNE ET HAUTE TEMPERATURE**  
WASSERGEKÜHLTE VERFLÜSSIGUNGSSÄTZE, EXPANSION MIT KAPILLARROHR, ASPERA NEK VERDICHTER, FÜR MITTLERE UND HOHE TEMPERATUR

HA004ZW051	x	1/4	NEK6144GK	4,50	268	1,7	6	10	480	330	233	677	562	464	387	327	0
HA006ZW051	x	1/3	NEK6165GK	6,20	376	2,2	6	10	480	330	222	907	751	627	526	453	0
HA007ZW051	x	1/3+	NEK6181GK	7,30	409	2,6	6	10	480	330	222	1041	857	702	573	470	0
HA009ZW051	x	1/2	NEK6210GK	8,80	480	2,9	6	10	480	330	235	1240	1033	859	717	609	0
HA012ZW051	x	1/2+	NEK6213GK	12,10	719	4,5	6	10	480	330	248	1654	1374	1141	947	784	0

**Note :** A richiesta è disponibile la versione con valvola pressostatica e pressostato di alta montati (AC03).  
Upon request, it is also available the version with pressure regulating valve and fitted high pressure switch (AC03).



R404A	VOLT		COMPRESSOR			POWER CONSUMPTION		TUBES		U.C. DIMENSIONS			PERFORMANCE (W)					CAT PED
	230/1/50	400/3/50	HP	MODEL ASPERA	cm <sup>3</sup>	Win	In	D	S	A	B	H	EVAPORATING TEMP. (°C)					
						Watt	A	mm	mm	mm	mm	mm	-20	-25	-30	-35	-40	

**CONDENSAZIONE AD ACQUA, ESPANSIONE A VALVOLA**  
**COMPRESSORE ASPERA, BASSA TEMPERATURA**

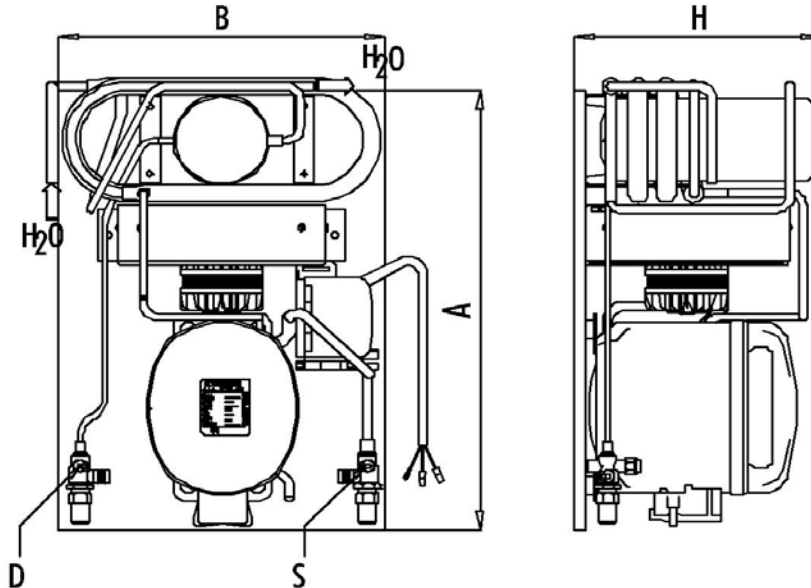
WATER COOLED CONDENSING UNITS, VALVE EXPANSION,  
ASPERA COMPRESSOR, LOW TEMPERATURE

**GROUPES DE CONDENSATION REFROIDIS PAR EAU, EXPANSION**  
**A VANNE, COMPRESSEUR ASPERA, BASSE TEMPERATURE**

WASSERGEKÜHLTE VERFLÜSSIGUNGSSÄTZE, EXPANSION MIT  
VENTIL, ASPERA VERDICHTER, NIEDRIGE TEMPERATUR

LUCN09AW	x	1/3	NE2125GK	8,90	372	2,5	6	10	480	330	235	462	352	260	182	116	0
LUCN12AW	x	1/2	NE2134GK	12,00	471	2,9	6	10	480	330	248	666	517	384	260	144	0
LUCN14AW	x	1/2+	T2155GK	14,50	540	2,5	6	10	480	330	257	765	574	420	295	196	0
LUCN17AW	x	3/4	T2168GK	17,40	705	3,7	6	10	480	330	257	954	738	559	408	283	0
LUCN20AW	x	1-	T2178GK	20,40	788	3,7	6	12	490	385	259	1099	865	666	494	342	0
LUCN26AW	x	1,25	J2192GK	26,10	996	4,7	10	12	490	385	303	1469	1148	875	645	466	0
LUCN26ATW	x	1,25	J2192GS	26,10	996	2,3	10	12	490	385	303	1469	1148	875	645	466	0
LUCN34AW	x	1,5	J2212GK	34,37	1259	6,2	10	12	490	385	315	1972	1533	1149	815	531	0
LUCN34ATW	x	1,5	J2212GS	34,37	1259	2,3	10	12	490	385	315	1972	1533	1149	815	531	0

**Note:** A richiesta è disponibile la versione con valvola pressostatica e pressostato di alta montati (AC03).  
Upon request, it is also available the version with pressure regulating valve and fitted high pressure switch (AC03).



R404A	VOLT		COMPRESSOR			POWER CONSUMPTION		TUBES		U.C. DIMENSIONS			PERFORMANCE (W)					CAT PED
	230/1/50	400/3/50	HP	MODEL ASPERA	cm <sup>3</sup>	Win Watt	In A	D mm	S mm	A mm	B mm	H mm	EVAPORATING TEMP. (°C)					
MODEL													-20	-25	-30	-35	-40	

CONDENSAZIONE AD ACQUA, ESPANSIONE A CAPILLARE, COMPRESSORE ASPERA, BASSA TEMPERATURA

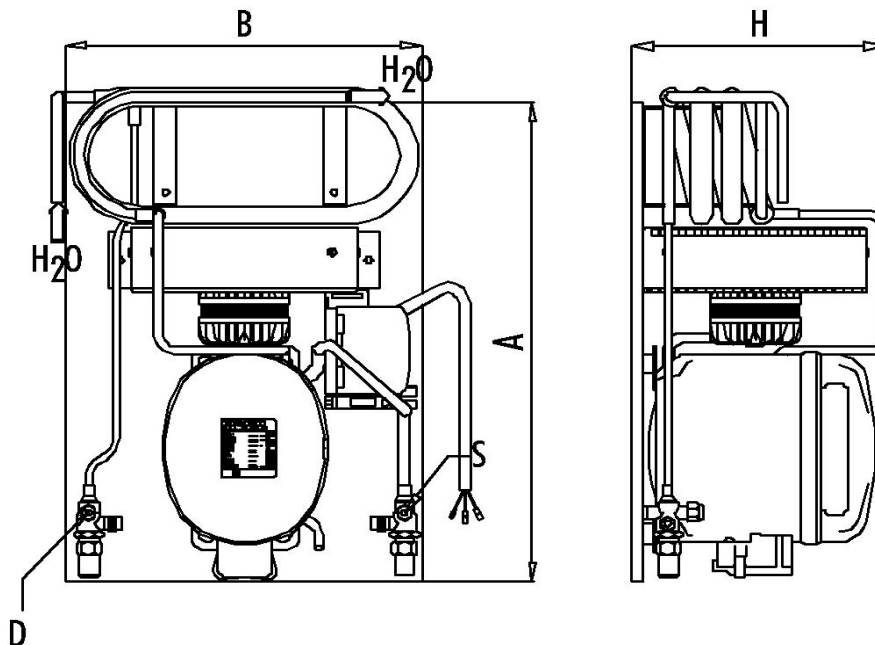
GROUPES DE CONDENSATION REFROIDI PAR EAU, EXPANSION A CAPILLAIRE, COMPRESSEUR ASPERA, BASSE TEMPERATURE

WATER COOLED CONDENSING UNITS, CAPILLARY EXPANSION, ASPERA COMPRESSOR, LOW TEMPERATURE

WASSERGEKÜHLTE VERFLÜSSIGUNGSSÄTZE, EXPANSION MIT KAPILLARROHR, ASPERA VERDICHTER, NIEDRIGE TEMPERATUR

LUCCN09AW	x	1/3	NE2125GK	8,90	372	2,5	6	10	480	330	235	462	352	260	182	116	0
LUCCN12AW	x	1/2	NE2134GK	12,00	471	2,9	6	10	480	330	248	666	517	384	260	144	0
LUCCN14AW	x	1/2+	T2155GK	14,50	540	2,5	6	10	480	330	257	765	574	420	295	196	0
LUCCN17AW	x	3/4	T2168GK	17,40	705	3,7	6	10	480	330	257	954	738	559	408	283	0
LUCCN20AW	x	1-	T2178GK	20,40	788	3,7	6	12	490	385	259	1099	865	666	494	342	0
LUCCN26AW	x	1,25	J2192GK	26,10	996	4,7	10	12	490	385	303	1469	1148	875	645	466	0
LUCCN34AW	x	1,5	J2212GK	34,37	1259	6,2	10	12	490	385	315	1972	1533	1149	815	531	0

**Note:** A richiesta è disponibile la versione con valvola pressostatica e pressostato di alta montati (AC03).  
Upon request, it is also available the version with pressure regulating valve and fitted high pressure switch (AC03).



**UNITÀ CONDENSATRICE AD ACQUA CON COMPRESSORE L' U.H.**  
**WATER COOLED CONDENSING UNIT WITH L' U.H. COMPRESSOR**



**CODE: HU024ZW012**

	H	U	0	2	4	Z	W	0	1	2
0	1	2	3	4	5	6	7			

0	Conformità <i>Conformity</i>	CAT = 0
1	Applicazione <i>Application</i>	H=Alta Temperatura - <i>High temperature</i>
2	Marca compressore <i>Compressor brand</i>	U=L'Unité Hermétique
3	Cilindrata compressore <i>Compressor displacement</i>	24 cm <sup>3</sup>
4	Refrigerante <i>Refrigerant</i>	Z=R404A
5	Condensazione <i>Condensation</i>	W = Ad acqua - <i>by water</i>
6	Espansione e varianti <i>Expansion and variations</i>	01=Espansione a valvola - <i>valve expansion</i>
7	Voltaggio <i>Voltage</i>	2=400/3/50

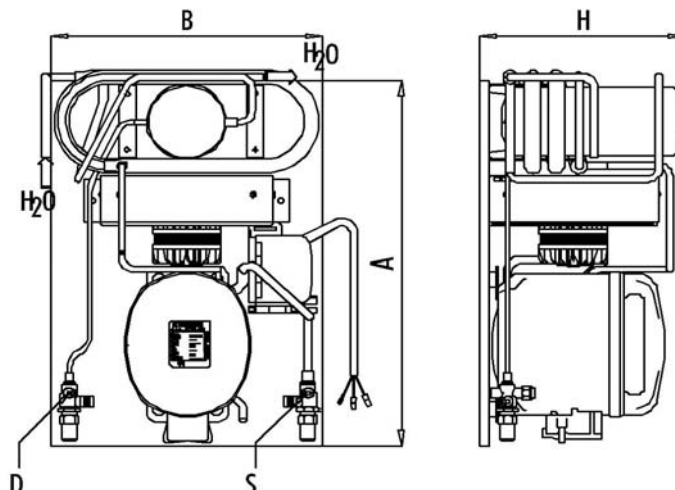


R404A	VOLT		COMPRESSOR			POWER CONSUMPTION		TUBES		U.C. DIMENSIONS			PERFORMANCE ( W )					CAT PED
	230/1/50	400/3/50	HP	MODEL L'U.H.	cm <sup>3</sup>	Win	In	D	S	A	B	H	EVAPORATING TEMP. (°C)					
						Watt	A	mm	mm	mm	mm	mm	0	-5	-10	-15	-20	

CONDENSAZIONE AD ACQUA, ESPANSIONE A VALVOLA, COMPRESSORE L'U.H., PER MEDIA E ALTA TEMPERATURA					GROUPES DE CONDENSATION REFRIGERES PAR EAU, EXPANSION A VANNE, COMPRESSEUR L'U.H., POUR MOYENNE ET HAUTE TEMPERATURE												
WATER COOLED CONDENSING UNITS, VALVE EXPANSION, L'U.H. COMPRESSOR, FOR MEDIUM AND HIGH TEMPERATURE					WASSERGEKÜHLTE VERFLÜSSIGUNGSSÄTZE, EXPANSION MIT VENTIL, L'U.H. VERDICHTER, FÜR MITTLERE UND HOHE TEMPERATUR												
HU004ZW011	x	1/5	AEZ4425Z	4,50	279	1,8	6	10	480	330	233	613	503	405	320	247	0
HU006ZW011	x	1/4	AEZ4430Z	5,70	340	2,3	6	10	480	330	233	783	648	527	422	330	0
HU007ZW011	x	3/8	AEZ4440Z	7,55	431	2,5	6	10	480	330	223	990	811	656	522	407	0
HU009ZW011	x	3/7	CAE4450Z	9,40	522	3,5	6	10	480	330	241	1313	1079	874	703	567	0
HU011ZW011	x	1/2	CAE9460Z	11,30	543	2,9	6	10	480	330	241	1621	1343	1094	877	697	0
HU013ZW011	x	1/2	CAE9470Z	13,30	677	3,3	6	10	480	330	244	1971	1636	1339	1081	870	0
HU015ZW011	x	5/8	CAJ9480Z	15,20	737	3,3	6	12	490	385	294	2284	1902	1561	1258	994	0
HU015ZW012	x	5/8	TAJ9480Z	15,20	737	1,7	6	12	490	385	305	2284	1902	1561	1258	994	0
HU018ZW011	x	1	CAJ9510Z	18,30	894	4,1	10	12	490	385	305	2807	2343	1923	1554	1241	0
HU018ZW012	x	1	TAJ9510Z	18,30	894	1,9	10	12	490	385	305	2807	2343	1923	1554	1241	0
HU024ZW011	x	1,2	CAJ9513Z	24,20	1057	4,8	10	12	490	385	305	3530	2893	2323	1820	1379	0
HU024ZW012	x	1,2	TAJ9513Z	24,20	1057	2,1	10	12	490	385	305	3530	2893	2323	1820	1379	0
HU026ZW011	x	1,25	CAJ4517Z	25,90	1187	5,6	10	12	490	385	313	4047	3354	2737	2206	-	0
HU026ZW012	x	1,25	TAJ4517Z	25,90	1245	2,8	10	12	490	385	313	4047	3354	2737	2206	-	0
P-HU034ZW011	x	1,5	CAJ4519Z	34,50	1660	7,6	10	12	600	400	353	4956	4082	3319	2652	-	1
P-HU034ZW012	x	1,5	TAJ4519Z	34,50	1584	3,5	10	12	600	400	353	4956	4082	3319	2652	-	1
P-HU044ZW012	x	2	TFH4524Z	43,50	1796	3,8	10	16	600	400	392	5929	4822	3844	2986	-	1
P-HU057ZW012	x	2,5	TFH4531Z	56,70	2203	4,2	10	22	600	400	392	7515	6162	4974	3930	-	1
P-HU074ZW012	x	3	TFH4540Z	74,20	2972	6,6	10	22	600	400	408	9574	7882	6401	5102	-	1
P-HU090ZW012*	x	4	TAG4546Z	90,20	2983	5,6	12	22	600	400	416	11467	9121	7108	5397	-	2
P-HU113ZW012*	x	5	TAG4561Z	112,50	3849	6,3	12	28	600	400	429	14213	11435	9058	7035	-	2

**Note:** A richiesta è disponibile la versione con valvola pressostatica e pressostato di alta montati: Codice : AC03 e AC03P (PED).  
Upon request, it is also available the version with pressure regulating valve and fitted high pressure switch : Code : AC03 and AC03P (PED).

\* Codice listino per valvola pressostatica montata (AC15P)  
List code for pressure regulating valve fitted (AC15P)



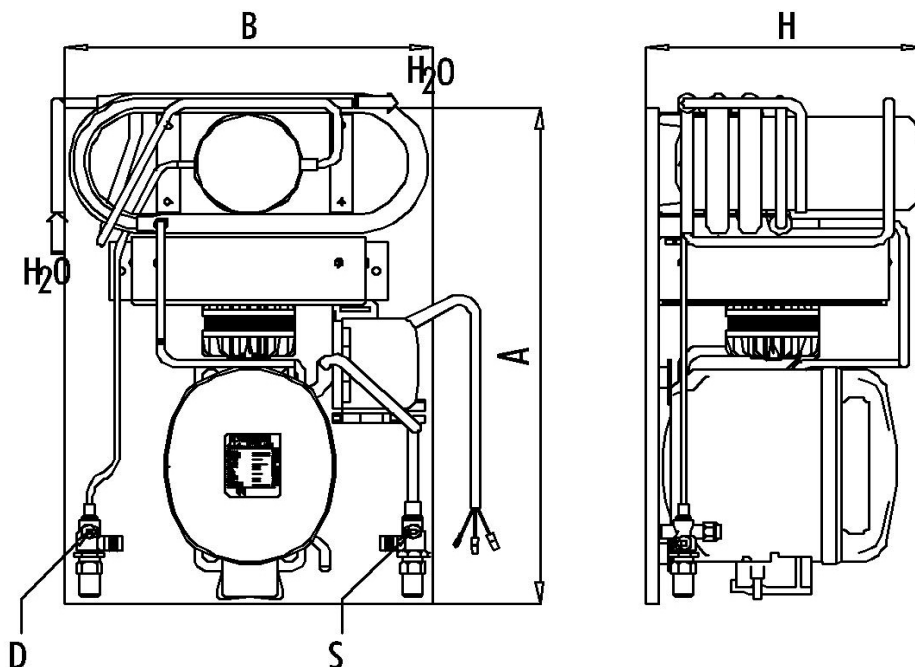
Letture codice "B" - pag. 4  
Model designation "B" - page 4

R404A	VOLT		COMPRESSOR			POWER CONSUMPTION		TUBES		U.C. DIMENSIONS			PERFORMANCE ( W )					CAT PED
	230/150	400/350	HP	MODEL L' U.H.	cm <sup>3</sup>	Win	In	D	S	A	B	H	EVAPORATING TEMP. (°C)					
						Watt	A	mm	mm	mm	mm	mm	-20	-25	-30	-35	-40	

CONDENSAZIONE AD ACQUA, ESPANSIONE A VALVOLA, COMPRESSORE L' U.H., BASSA TEMPERATURA						GROUPES DE CONDENSATION REFROIDIS PAR EAU, EXPANSION A VANNE, COMPRESSEUR L' U.H., BASSE TEMPERATURE											
WATER COOLED CONDENSING UNITS, VALVE EXPANSION L' U.H. COMPRESSOR, LOW TEMPERATURE						WASSERGEKÜHLTE VERFLÜSSIGUNGSSÄTZE, EXPANSION MIT VENTIL, L' U.H. VERDICHTER, NIEDRIGE TEMPERATUR											
LUCN11UW	x	7/16	CAE2417Z	11,30	435	2,3	6	10	480	330	241	579	452	335	229	132	0
LUCN15UW	x	1/2	CAJ2428Z	15,20	632	3,8	6	12	490	385	294	779	598	448	322	220	0
LUCN18UW	x	5/8	CAJ2432Z	18,30	685	3,1	6	12	490	385	294	977	749	557	397	267	0
LUCN26UW	x	1	CAJ2446Z	26,15	1005	4,6	10	12	490	385	305	1449	1141	874	646	454	0
LUCN26UTW	x	1	TAJ2446Z	26,15	989	1,9	10	12	490	385	305	1449	1141	874	646	454	0
LUCN34UW	x	1,5	CAJ2464Z	34,45	1305	6,1	10	12	490	385	305	1855	1463	1127	846	611	0
LUCN34UTW	x	1,5	TAJ2464Z	34,45	1306	2,6	10	12	490	385	305	1855	1463	1127	846	611	0
P-LUCN53UTW	x	2	TFH2480Z	53,20	1892	3,5	12	16	600	400	392	2694	2131	1630	1188	800	1
P-LUCN74UTW	x	3	TFH2511Z	74,25	2363	4,5	12	16	600	400	392	3769	2909	2175	1559	1051	1
P-LUCN113UTW*	x	4	TAG2516Z	112,50	3361	5,5	12	22	600	400	429	5543	4279	3255	2477	1947	2
P-LUCN135UTW*	x	5	TAG2522Z	134,80	4032	7,2	12	28	600	400	441	6942	5459	4267	3374	2783	2

**Note:** A richiesta è disponibile la versione con valvola pressostatica e pressostato di alta montati: Codice : AC03 e AC03P (PED).  
Upon request, it is also available the version with pressure regulating valve and fitted high pressure switch : Code : AC03 and AC03P (PED).

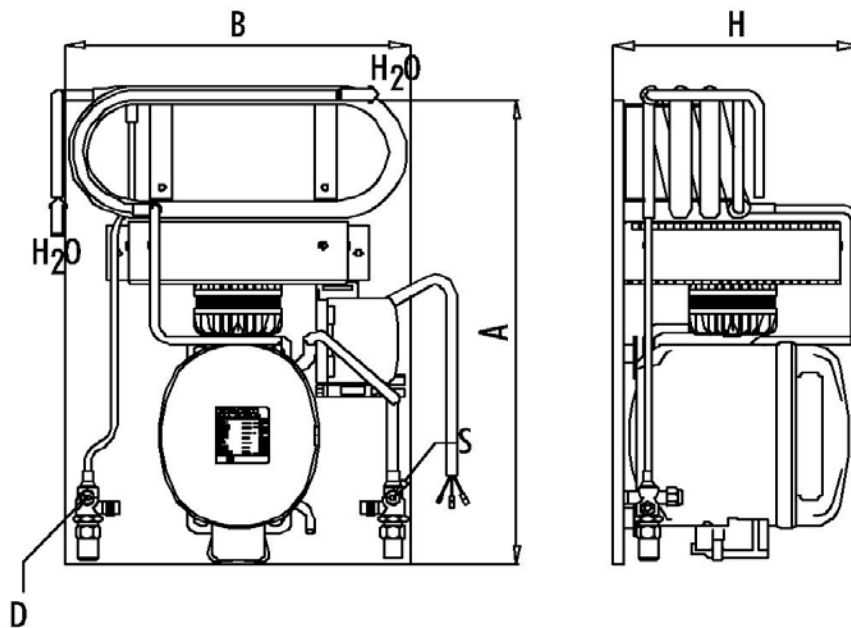
\* Codice listino per valvola pressostatica montata (AC15P)  
List code for pressure regulating valve fitted (AC15P)



R404A	VOLT		COMPRESSOR			POWER CONSUMPTION		TUBES		U.C. DIMENSIONS			PERFORMANCE ( W )					CAT PED
	230/1/50	400/3/50	HP	MODEL L' U.H.	cm <sup>3</sup>	Win	In	D	S	A	B	H	EVAPORATING TEMP. (°C)					
						Watt	A	mm	mm	mm	mm	mm	-20	-25	-30	-35	-40	

CONDENSAZIONE AD ACQUA, ESPANSIONE A CAPILLARE, COMPRESSORE L' U.H., BASSA TEMPERATURA						GROUPES DE CONDENSATION REFROIDIS PAR EAU, EXPANSION A CAPILLAIRE, COMPRESSEUR L' U.H., BASSE TEMPERATURE											
WATER COOLED CONDENSING UNITS, CAPILLARY EXPANSION L' U.H. COMPRESSOR, FOR LOW TEMPERATURE						WASSERGEKÜHLTE VERFLÜSSIGUNGSSÄTZE, EXPANSION MIT KAPILLARROHR, L' U.H. VERDICHTER, NIEDRIGE TEMPERATUR											
LUCCN11UW	x	7/16	CAE2417Z	11,30	435	2,3	6	10	480	330	241	579	452	335	229	132	0
LUCCN15UW	x	1/2	CAJ2428Z	15,20	632	3,8	6	12	490	385	294	779	598	448	322	220	0
LUCCN18UW	x	5/8	CAJ2432Z	18,30	685	3,1	6	12	490	385	294	977	749	557	397	267	0
LUCCN26UW	x	1	CAJ2446Z	26,15	1005	4,6	10	12	490	385	305	1449	1141	874	646	454	0
LUCCN34UW	x	1,5	CAJ2464Z	34,45	1305	6,1	10	12	490	385	305	1855	1463	1127	846	611	0

**Note:** A richiesta è disponibile la versione con valvola pressostatica e pressostato di alta montati (AC03).  
Upon request, it is also available the version with pressure regulating valve and fitted high pressure switch (AC03).



**UNITÀ CONDENSATRICE AD ACQUA CON COMPRESSORE MANEUROP**  
**WATER COOLED CONDENSING UNIT WITH MANEUROP COMPRESSOR**



**CODE: P-MUCY38W**

P	M	U	C	Y	3	8		W
0	1	2	3	4	5	6		

0	Conformità <i>Conformity</i>	P- = Unità condensatrice conforme alla Direttiva 97/23 CE (P.E.D.) <i>P- = Condensing unit 97/23 CE (P.E.D.) compliant</i>
1	Applicazione <i>Application</i>	M=Alta temperatura, compressore Maneurop <i>M=High temperature, Maneurop compressor</i>
2	Espansione <i>Expansion</i>	UC = espansione a valvola - <i>valve expansion</i>
3	Refrigerante <i>Refrigerant</i>	Y=R404A
4	Cilindrata <i>Displacement</i>	38 cm <sup>3</sup>
5	Tensione <i>Voltage</i>	230/1/50
6	Condensazione <i>Condensation</i>	W = Condensazione ad acqua - <i>condensation by water</i>

R404A MODEL	VOLT		COMPRESSOR			POWER CONSUMPTION		TUBES		U.C. DIMENSIONS			PERFORMANCE ( W )					CAT PED
	230/1/50	400/3/50	HP	MODEL MANEUROP	cm <sup>3</sup>	Win	In	D	S	A	B	H	EVAPORATING TEMP. (°C)					
						Watt	A	mm	mm	mm	mm	mm	0	-5	-10	-15	-20	

**UNITA' CONDENSATRICI AD ACQUA**

ESPANSIONE A VALVOLA, COMPRESSORE MANEUROP,  
PER MEDIA E ALTA TEMPERATURA

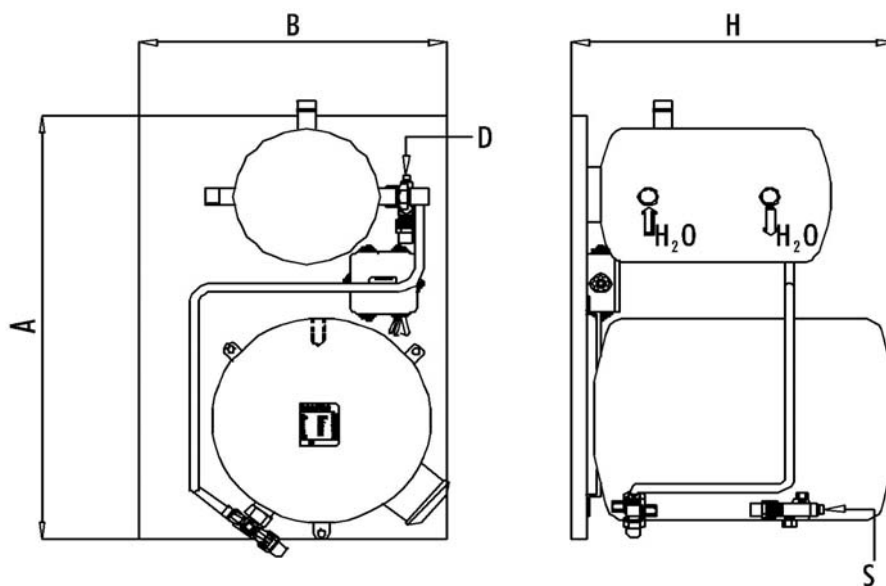
WATER CONDENSING UNITS, VALVE EXPANSION,  
MANEUROP COMPRESSOR,  
FOR MEDIUM AND HIGH TEMPERATURE

GROUPES DE CONDENSATION REFRIGERÉ PAR EAU,  
EXPANSION A VANNE, COMPRESSEUR MANEUROP,  
POUR MOYENNE ET HAUTE TEMPERATURE

WASSERGEKÜHLTE VERFLÜSSIGUNGSSÄTZE,  
EXPANSION MIT VENTIL, MANEUROP VERDICHTER,  
FÜR MITTLERE UND HOHE TEMPERATUR

P-MUCY30W	x	1,5	MTZ18JA5	30,23	1224	6,1	10	12	600	400	355	4214	3338	2593	1965	1453	1
P-MUCY30TW	x	1,5	MTZ18JA4	30,23	1224	2,8	10	12	600	400	355	4214	3338	2593	1965	1453	1
P-MUCY38W	x	1,8	MTZ22JC5	38,00	1574	6,9	10	16	600	400	355	5450	4470	3604	2849	2204	1
P-MUCY38TW	x	1,8	MTZ22JC4	38,00	1574	3,1	10	16	600	400	355	5450	4470	3604	2849	2204	1
P-MUCY48W	x	2,3	MTZ28JE5	48,00	1991	9,7	12	16	600	400	355	6829	5562	4463	3519	2729	1
P-MUCY48TW	x	2,3	MTZ28JE4	48,00	1991	4,1	12	16	600	400	355	6829	5562	4463	3519	2729	1
P-MUCY54W	x	2,7	MTZ32JF5	53,80	2369	10,2	12	18	600	400	380	7910	6367	5036	3903	2965	1
P-MUCY54TW	x	2,7	MTZ32JF4	53,80	2369	4,4	12	18	600	400	380	7910	6367	5036	3903	2965	1
P-MUCY60W	x	3	MTZ36JG5	60,40	2771	13,3	12	18	600	400	380	8901	7228	5794	4581	3583	1
P-MUCY60TW	x	3	MTZ36JG4	60,40	2771	5,1	12	18	600	400	380	8901	7228	5794	4581	3583	1
P-MUCY68TW	x	3,5	MTZ40JH4	67,80	3082	6,1	12	18	600	400	380	9781	7970	6390	5020	3862	1
P-MUCY77TW	x	3,75	MTZ44HJ4	76,20	3253	6,5	12	22	600	400	440	11169	8899	6984	5387	4104	2
P-MUCY86TW	x	4	MTZ50HK4	85,60	3720	6,7	12	22	600	400	440	13119	10518	8314	6469	4972	2
P-MUCY107TW	x	5,3	MTZ64HM4	107,60	4695	8,5	12	22	600	400	440	16491	13410	10731	8419	6476	2

**Note:** A richiesta è disponibile la versione con valvola pressostatica montata (AC15P).  
Upon request, it is also available the version with fitted pressure regulating valve (AC15P).



Letture codice "C" - pag. 5  
Model designation "C" - page 5

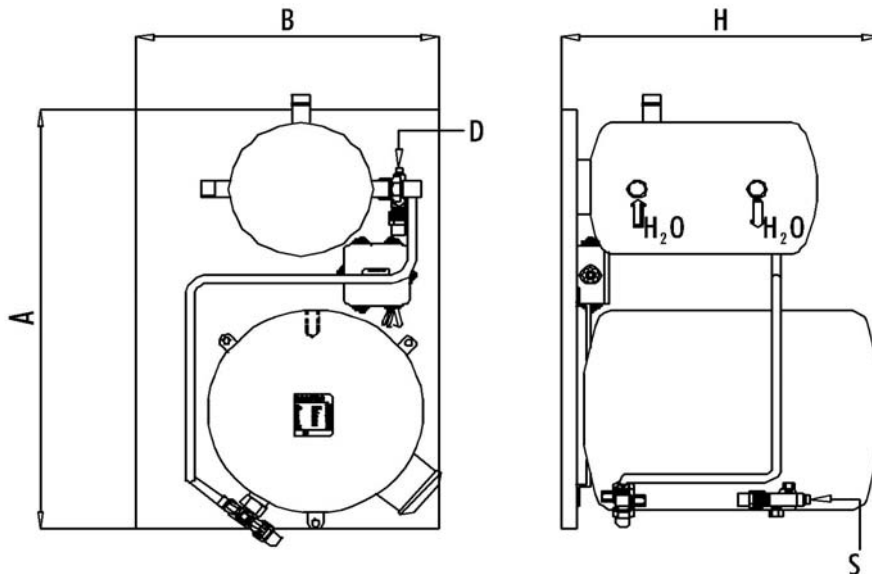
R404A MODEL	VOLT		COMPRESSOR			POWER CONSUMPTION		TUBES		U.C. DIMENSIONS			PERFORMANCE (W)					CAT PED
	230/1/50	400/3/50	HP	MODEL MANEUROP	cm <sup>3</sup>	Win	In	D	S	A	B	H	EVAPORATING TEMP. (°C)					
						Watt	A						mm	mm	mm	mm	mm	

**UNITA' CONDENSATRICI AD ACQUA**  
ESPANSIONE A VALVOLA, COMPRESSORE MANEUROP,  
PER BASSA TEMPERATURA  
WATER COOLED CONDENSING UNITS, VALVE EXPANSION,  
MANEUROP COMPRESSOR, FOR LOW TEMPERATURE

GROUPES DE CONDENSATION REFROIDI PAR EAU,  
EXPANSION A VANNE, COMPRESSEUR MANEUROP,  
POUR BASSE TEMPERATURE  
WASSERGEKÜHLTE VERFLÜSSIGUNGSSÄTZE,  
EXPANSION MIT VENTIL, MANEUROP VERDICHTER,  
FÜR NIEDRIGE TEMPERATUR

P-LUCN22MW	x	1,83	LTZ22JEVE5	48,00	1621	7,5	12	16	600	400	355	2593	1972	1456	1034	700	1
P-LUCN22MTW	x	1,83	LTZ22JE4	48,00	1621	3,0	12	16	600	400	355	2593	1972	1456	1034	700	1
P-LUCN28MW	x	2,33	LTZ28JHVE5	66,80	2383	12,8	12	16	600	400	355	3662	2833	2146	1584	1171	1
P-LUCN28MTW	x	2,33	LTZ28JH4	66,80	2383	4,7	12	16	600	400	355	3662	2833	2146	1584	1171	1
P-LUCN40MTW	x	3,33	LTZ40HLVE4	96,10	3573	6,4	12	22	600	400	440	5693	4370	3285	2417	1682	2
P-LUCN44MTW	x	3,66	LTZ44HMVE4	108,00	3954	7,0	12	22	600	400	440	6525	4983	3703	2659	1761	2
P-LUCN50MTW	x	4,16	LTZ50HPVE4	136,00	5191	8,7	12	28	600	400	440	8116	6355	4870	3637	2516	2

**Note:** A richiesta è disponibile la versione con valvola pressostatica montata (AC15P).  
Upon request, it is also available the version with fitted pressure regulating valve (AC15P).



Rev 02 07 07



**RIVACOLD**

s.r.l. - Costruzione Gruppi Frigoriferi e Accessori

Via Sicilia, 7 - 61020 Montecchio (PU) Italy - tel. ++39-0721-919911 - Fax ++39-0721-490015

Internet: [www.rivacold.com](http://www.rivacold.com) / E\_mail: [info@rivacold.com](mailto:info@rivacold.com)