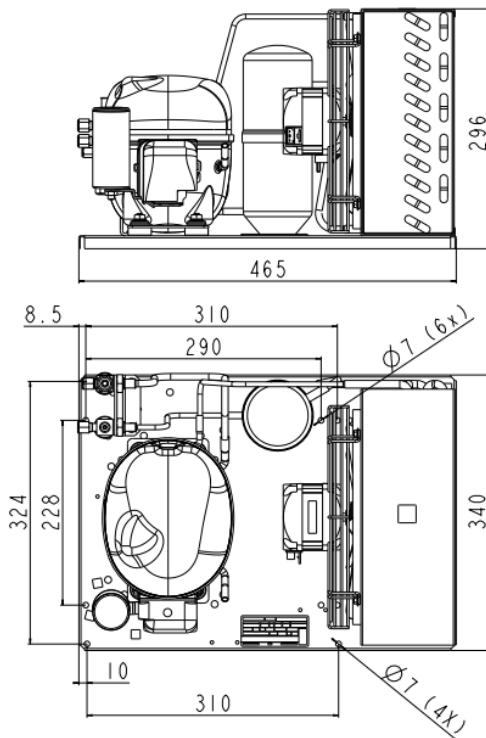


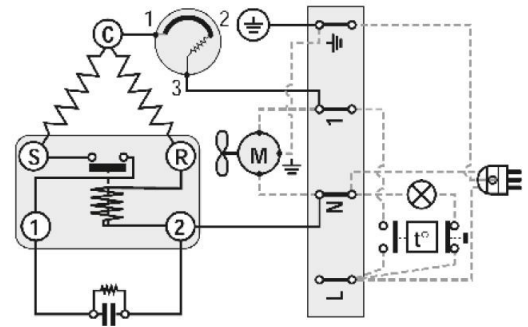
### GENERAL DATA

<b>Application:</b>	M/HBP
<b>Refrigerant:</b>	R404A
<b>Expansion Device:</b>	C-V
<b>Weight:</b>	21 kg
<b>Receiver:</b>	1.1 liter
<b>Voltage/Frequency:</b>	220 - 240 V 50 ~
<b>Height:</b>	21 mm
<b>Length:</b>	465 mm
<b>Width:</b>	340 mm
<b>Institute Approvals:</b>	<b>CE</b>

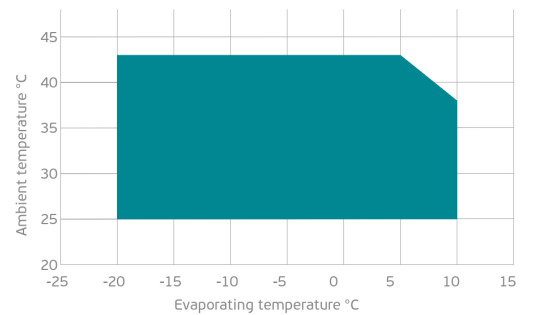
### EXTERNAL DIMENSIONS



### WIRING DIAGRAM



### OPERATING ENVELOPE



### COMPONENTS (SPARE PARTS)

<b>compressor:</b>	NEK6181GK	957MA51..AN	<b>condenser:</b>	3R11T	2451206
<b>elkit:</b>	ELKOM NEK6181GK	957MA51N1A	<b>fankit:</b>	16W 254/28°/5B	1996610
<b>valve_suca:</b>	FLARE 3/8"	2110059	<b>valve_disch:</b>	FLARE 1/4"	2110085

For additional accessories please contact our technical support

**ELECTRICAL DATA**

**Motor Type:** CSIR -  
**Locked Rotor Amperage (RLA):** 12 A  
**Max.Current:** 2.7 A

At maximum evaporating temperature and maximum ambient temperature.

**FAN MOTOR**

**Number:** 1 -  
**Shaft Power:** 16 W  
**Air Flow:** 595 m<sup>3</sup>/hod  
**Blade Diameter:** 254 mm

**PERFORMANCE CURVE DATA**

Standard: EN13215-RG20 / return gas 20°C, subcooling 3K

50 Hz

	Evaporating Temperature (°C)	Cooling Capacity (W)	Power Consumption (W)	Current Consumption (A)	Efficiency (W/W)
<b>25°C</b> Ambient Temperature	10°C	1 310	539	3.21	2.43
	5°C	1 134	507	3.08	2.24
	0°C	975	475	2.97	2.05
	-5°C	831	444	2.85	1.87
	Rated point -10°C	700	413	2.75	1.70
	-15°C	582	384	2.66	1.52
	-20°C	475	357	2.58	1.33
<b>32°C</b> Ambient Temperature	10°C	1 215	577	3.34	2.11
	5°C	1 053	540	3.19	1.95
	0°C	906	504	3.05	1.80
	-5°C	773	467	2.92	1.65
	Rated point -10°C	653	432	2.80	1.51
	-15°C	544	399	2.69	1.37
	-20°C	446	368	2.59	1.21
<b>43°C</b> Ambient Temperature	5°C	931	609	3.45	1.53
	0°C	799	561	3.25	1.42
	-5°C	681	513	3.07	1.33
	Rated point -10°C	573	467	2.90	1.23
	-15°C	475	423	2.75	1.12
	-20°C	386	381	2.61	1.01