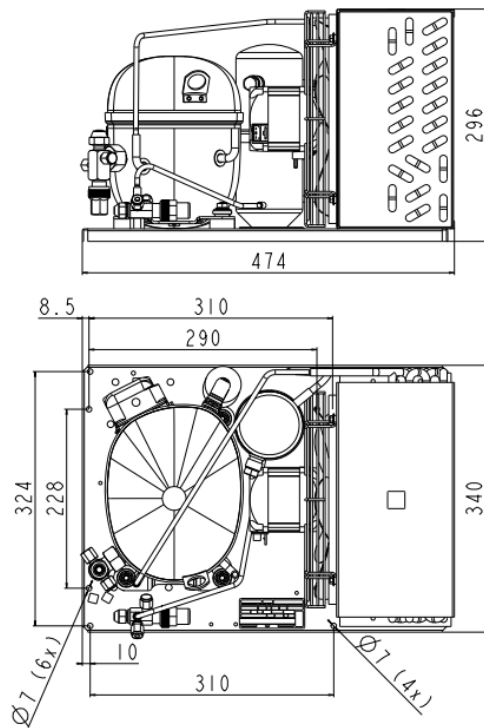


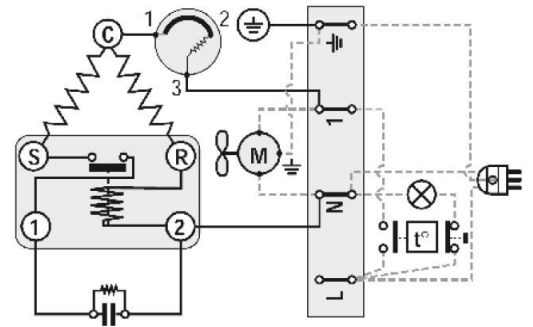
GENERAL DATA

| | |
|-----------------------------|------------------|
| Application: | LBP |
| Refrigerant: | R404A |
| Expansion Device: | C-V |
| Weight: | 27.6 kg |
| Receiver: | 1.2 liter |
| Voltage/Frequency: | 220 - 240 V 50 ~ |
| Height: | 27.6 mm |
| Length: | 474 mm |
| Width: | 340 mm |
| Institute Approvals: | CE |

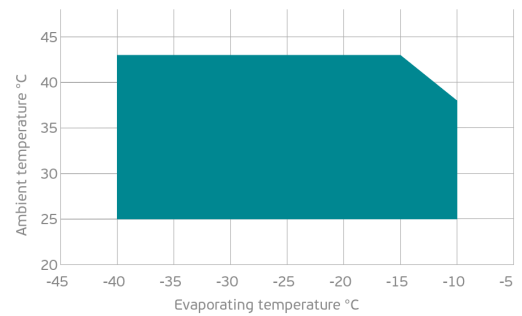
EXTERNAL DIMENSIONS



WIRING DIAGRAM



OPERATING ENVELOPE



COMPONENTS (SPARE PARTS)

| | | |
|---------------------|----------------|------------|
| fankit: | 16W 254/28°/5B | 1996579 |
| valve_disch: | SOLDER 1/4" | 2110047 |
| elkit: | ELKOM NT2178GK | 922EA0413A |

| | | |
|--------------------|-------------|-------------|
| condenser: | 4R11T | 2451217 |
| valve_suca: | SOLDER 3/8" | 2110049 |
| compressor: | NT2178GK | 922EA09..AC |

For additional accessories please contact our technical support

ELECTRICAL DATA

Motor Type: CSIR -
Locked Rotor Amperage (RLA): 25 A
Max.Current: 4.24 A

At maximum evaporating temperature and maximum ambient temperature.

FAN MOTOR

Number: 1 -
Shaft Power: 16 W
Air Flow: 460 m³/hod
Blade Diameter: 254 mm

PERFORMANCE CURVE DATA

Standard: EN13215-RG20 / return gas 20°C, subcooling 3K

50 Hz

| | Evaporating Temperature (°C) | Cooling Capacity (W) | Power Consumption (W) | Current Consumption (A) | Efficiency (W/W) |
|------------------------------------|------------------------------|----------------------|-----------------------|-------------------------|------------------|
| 25°C Ambient Temperature | -10°C | 1 387 | 920 | 5.26 | 1.51 |
| | -15°C | 1 191 | 810 | 4.82 | 1.47 |
| | -20°C | 994 | 714 | 4.45 | 1.39 |
| | -25°C | 806 | 629 | 4.14 | 1.28 |
| | -30°C | 638 | 553 | 3.89 | 1.15 |
| | Rated point -35°C | 499 | 484 | 3.67 | 1.03 |
| | -40°C | 399 | 418 | 3.48 | 0.96 |
| 32°C Ambient Temperature | -10°C | 1 262 | 950 | 5.43 | 1.33 |
| | -15°C | 1 083 | 834 | 4.96 | 1.30 |
| | -20°C | 903 | 734 | 4.58 | 1.23 |
| | -25°C | 731 | 647 | 4.26 | 1.13 |
| | -30°C | 578 | 570 | 4.00 | 1.02 |
| | Rated point -35°C | 455 | 500 | 3.79 | 0.91 |
| | -40°C | 371 | 435 | 3.61 | 0.85 |
| 43°C Ambient Temperature | -15°C | 842 | 886 | 5.15 | 0.95 |
| | -20°C | 698 | 771 | 4.70 | 0.91 |
| | -25°C | 562 | 669 | 4.33 | 0.84 |
| | -30°C | 444 | 580 | 4.03 | 0.77 |
| | Rated point -35°C | 356 | 500 | 3.78 | 0.71 |
| | -40°C | 306 | 426 | 3.57 | 0.72 |