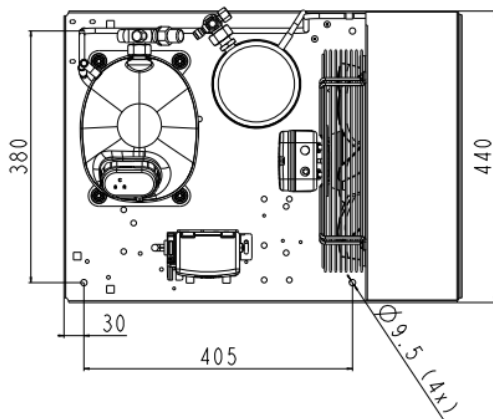
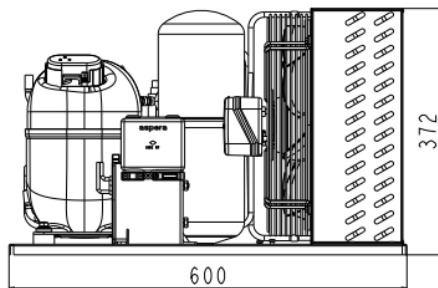


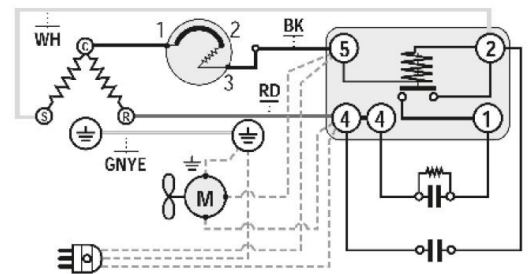
GENERAL DATA

Application:	M/HBP
Refrigerant:	R404A
Expansion Device:	C-V
Weight:	46 kg
Receiver:	3.9 liter
Voltage/Frequency:	230 V 50 ~
Height:	46 mm
Length:	600 mm
Width:	440 mm
Institute Approvals:	CE

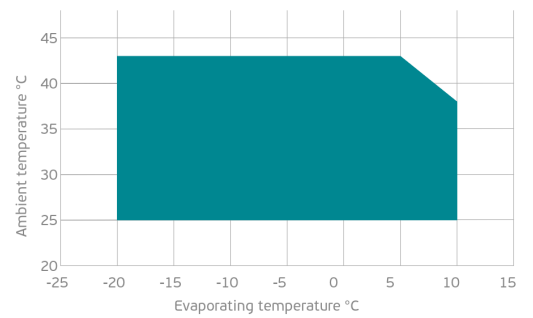
EXTERNAL DIMENSIONS



WIRING DIAGRAM



OPERATING ENVELOPE



COMPONENTS (SPARE PARTS)

condenser:	4R14T	2451199
fankit:	S4E300-XX	1996589
elkit:	ELKOM NJ9238GK	943RV1904A

valve_suca:	SOLDER 5/8"	2110054
compressor:	NJ9238GK	943RV19..AC
valve_disch:	SOLDER 1/2"	2110050

For additional accessories please contact our technical support

ELECTRICAL DATA

Motor Type: CSR -
Locked Rotor Amperage (RLA): 43 A
Max.Current: 10.1 A

At maximum evaporating temperature and maximum ambient temperature.

FAN MOTOR

Number: 1 -
Shaft Power: 95 W
Air Flow: 1300 m³/hod
Blade Diameter: - mm

PERFORMANCE CURVE DATA

Standard: EN13215-RG20 / return gas 20°C, subcooling 3K

50 Hz

	Evaporating Temperature (°C)	Cooling Capacity (W)	Power Consumption (W)	Current Consumption (A)	Efficiency (W/W)
25°C Ambient Temperature	10°C	4 373	2 405	11.07	1.82
	5°C	3 965	2 178	10.03	1.82
	0°C	3 554	1 966	9.08	1.81
	-5°C	3 143	1 770	8.22	1.78
	Rated point -10°C	2 735	1 589	7.45	1.72
	-15°C	2 330	1 425	6.77	1.64
	-20°C	1 931	1 276	6.18	1.51
32°C Ambient Temperature	10°C	3 989	2 480	11.41	1.61
	5°C	3 601	2 245	10.34	1.60
	0°C	3 217	2 026	9.36	1.59
	-5°C	2 840	1 824	8.48	1.56
	Rated point -10°C	2 472	1 638	7.69	1.51
	-15°C	2 114	1 468	6.98	1.44
	-20°C	1 769	1 316	6.37	1.34
43°C Ambient Temperature	5°C	3 112	2 331	10.74	1.33
	0°C	2 727	2 099	9.70	1.30
	-5°C	2 360	1 885	8.76	1.25
	Rated point -10°C	2 012	1 689	7.91	1.19
	-15°C	1 686	1 511	7.16	1.12
	-20°C	1 383	1 351	6.50	1.02