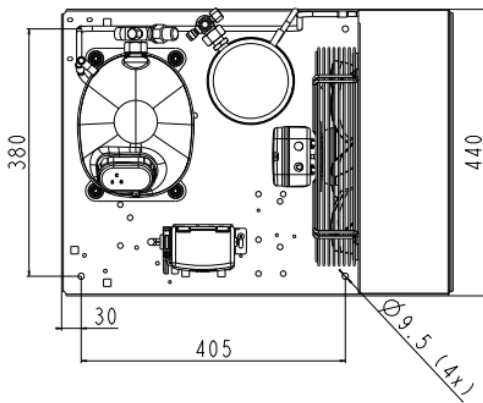
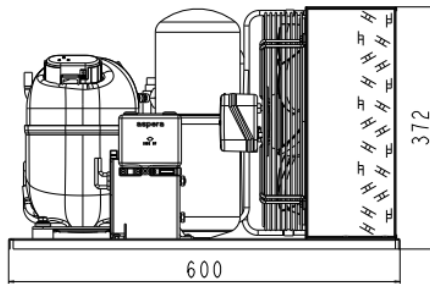


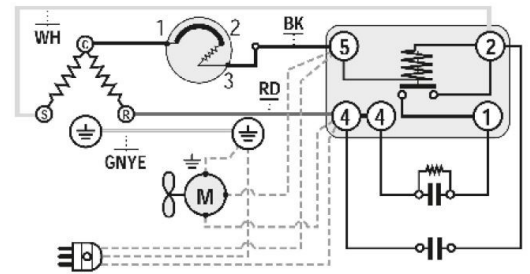
GENERAL DATA

Application:	M/HBP
Refrigerant:	R404A
Expansion Device:	C-V
Weight:	45.1 kg
Receiver:	3.9 liter
Voltage/Frequency:	220 - 240 V 50 ~
Height:	45.1 mm
Length:	600 mm
Width:	440 mm
Institute Approvals:	CE

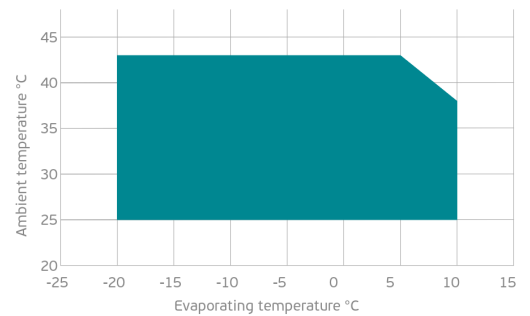
EXTERNAL DIMENSIONS



WIRING DIAGRAM



OPERATING ENVELOPE



COMPONENTS (SPARE PARTS)

valve_suca:	SOLDER 5/8"	2110054
compressor:	NJ9232GK	943NA19..AC
fankit:	S4E300-XX	1996589

elkit:	ELKOM NJ9232GK	943NA1104A
condenser:	3R14T	2451198
valve_disch:	SOLDER 1/2"	2110050

For additional accessories please contact our technical support

ELECTRICAL DATA

Motor Type: CSR -
Locked Rotor Amperage (RLA): 43 A
Max.Current: 8.12 A

At maximum evaporating temperature and maximum ambient temperature.

FAN MOTOR

Number: 1 -
Shaft Power: 95 W
Air Flow: 1450 m³/hod
Blade Diameter: - mm

PERFORMANCE CURVE DATA

Standard: EN13215-RG20 / return gas 20°C, subcooling 3K

50 Hz

	Evaporating Temperature (°C)	Cooling Capacity (W)	Power Consumption (W)	Current Consumption (A)	Efficiency (W/W)
25°C Ambient Temperature	10°C	4 156	1 775	8.28	2.34
	5°C	3 634	1 624	7.63	2.24
	0°C	3 146	1 484	7.02	2.12
	-5°C	2 695	1 355	6.45	1.99
	Rated point -10°C	2 280	1 237	5.92	1.84
	-15°C	1 904	1 129	5.43	1.69
	-20°C	1 566	1 031	4.98	1.52
32°C Ambient Temperature	10°C	3 688	1 820	8.49	2.03
	5°C	3 255	1 667	7.81	1.95
	0°C	2 845	1 523	7.17	1.87
	-5°C	2 458	1 390	6.57	1.77
	Rated point -10°C	2 096	1 266	6.02	1.66
	-15°C	1 760	1 152	5.51	1.53
	-20°C	1 450	1 046	5.04	1.39
43°C Ambient Temperature	5°C	2 538	1 758	8.24	1.44
	0°C	2 238	1 605	7.54	1.39
	-5°C	1 942	1 461	6.88	1.33
	Rated point -10°C	1 651	1 324	6.27	1.25
	-15°C	1 366	1 196	5.70	1.14
	-20°C	1 088	1 074	5.18	1.01