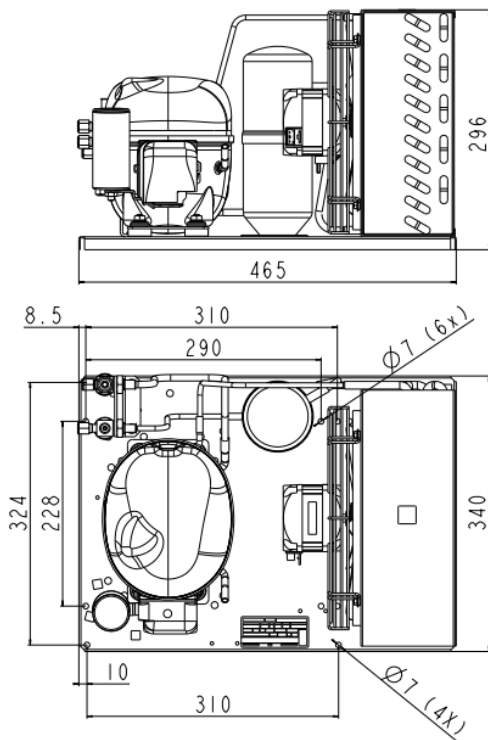


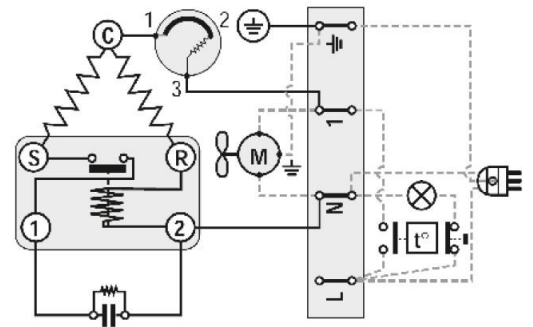
GENERAL DATA

Application:	M/HBP
Refrigerant:	R404A
Expansion Device:	C-V
Weight:	22.6 kg
Receiver:	1.1 liter
Voltage/Frequency:	220 - 240 V 50 ~
Height:	22.6 mm
Length:	465 mm
Width:	340 mm
Institute Approvals:	CE

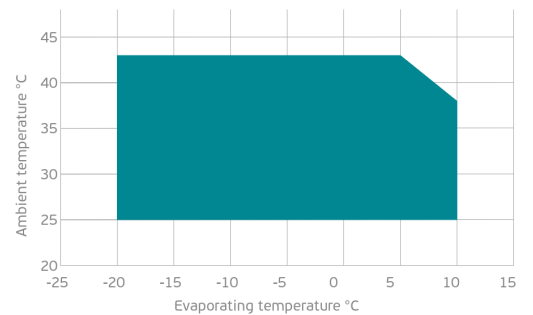
EXTERNAL DIMENSIONS



WIRING DIAGRAM



OPERATING ENVELOPE



COMPONENTS (SPARE PARTS)

condenser:	3R11T	2451206
valve_suca:	FLARE 3/8"	2110059
compressor:	NEK6213GK	959BA51..AN

fankit:	16W 254/28/5B	1996579
valve_disch:	FLARE 1/4"	2110085
elkit:	ELKOM NEK6213GK	959BA51N1A

For additional accessories please contact our technical support

ELECTRICAL DATA

Motor Type:	CSIR -
Locked Rotor Amperage (LRA):	19.3 A
Max.Current:	5.97 A

At maximum evaporating temperature and maximum ambient temperature.

FAN MOTOR

Number:	1 -
Shaft Power:	16 W
Air Flow:	595 m ³ /h
Blade Diameter:	254 mm

PERFORMANCE CURVE DATA

Standard: EN13215-RG20 / return gas 20°C, subcooling 3K

50 Hz

	Evaporating Temperature (°C)	Cooling Capacity (W)	Power Consumption (W)	Current Consumption (A)	Efficiency (W/W)
25 °C Ambient Temperature	10°C	1 814	979	5.36	1.85
	5°C	1 625	884	4.96	1.84
	0°C	1 439	797	4.61	1.81
	-5°C	1 259	720	4.31	1.75
	Rated point -10°C	1 084	650	4.06	1.67
	-15°C	915	590	3.85	1.55
	-20°C	751	537	3.69	1.40
32 °C Ambient Temperature	10°C	1 652	1 008	5.52	1.64
	5°C	1 476	912	5.12	1.62
	0°C	1 306	823	4.76	1.59
	-5°C	1 142	743	4.45	1.54
	Rated point -10°C	983	672	4.19	1.46
	-15°C	831	608	3.97	1.37
	-20°C	685	552	3.80	1.24
43 °C Ambient Temperature	5°C	1 197	986	5.40	1.21
	0°C	1 053	891	5.01	1.18
	-5°C	914	804	4.66	1.14
	Rated point -10°C	783	724	4.36	1.08
	-15°C	659	652	4.10	1.01
	-20°C	542	588	3.88	0.92