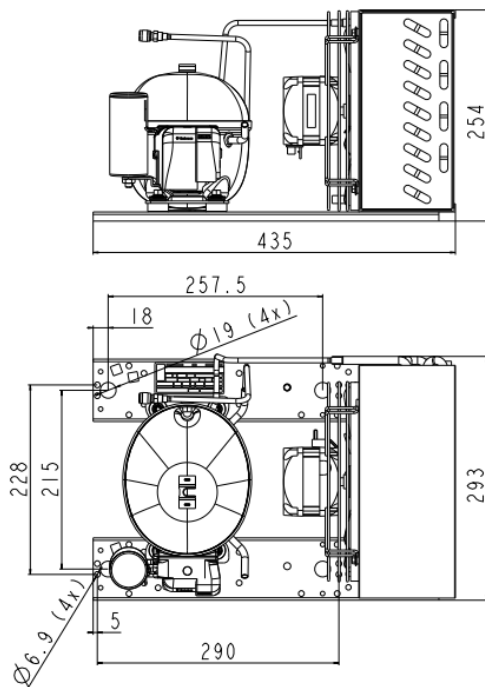


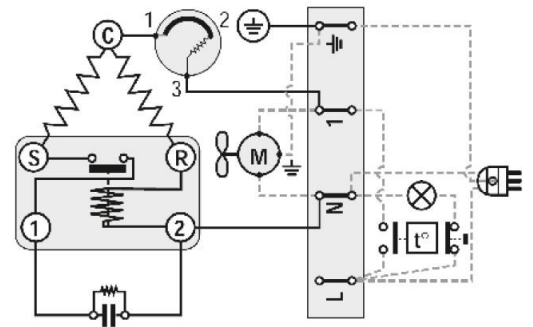
GENERAL DATA

Application:	M/HBP
Refrigerant:	R404A
Expansion Device:	C-V
Weight:	14 kg
Receiver:	0 liter
Voltage/Frequency:	220 - 240 V 50 ~
Height:	14 mm
Length:	435 mm
Width:	293 mm
Institute Approvals:	CE

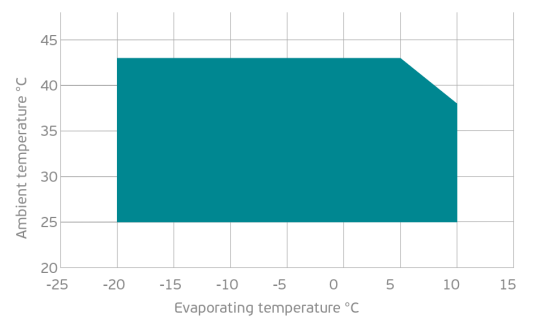
EXTERNAL DIMENSIONS



WIRING DIAGRAM



OPERATING ENVELOPE



COMPONENTS (SPARE PARTS)

condenser:	3R9T	2451205
compressor:	EMT6165GK	912GA67..AR

fankit:	10W 230/31/5B	1996699
elkit:	ELCOM EMT6165GK	912GA6764A

For additional accessories please contact our technical support

ELECTRICAL DATA

Motor Type: CSIR -
Locked Rotor Amperage (LRA): 10.4 A
Max.Current: 2.32 A

At maximum evaporating temperature and maximum ambient temperature.

FAN MOTOR

Number: 1 -
Shaft Power: 10 W
Air Flow: 420 m³/h
Blade Diameter: 230 mm

PERFORMANCE CURVE DATA

Standard: EN13215-RG20 / return gas 20°C, subcooling 3K

50 Hz

	Evaporating Temperature (°C)	Cooling Capacity (W)	Power Consumption (W)	Current Consumption (A)	Efficiency (W/W)
25 °C Ambient Temperature	10°C	943	423	2.36	2.23
	5°C	855	378	2.19	2.26
	0°C	755	343	2.06	2.20
	-5°C	650	316	1.97	2.06
	Rated point -10°C	546	293	1.90	1.86
	-15°C	452	272	1.84	1.66
	-20°C	374	249	1.77	1.50
32 °C Ambient Temperature	10°C	856	435	2.43	1.97
	5°C	778	390	2.25	2.00
	0°C	688	354	2.12	1.94
	-5°C	592	327	2.03	1.81
	Rated point -10°C	497	303	1.96	1.64
	-15°C	410	280	1.89	1.46
	-20°C	340	256	1.83	1.33
43 °C Ambient Temperature	5°C	678	441	2.52	1.54
	0°C	599	402	2.37	1.49
	-5°C	514	370	2.26	1.39
	Rated point -10°C	429	343	2.17	1.25
	-15°C	351	316	2.09	1.11
	-20°C	288	287	2.01	1.00