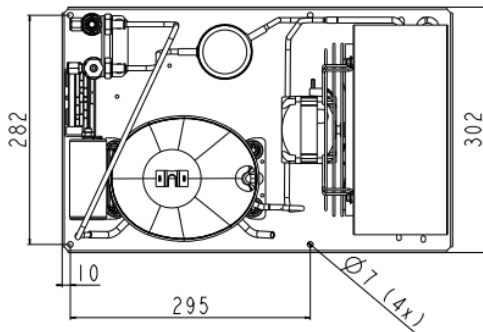
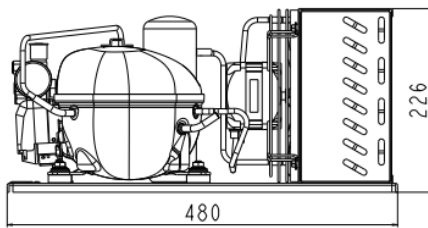


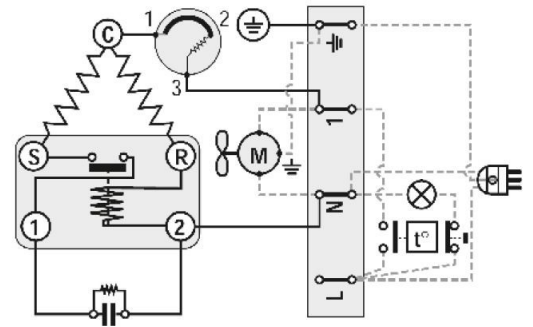
### GENERAL DATA

<b>Application:</b>	M/HBP
<b>Refrigerant:</b>	R404A
<b>Expansion Device:</b>	C-V
<b>Weight:</b>	13.3 kg
<b>Receiver:</b>	0.6 liter
<b>Voltage/Frequency:</b>	<b>220 - 240 V 50 ~</b>
<b>Height:</b>	13.3 mm
<b>Length:</b>	480 mm
<b>Width:</b>	302 mm
<b>Institute Approvals:</b>	<b>CE</b>

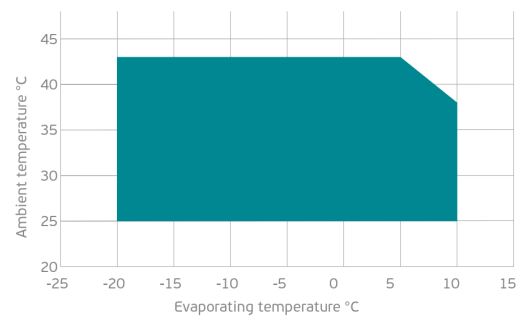
### EXTERNAL DIMENSIONS



### WIRING DIAGRAM



### OPERATING ENVELOPE



### COMPONENTS (SPARE PARTS)

<b>valve_suca:</b>	FLARE 3/8"	2110059	<b>valve_disch:</b>	FLARE 1/4"	2110085
<b>condenser:</b>	3R8T	2451204	<b>fankit:</b>	10W 200/28°/5B	1996700
<b>compressor:</b>	EMT6152GK	912FA67..AR	<b>elkit:</b>	ELCOM EMT6152GK	912FA6764A

For additional accessories please contact our technical support

**ELECTRICAL DATA**

**Motor Type:** CSIR -  
**Locked Rotor Amperage (RLA):** 8.5 A  
**Max.Current:** 1.94 A

At maximum evaporating temperature and maximum ambient temperature.

**FAN MOTOR**

**Number:** 1 -  
**Shaft Power:** 10 W  
**Air Flow:** 300 m<sup>3</sup>/hod  
**Blade Diameter:** 200 mm

**PERFORMANCE CURVE DATA**

Standard: EN13215-RG20 / return gas 20°C, subcooling 3K

50 Hz

	Evaporating Temperature (°C)	Cooling Capacity (W)	Power Consumption (W)	Current Consumption (A)	Efficiency (W/W)
<b>25°C</b> Ambient Temperature	10°C	740	364	1.98	2.03
	5°C	670	328	1.84	2.04
	0°C	599	297	1.72	2.02
	-5°C	526	270	1.62	1.95
	Rated point -10°C	453	245	1.54	1.85
	-15°C	381	224	1.47	1.70
	-20°C	310	206	1.41	1.50
<b>32°C</b> Ambient Temperature	10°C	680	373	2.04	1.82
	5°C	608	339	1.90	1.79
	0°C	538	308	1.78	1.74
	-5°C	470	280	1.68	1.67
	Rated point -10°C	405	255	1.59	1.59
	-15°C	344	232	1.51	1.49
	-20°C	289	210	1.45	1.37
<b>43°C</b> Ambient Temperature	5°C	556	373	2.02	1.49
	0°C	477	341	1.90	1.40
	-5°C	406	310	1.78	1.31
	Rated point -10°C	344	281	1.67	1.23
	-15°C	292	252	1.58	1.16
	-20°C	250	223	1.49	1.12