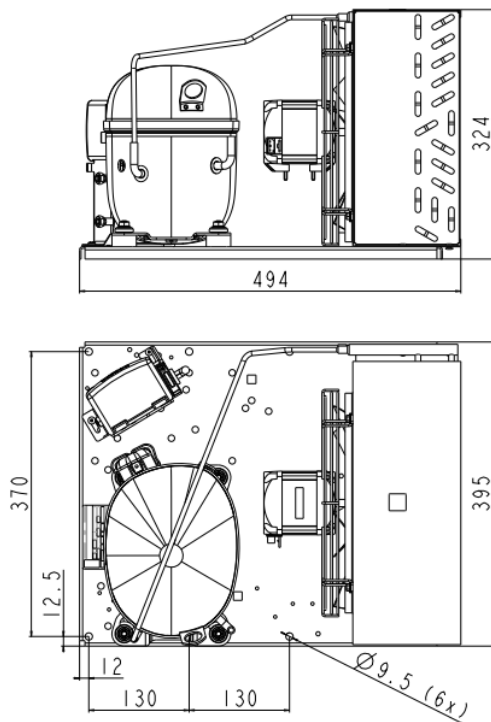


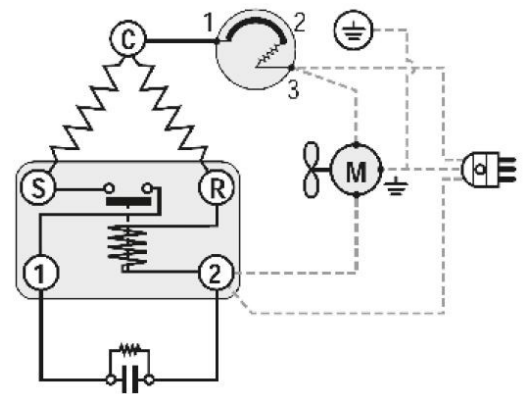
GENERAL DATA

Application:	M/HBP
Refrigerant:	R134a
Expansion Device:	C-V
Weight:	33.5 kg
Receiver:	0 liter
Voltage/Frequency:	115 V 60 ~
Height:	33.5 mm
Length:	494 mm
Width:	395 mm
Institute Approvals:	CE c RA us

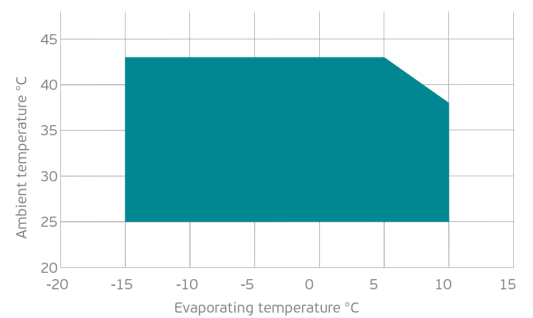
EXTERNAL DIMENSIONS



WIRING DIAGRAM



OPERATING ENVELOPE



COMPONENTS (SPARE PARTS)

condenser:	3R12T	2451218
compressor:	NT6217Z	212BG06..AC

fankit:	34W 275/31/5P	1996692
elkit:	ELKOM NT6217Z	212BG0664A

For additional accessories please contact our technical support

ELECTRICAL DATA

Motor Type: CSIR -
Locked Rotor Amperage (LRA): 45 A
Max.Current: 11.85 A

At maximum evaporating temperature and maximum ambient temperature.

FAN MOTOR

Number: 1 -
Shaft Power: 34 W
Air Flow: 720 m³/h
Blade Diameter: 275 mm

PERFORMANCE CURVE DATA

Standard: EN13215-RG20 / return gas 20°C, subcooling 3K

60 Hz

	Evaporating Temperature (°C)	Cooling Capacity (W)	Power Consumption (W)	Current Consumption (A)	Efficiency (W/W)
25 °C Ambient Temperature	10°C	2 481	1 118	11.96	2.22
	5°C	2 140	1 022	11.17	2.09
	0°C	1 837	921	10.38	1.99
	-5°C	1 562	820	9.61	1.90
	Rated point -10°C	1 305	727	8.93	1.80
	-15°C	1 057	646	8.38	1.64
32 °C Ambient Temperature	10°C	2 258	1 152	12.33	1.96
	5°C	1 943	1 054	11.52	1.84
	0°C	1 666	950	10.70	1.75
	-5°C	1 416	846	9.91	1.67
	Rated point -10°C	1 185	749	9.21	1.58
	-15°C	963	665	8.64	1.45
43 °C Ambient Temperature	5°C	1 666	1 114	12.21	1.49
	0°C	1 422	1 006	11.34	1.41
	-5°C	1 205	897	10.51	1.34
	Rated point -10°C	1 007	795	9.77	1.27
	-15°C	818	705	9.15	1.16