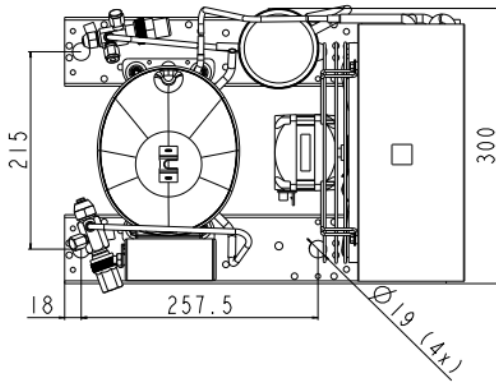
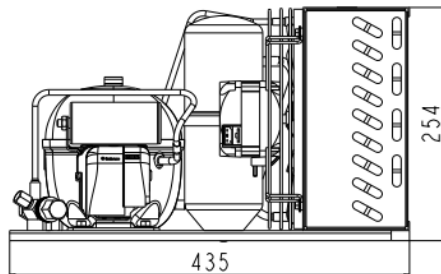


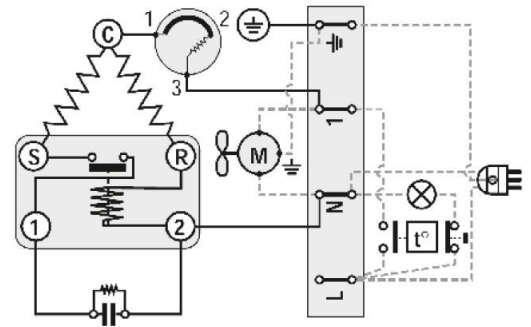
GENERAL DATA

Application:	M/HBP
Refrigerant:	R134a
Expansion Device:	C-V
Weight:	15.5 kg
Receiver:	1.1 liter
Voltage/Frequency:	220 - 240 V 50 ~
Height:	15.5 mm
Length:	435 mm
Width:	300 mm
Institute Approvals:	CE

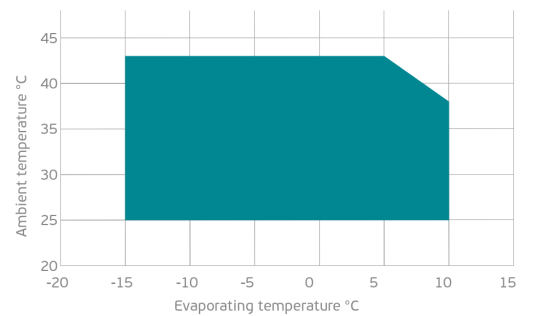
EXTERNAL DIMENSIONS



WIRING DIAGRAM



OPERATING ENVELOPE



COMPONENTS (SPARE PARTS)

condenser:	3R9T	2451205
valve_suca:	FLARE 3/8"	2110024
compressor:	EMT6170Z	194RA67..AR

fankit:	10W 230/31°/5B	1996699
valve_disch:	FLARE 1/4"	2110025
elkit:	ELCOM EMT6170Z	194RA67FOA

For additional accessories please contact our technical support

ELECTRICAL DATA

Motor Type: CSIR -
Locked Rotor Amperage (RLA): 10.4 A
Max.Current: 2.13 A

At maximum evaporating temperature and maximum ambient temperature.

FAN MOTOR

Number: 1 -
Shaft Power: 10 W
Air Flow: 420 m³/hod
Blade Diameter: 230 mm

PERFORMANCE CURVE DATA

Standard: EN13215-RG20 / return gas 20°C, subcooling 3K

50 Hz

	Evaporating Temperature (°C)	Cooling Capacity (W)	Power Consumption (W)	Current Consumption (A)	Efficiency (W/W)
25°C Ambient Temperature	10°C	894	396	2.30	2.26
	5°C	776	354	2.16	2.19
	0°C	666	317	2.04	2.10
	-5°C	561	284	1.94	1.97
	Rated point -10°C	461	255	1.86	1.81
	-15°C	365	231	1.80	1.58
32°C Ambient Temperature	10°C	835	400	2.31	2.09
	5°C	723	359	2.17	2.01
	0°C	618	322	2.05	1.92
	-5°C	522	289	1.95	1.80
	Rated point -10°C	433	261	1.88	1.66
	-15°C	351	238	1.83	1.48
43°C Ambient Temperature	5°C	610	382	2.24	1.60
	0°C	512	341	2.10	1.50
	-5°C	426	305	1.98	1.40
	Rated point -10°C	350	273	1.89	1.28
	-15°C	284	247	1.83	1.15