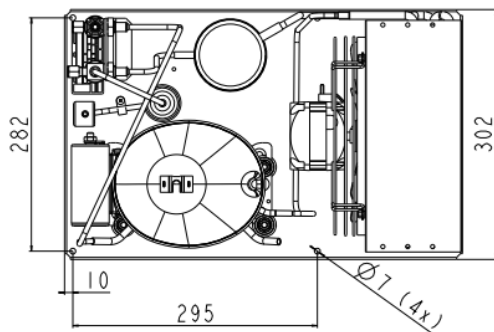
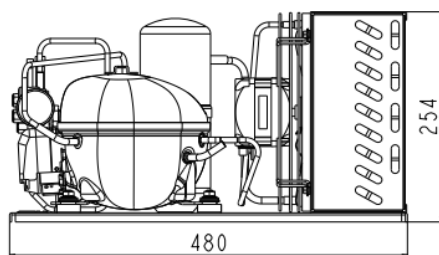


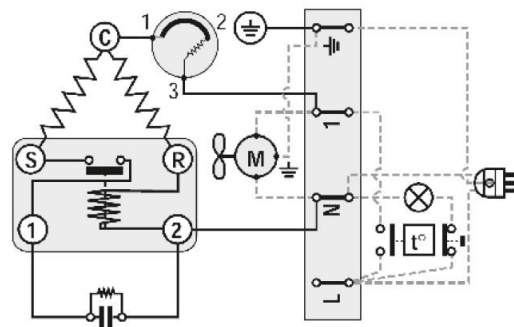
### GENERAL DATA

<b>Application:</b>	M/HBP
<b>Refrigerant:</b>	R134a
<b>Expansion Device:</b>	C-V
<b>Weight:</b>	19 kg
<b>Receiver:</b>	1.1 liter
<b>Voltage/Frequency:</b>	220 - 240 V 50 ~
<b>Height:</b>	19 mm
<b>Length:</b>	480 mm
<b>Width:</b>	302 mm
<b>Institute Approvals:</b>	<b>CE</b>

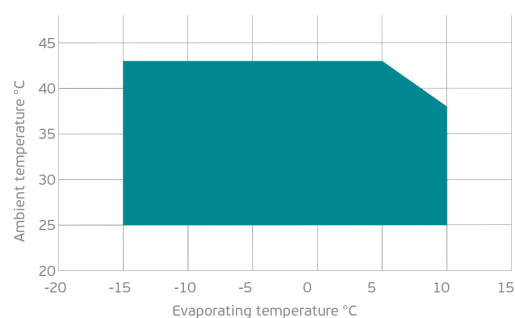
### EXTERNAL DIMENSIONS



### WIRING DIAGRAM



### OPERATING ENVELOPE



### COMPONENTS (SPARE PARTS)

<b>valve_suca:</b>	SOLDER 3/8"	2110060
<b>dryer:</b>	FILTER DRYER 6MM ODF	2730006
<b>condenser:</b>	3R9T	2451205
<b>compressor:</b>	EMT6160Z	194QA67..AR

<b>valve_disch:</b>	SOLDER 1/4"	2110086
<b>sightglass:</b>	SIGHT GLASS 6MM ODF	2464031
<b>fankit:</b>	10W 230/31/5B	1996580
<b>elkit:</b>	ELCOM EMT6160Z	194QA6764A

For additional accessories please contact our technical support

**ELECTRICAL DATA**

**Motor Type:** CSIR -  
**Locked Rotor Amperage (LRA):** 13.5 A  
**Max.Current:** 1.87 A

At maximum evaporating temperature and maximum ambient temperature.

**FAN MOTOR**

**Number:** 1 -  
**Shaft Power:** 10 W  
**Air Flow:** 420 m<sup>3</sup>/h  
**Blade Diameter:** 230 mm

**PERFORMANCE CURVE DATA**

Standard: EN13215-RG20 / return gas 20°C, subcooling 3K

50 Hz

	Evaporating Temperature (°C)	Cooling Capacity (W)	Power Consumption (W)	Current Consumption (A)	Efficiency (W/W)
<b>25 °C</b> Ambient Temperature	10°C	857	325	1.89	2.64
	5°C	732	295	1.78	2.48
	0°C	619	268	1.69	2.31
	-5°C	517	244	1.62	2.12
	Rated point -10°C	427	222	1.55	1.92
	-15°C	348	203	1.50	1.71
<b>32 °C</b> Ambient Temperature	10°C	778	335	1.95	2.32
	5°C	666	304	1.84	2.19
	0°C	564	276	1.74	2.04
	-5°C	471	251	1.66	1.88
	Rated point -10°C	388	229	1.60	1.70
	-15°C	315	209	1.55	1.51
<b>43 °C</b> Ambient Temperature	5°C	585	328	1.92	1.78
	0°C	499	297	1.81	1.68
	-5°C	420	268	1.71	1.57
	Rated point -10°C	348	242	1.63	1.44
	-15°C	283	219	1.56	1.29