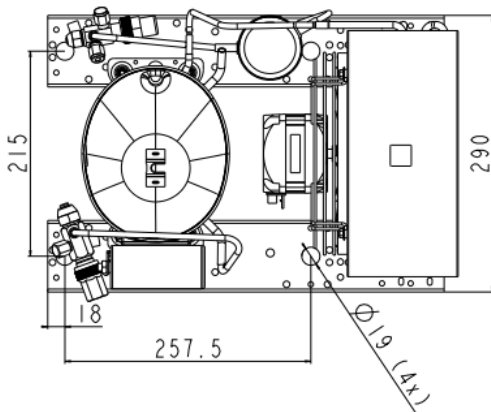
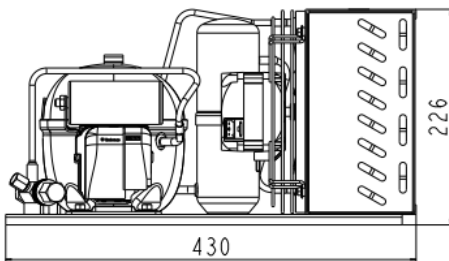


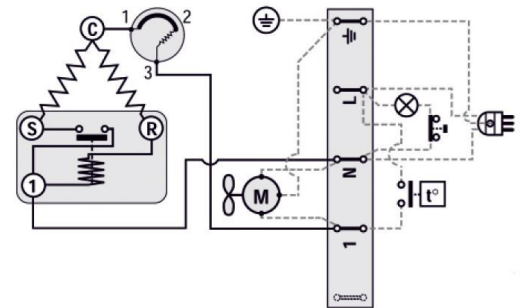
GENERAL DATA

Application:	M/HBP
Refrigerant:	R134a
Expansion Device:	C-V
Weight:	15.2 kg
Receiver:	0.6 liter
Voltage/Frequency:	220 - 240 V 50 ~
Height:	15.2 mm
Length:	430 mm
Width:	290 mm
Institute Approvals:	CE

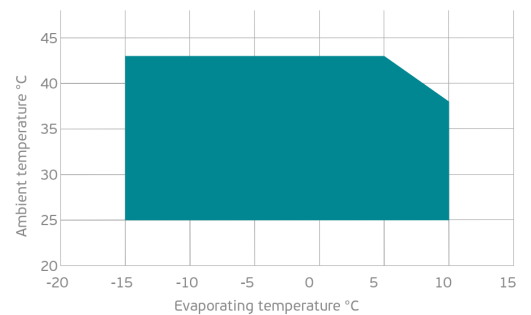
EXTERNAL DIMENSIONS



WIRING DIAGRAM



OPERATING ENVELOPE



COMPONENTS (SPARE PARTS)

valve_suca:	FLARE 3/8"	2110024
condenser:	3R8T	2451204
compressor:	EMT6144Z	194PA67..AR

valve_disch:	FLARE 1/4"	2110025
fankit:	10W 200/28°/5B	1996700
elkit:	ELCOM EMT6144Z	194PA6764A

For additional accessories please contact our technical support

ELECTRICAL DATA

Motor Type: RSIR -
Locked Rotor Amperage (RLA): 8.5 A
Max.Current: 1.48 A

At maximum evaporating temperature and maximum ambient temperature.

FAN MOTOR

Number: 1 -
Shaft Power: 10 W
Air Flow: 300 m³/hod
Blade Diameter: 200 mm

PERFORMANCE CURVE DATA

Standard: EN13215-RG20 / return gas 20°C, subcooling 3K

50 Hz

	Evaporating Temperature (°C)	Cooling Capacity (W)	Power Consumption (W)	Current Consumption (A)	Efficiency (W/W)
25°C Ambient Temperature	10°C	649	241	1.49	2.69
	5°C	553	222	1.43	2.49
	0°C	466	204	1.37	2.28
	-5°C	388	188	1.32	2.07
	Rated point -10°C	319	172	1.28	1.85
	-15°C	258	159	1.24	1.63
32°C Ambient Temperature	10°C	589	249	1.54	2.36
	5°C	503	229	1.47	2.20
	0°C	426	210	1.41	2.03
	-5°C	355	193	1.36	1.84
	Rated point -10°C	291	178	1.32	1.64
	-15°C	233	164	1.28	1.42
43°C Ambient Temperature	5°C	461	242	1.51	1.90
	0°C	388	222	1.44	1.75
	-5°C	320	204	1.39	1.57
	Rated point -10°C	255	187	1.34	1.36
	-15°C	193	173	1.30	1.11