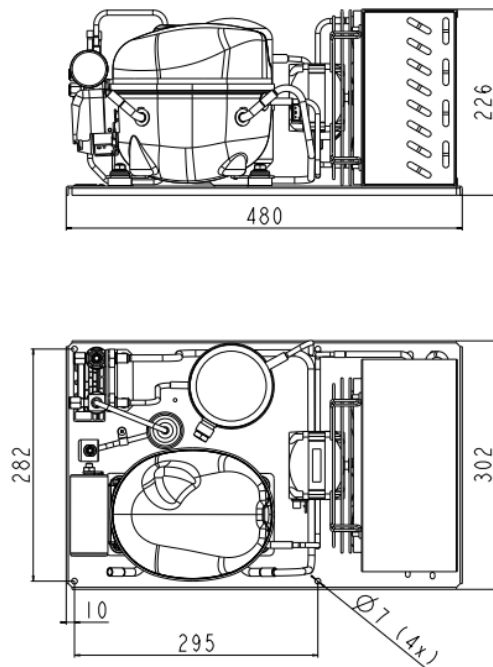


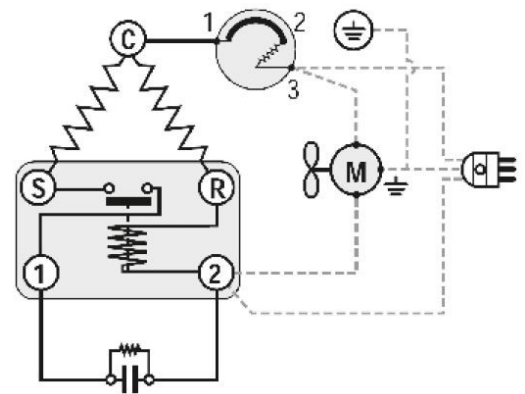
### GENERAL DATA

<b>Application:</b>	LBP
<b>Refrigerant:</b>	R404A
<b>Expansion Device:</b>	C-V
<b>Weight:</b>	20 kg
<b>Receiver:</b>	1.3 liter
<b>Voltage/Frequency:</b>	<b>115 V 60 ~</b>
<b>Height:</b>	20 mm
<b>Length:</b>	480 mm
<b>Width:</b>	302 mm
<b>Institute Approvals:</b>	<b>CE cRU<sup>®</sup>us</b>

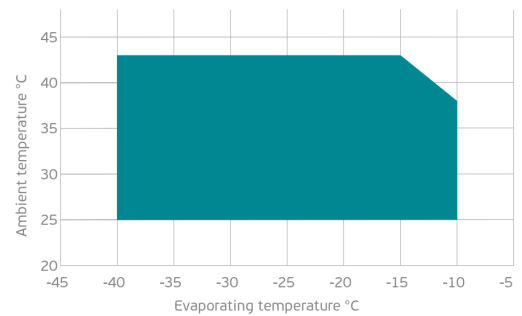
### EXTERNAL DIMENSIONS



### WIRING DIAGRAM



### OPERATING ENVELOPE



### COMPONENTS (SPARE PARTS)

<b>valve_suca:</b>	SOLDER 3/8"	2110060
<b>dryer:</b>	FILTER DRYER 6MM ODF	2730006
<b>compressor:</b>	NEK2121GK	957DG71..AN
<b>fankit:</b>	16W 200/28°/5B	1996685

<b>valve_disch:</b>	SOLDER 1/4"	2110086
<b>sightglass:</b>	SIGHT GLASS 6MM ODF	2464311
<b>condenser:</b>	3R8T	2451204
<b>elkit:</b>	RELAY/PROTECTOR/CONDENSER	2283055/2321083/2252217

For additional accessories please contact our technical support

### ELECTRICAL DATA

Motor Type:	CSIR -
Locked Rotor Amperage (LRA):	26.5 A
Max.Current:	4.35 A

At maximum evaporating temperature and maximum ambient temperature.

### FAN MOTOR

Number:	1 -
Shaft Power:	16 W
Air Flow:	340 m <sup>3</sup> /h
Blade Diameter:	200 mm

### PERFORMANCE CURVE DATA

Standard: EN13215-RG20 / return gas 20°C, subcooling 3K

60 Hz

	Evaporating Temperature (°C)	Cooling Capacity (W)	Power Consumption (W)	Current Consumption (A)	Efficiency (W/W)
25 °C Ambient Temperature	-10°C	646	367	5.05	1.76
	-15°C	533	338	4.88	1.58
	-20°C	432	310	4.73	1.39
	-25°C	344	284	4.59	1.21
	-30°C	269	259	4.47	1.04
	Rated point -35°C	207	236	4.37	0.88
	-40°C	158	214	4.29	0.74
32 °C Ambient Temperature	-10°C	588	379	5.21	1.55
	-15°C	484	348	5.03	1.39
	-20°C	392	320	4.87	1.23
	-25°C	311	292	4.73	1.06
	-30°C	244	267	4.61	0.91
	Rated point -35°C	189	243	4.51	0.78
	-40°C	147	221	4.43	0.66
43 °C Ambient Temperature	-15°C	475	363	5.07	1.31
	-20°C	381	330	4.88	1.15
	-25°C	299	299	4.72	1.00
	-30°C	228	269	4.58	0.85
	Rated point -35°C	170	241	4.47	0.71
	-40°C	124	215	4.38	0.58