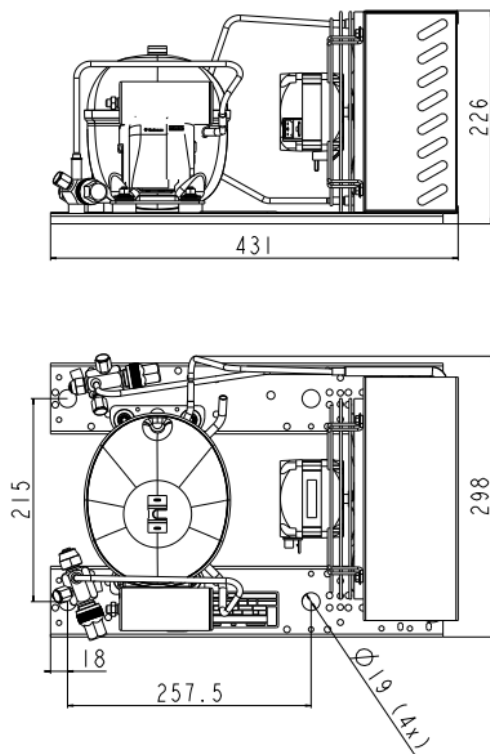


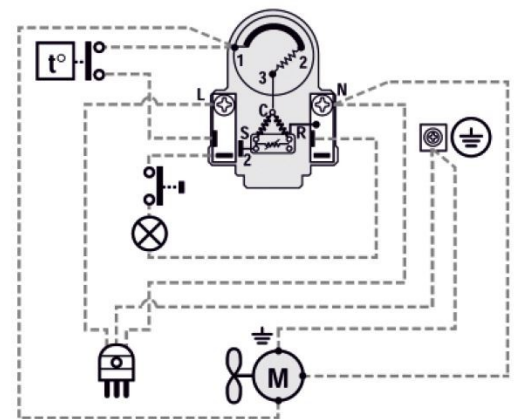
GENERAL DATA

Application:	LBP
Refrigerant:	R134a
Expansion Device:	C-V
Weight:	14.5 kg
Receiver:	0 liter
Voltage/Frequency:	220 - 240 V 50 ~
Height:	14.5 mm
Length:	421 mm
Width:	298 mm
Institute Approvals:	CE

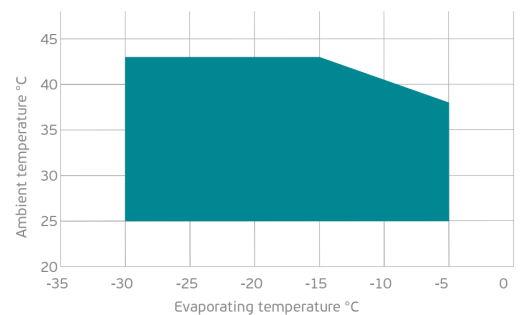
EXTERNAL DIMENSIONS



WIRING DIAGRAM



OPERATING ENVELOPE



COMPONENTS (SPARE PARTS)

condenser:	2R8T	2451207	fankit:	10W 200/28/5B	1996700
-------------------	------	---------	----------------	---------------	---------

For additional accessories please contact our technical support

ELECTRICAL DATA

Motor Type: RSIR -
Locked Rotor Amperage (LRA): 5.2 A
Max.Current: 1.2 A

At maximum evaporating temperature and maximum ambient temperature.

FAN MOTOR

Number: 1 -
Shaft Power: 10 W
Air Flow: 360 m³/h
Blade Diameter: 200 mm

PERFORMANCE CURVE DATA

Standard: EN13215-RG20 / return gas 20°C, subcooling 3K

50 Hz

	Evaporating Temperature (°C)	Cooling Capacity (W)	Power Consumption (W)	Current Consumption (A)	Efficiency (W/W)
25 °C Ambient Temperature	-5°C	375	252	1.61	1.49
	-10°C	303	198	1.25	1.53
	-15°C	243	164	1.05	1.48
	-20°C	195	144	0.96	1.35
	-25°C	156	133	0.94	1.17
	-30°C	124	123	0.93	1.01
Rated point	-35°C	96	108	0.87	0.89
32 °C Ambient Temperature	-5°C	341	260	1.66	1.31
	-10°C	275	204	1.29	1.35
	-15°C	221	169	1.08	1.31
	-20°C	178	149	0.99	1.19
	-25°C	142	137	0.97	1.04
	-30°C	113	126	0.95	0.89
Rated point	-35°C	87	111	0.90	0.78
43 °C Ambient Temperature	-15°C	188	179	1.15	1.05
	-20°C	150	157	1.05	0.96
	-25°C	119	144	1.02	0.83
	-30°C	93	133	1.00	0.70
	Rated point	-35°C	69	117	0.95