

Instructions / Vejledning / Anleitung / Instructions / Instrucciones / Istruzioni / Instruktioner / Instruções / Instructies / Ohjeet / Οδηγίες / Instruksjoner / Инструкции / Instrucțiuni / Pokyny / Instrukcje / Инструкция

OPTYMA™ Plus Condensing Units

OP-LPQM, OP-MPYM, OP-MPXМ,
OP-MPGM, OP-MPBM

English / English	p. 2
Dansk / Danish	p. 6
Deutsch / German	p. 10
Français / French	p. 14
Español / Spanish	p. 18
Italiano / Italian	p. 22
Svenska / Swedish	p. 26
Português / Portuguese	p. 30
Nederlands / Dutch	p. 34
Suomi / Finnish	p. 36
Ελληνικά / Greek	p. 42
Norsk / Norwegian	p. 46
български (Bălgarski) / Bulgarian	p. 50
Română / Romanian	p. 54
Čeština / Czech	p. 58
Polski / Polish	p. 64
Русский/Russian	p. 66
GA Drawings / GA-tegninger / GA-Zeichnungen / Schémas GA / Diagramas GA / Disegni d'assieme / GA Drawings / Desenhos GA / GA-tegninger / GA-piirustukset / Σχεδιαγράμματα / GA-tegninger / GA Чертежи / Diagrame AG / Výchresy / Rysunki GA / Компонувочные чертежи	p. 70
Wiring Diagram / El-diagram / Schaltplan / Schéma électrique / Diagrama eléctrico / Schema elettrico / Kopplingsschema / Diagrama de ligações / El-diagram / KytKentäkaavio / Διάγραμμα καλωδίωσης / Koblingsskjema / Диаграма на окабеляване / Diagramă de conexiuni / Schéma zapojení / Schemat elektryczny / Электрическая схема	p. 73



Instructions

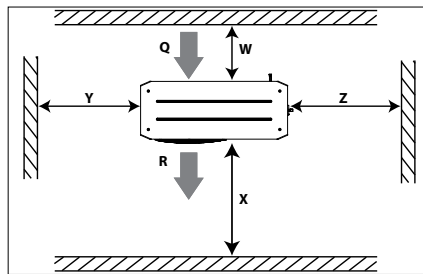
Optyma™ Plus

OP-LPQM, OP-MPYM, OP-MPXM,
OP-MPGM OP-MPBM

Name plate

A	OP-MPXM034MLP00G	 MADE IN INDIA
B	114X4261	
C	Application MBP	IP 54
D	Refrigerant (1) R404A R507 R448A/R449A R407A/R407F/R452A	(2) R134a R513a
E	M.W.P. HP (1) 28 bar	(2) 23 bar
	M.W.P. LP (1) 7 bar	(2) 5 bar
F	Voltage 230 V ~ 1N ~ 50Hz	
	LRA 60 A	MCC 19 A
	OIL INSIDE POE 46	
G	Serial No. 123456CG2816	
	EAN No. XXXXXXXXXXXXXXX	

Danfoss A/S, 6430 Nordborg, Denmark



Picture 1 : Minimum mounting distances

Q: Air in R: Air out

Unit	W [mm]	X [mm]	Y [mm]	Z [mm]
Housing 1 (Code n° 114X31-- or 114X41--)	250	550	456	456
Housing 2 (Code n° 114X32-- or 114X42--)	250	650	530	530
Housing 3 (Code n° 114X33-- or 114X43--)	250	760	581	581
Housing 4 (Code n° 114X34-- or 114X44--)	250	900	700	700



⚠ The condensing unit must only be used for its designed purpose(s) and within its scope of application.

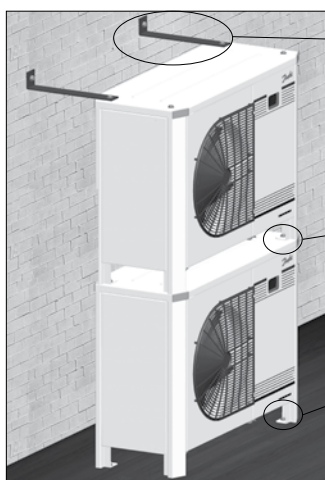
⚠ Under all circumstances, the EN378 (or other applicable local safety regulation) requirements must be fulfilled.

The condensing unit is delivered under nitrogen gas pressure (1 bar) and hence it cannot be connected as it is; refer to the «installation» section for further details.

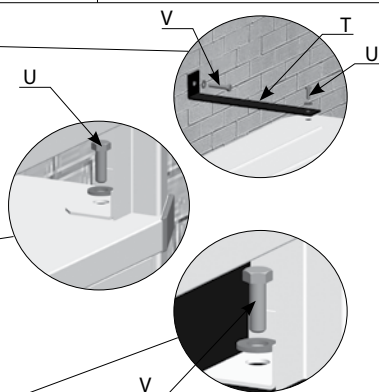
The condensing unit must be handled with caution in the vertical position (maximum offset from the vertical : 15°)



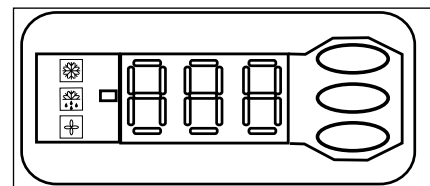
Installation and servicing of the condensing units by qualified personnel only. Follow these instructions and sound refrigeration engineering practice relating to installation, commissioning, maintenance and service.



Picture 2 : Stacked mounting



T: Mounting brackets for stacked mounting (not supplied)
U: M8 bolts for stacked mounting (supplied)
V: Mounting bolts (not supplied)



Picture 3 : Electronic controller display

- Compressor running
- Crankcase heater on
- Fan running
- Temperature value for suction pressure.
- Push lower button to switch to temperature value for condensing pressure



Picture 4 : Normal wiring



Picture 5 : Temporary wiring

Instructions

1 – Introduction

These instructions pertain to Optyma™ Plus condensing units OP-LPHM, OP-MPYM, OP-MPXm, OP-MPGM, OP-MPQM, OP-LPQM & OP-MPBM used for refrigeration systems. They provide necessary information regarding safety and proper usage of this product.

The condensing unit includes following:

- Microchannel heat exchanger
- Reciprocating or scroll compressor
- Receiver with stop valve
- Ball valves
- Sight glass
- High & low pressure switches
- Replaceable filter drier
- Electronic controller
- Main circuit breaker (Main switch with overload protection)
- Fan and compressor capacitors
- Compressor contactor
- Robust weather proof housing

2 – Handling and storage

- It is recommended not to open the packaging before the unit is at the final place for installation.
- Handle the unit with care. The packaging allows for the use of a forklift or pallet jack. Use appropriate and safe lifting equipment..
- Store and transport the unit in an upright position.
- Store the unit between -35°C and 50°C.
- Don't expose the packaging to rain or corrosive atmosphere.
- After unpacking, check that the unit is complete and undamaged.

3 – Installation precautions

⚠ Never place the unit in a flammable atmosphere

⚠ Place the unit in such a way that it is not blocking or hindering walking areas, doors, windows or similar.

- Ensure adequate space around the unit for air circulation and to open doors. Refer to picture 1 for minimal values of distance to walls.
- Avoid installing the unit in locations which are daily exposed to direct sunshine for longer periods.
- Avoid installing the unit in aggressive and dusty environments.
- Ensure a foundation with horizontal surface (less than 3° slope), strong and stable enough to carry the entire unit weight and to eliminate vibrations and interference.
- The unit ambient temperature may not exceed 50°C during off-cycle.
- Ensure that the power supply corresponds to the unit characteristics (see nameplate).
- When installing units for HFC refrigerants,

use equipment specifically reserved for HFC refrigerants which was never used for CFC or HCFC refrigerants.

- Use clean and dehydrated refrigeration-grade copper tubes and silver alloy brazing material.
- Use clean and dehydrated system components.
- The suction piping connected to the compressor must be flexible in 3 dimensions to dampen vibrations. Furthermore piping has to be done in such a way that oil return for the compressor is ensured and the risk of liquid slug over in compressor is eliminated.

4 – Installation

- The installation in which the condensing unit is installed must comply to EEC Pressure directive (PED) nr. 97/23/EC. The condensing unit itself is not a "unit" in the scope this directive.
- It is recommended to install the unit on rubber grommets or vibration dampers (not supplied).
- It is possible to stack units on top of each other.

Unit	Maximum stacking
Housing 1 (Code no. 114X31-- or 114X41--)	3
Housing 2 (Code no. 114X32-- or 114X42--)	2
Housing 3 (Code no. 114X33-- or 114X43--)	2
Housing 4 (Code no. 114X34-- or 114X44--)	2

- When stacking, the topmost unit must be secured to the wall, as shown in picture 2.
- Slowly release the nitrogen holding charge through the schrader port.
- Connect the unit to the system as soon as possible to avoid oil contamination from ambient moisture.
- Avoid material entering into the system while cutting tubes. Never drill holes where burrs cannot be removed.
- Braze with great care using state-of-the-art technique and vent piping with nitrogen gas flow.
- Connect the required safety and control devices. When the schrader port is used for this, remove the internal valve.
- It is recommended to insulate the suction pipe up to the compressor inlet with 19 mm thick insulation.

5 – Leak detection

⚠ Never pressurize the circuit with oxygen or dry air. This could cause fire or explosion.

- Do not use dye for leak detection
- Perform a leak detection test on the complete system
- The maximum test pressure is 31^{*)} bar.
- When a leak is discovered, repair the leak and repeat the leak detection.

*) 25 bar for OP-.....AJ.... & OP-.....FH.... models

6 – Vacuum dehydration

- Never use the compressor to evacuate the system.
- Connect a vacuum pump to both the LP & HP sides.
- Pull down the system under a vacuum of 500 µm Hg (0.67 mbar) absolute.
- Do not use a megohmmeter nor apply power to the compressor while it is under vacuum as this may cause internal damage.

7 – Electrical connections

- Switch off and isolate the main power supply.
- Ensure that power supply can not be switched on during installation.
- All electrical components must be selected as per local standards and unit requirements.
- Refer to wiring diagram for electrical connections details.
- Ensure that the power supply corresponds to the unit characteristics and that the power supply is stable (nominal voltage ±10% and nominal frequency ±2,5 Hz)
- Dimension the power supply cables according to unit data for voltage and current.
- Protect the power supply and ensure correct earthing.
- Make the power supply according to local standards and legal requirements
- The unit is equipped with an electronic controller. Refer to Manual RS8GDxxx for details.
- The unit is equipped with a main switch with overload protection. The overload protection is factory preset but it is recommended to check the value before taking the unit in operation. The value for the overload protection can be found in the wiring diagram in the front door of the unit.
- The unit is equipped with high and low pressure switches, which directly cut the power supply to the compressor in case of activation. Parameters for high and low pressure cut outs are preset in the controller, adapted to the compressor installed in the unit.

For units with a 3-phase scroll compressor (OP-MPXmxxxxxxxE), correct phase sequence for compressor rotation direction shall be observed.

- Determine the phase sequence by using a phase meter in order to establish the phase orders of line phases L1, L2 and L3.
- Connect line phases L1, L2 and L3 to main switch terminals T1, T2 and T3 respectively.

8 – Filling the system

- Never start the compressor under vacuum. Keep the compressor switched off.
- Use only the refrigerant for which the unit is designed for.
- Fill the refrigerant in liquid phase into the condenser or liquid receiver. Ensure a slow charging of the system to 4 – 5 bar for R404A/

Instructions

R448A/R449A/R407A/R407F/R452A and approx. 2 bar for R134a and R513A.

- The remaining charge is done until the installation has reached a level of stable nominal condition during operation.
- Never leave the filling cylinder connected to the circuit.

9 – Setting the electronic controller

- The unit is equipped with an electronic controller which is factory programmed with parameters for use with the actual unit. Refer to Manual RS8GDxxx for details.
- By default, the electronic controller display shows the temperature value for the suction pressure in °C. To show the temperature value for the condensing pressure, push the lower button (picture 3).

The electronic controller is factory preset for R404A or R449A or R452A or R134a depending on the model of compressor mounted and application (Refer Annex in Optyma Controller installation manual). If another refrigerant is used, the refrigerant setting must be changed. Parameter r12 must be set to 0 before (software main switch= off).

- Push the upper button for a couple of seconds. The column with parameter codes appears.
- Push the upper or lower button to find parameter code o30.
- Push the middle button until the value for this parameter is shown.
- Push the upper or lower button to select the new value: 2 = R22, 3 = R134a, 13 = R513A, 17 = R507, 19 = R404A, 20 = R407C, 21 = R407A, 37 = R407F, 40 = R448A, 41 = R449A, 42 = R452A.
- Push the middle button to confirm the selected value.

10 – Verification before commissioning

⚠ Use safety devices such as safety pressure switch and mechanical relief valve in compliance with both generally and locally applicable regulations and safety standards. Ensure that they are operational and properly set.

⚠ Check that the settings of high-pressure switches and relief valves don't exceed the maximum service pressure of any system component.

- Verify that all electrical connections are properly fastened and in compliance with local regulations.
- When a crankcase heater is required, the unit must be energized at least 12 hours before initial start-up and start-up after prolonged shutdown for belt type crankcase heaters.
- The unit is equipped with a main switch with overload protection. Overload protection is preset from factory, but it is recommended to check the value before taking the unit in operation. The overload protection value can be

found in the wiring diagram in the unit front door.

11 – Start-up

- Never start the unit when no refrigerant is charged.
- All service valves must be in the open position.
- Rotalock valve on the receiver must be turned 1 round to close direction to get the right condensing pressure for the pressure transmitter
- Check compliance between unit and power supply.
- Check that the crankcase heater is working.
- Check that the fan can rotate freely.
- Check that the protection sheet has been removed from the backside of condenser.
- Balance the HP/LP pressure.
- Energize the unit. It must start promptly. If the compressor does not start, check wiring conformity and voltage on terminals.
- Eventual reverse rotation of a 3-phase compressor can be detected by following phenomena; the compressor doesn't build up pressure, it has abnormally high sound level and abnormally low power consumption. In such case, shut down the unit immediately and connect the phases to their proper terminals.
- If the rotation direction is correct the low pressure indication on the controller (or low pressure gauge) shall show a declining pressure and the high pressure indication (or high pressure gauge) shall show an increasing pressure.

12 – Check with running unit

- Check the fan rotation direction. Air must flow from the condenser towards the fan.
- Check current draw and voltage.
- Check suction superheat to reduce risk of slugging.
- When a sight glass is provided observe the oil level at start and during operation to confirm that the oil level remains visible.
- Respect the operating limits.
- Check all tubes for abnormal vibration. Movements in excess of 1.5 mm require corrective measures such as tube brackets.
- When needed, additional refrigerant in liquid phase may be added in the low-pressure side as far as possible from the compressor. The compressor must be operating during this process.
- Do not overcharge the system.
- Follow the local regulations for restoring the refrigerant from unit.
- Never release refrigerant to atmosphere.
- Before leaving the installation site, carry out a general installation inspection regarding cleanliness, noise and leak detection.
- Record type and amount of refrigerant charge as well as operating conditions as a reference for future inspections.

13 – Emergency running without controller

In case of controller failure, the condensing unit can still be operated when the controller standard wiring (picture 4) is modified into a temporary wiring (picture 5) as described below.

⚠ This modification may be done by authorized electricians only. Country legislations have to be followed.

⚠ Disconnect the condensing unit from power supply (turn hardware main switch off)

- Contact of Room Thermostat must be possible to switch 250VAC.
- Remove wire 22 (safety input DI3) and wire 24 (room thermostat DI1) and put them together with an insulated 250 Vac 10mm² terminal bridge.
- Remove wire 25 (room thermostat DI1) and wire 11 (compressor supply) and put them together with an insulated 250VAC 10mm² terminal bridge.
- Remove wire 6 and connect it with terminal bridge for wire 11 and 25. A fan pressure switch or fan speed controller can be connected in series to wire 6.
- Remove wire 14 (crankcase heater) and connect it to the compressor contactor terminal 22.
- Remove wire 12 (supply crankcase heater), extend this wire by using an 250 Vac 10mm² terminal bridge and 1,0mm² brown cable and connect it to compressor contactor terminal 21
- Remove the large terminal block from the controller terminals 10 to 19.
- Connect the condensing unit to power supply (turn hardware main switch on).

14 – Maintenance

⚠ Always switch off the unit at main switch before opening the fan door (s).

⚠ Internal pressure and surface temperature are dangerous and may cause permanent injury. Maintenance operators and installers require appropriate skills and tools. Tubing temperature may exceed 100°C and can cause severe burns.

⚠ Ensure that periodic service inspections to ensure system reliability and as required by local regulations are performed.

To prevent system related problems, following periodic maintenance is recommended:

- Verify that safety devices are operational and properly set.
- Ensure that the system is leak tight.
- Check the compressor current draw.
- Confirm that the system is operating in a way consistent with previous maintenance records and ambient conditions.
- Check that all electrical connections are still adequately fastened.
- Keep the unit clean and verify the absence of rust and oxidation on the unit components, tubes and electrical connections.

Instructions

The condenser must be checked at least once a year for clogging and be cleaned if deemed necessary. Access to the internal side of the condenser takes place through the fan door. Microchannel coils tend to accumulate dirt on the surface rather than inside, which makes them easier to clean than fin-&-tube coils.

- Switch off the unit at main switch before opening the fan door.
- Remove surface dirt, leaves, fibres, etc. with a vacuum cleaner, equipped with a brush or other soft attachment. Alternatively, blow compressed air through the coil from the inside out, and brush with a soft bristle. Do not use a wire brush. Do not impact or scrape the coil with the vacuum tube or air nozzle.
- Before closing the fan door, turn the fan blade in the position shown in picture 6, to avoid that the door hits the fan.

If the refrigerant system has been opened, the system has to be flushed with dry air or nitrogen to remove moisture and a new filter drier has to be installed. If evacuation of refrigerant has to be done, it shall be done in such a way that no refrigerant can escape to the environment.

15 – Declaration of conformity

• **Pressure Equipment Directive 2014/68/EU EN 378-2:2016** - Refrigerating systems and Heat Pumps - Safety and environmental requirements-Parts 2: Design, construction, testing, marking and documentation

Low Voltage Directive 2014/35/EU EN 60335-1:2012 + A11:2014- Household and similar electrical appliances-Safety-Part 1: General requirements-for all above mentioned condensing units

Eco-design DIRECTIVE 2009/125/ EC, establishing a framework for the setting of Eco-design requirements for energy-related products. REGULATION (EU) 2015/1095, implementing Eco-design Directive 2009/125/EC with regard to Eco-design requirements for professional refrigerated storage cabinets, blast cabinets, condensing units and process Chiller.

• Condensing unit measurements are made according to standard "EN 13771-2:2007" – Compressor and condensing units for refrigeration-performance testing and test methods- part 2: Condensing units

16 - Warranty

Always transmit the model number and serial number with any claim filed regarding this product.

The product warranty may be void in following cases:

- Absence of nameplate.
- External modifications; in particular, drilling, welding, broken feet and shock marks.
- Compressor opened or returned unsealed.
- Rust, water or leak detection dye inside the compressor.
- Use of a refrigerant or lubricant not approved by Danfoss.
- Any deviation from recommended instructions pertaining to installation, application or maintenance.
- Use in mobile applications.
- Use in explosive atmospheric environment.
- No model number or serial number transmitted with the warranty claim.

17 – Disposal



Danfoss recommends that condensing units and oil should be recycled by a suitable company at its site.

Vejledning

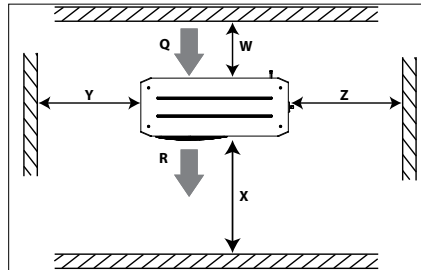
Optyma™ Plus

OP-LPQM, OP-MPYM, OP-MPXM,
OP-MPGM, OP-MPBM

Typeskilt

A	OP-MPXM034MLP00G	 MADE IN INDIA
B	114X4261	
C	Application MBP	IP 54
D	Refrigerant (1) R404A R507 R448A/R449A R407A/R407F/R452A	(2) R134a R513A
E	M.W.P. HP (1) 28 bar	(2) 23 bar
	M.W.P. LP (1) 7 bar	(2) 5 bar
F	Voltage 230 V ~ 1N ~ 50Hz	
	LRA 60 A	MCC 19 A
	OIL INSIDE POE 46	
G	Serial No. 123456CG2816	 11810XXXXXX
	EAN No. xxxxxxxxxxxxxxxx	

Danfoss A/S, 6480 Nordborg, Danmark



Billede 1: Minimumsafstande ved montering

Q: Luft ind

R: Luft ud

Enhed	W [mm]	X [mm]	Y [mm]	Z [mm]
Hus 1 (Kodenr. 114X31-- eller 114X41--)	250	550	456	456
Hus 2 (Kodenr. 114X32-- eller 114X42--)	250	650	530	530
Hus 3 (Kodenr. 114X33-- eller 114X43--)	250	760	581	581
Hus 4 (Kodenr. 114X34-- eller 114X44--)	250	900	700	700



⚠ Kondenseringsaggregatet må kun anvendes til det/de formål, det er beregnet til, og inden for dens anvendelsesområde.

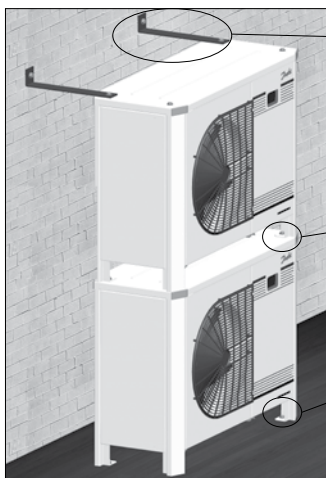
⚠ EN378 (og andre gældende lokale sikkerhedsbestemmelser) skal altid overholdes.

Kondenseringsaggregatet leveres med et nitrogengastryk (1 bar), og kan derfor ikke umiddelbart tilsluttes. Se afsnittet «montering» for yderligere oplysninger.

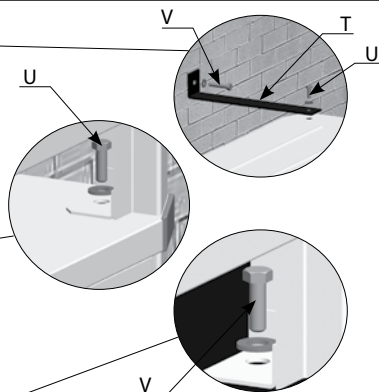
Kondenseringsaggregatet skal håndteres oprejst med forsigtighed (maks. hældning fra vertikal: 15 °)



Kondenseringsaggregatet må kun monteres og serviceres af uddannet personale. Følg denne vejledning og almindelig køleteknisk praksis i forbindelse med montering, idriftsættelse, vedligeholdelse og servicering.



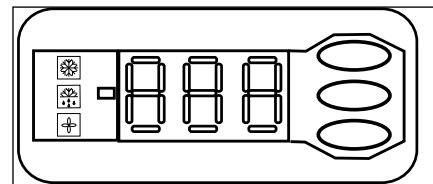
Billede 2: Stablet montering



T: Monteringsbeslag til stablet montering (medfølger ikke)

U: M8 bolte til stablet montering (medfølger)

V: Monteringsbolte (medfølger ikke)



Billede 3: Elektronisk regulatordisplay



Kompressoren kører



Krumtaphusvarme til



Ventilatoren kører



Temperaturværdi for sugetryk. Tryk på den nederste knap for at skifte til temperaturværdien for kondenseringsstrykket



Billede 4: Normal ledningsføring



Billede 5: Midlertidig ledningsføring

Vejledning

1 – Introduktion

Denne vejledning omhandler Opty™ Plus kondenseringsaggregaterne OP-LPHM, OP-MPYM, OP-MPXM, OP-MPGM, OP-MPQM, OP-LPQM, og OP-MPBM, der bruges til kølesystemer. Vejledningen indeholder oplysninger om sikkerhed og korrekt anvendelse af produktet.

Kondenseringsaggregaterne omfatter følgende:

- Micro Channel kondensator
- Stempel- eller scroll-kompressor
- Receiver med stopventil
- Kugleventiler
- Skueglas
- Høj- og lavtrykspressostat
- Udskifteligt Tørrefilter
- Elektronisk regulator
- Hovedafbryder (hovedafbryder med overbelastningssikring)
- Ventilator og kompressorkondensatorer
- Ventilator og kompressorkondensatorer
- Kompressorkontaktor
- Robust, vejrbestandigt hus

2 – Håndtering og opbevaring

- Emballagen bør ikke åbnes, før aggregatet befinder sig på det endelige monteringssted.
- Vær forsigtig ved håndtering af aggregatet. Emballagen kan løftes med gaffeltruck eller pal-læfter. Brug passende og sikkert løfteudstyr.
- Aggregatet skal opbevares og transporteres i opret stilling.
- Aggregatet skal opbevares ved temperaturer mellem -35 °C og 50 °C.
- Emballagen må ikke udsættes for regn eller korroderende atmosfærer.
- Kontrollér, at aggregatet er komplet og uden skader efter udpakning.

3 – Foranstaltninger ved montering

⚠ Aggregatet må aldrig anvendes i brændbar atmosfære.

⚠ Aggregatet skal anbringes, så det ikke blokerer eller hindrer gangområder, døre, vinduer eller lignende.

- Der skal være plads nok omkring aggregatet til at sikre luftcirkulation og til, at lågere kan åbnes. Minimumsafstandene til væggene angivet i billede 1.
- Undgå at aggregatet monteres på steder, det dagligt udsættes for direkte sollys over længere perioder.
- Undgå at aggregatet monteres i aggressive og støvede miljøer.
- Kontrollér at fundamentet har en vandret overflade (et fald på mindre end 3°), der er stærk og stabil nok til at bære hele aggregatets vægt og undgå vibrationer og forstyrrelser.
- Aggregatets omgivelsestemperatur må ikke overstige 50 °C, når det er slukket.
- Kontrollér, at strømforsyningen svarer til ag-

gregatets specifikationer (se typeskiltet).

- Når aggregater monteres til HFC-kølemidler, skal der anvendes udstyr, som er forbeholdt HFC-kølemidler, og som aldrig har været anvendt til CFC- eller HCFC-kølemidler.
- Anvend rene og tørre kølemiddelgennede kobberør og slaglodde materiale med sølvlegering.
- Anvend rene og tørre anlægsdele.
- Sugerørene, som er forbundet med kompressoren, skal være fleksible i tre dimensioner for at kunne dæmpe vibrationerne. Rørføringen skal desuden være udført, så olien kan løbe tilbage til kompressoren, og så risikoen for væskeslag undgås.

4 – Montering

- Den installation, hvor kondenseringsaggregatet skal monteres, skal overholde direktivet om trykbærende udstyr (PED) nr. 97/23/EF. Selve kondenseringsaggregatet er ikke en "enhed" inden for direktivets rammer.
- Det anbefales at montere aggregatet på gummi-fødder eller vibrationsdæmpere (medfølger ikke).
- Aggregaterne kan stables oven på hinanden.

Enhed	Maks. stabling
Hus 1 (Kodenr. 114X31-- eller 114X41--)	3
Hus 2 (Kodenr. 114X32-- eller 114X42--)	2
Hus 3 (Kodenr. 114X33-- eller 114X43--)	2
Hus 4 (Kodenr. 114X34-- eller 114X44--)	2

- Når aggregaterne stables, skal det øverste fastgøres til væggen som vist i billede 2.
- Tøm langsomt nitrogenfyldningen ud gennem schrader-porten.
- Slut aggregatet til anlægget så hurtigt som muligt for at undgå oliekontaminering fra fugtighed i omgivelserne.
- Sørg for, at der ikke kommer spåner eller lignende ind i anlægget, når der skæres rør. Bør aldrig huller, hvis graterne ikke kan fjernes.
- Vær meget forsigtig ved slaglodning. Anvend altid de sidste nye teknikker, og benyt baggas under lodning.
- Tilslut de nødvendige sikkerheds- og reguleringsanordninger. Hvis schrader-porten anvendes til dette formål, skal den indvendige ventil fjernes.
- Det anbefales at isolere sugerøret frem til kompressorstudsens med 19 mm tyk isolering.

5 – Læksøgning

⚠ Kredsløbet må aldrig trykprøves med oxygen eller tør luft. Dette kan medføre brand eller eksplosion.

- Anvend ikke farvestoffer til lækregistrering.
- Udfør en læksøgningstest på hele anlægget.
- Det maksimale testtryk er 31^{*)} bar.
- Hvis der opdages en læk, skal denne repareres, og læksøgningen skal gentages.

**) 25 bar for OP-.....AJ-.... & OP-.....FH-.... Modeller*

6 – Vakuumsugning

- Kompressoren må aldrig anvendes til tomsugning af anlægget.
- Slut en vakuumpumpe til både lavtryks- og højtrykssiden.
- Tomsug anlægget til et absolut tryk på 500 µm Hg (0,67 mbar).
- Der må hverken anvendes et megohmmeter eller slutes strøm til kompressoren, mens den er under vakuum, da dette kan forårsage indvendige skader. (Lysbue = kortslutning imellem viklingerne).

7 – Elektriske tilslutninger

- Afbryd hovedstrømforsyningen.
- Det skal sikres, at strømforsyningen ikke kan slås til under monteringsarbejdet.
- Alle elektriske komponenter skal vælges
- Beskyt strømforsyningen, og kontrollér, at jordingen er udført korrekt.
- Strømforsyningen skal etableres i henhold til lokale standarder og lovkraft.
- Aggregatet er udstyret med et elektronisk styresystem. Du finder yderligere oplysninger i vejledningen RS8GDxxx.
- Aggregatet har en hovedafbryder med overbelastningssikring. Overbelastningssikringen er indstillet fra fabrikken, men det anbefales at kontrollere dens værdi, før aggregatet sættes i drift. Overbelastningssikringens værdi er angivet på el-diagrammet, der sidder på aggregatets forreste dør.
- Aggregatet har høj- og lavtrykspressostater, der straks afbryder strømforsyningen til kompressoren, hvis de udløses. Parametrene for afbrydelse ved højt og lavt tryk er forudindstillet i regulatoren, der er tilpasset den kompressor, der er monteret i aggregatet.

Overhold den rigtige faserækkefølge for kompressorens omdrejningsretning på aggregatet med en 3-faset scroll-kompressor (OP-MPXMxxxxxxxE).

- Find faserækkefølgen ved hjælp af en fasemåler for at etablere faserækkefølgen for fase L1, L2 og L3.
- Tilslut fase L1, L2 og L3 til hovedafbryderens klemmer, hhv. T1, T2 og T3.

8 – Fyldning af anlægget

- Kompressoren må ikke startes under vakuum. Kompressoren skal være slukket.
- Brug kun det kølemiddel, aggregatet er beregnet til.
- Fyld kølemiddel i væskefase i kondensatoren eller receiveren. Anlægget skal langsomt fyldes til 4-5 bar (R404A/R448A/R449A/R407A/R407F/R452A) og ca. 2 bar (R134a, R513A).
- Restfyldningen udføres først, når anlægget har nået en stabil nominal driftstilstand.
- Efterlad aldrig kølemiddelflasken tilsluttet kredsløbet.

Vejledning

9 – Indstilling af det elektroniske styresystem

- Enheden har et elektronisk styresystem, der fra fabrikken er programmeret med parametre, der skal bruges med det pågældende aggregat. Læs mere i Manualen RS8GDXXX.
- Det elektroniske styresystem viser som standard temperaturværdien for suetrykket i ° C. Tryk på den nederste knap (billede 3) for at vise temperaturværdien for kondenseringstrykket.

Den elektroniske regulator er fabriksindstillet til R404A, R449A, R452A eller R134a, afhængigt af den monterede kompressormodel og applikation (se bilag i installationsmanualen til Optyma-regulatoren). Hvis der bruges andet kølemiddel, skal kølemiddelindstillingen ændres. Parameter r12 skal først indstilles til 0 (softwarehovedafbryder = fra).

- Hold den øverste knap inde i et par sekunder. Kolonnen med parameterkoder vises.
- Tryk på den øverste eller nederste knap for at finde parameterkode o30.
- Tryk på den midterste knap, indtil værdien for denne parameter vises.
- Tryk på den øverste eller nederste knap for at vælge den nye værdi: 2 = R22, 3 = R134a, 13 = R513A, 17 = R507, 19 = R404A, 20 = R407C, 21 = R407A, 37 = R407F, 40 = R448A, 41 = R449A, 42 = R452A
- Tryk på den midterste knap for at bekræfte den valgte værdi.

10 – Godkendelse inden idriftsættelse

⚠ Anvend sikkerhedsanordninger som f.eks. sikkerhedspressostater og mekaniske sikkerhedsventiler, som både overholder generelle og lokale sikkerhedsbestemmelser og sikkerhedsstandarder. Sørg for, at de fungerer og er indstillet korrekt.

⚠ Kontrollér, at indstillingerne på højtrykspresostaterne og sikkerhedsventilerne ikke overstiger det maksimale driftstryk på nogen af anlæggets dele.

- Kontrollér, at alle elektriske tilslutninger er korrekt fastgjorte og overholder de lokale bestemmelser.
- Når der anvendes en krumtaphusvarmer, skal aggregatet aktiveres mindst 12 timer før første opstart samt ved start efter langvarige standsninger, når der er tale om en krumtaphusvarmer af bæltetypen.
- Aggregatet har en hovedafbryder med overbelastningssikring. Overbelastningssikringen er forudindstillet fra fabrikken, men det anbefales at kontrollere dens værdi, før aggregatet sættes i drift. Overbelastningssikringens værdi er angivet på el-diagrammet, der sidder på aggregatets forreste dør.

11 – Opstart

- Start aldrig aggregatet, hvis der ikke er påfyldt kølemiddel.

- Alle serviceventiler skal være åbne.
- Rotalock-ventilen på receiveren skal drejes 1 omgang til lukkeretning for at få det rette kondenseringstryk for tryktransmitteren.
- Kontrollér, at strømforsyningen passer til aggregatet.
- Kontrollér, at krumtaphusvarmeren er tilsluttet og fungerer.
- Kontrollér, at ventilatoren kan rotere frit.
- Kontrollér, at beskyttelsesarket er fjernet på kondensatorens bagside.
- Afbalancer højtrykket/lavtrykket.
- Tænd for aggregatet. Det skal starte med det samme. Hvis kompressoren ikke starter, skal ledningsføringen og klemmernes spænding kontrolleres.
- En 3-faset kompressors omvendte omdrejningsretning kan registreres ved hjælp af følgende fænomener: Kompressoren opbygger ikke tryk, dens lydniveau er unormalt højt, og dens strømforbrug er unormalt lavt. I så fald skal der straks slukkes for aggregatet, hvorefter faserne tilsluttes de rigtige klemmer.
- Hvis omdrejningsretningen er korrekt, viser lavtryksangivelsen på regulatoren (eller på lavtryksmanometret) et faldende tryk, og højtryksangivelsen (eller højtryksmanometret) viser et stigende tryk.

12 – Kontrol med kørende aggregat

- Kontrollér ventilatorens omdrejningsretning. Luften skal strømme fra kondensatoren mod ventilatoren.
- Kontrollér strømforbrug og spænding.
- Kontrollér sugeoverhedningen for at reducere risikoen for væskeslag.
- Når der er monteret et skueglas, skal oliestanden kontrolleres ved start og under drift for at bekræfte, at oliestanden stadig kan ses.
- Driftsbegrænsningerne skal overholdes.
- Undersøg alle rør for unormale vibrationer. Hvis der er bevægelser på mere end 1,5 mm, skal der træffes korrigerende foranstaltninger, som f.eks. montering af rørbøjler.
- Hvis det er nødvendigt, kan der tilføjes et ekstra kølemiddel i væskefase i lavtrykssiden så langt væk som muligt fra kompressoren. Kompressoren skal køre under denne proces.
- Anlægget må ikke overfyldes.
- Følg de lokale bestemmelser for aftapning af kølemidler fra enhed.
- Slip aldrig kølemiddel ud i atmosfæren.
- Inden monteringsstedet forlades, udføres et generelt monteringseftersyn, hvor renlighed, støj og tæthed kontrolleres.
- Notér både kølemiddeltypen og -fyldningen foruden driftsbetingelserne. Dette anvendes som referencepunkt ved fremtidige eftersyn.

13 – Nøddrift uden regulator

Kondenseringsaggregatet kan stadig køre i tilfælde af regulatorsvigt, hvis regulatorens stan-

dardledningsføring (billede 4) ændres til en midlertidig ledningsføring (billede 5) som beskrevet herunder.

⚠ Denne ændring må kun udføres af autoriserede elektrikere. Lokal lovgivning skal overholdes.

⚠ Afbryd kondenseringsaggregatet fra strømforsyningen (sluk for udstyrets hovedafbryder).

- Rumtermostatens kontakt skal kunne skifte til 250 VAC.
- Fjern ledning 22 (sikkerhedsindgang DI3) og ledning 24 (rumtermostat DI1), og sæt dem sammen med en isoleret 250 VAC 10 mm² muffe.
- Fjern ledning 25 (rumtermostat DI1) og ledning 11 (kompressorforsyning), og sæt dem sammen med en isoleret muffe af typen 250 V AC 10 mm².
- Fjern ledning 6, og slut den til muffen til ledning 11 og 25. En ventilatorpressostat eller ventilatorhastighedsregulator kan serieforbindes med ledning 6.
- Fjern ledning 14 (krumtaphusvarmer), og slut den til kompressorkontaktorens klemme 22.
- Fjern ledning 12 (forsyning til krumtaphusvarmer), forlæng denne ledning med 0,4 m ved hjælp af en isoleret muffe af typen 250 V AC 10 mm² muffe og et 1,0 mm² kabel, og slut den derefter til kompressorkontaktorens klemme 21.
- Fjern den store klemblok fra regulatorens klemme 10 til 19.
- Tilslut kondenseringsaggregatet til strømforsyningen (tænd for aggregatets hovedafbryder).

14 – Vedligeholdelse

⚠ Sluk altid for aggregatet på hovedafbryderen, før ventilatorens dør(e) åbnes.

⚠ Det indvendige tryk og overfladetemperaturen er farlige og kan forårsage permanente skader. Serviceteknikerne skal have de rette kvalifikationer og være i besiddelse af egnet værktøj. Temperaturen i rørene kan overstige 100 °C og kan forårsage alvorlige forbrændinger.

⚠ Foretag regelmæssige eftersyn for at sikre anlæggets driftssikkerhed og som foreskrevet i lokale bestemmelser.

Følgende regelmæssige vedligeholdelse anbefales for at forhindre anlægsrelaterede problemer:

- Kontrollér, at sikkerhedsanordningerne fungerer og er indstillet korrekt.
- Sørg for, at anlægget er tæt.
- Kontrollér kompressorens strømforbrug.
- Kontrollér, at anlægget fungerer i overensstemmelse med tidligere vedligeholdelsesoptegnelser og omgivende forhold.
- Kontrollér, at alle elektriske tilslutninger stadig er ordentligt fastgjorte.
- Sørg for, at aggregatet er rent, og at der ikke er rust eller oxideringer på aggregatets komponenter, rør eller elektriske tilslutninger.

Kondensatoren skal efterses mindst én gang årligt

Vejledning

for tilstopning og rengøres, hvis det anses for nødvendigt. Adgang til kondensatorens indvendige side sker gennem ventilatorens dør. Mikrokanal kondensatorer er tilbøjelige til at akkumulere snavs på overfladen og ikke indvendigt, og de er derfor nemmere at rengøre end kondensator med ribber og rør.

- Sluk altid for aggregatet på hovedafbryderen, før ventilatorens dør åbnes.
- Fjern overfladisk snavs, blade, fibre osv. med en støvsuger med børste eller andet blødt tilbehør. Der kan alternativt blæses trykluft gennem kondensatoren indefra og ud, hvorefter kondensatoren børstes med en blød børste. Brug ikke en ståltrådsbørste. Rør ikke ved kondensatoren med støvsugerrøret eller luftdysen, og rids den ikke.
- Før ventilatordøren lukkes, skal dens blad drejes om i den position, der er vist i billede 6, for at undgå, at døren rammer ventilatoren.

Hvis køleanlægget har været åbnet, skal anlægget gennemblæses med tør luft eller nitrogen for at fjerne evt. fugt, og der skal monteres et nyt tørrefilter. Hvis et kølemiddel skal tømmes af, skal det ske på en måde, så der ikke frigives kølemiddel til miljøet.

15 – Overensstemmelseserklæring

• **Trykregulativet (Pressure Equipment Directive) 2014/68/EU EN 378-2:2016** - Kølesystemer og varmepumper – Sikkerheds- og miljømæssige krav - Del 2: Design, konstruktion, tests, mærkning og dokumentation

Lavspændingsdirektivet 2014/35/EU EN 60335-1:2012 + A11:2014- Elektriske apparater til husholdningsbrug o.l. – Sikkerhed – Del 1: Generelle krav for alle ovennævnte kondenseringsaggregater

Ecodesign-DIREKTIV 2009/125/EF om rammerne for fastlæggelse af krav til miljøvenligt design af energirelaterede produkter.

KOMMISSIONENS FORORDNING (EU) 2015/1095 om gennemførelse af Europa-Parlamentets og Rådets direktiv 2009/125/EF for så vidt angår krav til miljøvenligt design for professionelle lagerkøleskabe/lagerfryseskabe, blæstkølere/frysere, kondenseringsaggregater og væskekølere til proceskøling.

• Kondenseringsaggregatmålinger er udført i henhold til standarden EN 13771-2:2007 – Kompressorer og kondenserende enheder til køling – Ydeevneprøvning og prøvningsmetoder – Del 2: Condensing units

Produktgarantien kan bortfalde i følgende tilfælde:

- Manglende typeskilt.
- Udvendige ændringer, i særdeleshed boring, svejsning, ødelagte fødder og stødmærker.
- Kompressoren har været åbnet eller er returneret uden forsegling.
- Der er rust, vand eller farvestof til registrering af læk inden i kompressoren.
- Der er anvendt kølemiddel eller smøremiddel, som ikke er godkendt af Danfoss.
- De anbefalede anvisninger angående montering, anvendelse eller vedligeholdelse er ikke fulgt.
- Produktet er anvendt i mobile applikationer.
- Produktet er anvendt i et eksplosivt miljø.
- Der er ikke indsendt et modelnummer eller et serienummer sammen med garantianmeldelsen.

17 – Bortskaffelse



Danfoss anbefaler, at kondenseringsaggregater og olie genanvendes af en egnet virksomhed.

16 – Garanti

Indsend altid modelnummer og serienummer sammen med en evt. skadesanmeldelse for dette produkt.

Anleitung

Optyma™ Plus

OP-LPQM, OP-MPYM, OP-MPXM,
OP-MPGM, OP-MPBM

Typenschild

A	OP-MPXM034MLP00G	
B	114X4261	MADE IN INDIA
C	Application MBP	IP 54
D	Refrigerant (1) R404A R507 R448A/R449A R407A/R407F/R452A	(2) R134a R513A
E	M.W.P. HP (1) 28 bar	(2) 23 bar
	M.W.P. LP (1) 7 bar	(2) 5 bar
F	Voltage 230 V ~ 1N ~ 50Hz	MCC 19 A
	LRA 60 A	
	OIL INSIDE POE 46	
G	Serial No. 123456CG2816	
	EAN No. XXXXXXXXXXXXX	

Danfoss A/S, 6430 Nordborg, Denmark

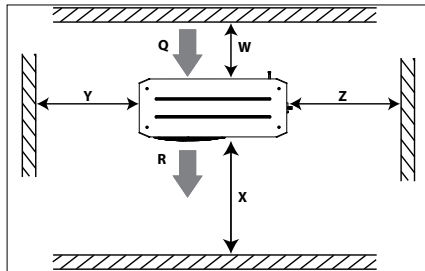


Bild 1: Mindestmontageabstände

Q: Lufteintritt

R: Luftaustritt

Einheit	B [mm]	X [mm]	Y [mm]	Z [mm]
Gehäuse 1 (Bestellnr.: 114X31– bzw. 114X41–)	250	550	456	456
Gehäuse 2 (Bestellnr. 114X32– bzw. 114X42–)	250	650	530	530
Gehäuse 3 (Bestellnr. 114X33– bzw. 114X43–)	250	760	581	581
Gehäuse 4 (Bestellnr. 114X34– bzw. 114X44–)	250	900	700	700



⚠ Der Verflüssigungssatz darf nur für den vorgesehenen Zweck und im entsprechenden Anwendungsbereich eingesetzt werden.

⚠ Die Bestimmungen gemäß EN378 (und alle anderen in Ihrem Land geltenden Sicherheitsvorschriften) müssen unbedingt eingehalten werden.

Bei Lieferung ist der Verflüssigungssatz mit gasförmigem Stickstoff gefüllt, der unter einem Druck von 1 bar steht. In diesem Zustand darf der Verflüssigungssatz nicht angeschlossen und betrieben werden. Näheres hierzu erfahren Sie im Abschnitt „Montage“.

Der Verflüssigungssatz muss in vertikaler Position montiert werden (maximale Abweichung von der Senkrechten: 15 °)



Montage und Wartung der Verflüssigungssätze sollten ausschließlich qualifiziertem Fachpersonal überlassen werden. Befolgen Sie diese Anleitung sowie die allgemein anerkannten Regeln für Einbau, Inbetriebnahme, Wartung und Instandhaltung von Kältetechnischen Anlagen.

- A:** Typ
- B:** Bestellnummer
- C:** Anwendung
- D:** Kältemittel
- E:** Zul. Betriebsüberdruck
- F:** Versorgungsspannung, Stromaufnahme bei blockiertem Rotor, maximale Stromaufnahme
- G:** Seriennummer und Barcode

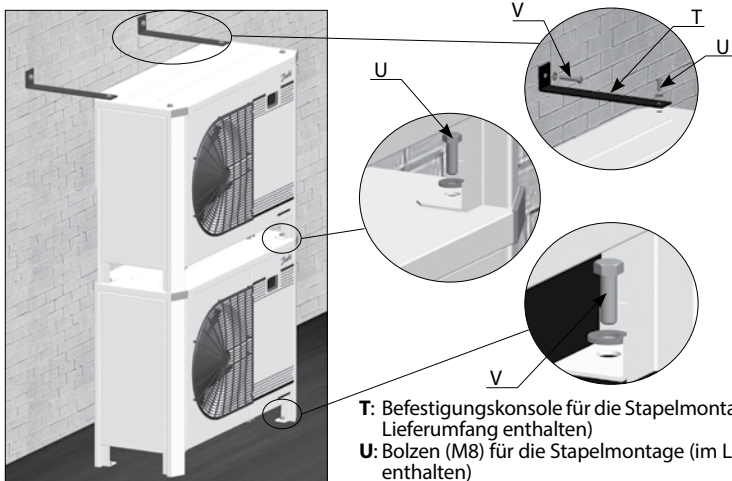


Bild 2: Stapelmontage

- T:** Befestigungskonsole für die Stapelmontage (nicht im Lieferumfang enthalten)
- U:** Bolzen (M8) für die Stapelmontage (im Lieferumfang enthalten)
- V:** Befestigungsbolzen (nicht im Lieferumfang enthalten)

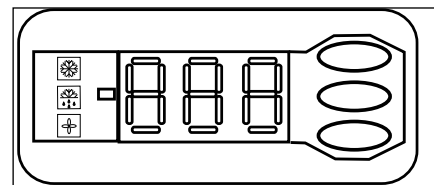


Bild 3: Display des elektronischen Reglers

- Verdichter in Betrieb
- Kurbelwannenheizung in Betrieb
- Lüfter in Betrieb
- Temperaturwert für den Saugdruck. Untere Taste drücken, um zum Temperaturwert für den Verflüssigungsdruck zu wechseln.



Bild 4: Normale Verdrahtung

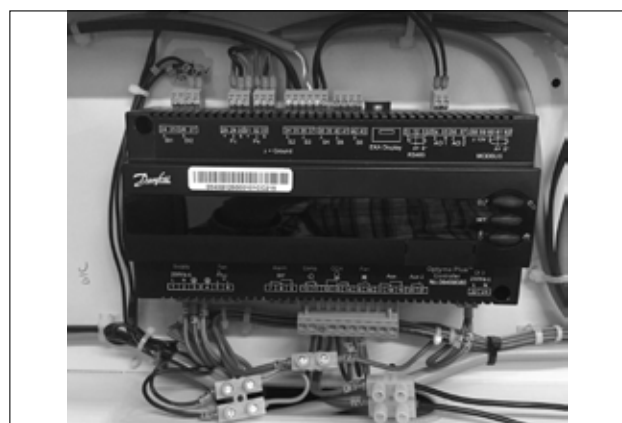


Bild 5: Vorläufige Verdrahtung für Notbetrieb

Anleitung

1. Einleitung

Diese Anleitung bezieht sich auf die Verflüssigungssätze der Produktreihe Optyma™ Plus neue Generation (OP-LPHM, OP-MPYM, OP-MPXM, OP-MPGM, OP-MPQM, OP-LPQM und OP-MPBM) für Kälteanlagen. Sie enthält die erforderlichen Angaben für eine sichere und ordnungsgemäße Nutzung dieser Produkte.

Der Verflüssigungssatz enthält folgende Bauteile:

- Microchannel-Wärmeübertrager
- Hubkolben- oder Scrollverdichter
- Sammler mit Absperrventil
- 2 Kugelabsperrventile
- Schauglas
- Hoch- & Niederdruckschalter (Patrone)
- Austauschbarer Filtertrockner
- Elektronischer Regler
- Notausschalter (Hauptschalter mit Überlastschutz)
- Lüfter- und ggf. Verdichterkondensatoren
- Verdichterschütz
- Robustes, wetterfestes Gehäuse

2. Handhabung und Lagerung

- Es wird empfohlen, die Verpackung erst am endgültigen Montageort zu öffnen.
- Handhaben Sie das Gerät pfleglich. Die Verpackung gestattet den Einsatz eines Gabelstaplers oder -hubwagens. Verwenden Sie ausschließlich geeignete und sichere Hebezeuge.
- Der Verflüssigungssatz darf nur aufrecht stehend transportiert und gelagert werden.
- Zulässige Lagertemperatur: -35 °C bis 50 °C.
- Die Verpackung darf weder Regen, noch ätzenden Atmosphären ausgesetzt werden.
- Vergewissern Sie sich nach dem Auspacken, dass der Verflüssigungssatz vollständig und unbeschädigt ist.

3. Sicherheitsvorkehrungen bei der Installation

⚠ Stellen Sie den Verflüssigungssatz niemals in einer explosionsfähigen Atmosphäre auf.

⚠ Achten Sie bei der Positionierung des Verflüssigungssatzes darauf, dass keine Durchgänge, Türen, Fenster oder Ähnliches blockiert werden.

- Achten Sie darauf, dass ausreichend Platz um den Verflüssigungssatz gelassen wird, damit die Luft zirkulieren kann und sich sämtliche Türen öffnen lassen. Die Mindestabstände zu den Wänden entnehmen Sie bitte Bild 1.
- Installieren Sie den Verflüssigungssatz NICHT an Orten, die täglich längerer Sonneneinstrahlung ausgesetzt sind.
- Installieren Sie den Verflüssigungssatz NICHT in aggressiven oder staubigen Umgebungen.
- Stellen Sie den Verflüssigungssatz auf einer horizontalen Fläche (mit weniger als 3 Grad Neigung) auf. Der Boden sollte eine ausreichende Tragfähigkeit besitzen, um das Gewicht des gesamten Verflüssigungssatzes tragen zu können, und stabil genug sein, um Vibrationen und Interferenzen zu eliminieren.
- Im Aus-Zustand darf die Umgebungstemperatur des Verflüssigungssatzes 50 °C nicht überschreiten.
- Vergewissern Sie sich, dass die Versorgungsspannung den Motoreigenschaften des Verflüssigungssatzes entspricht (siehe Typenschild).
- Verwenden Sie bei der Installation der Verflüssigungssätze für FKW-Kältemittel nur Teile, die speziell für FKW-Kältemittel vorgesehen sind und die zuvor nicht in Anlagen mit FCKW- oder

HFCKW-Kältemitteln eingesetzt wurden.

- Verwenden Sie saubere und trockene für Kältemittel geeignete Kupferrohre und eine Silberlegierung als Lötmaterial.
- Benutzen Sie saubere und trockene Anlagenkomponenten.
- Die an den Verdichter angeschlossene Saugleitung muss in alle 3 Dimensionen flexibel sein, um Vibrationen zu dämpfen. Darüber hinaus muss die Verrohrung so erfolgen, dass der Ölrücklauf zum Verdichter sichergestellt ist und dass das Risiko von Flüssigkeitsschlägen im Verdichter ausgeschlossen ist.

4. Installation

- Die Anlage, in die der Verflüssigungssatz eingebaut wird, muss der Druckgeräterichtlinie (DGRL) Nr. 97/23/EG entsprechen. Der Verflüssigungssatz selbst ist kein „Gerät“ im Sinne dieser Richtlinie.
- Es wird empfohlen, den Verflüssigungssatz auf Montagegemmis oder Schwingungsdämpfern (nicht im Lieferumfang enthalten) zu montieren.
- Es ist möglich, mehrere Verflüssigungssätze übereinander zu stapeln.

Verflüssigungssatz	Maximale Stapelhöhe
Gehäuse 1 (Bestellnr.°114X31-- bzw. 114X41--)	3
Gehäuse 2 (Bestellnr.°114X32-- bzw. 114X42--)	2
Gehäuse 3 (Bestellnr.°114X33-- bzw. 114X43--)	2
Gehäuse 4 (Bestellnr.°114X34-- bzw. 114X44--)	2

- Bei der Stapelmontage muss der oberste Verflüssigungssatz an der Wand befestigt werden (siehe Bild 2).
- Lassen Sie die Stickstoff-Füllung langsam durch den Schraderanschluss ab.
- Schließen Sie den Verflüssigungssatz möglichst schnell an die Anlage an, um eine Kontamination des Öls mit Umgebungsfeuchtigkeit zu vermeiden.
- Verhindern Sie, dass beim Zuschneiden der Rohrleitungen Fremdkörper in die Anlage eindringen. Bohren Sie niemals Löcher, deren Grat nicht entfernt werden können.
- Lassen Sie beim Lötén größte Vorsicht walten. Verwenden Sie nur modernste Lötverfahren und durchströmen Sie dabei die Rohrleitungen mit gasförmigem Stickstoff.
- Schließen Sie die erforderlichen Sicherheits- und Steuergeräte an. Falls der Schraderanschluss verwendet wird, entfernen Sie das interne Ventil.
- Es wird empfohlen, die Saugleitung bis zum Verdichtereintritt mit einer 19 mm dicken Isolierung zu dämmen.

5. Lecksuche

⚠ Setzen Sie den Kreislauf niemals mit Sauerstoff oder trockener Luft unter Druck. Das könnte einen Brand oder eine Explosion verursachen.

- Benutzen Sie für die Lecksuche keinen Farbstoff.
- Unterziehen Sie die gesamte Anlage einer Dichtigkeitsprüfung.
- Der maximale Prüfdruck beträgt 31^{*)} bar.
- Reparieren Sie entdeckte Lecks und wiederholen Sie dann die Lecksuche.

^{*) 25 bar für OP-.....AJ.... & OP-.....FH.... Modelle}

6. Evakuieren

- Benutzen Sie niemals den Verdichter zur Evakuierung der Anlage.
- Schließen Sie sowohl an die Nieder- als auch an die Hochdruckseite eine Vakuumpumpe an.
- Evakuieren Sie die Anlage bis auf einen Absolutwert von 500 µm Hg (0,67 mbar).
- Verwenden Sie während der Evakuierung kein Megohmmeter und legen Sie auch keine Spannung an den Verdichter an, um eine Beschädigung des Verdichters zu vermeiden.

7. Elektrische Anschlüsse

- Schalten Sie die Spannungsversorgung ab und trennen Sie den Verflüssigungssatz vom Netz.
- Stellen Sie sicher, dass die Spannungsversorgung während der Installation nicht eingeschaltet werden kann.
- Die Auswahl aller elektrischen Bauteile muss gemäß den landesspezifischen Normen und Vorschriften für Verflüssigungssätze erfolgen.
- Näheres zu den elektrischen Anschlüssen entnehmen Sie dem Schaltplan.
- Stellen Sie sicher, dass die Versorgungsspannung den Eigenschaften des Verflüssigungssatzes entspricht und stabil anliegt (Nennspannung ±10 % und Nennfrequenz = ±2,5 Hz)
- Dimensionieren Sie die Spannungsversorgungskabel gemäß der für den Verflüssigungssatz vorgegebene Spannung und Stromstärke.
- Schützen Sie die Spannungsversorgung und stellen Sie deren ordnungsgemäße Erdung sicher.
- Die Spannungsversorgung muss den Normen und gesetzlichen Bestimmungen Ihres Landes entsprechen.
- Der Verflüssigungssatz ist mit einem elektronischen Regler ausgestattet. Näheres entnehmen Sie dem Handbuch „Manual RS8GDxxx“.
- Der Verflüssigungssatz ist mit einem Hauptschalter mit Überlastschutz ausgestattet. Der Überlastschutz ist werkseitig voreingestellt. Es wird jedoch empfohlen, den Wert vor der Inbetriebnahme des Verflüssigungssatzes zu überprüfen. Den Wert für den Überlastschutz finden Sie im Schaltplan auf der Innenseite der Fronttür am Verflüssigungssatz.
- Die Anlage ist mit Hoch- und Niederdruckschaltern ausgestattet, die bei Aktivierung die Spannungsversorgung des Verdichters direkt unterbrechen. Die Parameter für die Hoch- und Niederdruck-Abschaltung durch den Regler sind im Regler voreingestellt und an den Verdichter in der Anlage angepasst.

Bei Anlagen mit einem 3-Phasen-Scrollverdichter (OP-MPXMxxxxxxx) muss die korrekte Phasensequenz für die Drehrichtung des Verdichters beachtet werden.

- Ermitteln Sie die Phasensequenz mit einem Phasenmesser, um die Phasenreihenfolge der Leitungsphasen L1, L2 und L3 festzustellen.
- Schließen Sie die Leitungsphasen L1, L2 und L3 an die entsprechenden Hauptschalterklemmen T1, T2 und T3 an.

8. Füllen der Anlage

- Nehmen Sie den Verdichter niemals unter Vakuum in Betrieb. Sorgen Sie dafür, dass der Verdichter ausgeschaltet ist und nicht plötzlich anspringt.
- Verwenden Sie ausschließlich das Kältemittel, auf das der Verflüssigungssatz ausgelegt ist.

Anleitung

- Füllen Sie das flüssige Kältemittel in den Verflüssiger oder Sammler. Stellen Sie sicher, dass die Anlage langsam befüllt wird (auf 4 bis 5 bar bei R404A/R448A/R449A/R407A/R407F/R452A und auf ca. 2 bar bei R134a, R513A).
- Die Anlage wird dann weiter befüllt, bis die Installation beim Betrieb einen stabilen Nennzustand erreicht hat.
- Lassen Sie den Einfüllstutzen niemals an den Kreislauf angeschlossen.

9. Einstellen des elektronischen Reglers

- Der Verflüssigungssatz ist ab Werk mit Parametern für den Einsatz in der jeweiligen Anlage programmiert. Näheres entnehmen Sie dem Handbuch „Manual RS8GDXXX“.
- Standardmäßig wird auf dem Display des elektronischen Reglers der Temperaturwert für den Saugdruck in °C angezeigt. Drücken Sie die untere Taste (Bild 3), um den Temperaturwert für den Verflüssigungsdruck anzuzeigen.

Der elektronische Regler ist werkseitig auf R404A R449A, R452A oder R134a voreingestellt - je nach eingebautem Verdichtertyp und Anwendung (siehe Anhang der Optyma Plus Regler-Betriebsanleitung). Bei Verwendung eines anderen Kältemittels muss die Kältemittelleinstellung geändert werden. Der Parameter r12 muss zuerst auf 0 gesetzt werden (Software-Hauptschalter = Off), dann:

- Halten Sie die obere Taste einige Sekunden gedrückt. Daraufhin wird ein Parametercode eingeblendet.
- Drücken Sie die obere oder untere Taste, um zum Parametercode o30 zu navigieren.
- Halten Sie die mittlere Taste gedrückt, bis der Wert für diesen Parameter angezeigt wird.
- Drücken Sie die obere bzw. untere Taste, um den neuen Wert auszuwählen: 2 = R22, 3 = R134a, 13 = R513A, 17 = R507, 19 = R404A, 20 = R407C, 21 = R407A, 37 = R407F, 40 = R448A, 41 = R449A, 42 = R452A.
- Drücken Sie die mittlere Taste, um den ausgewählten Wert zu bestätigen

10. Abschließende Prüfung vor der Inbetriebnahme

⚠ Verwenden Sie gemäß den allgemeinen und landesspezifischen Sicherheitsnormen und -vorschriften Sicherheitsvorrichtungen wie Sicherheitsdruckschalter und mechanische Überdruckventile. Vergewissern Sie sich, dass diese Sicherheitsvorrichtungen funktionstüchtig und ordnungsgemäß eingestellt sind.

⚠ Überprüfen Sie, dass die Einstellungen für die Hochdruckschalter und Überdruckventile den maximalen Betriebsdruck jeglicher Bauteile der Anlage nicht überschreiten.

- Vergewissern Sie sich, dass sämtliche elektrischen Anschlüsse ordnungsgemäß befestigt sind und den Vorschriften Ihres Landes entsprechen.
- Um der Kurbelwannenheizung etwas Vorlauf zu geben (besonders bei niedrigen Umgebungstemperaturen), muss die Einheit mindestens 12 Stunden vor der ersten Inbetriebnahme und vor einer erneuten Inbetriebnahme nach längeren Stillstandszeiten der Anlage eingeschaltet werden.
- Der Verflüssigungssatz ist mit einem Hauptschalter mit Überlastschutz ausgestattet. Der Überlastschutz ist werkseitig voreingestellt. Es wird jedoch empfohlen, den Wert vor der

Inbetriebnahme des Verflüssigungssatzes zu überprüfen. Den Wert für den Überlastschutz finden Sie im Schaltplan auf der Innenseite der Fronttür am Verflüssigungssatz.

11. Inbetriebnahme

- Der Verflüssigungssatz darf niemals ohne Kältemittel betrieben werden.
- Alle Serviceventile müssen geöffnet sein.
- Beim Rotalockventil am Sammler ist eine Umdrehung in Schließrichtung vorzunehmen, um den richtigen Verflüssigungsdruck für den Druckmessumformer zu erhalten
- Überprüfen Sie, ob die vorhandene Versorgungsspannung mit dem erforderlichen Wert für den Verflüssigungssatz übereinstimmt.
- Überprüfen Sie, ob der Startregler funktioniert.
- Überprüfen Sie, ob sich der Lüfter frei drehen kann.
- Überprüfen Sie, ob die Schutzfolie auf der Rückseite des Verflüssigers entfernt wurde.
- Nehmen Sie einen Ausgleich zwischen Hoch- und Niederdruckseite vor.
- Schalten Sie den Verflüssigungssatz ein. Der Verflüssigungssatz muss sofort anlaufen. Falls der Verdichter nicht anläuft, überprüfen Sie die Verdrahtung und die Spannung an den Klemmen.
- Ob sich ein 3-Phasen-Verdichter in die Gegenrichtung dreht, lässt sich an folgenden Phänomenen erkennen: Der Verdichter baut keinen Druck auf. Der Verdichter arbeitet mit einem ungewöhnlichen hohen Geräuschpegel. Die Leistungsaufnahme des Verdichters ist ungewöhnlich gering. Bei falscher Drehrichtung des Verdichters muss der Verdichter sofort abgeschaltet werden, um die Leitungsphasen an die korrekten Klemmen anzuschließen.
- Bei korrekter Drehrichtung ist an der Niederdruckanzeige bzw. am Niederdruckmanometer ein sinkender Druck abzulesen – und an der Hochdruckanzeige bzw. am Hochdruckmanometer ein steigender Druck.

12. Überprüfung bei laufendem Verflüssigungssatz

- Überprüfen Sie die Drehrichtung des Lüfters. Die Luft muss vom Verflüssiger zum Lüfter strömen.
- Überprüfen Sie Stromaufnahme und Spannung.
- Überprüfen Sie die Überhitzung der Saugleitung, um das Risiko von Flüssigkeitsschlägen zu vermindern.
- Sofern ein Schauglas vorhanden ist, beobachten Sie den Ölstand beim Anlaufen und während des Betriebs, um sicherzustellen, dass der Ölstand sichtbar bleibt.
- Beachten Sie die Betriebsgrenzen.
- Überprüfen Sie alle Leitungen auf übermäßige Vibrationen. Bewegungen von mehr als 1,5 mm erfordern Korrekturmaßnahmen wie z. B. die Verwendung von Rohrhalterungen.
- Ggf. kann auf der Niederdruckseite in größtmöglichem Abstand zum Verdichter flüssiges Kältemittel nachgefüllt werden. Während dieses Nachfüllvorgangs muss der Verdichter in Betrieb sein.
- Überfüllen Sie die Anlage nicht.
- Beachten Sie die in Ihrem Land geltenden Vorschriften zum Recycling des Kältemittels aus dem Gerät.
- Lassen Sie niemals Kältemittel in die Atmosphäre entweichen.
- Führen Sie eine allgemeine Inspektion der Installation hinsichtlich Sauberkeit, Geräuschpegel und Lecks durch, bevor Sie den Installationsort verlassen.

- Dokumentieren Sie die Art und Menge des Kältemittels sowie die Betriebsbedingungen als Referenz für künftige Inspektionen.

13. Notbetrieb ohne Regler

Bei Ausfall des Reglers kann der Verflüssigungssatz weiter betrieben werden, sofern die Standardverdrahtung (Bild 4) des Reglers wie unten beschrieben modifiziert und in eine vorübergehende Verdrahtung geändert wird.

⚠ Diese Modifikation darf nur von qualifizierten Elektrikern und Personal mit der erforderlichen Sachkunde vorgenommen werden. Hierbei müssen die Vorschriften und Bestimmungen Ihres Landes beachtet werden.

⚠ Trennen Sie den Verflüssigungssatz von der Spannungsversorgung (drehen Sie den Notauschalter in die Aus-Position).

- Der Kontakt des Raumthermostats muss 250 VAC schalten können.
- Entfernen Sie die Ader 22 (Sicherheitseingang D13) sowie die Ader 24 (Raumthermostat D1) und verbinden Sie diese Adern mit einer isolierten Klemmenbrücke (250 Vac, 10 mm²).
- Entfernen Sie die Ader 25 (Raumthermostat D1) und 11 (Spannungsversorgung des Verdichters) und verbinden Sie die beiden Adern mit einer isolierten Klemmenbrücke (250 Vac, 10 mm²).
- Entfernen Sie Ader 6 und verbinden Sie ihn mit der Klemmenbrücke für die Adern 11 und 25. An die Ader 6 kann ein Lüfterdruckschalter bzw. eine Lüfterdrehzahlregelung in Reihe geschaltet, angeschlossen werden.
- Entfernen Sie den Draht 14 (Startregler) und schließen Sie ihn an die Klemme 22 des Verdichterschutzes an.
- Entfernen Sie den Draht 12 (Spannungsversorgung des Startreglers) und verlängern Sie diesen Draht. Verwenden Sie hierzu eine Klemmenbrücke (250 Vac, 10 mm²) und einen braunen Draht (1,0 mm²). Schließen Sie den Draht dann an die Klemme 21 des Verdichterschutzes an.
- Entfernen Sie den großen Klemmenblock von den Reglerklemmen 10 bis 19.
- Schließen Sie den Verflüssigungssatz an die Spannungsversorgung an (schalten Sie den Gerätehauptschalter ein).

14. Wartung

⚠ Schalten Sie den Verflüssigungssatz immer mit dem Hauptschalter aus, bevor Sie die Lüftertür(en) öffnen.

⚠ Der in der Anlage herrschende Druck und die Oberflächentemperatur können dauerhafte körperliche Schäden verursachen. Die Bediener, Installateure und Wartungstechniker müssen dementsprechend geschult und ausgerüstet sein. Die Temperatur der Rohrleitungen kann 100 °C überschreiten und schwere Verbrennungen verursachen.

⚠ Stellen Sie sicher, dass regelmäßig Serviceinspektionen gemäß den Vorschriften Ihres Landes durchgeführt werden, um einen zuverlässigen Betrieb der Anlage zu gewährleisten.

Um systembedingte Probleme zu vermeiden, werden die folgenden regelmäßigen Wartungsarbeiten empfohlen:

- Vergewissern Sie sich, dass die Sicherheitsvorrichtungen funktionstüchtig und ordnungsgemäß eingestellt sind.
- Stellen Sie sicher, dass keine Lecks in der Anlage

Anleitung

- ge vorhanden sind.
- Überprüfen Sie die Stromaufnahme des Verdichters.
- Vergewissern Sie sich anhand der Wartungsunterlagen, dass die Anlage entsprechend den bisherigen Werten und Betriebsbedingungen läuft.
- Überprüfen Sie, ob sämtliche elektrischen Anschlüsse noch ordnungsgemäß befestigt sind.
- Sorgen Sie dafür, dass der Verflüssigungssatz sauber ist und bleibt, und vergewissern Sie sich, dass die Bauteile des Verflüssigungssatzes, die Rohre und die elektrischen Anschlüsse frei von Rost und Oxidation sind.

Der Verflüssiger muss mindestens einmal im Jahr auf Verschmutzungen überprüft und ggf. gereinigt werden. An der Innenseite des Verflüssigers gelangen Sie über die Lüftertür. Bei Microchannel-Wärmeübertragern lagert sich der Schmutz eher auf als im Verflüssiger. Deshalb sind sie leichter zur reinigen als Lamellenrohrverflüssiger.

- Schalten Sie den Verflüssigungssatz mit dem Hauptschalter aus, bevor Sie die Lüftertür öffnen.
- Entfernen Sie oberflächlichen Schmutz, Blätter, Fasern usw. mit einem Staubsauger mit Bürstenaufsatz bzw. mit einem anderen weichen Aufsatz. Alternativ hierzu können Sie auch Druckluft von innen nach außen durch das Register blasen und mit einer weichen Bürste abbürsten. Verwenden Sie keine Drahtbürste. Stoßen Sie nicht mit dem Rohr oder der Düse des Staubsaugers gegen die

Spule und vermeiden Sie Kratzer.

- Bevor Sie die Lüftertür wieder schließen, drehen Sie den Lüfterflügel in die in Bild 6 gezeigte Position, damit die Tür nicht gegen den Lüfter stößt.

15 – Konformitätserklärung

- **PED Druckgeräterichtlinie 2014/68/EU EN 378-2:2016** - Kälteanlagen und Wärmepumpen – Sicherheitstechnische und umweltrelevante Anforderungen – Teil 2: Konstruktion, Herstellung, Prüfung, Kennzeichnung und Dokumentation

Niederspannungsrichtlinie 2014/35/EU EN 60335-1:2012 + A11:2014 - Sicherheit elektrischer Geräte für den Hausgebrauch und ähnliche Zwecke – Teil 1: Allgemeine Anforderungen – für alle oben genannten Verflüssigungssätze

Ökodesign-Richtlinie 2009/125/EG zur Schaffung eines Rahmens für die Festlegung von Anforderungen an die umweltgerechte Gestaltung energieverbrauchsrelevanter Produkte.

VERORDNUNG (EU) 2015/1095 zur Durchführung der Richtlinie 2009/125/EG im Hinblick auf die Festlegung von Anforderungen an die umweltgerechte Gestaltung von gewerblichen Kühltageschränken, Schnellkühlern/-froster, Verflüssigungssätzen und Prozesskühlern.

- Verflüssigungssatzmessungen erfolgen gemäß der Norm „EN 13771-2:2007“ – Kältemittel-Verdichter und Verflüssigungssätze für die Kälteanwendung – Leistungsprüfung und Prüfverfahren – Teil 2: Verflüssigungssätze

16. Garantie

Zur Geltendmachung eines Garantieanspruchs müssen stets die Typenbezeichnung und Seriennummer des Produkts übermittelt werden.

Unter Umständen erlischt die Produktgarantie in folgenden Fällen:

- Fehlen des Typenschildes.
- Äußere Modifikationen, vor allem durch Bohren, Schweißen, gebrochene Füße und Stoßspuren.
- Öffnung des Verdichters/Rückgabe eines unversiegelten Verdichters.
- Rost, Wasser oder Farbstoff zur Lecksuche im Inneren des Verdichters.
- Verwendung eines von Danfoss nicht zugelassenen Kältemittels oder Schmierstoffes.
- Jegliche Abweichung von den Hinweisen zur Installation, Anwendung oder Wartung.
- Benutzung in mobilen Anwendungen.
- Benutzung in einer explosionsfähigen Atmosphäre.
- Keine Angabe der Modell- oder Seriennummer bei der Geltendmachung des Garantieanspruchs.

17. Entsorgung



Danfoss empfiehlt die Entsorgung der Verflüssigungssätze und des Öls durch ein entsprechend qualifiziertes Unternehmen am Standort der Anlage.

Instructions

Optyma™ Plus

OP-LPQM, OP-MPYM, OP-MPXM,
OP-MPGM, OP-MPBM

Plaque signalétique

A	OP-MPXM034MLP00G		MADE IN INDIA
B	114X4261		
C	Application MBP	IP 54	
D	Refrigerant (1) R404A R507 R448A/R449A R407A/R407F/R452A	(2) R134a R513A	
E	M.W.P. HP (1) 28 bar	(2) 23 bar	
	M.W.P. LP (1) 7 bar	(2) 5 bar	
F	Voltage 230 V ~ 1N ~ 50Hz		
	LRA 60 A	MCC 19 A	
	OIL INSIDE POE 46		
G	Serial No. 123456CG2816		1180XXXXX
	EAN No. xxxxxxxxxxxxxx		

Danfoss A/S, 6430 Nordborg, Denmark

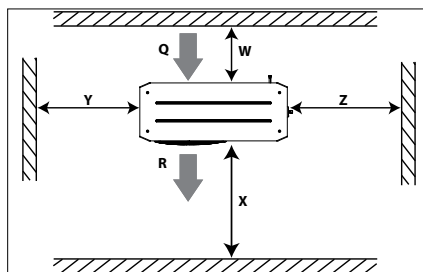


Illustration 1 : Distances de montage minimum

Q : Air entrant	R : Air sortant				
Logement	Code n°	W [mm]	X [mm]	Y [mm]	Z [mm]
Logement 1	(Code n° 114X31-- ou 114X41--)	250	550	456	456
Logement 2	(Code n° 114X32-- ou 114X42--)	250	650	530	530
Logement 3	(Code n° 114X33-- ou 114X43--)	250	760	581	581
Logement 4	(Code n° 114X34-- ou 114X44--)	250	900	700	700



⚠ Le groupe de condensation doit être utilisé uniquement dans le ou les buts pour lesquels il a été conçu et en respectant sa plage d'utilisation.

⚠ En toutes circonstances, la directive EN378 (ou une autre réglementation de sécurité locale applicable) doit être respectée.

Le groupe de condensation est livré à une pression d'azote gazeux de 1 bar et ne doit donc pas être raccordé en l'état ; reportez-vous à la section « installation » pour plus de détails.

Le groupe de condensation doit être manipulé avec précaution et en position verticale (inclinaison maximale : 15°)

⚠ **L'installation et l'entretien des groupes de condensation doivent être effectués uniquement par du personnel qualifié. Respectez ces instructions et les bonnes pratiques d'ingénierie de la réfrigération pour l'installation, la mise en service, la maintenance et l'entretien.**

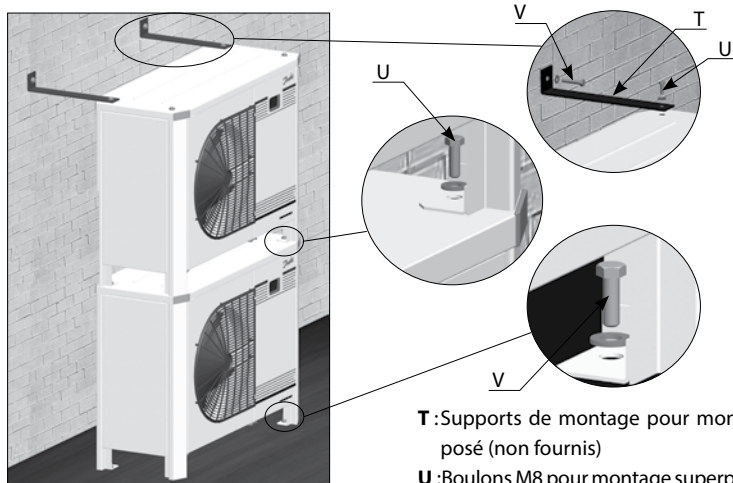


Illustration 2 : Montage superposé

T : Supports de montage pour montage superposé (non fournis)
U : Boulons M8 pour montage superposé (fournis)
V : Boulons de montage (non fournis)

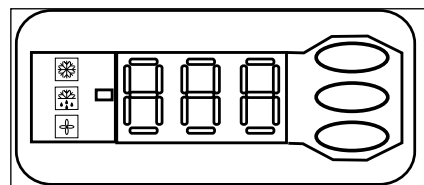


Illustration 3 : Affichage du régulateur électronique

- Compresseur en fonctionnement
 - Résistance de carter activée
 - Ventilateur en fonctionnement
- Valeur de la température pour la pression d'aspiration. Appuyez sur le bouton inférieur pour passer à la valeur de la température pour la pression de condensation.



Illustration 4 : Câblage normal

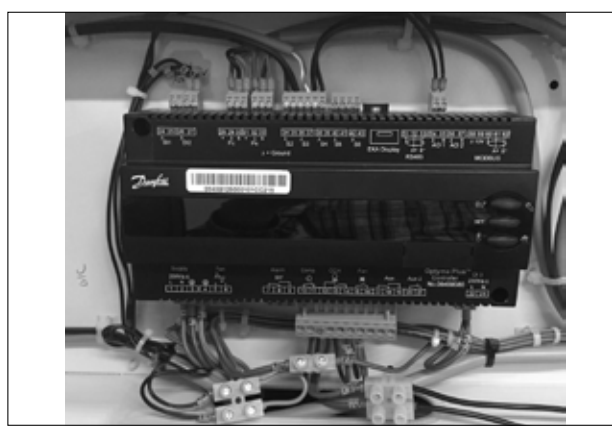


Illustration 5 : Câblage temporaire

Instructions

1 – Introduction

Ces instructions concernent les groupes de condensation Optyma™ Plus OP-LPHM, OP-MPYM, OP-MPXM, OP-MPGM, OP-MPQM, OP-LPQM et OP-MPBM utilisés pour les systèmes de réfrigération. Elles fournissent les informations nécessaires pour la sécurité et l'utilisation appropriée de ces produits.

Le groupe de condensation comprend les éléments suivants :

- Échangeur de chaleur à microcanaux
- Compresseur à piston ou scroll
- Réservoir avec vanne d'arrêt
- Vannes à boule
- Voyant de liquide
- Pressostats HP/BP
- Udskifteligt tørrefilter
- Contrôle électronique
- Sectionneur principal (Interrupteur principal avec protection contre les surcharges)
- Ventilateur et condensateurs de compresseurs
- Contacteur du compresseur
- Logement robuste et résistant aux intempéries

2 – Manipulation et stockage

- Il est recommandé de ne pas ouvrir l'emballage avant d'avoir positionné le groupe à son emplacement d'installation
- Manipulez le groupe avec soin. L'emballage permet l'utilisation d'un chariot élévateur ou d'un transpalette. Utilisez un équipement de levage approprié et sûr.
- Stockez et transportez le groupe en position verticale.
- Stockez le groupe à une température comprise entre -35 °C et 50 °C.
- N'exposez pas l'emballage à la pluie ou à une atmosphère corrosive.
- Après le déballage, vérifiez que le groupe est complet et qu'il n'est pas endommagé.

3 – Précautions d'installation

⚠ Ne placez jamais le groupe dans une atmosphère inflammable.

⚠ Positionnez le groupe de manière à ne pas bloquer ou gêner le passage, les portes, les fenêtres, etc.

- Assurez-vous de laisser un espace adéquat autour du groupe afin de permettre la circulation de l'air et l'ouverture des portes. Référez-vous à l'illustration 1 pour obtenir les distances minimales à respecter entre le groupe et les murs.
- Évitez d'installer le groupe à un emplacement exposé quotidiennement au rayonnement direct du soleil pendant de longues périodes.
- Évitez d'installer le groupe dans un environnement agressif et poussiéreux.
- Assurez-vous de disposer d'une fondation horizontale (inclinaison inférieure à 3°), suffisamment stable et résistante pour pouvoir supporter l'intégralité du poids du groupe et éliminer les vibrations et les interférences.
- La température ambiante d'utilisation du groupe ne doit pas dépasser 50 °C lors du cycle d'arrêt.
- Assurez-vous que l'alimentation électrique correspond aux caractéristiques du groupe (voir la plaque signalétique).
- Lors de l'installation de groupes pour réfrigérants HFC, utilisez l'équipement spécialement réservé aux réfrigérants HFC n'ayant jamais

été utilisé pour des réfrigérants CFC ou HCFC.

- Utilisez des tubes en cuivre pour réfrigération, propres et déshydratés, et un matériau de brasure d'alliage d'argent.
- Utilisez des composants de système propres et déshydratés.
- La tuyauterie d'aspiration raccordée au compresseur doit être flexible dans les 3 dimensions afin d'amortir les vibrations. En outre, la tuyauterie doit être installée de manière à assurer le retour d'huile du compresseur et à éviter tout risque de coups de liquide au compresseur.

4 – Installation

- L'installation dans laquelle le groupe de condensation est installé doit être conforme à la directive EEC relative aux systèmes sous pression n° 97/23/CE (PED). Le groupe de condensation en lui-même ne constitue pas un « groupe » au sens de cette directive.
- Il est recommandé d'installer le groupe sur des silent blocs ou des amortisseurs de vibrations (non fournis).
- Il est possible de superposer les groupes les uns sur les autres.

Groupe	Superposition maximum
Logement 1 (Code n° 114X31-- ou 114X41--)	3
Logement 2 (Code n° 114X32-- ou 114X42--)	2
Logement 3 (Code n° 114X33-- ou 114X43--)	2
Logement 4 (Code n° 114X34-- ou 114X44--)	2

- En cas de montage superposé, le groupe situé au sommet doit être fixé au mur, tel indiqué à l'illustration 2.
- Libérez lentement l'azote sous charge d'attente, par l'orifice schrader.
- Raccordez le groupe au système dès que possible pour éviter toute contamination de l'huile par l'humidité ambiante.
- Évitez toute entrée de matériau dans le système lors de la coupe des tubes. Ne percez jamais d'orifices à des emplacements où les ébarbures ne peuvent être éliminées.
- Brasez très soigneusement, en utilisant les techniques les plus récentes et pointues, et dégazez les tuyauteries au moyen d'un flux d'azote gazeux.
- Connectez les dispositifs de sécurité et de contrôle requis. En cas d'utilisation de l'orifice schrader à cet effet, retirez la valve interne.
- Il est recommandé d'isoler le tube d'aspiration jusqu'à l'entrée du compresseur avec une isolation de 19 mm d'épaisseur.

5 – Détection de fuites

⚠ N'utilisez jamais d'oxygène ou d'air sec pour mettre le circuit sous pression. Vous pourriez causer un incendie ou une explosion.

- N'utilisez pas de traceur pour la détection de fuites.
- Effectuez un test de détection de fuites sur le système complet.
- La pression de test maximum est de 31*) bar.
- Si vous détectez une fuite, réparez-la et répétez la détection de fuites.

*) 25 bar pour les modèles OP-..... AJ..... & OP-..... FH....

6 – Déshydratation sous vide

- N'utilisez jamais le compresseur pour faire le vide dans le système.
- Raccordez une pompe à vide aux côtés BP et HP.
- Faites le vide dans le système, à une pression absolue de 500 µm Hg (0,67 mbar).
- N'utilisez pas de mégohmmètre et ne mettez pas le compresseur sous tension lorsqu'il se trouve sous vide, car cela peut entraîner des dommages internes.

7 – Raccordements électriques

- Coupez et isolez l'alimentation électrique secteur.
- Assurez-vous qu'il est impossible de mettre l'alimentation sous tension lors de l'installation.
- Tous les composants électriques doivent être sélectionnés conformément aux normes locales et aux exigences du groupe.
- Référez-vous au schéma de raccordement électrique pour plus de détails.
- Assurez-vous que l'alimentation électrique correspond aux caractéristiques du groupe et qu'elle est stable (tension nominale ± 10 % et fréquence nominale ± 2,5 Hz)
- Dimensionnez les câbles de l'alimentation conformément aux données du groupe relatives à la tension et au courant.
- Protégez l'alimentation et assurez-vous de sa bonne mise à la terre.
- Assurez-vous que l'alimentation est conforme aux normes locales et aux exigences légales.
- Le groupe est équipé d'un régulateur électronique. Référez-vous au manuel RS8GDxxx pour plus de détails.
- Le groupe est équipé d'un sectionneur principal avec protection contre les surcharges. La protection contre les surcharges est pré-réglée en usine. Il est toutefois recommandé de vérifier la valeur avant de mettre le groupe en marche. La valeur de la protection contre les surcharges peut être trouvée à l'aide du schéma de raccordement situé sur la porte avant du groupe.
- Le groupe est équipé de pressostats HP/BP, qui coupent directement l'alimentation du compresseur en cas d'activation. Les paramètres relatifs aux coupures découlant d'une pression trop élevée ou trop basse sont pré-réglés dans le régulateur et adaptés au compresseur installé dans le groupe.

Pour les groupes équipés d'un compresseur scroll triphasé (OP-MPXMxxxxxxxE), il est impératif de respecter l'ordre des phases adéquat pour le sens de rotation du compresseur.

- Déterminez l'ordre des phases à l'aide d'un phasemètre, afin d'établir l'ordre des phases des lignes L1, L2 et L3.
- Raccordez les phases des lignes L1, L2 et L3 aux bornes de l'interrupteur principal T1, T2 et T3 respectivement.

8 – Charge du système

- Ne démarrez jamais le compresseur lorsqu'il se trouve sous vide. Maintenez le compresseur hors tension.
- Utilisez uniquement un réfrigérant pour lequel le groupe est conçu.
- Chargez le réfrigérant en phase liquide dans le condenseur ou le réservoir de liquide. Laissez le système se charger lentement jusqu'à 4 à 5 bars pour le réfrigérant R404A/ R448A/R449A/ R407A/R407F/R452A et jusqu'à environ 2 bars pour le réfrigérant R134a, R513A.
- La charge restante est effectuée une fois que

Instructions

l'installation a atteint des conditions de fonctionnement nominales stables.

- Ne laissez jamais le cylindre de remplissage connecté au circuit.

9 – Réglage du contrôleur électronique

- Le groupe est équipé d'un contrôleur électronique programmé en usine contenant des paramètres destinés à être utilisés avec le groupe. Référez-vous au manuel RS8GDXXX pour plus de détails.
- Par défaut, l'affichage du contrôleur électronique affiche la valeur de la température pour la pression d'aspiration, exprimée en degrés Celsius. Pour afficher la valeur de la température pour la pression de condensation, appuyez sur le bouton inférieur (illustration 3).

Den elektroniske regulator er fabriksindstillet til R404A, R449A, R452A eller R134a, afhængigt af den monterede kompressormodel og applikation (se bilag i installationsmanualen til Optyma-regulatoren). Si un réfrigérant différent est utilisé, le réglage du réfrigérant doit être modifié en conséquence. Le paramètre r12 doit être, au préalable, réglé sur 0 (interrupteur principale du logiciel = off).

- Appuyez sur le bouton supérieur pendant quelques secondes. La colonne contenant les paramètres s'affiche.
- Utilisez les boutons supérieur et inférieur pour trouver le paramètre o30.
- Appuyez sur le bouton du milieu jusqu'à ce que la valeur de ce paramètre s'affiche.
- Utilisez les boutons supérieur et inférieur pour définir la nouvelle valeur : 2 = R22, 3 = R134a, 13 = R513A, 17 = R507, 19 = R404A, 20 = R407C, 21 = R407A, 37 = R407F, 40 = R448A, 41 = R449A, 42 = R452A.
- Appuyez sur le bouton du milieu pour confirmer la valeur sélectionnée.

10 – Vérification avant mise en service

⚠ Utilisez des dispositifs tels que des pressostats de sécurité et des soupapes de sécurité mécaniques, conformément aux normes de sécurité et aux réglementations générales et locales applicables. Veillez au bon fonctionnement et au réglage correct de ces dispositifs.

⚠ Vérifiez que les réglages des pressostats haute pression et des soupapes de sécurité ne dépassent pas la pression de service maximale de chaque composant du système.

- Vérifiez que tous les raccordements électriques sont bien serrés et respectent les réglementations locales.
- Lorsqu'il est nécessaire d'utiliser une résistance de carter, le groupe doit être mis sous tension au moins 12 heures avant le premier démarrage mais également avant un démarrage après une mise à l'arrêt prolongée, s'il s'agit d'une résistance de carter de type ceinture.
- Le groupe est équipé d'un sectionneur principal avec protection contre les surcharges. La protection contre les surcharges est pré-réglée en usine. Il est toutefois recommandé de vérifier la valeur avant de mettre le groupe en marche. La valeur de la protection contre les surcharges peut être trouvée à l'aide du schéma de raccordement situé sur la porte avant du groupe.

11 – Démarrage

- Ne démarrez jamais le groupe si le réfrigérant n'est pas chargé.

- Toutes les vannes de service doivent être ouvertes.
- La vanne Rotalock du réservoir doit être tournée d'un tour dans le sens de la fermeture pour obtenir la pression de condensation adéquate pour le transmetteur de pression.
- Assurez-vous que l'alimentation est compatible avec le groupe.
- Assurez-vous que la résistance de carter fonctionne.
- Assurez-vous que le ventilateur tourne librement.
- Assurez-vous que la couche protectrice a été retirée de l'arrière du condenseur.
- Équilibrez les pressions HP/BP.
- Alimenter le groupe. Celui-ci doit démarrer rapidement. S'il ne démarre pas, vérifiez la conformité des câblages et de la tension aux bornes.
- Il est possible de déterminer si le sens de rotation d'un compresseur Scroll est inversé. Si c'est le cas, les phénomènes suivants sont observés : la pression du compresseur n'augmente pas, le compresseur génère un niveau de bruit anormalement élevé et sa consommation électrique est anormalement basse. Dans ce cas, arrêtez immédiatement le groupe et raccordez les phases aux bornes appropriées.
- Si le sens de rotation est correct, l'indicateur de pression basse du contrôleur (ou manomètre de pression basse) doit indiquer une baisse de la pression et l'indicateur de pression haute (ou manomètre de pression haute) doit indiquer une augmentation de la pression.

12 – Vérifications en cours de fonctionnement

- Vérifier le sens de rotation du ventilateur. L'air doit circuler depuis le condenseur vers le ventilateur.
- Vérifiez l'appel de courant et la tension.
- Vérifiez la surchauffe de l'aspiration pour réduire le risque de coups de liquide.
- Si un voyant de niveau d'huile est présent, vérifiez le niveau d'huile au démarrage et pendant le fonctionnement afin vous assurer que le niveau d'huile reste bien visible.
- Respectez les limites de fonctionnement.
- Vérifiez l'absence de vibrations anormales au niveau de tous les tubes. En cas de mouvements dépassant 1,5 mm, vous devez prendre des mesures correctives telles que l'installation de supports de tubes.
- Si nécessaire, vous pouvez ajouter du réfrigérant supplémentaire en phase liquide, côté basse pression, aussi loin que possible du compresseur. Le compresseur doit fonctionner pendant cette opération.
- Ne surchargez pas le système.
- Se conformer aux règlements locaux pour la restauration du réfrigérant de l'unité.
- Ne libérez jamais de réfrigérant dans l'atmosphère.
- Avant de quitter le site d'installation, effectuez une inspection générale de l'installation en termes de propreté, de niveau sonore et de détection des fuites.
- Notez le type et la quantité de charge de réfrigérant, ainsi que les conditions de fonctionnement, comme référence pour les inspections ultérieures.

13 – Fonctionnement sans contrôleur

En cas de défaillance du contrôleur, le groupe de condensation peut continuer à fonctionner en modifiant le câblage normal du contrôleur (illustration 4) en câblage temporaire (illustra-

tion 5) selon la procédure ci-dessous.

⚠ Cette modification ne peut être effectuée que par un électricien autorisé. Cette opération doit être effectuée dans le respect de la réglementation locale en vigueur.

- ⚠ Déconnectez l'alimentation du groupe de condensation (coupez le sectionneur principal).
- Le contact du thermostat d'ambiance doit pouvoir basculer en mode 250 Vca.
- Retirez le fil 22 (entrée de sécurité DI3) et le fil 24 (thermostat d'ambiance DI1) et raccordez-les à l'aide d'un raccord de borne isolé de 10 mm² pour 250 Vca.
- Retirez le fil 25 (thermostat d'ambiance DI1), et le fil 11 (alimentation du compresseur) et raccordez-les à l'aide d'un raccord de borne isolé de 10 mm² pour 250 Vca.
- Retirez le fil 6 et raccordez-le à l'aide d'un raccord de borne pour fils 11 et 25. Il est possible de raccorder en série un pressostat ou un régulateur de vitesse pour le ventilateur sur le fil 6.
- Retirez le fil 14 (résistance de carter) et raccordez-le à la borne 22 du contacteur du compresseur.
- Retirez le fil 12 (alimentation de la résistance de carter), allongez ce fil à l'aide d'un raccord de borne isolé de 10 mm² pour 250 Vca et d'un fil marron, puis connectez-le à la borne 21 du contacteur du compresseur.
- Retirez le grand bornier qui se trouve sur les bornes 10 à 19 du contrôleur.
- Connectez le groupe de condensation à l'alimentation (allumez l'interrupteur matériel principal).

14 – Maintenance

⚠ Toujours arrêter le groupe à l'aide de l'interrupteur principal avant d'ouvrir la porte du ventilateur.

⚠ La pression interne et la température en surface sont dangereuses et peuvent causer des blessures irréversibles. Les opérateurs de maintenance et les installateurs doivent posséder les compétences et les outils appropriés. La température de la tuyauterie peut dépasser 100 °C et causer des brûlures graves.

⚠ Veillez à effectuer les inspections de service périodiques, tant pour assurer la fiabilité du système que pour respecter les réglementations locales.

Pour éviter tout problème lié au système, la maintenance périodique suivante est recommandée :

- Vérifiez que les dispositifs de sécurité fonctionnent et sont bien réglés.
- Vérifiez que le système ne présente aucune fuite.
- Vérifiez l'appel de courant du compresseur.
- Confirmez que le système fonctionne conformément aux archives de maintenance antérieure et aux conditions ambiantes.
- Vérifiez que tous les raccordements électriques restent bien serrés.
- Préservez la propreté du groupe et vérifiez l'absence de rouille et d'oxydation sur les composants du groupe, les tubes et les raccordements électriques.

Le condenseur doit faire l'objet d'au moins une vérification de l'encrassement par an et doit être nettoyé si cela s'avère nécessaire. L'accès à la face interne du condenseur se fait par la porte du ventilateur. La poussière a tendance à se déposer

Instructions

à la surface et non à l'intérieur des échangeurs à microcanaux, ce qui rend ces derniers plus faciles à nettoyer que les échangeurs à tubes ailettes.

- Éteignez le groupe à l'aide de l'interrupteur principal avant d'ouvrir la porte du ventilateur.
- Retirez la poussière, les feuilles, les fibres, etc. qui se trouvent à surface à l'aide d'un aspirateur équipé d'une brosse ou de tout autre embout souple. Vous pouvez également souffler de l'air comprimé depuis l'intérieur de l'échangeur et évacuer la saleté à l'aide d'une brosse à poils souples. N'utilisez pas de brosse métallique. Veillez à ne pas endommager ou rayer l'échangeur avec le tube de l'aspirateur ou l'embout du compresseur à air.
- Avant de refermer la porte du ventilateur, placez les hélices du ventilateur dans la position indiquée à l'illustration 6 afin d'éviter tout contact entre la porte et le ventilateur.

Si le système de réfrigération a été ouvert, il doit être nettoyé à l'azote sec afin d'éliminer toute trace d'humidité. En outre, un nouveau filtre déshydrateur doit être installé. S'il s'avère nécessaire d'évacuer le réfrigérant, il ne doit en aucun cas être libéré dans l'environnement.

15 – Déclaration de conformité

• **Directive relative aux équipements sous pression 2014/68/UE EN 378-2:2016** - Systèmes de réfrigération et pompes à chaleur - Exigences de sécurité et environnementales-

Partie 2 : conception, construction, test, marquage et documentation

Directive basse tension 2014/35/UE EN 60335-1:2012 + A11:2014 - Appareils électrodomestiques et analogues - Sécurité - Partie 1 : Exigences générales - pour tous les groupes de condensation mentionnés ci-dessus

DIRECTIVE écoconception 2009/125/CE établissant un cadre d'exigences en matière d'écoconception applicables aux produits liés à l'énergie.

RÈGLEMENT (UE) 2015/1095 portant application de la directive écoconception 2009/125/CE en ce qui concerne les exigences d'écoconception applicables aux armoires frigorifiques professionnelles, aux cellules de refroidissement et de congélation rapides, aux groupes de condensation et aux refroidisseurs industriels.

• Les mesures des groupes de condensation sont effectuées conformément à la norme « EN 13771-2:2007 » – Compresseurs et unités de condensation pour la réfrigération - Tests de performances et méthodes d'essai - Partie 2 : Groupes de condensation

16 - Garantie

En cas de réclamation relative au produit, signalez toujours le numéro de modèle et le numéro de série.

La garantie du produit peut être nulle dans les cas suivants :

- Absence de plaque signalétique.
- Modifications externes, en particulier perçage, soudage, impacts et pieds endommagés.
- Compresseur ouvert ou retourné non scellé.
- Présence de rouille, d'eau ou de traceur de détection de fuites à l'intérieur du compresseur.
- Utilisation d'un réfrigérant ou d'un lubrifiant non approuvé par Danfoss.
- Tout non-respect des instructions recommandées relatives à l'installation, l'utilisation ou la maintenance.
- Utilisation mobile.
- Utilisation sous atmosphère explosive.
- Numéro de modèle ou de série non fourni avec la demande en garantie.

17 – Mise au rebut



Danfoss recommande que les groupes de condensation et leur huile soient recyclés par une société appropriée, sur le site de celle-ci.

Instrucciones

Optyma™ Plus

OP-LPQM, OP-MPYM, OP-MPXM,
OP-MPGM, OP-MPBM

Placa de identificación

A	OP-MPXM034MLP00G	 MADE IN INDIA
B	114X4261	
C	Application MBP	IP 54
D	Refrigerant (1) R404A R507 R448A/R449A R407A/R407F/R452A	(2) R134a R513A
E	M.W.P. HP (1) 28 bar (1) 7 bar	(2) 23 bar (2) 5 bar
F	Voltage 230 V ~ 1N ~ 50Hz	MCC 19 A
	LRA 60 A	
	OIL INSIDE POE 46	
G	Serial No. 123456CG2816	
	EAN No. xxxxxxxxxxxxxxxx	

Danfoss A/S, 6430 Nordborg, Denmark

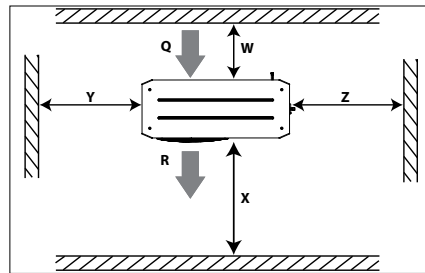


Ilustración 1: Distancias mínimas de montaje

Q: Entrada de aire **R:** Salida de aire

Unidad	W [mm]	X [mm]	Y [mm]	Z [mm]
Carcasa 1 (N.º de código 114X31--o 114X41--)	250	550	456	456
Carcasa 2 (N.º de código 114X32--o 114X42--)	250	650	530	530
Carcasa 3 (N.º de código 114X33--o 114X43--)	250	760	581	581
Carcasa 4 (N.º de código 114X34--o 114X44--)	250	900	700	700



⚠ El uso de esta unidad condensadora sólo debe llevarse a cabo con los fines para los que ha sido diseñada y dentro de su campo de aplicación.

⚠ En cualquier circunstancia, han de cumplirse los requisitos establecidos por la norma EN 378 (o cualquier otra legislación local vigente en materia de seguridad).

Esta unidad condensadora se suministra con gas nitrógeno a presión (1 bar) y, por lo tanto, no puede conectarse tal cual; consulte la sección "Instalación" si desea obtener más información.

Manipule esta unidad condensadora con precaución, manteniéndola en posición vertical (desviación máxima respecto a la vertical: 15°).

⚠ **La instalación y el mantenimiento de una unidad condensadora deben ser llevados a cabo exclusivamente por personal cualificado. Siga estas instrucciones y las prácticas recomendadas en materia de ingeniería de refrigeración durante las actividades de instalación, puesta en servicio, mantenimiento y servicio técnico.**

- A:** Modelo
- B:** Código
- C:** Aplicación e índice de protección.
- D:** Refrigerante
- E:** Presión de servicio de la carcasa
- F:** Tensión de alimentación, amperaje a rotor bloqueado y consumo máximo de corriente
- G:** Número de serie y código de barras

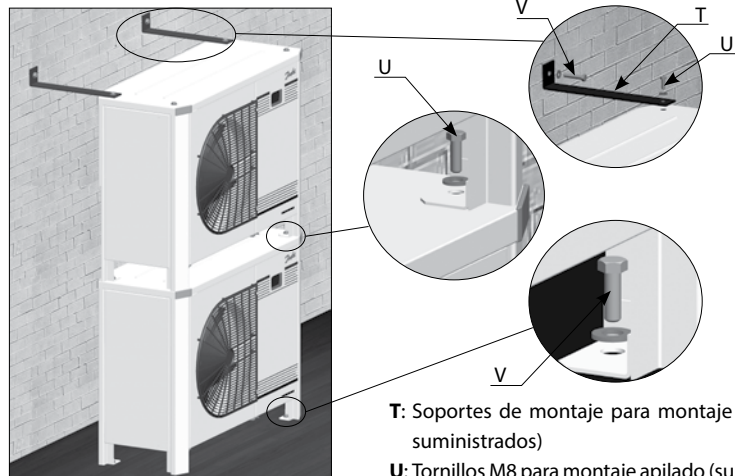


Ilustración 2: Montaje apilado

- T:** Soportes de montaje para montaje apilado (no suministrados)
- U:** Tornillos M8 para montaje apilado (suministrados)
- V:** Tornillos de montaje (no suministrados)

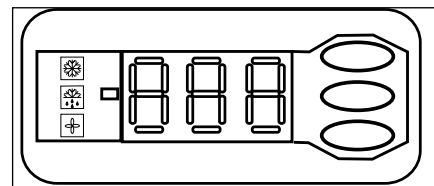


Ilustración 3: Pantalla del controlador electrónico

- Compresor en funcionamiento
- Resistencia del cárter activada
- Ventilador en funcionamiento
- Temperatura a la presión de aspiración.
- Pulse el botón inferior para consultar la temperatura a la presión de condensación.



Ilustración 4: Cableado normal

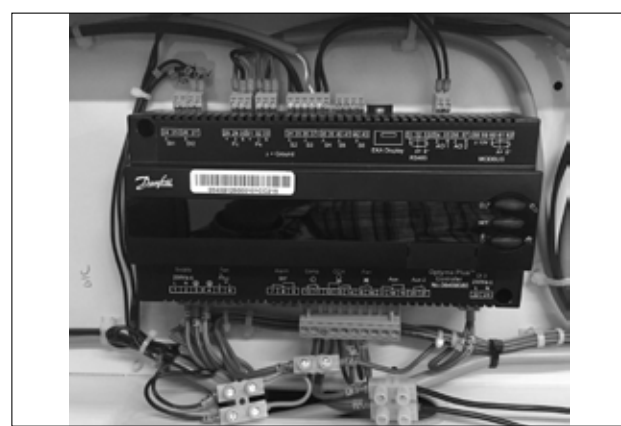


Ilustración 5: Cableado temporal

Instrucciones

1 – Introducción

Estas instrucciones son válidas para las unidades condensadoras Optyma™ PlusOP-LPHM, OP-MPYM, OP-MPXM, OP-MPGM, OP-MPQM, OP-LPQM y OP-MPBM utilizadas como parte de un sistema de refrigeración. En ellas encontrará información necesaria acerca de la seguridad y el uso correcto de este producto.

La unidad condensadora incluye los siguientes componentes:

- Intercambiador de calor de microcanales
- Compresor alternativo o *scroll*
- Recipiente con válvula de cierre
- Válvulas de bola
- Visor de líquido
- Presostatos de alta y baja presión
- Filtro secador reemplazable
- Controlador electrónico
- Disyuntor principal (interruptor principal con protección contra sobrecarga)
- Condensadores de ventilador y compresor
- Contactor de compresor
- Carcasa robusta con protección a la intemperie

2 – Manipulación y almacenamiento

- No se recomienda abrir el embalaje hasta que la unidad se encuentre en el lugar destinado a su instalación.
- Manipule la unidad con cuidado. El embalaje se puede transportar por medio de una carretilla elevadora o un transpalet. Emplee un equipo de elevación seguro y adecuado.
- Almacene y transporte la unidad en posición vertical.
- Almacene la unidad a temperaturas comprendidas entre -35 °C y 50 °C.
- No exponga el embalaje a la lluvia o a atmósferas de carácter corrosivo.
- Una vez desembalada la unidad, compruebe que se encuentre completa y que no haya sufrido daños.

3 – Precauciones relativas a la instalación

⚠ La unidad no debe permanecer en una atmósfera de carácter inflamable.

⚠ Coloque la unidad de tal modo que no obstruya ni obstaculice áreas de paso, puertas, ventanas u otros elementos similares.

- La unidad debe contar con espacio suficiente a su alrededor para la circulación de aire y la apertura de las compuertas. Consulte la ilustración 1 si desea conocer las distancias mínimas que deben existir entre los laterales de la unidad y las paredes.
- No instale la unidad en lugares en los que pueda sufrir la exposición diaria a la luz solar directa durante periodos de tiempo prolongados.
- No instale la unidad en lugares que presenten ambientes agresivos o con polvo.
- Garantice la existencia de un cimientado con superficie horizontal (y pendiente inferior a 3°), lo suficientemente robusto y estable como para soportar el peso de la unidad completa y amortiguar las vibraciones e interferencias.
- La temperatura ambiente de la unidad no debe superar los 50 °C durante el ciclo de apagado.
- Compruebe que la fuente de alimentación satisfaga los requisitos de la unidad (consulte la placa de características).

- Durante la instalación de unidades aptas para el uso de refrigerantes HFC, emplee un equipo diseñado específicamente para refrigerantes HFC que no haya mantenido contacto con refrigerantes CFC o HCFC.
- Use material de soldadura limpio y deshidratado para aleaciones de plata y tubos de cobre para refrigeración.
- Use componentes de sistema limpios y deshidratados.
- Los conductos de aspiración conectados al compresor deben ser flexibles en las 3 dimensiones para amortiguar las vibraciones. Asimismo, la conexión de los conductos debe llevarse a cabo de tal modo que se garantice el retorno de aceite al compresor y se elimine el riesgo de golpes de líquido en dicho componente.

4 – Instalación

- La instalación de la que forme parte la unidad condensadora debe satisfacer los requisitos establecidos por la Directiva 97/23/CE de equipos a presión (DEP) de la CEE. En el ámbito de dicha directiva, la unidad condensadora no es, en sí, una "unidad".
- Se recomienda instalar la unidad sobre arandelas de goma o amortiguadores de vibraciones (no suministrados).
- Las unidades se pueden apilar unas sobre otras.

Unidad	Apilamiento máximo
Carcasa 1 (N.º de código 114X31-- o 114X41--)	3
Carcasa 2 (N.º de código 114X32-- o 114X42--)	2
Carcasa 3 (N.º de código 114X33-- o 114X43--)	2
Carcasa 4 (N.º de código 114X34-- o 114X44--)	2

- En una pila de unidades, aquella situada más arriba debe fijarse a la pared, tal y como muestra la ilustración 2.
- Libere paulatinamente la carga de nitrógeno a través del puerto Schraeder.
- Conecte la unidad al sistema lo antes posible para evitar que el aceite sufra contaminación como resultado de la humedad ambiental.
- Evite que penetren materiales extraños en el sistema durante el corte de los tubos. No practique orificios en lugares en los que no sea posible eliminar las rebabas.
- Lleve a cabo las soldaduras con cuidado, empleando técnicas modernas; purgue los conductos haciendo circular gas nitrógeno.
- Conecte los dispositivos de seguridad y control necesarios. Retire la válvula interna cuando use el puerto Schraeder a este efecto.
- Se recomienda aislar el conducto de aspiración hasta la entrada del compresor empleando aislante de 19 mm de grosor.

5 – Detección de fugas

⚠ No presurice el circuito con oxígeno o aire seco. Ello podría originar un incendio o una explosión.

- No use tintes para la detección de fugas.
- Lleve a cabo una prueba de detección de fugas en todo el sistema.
- La presión máxima de prueba es de 31^{*} bar.
- Si detecta una fuga, repárela y lleve a cabo una

nueva prueba de detección de fugas.

* 25 bar para modelos OP-.....AJ.... y OP-.....FH....

6 – Deshidratación por vacío

- No use el compresor para vaciar el sistema.
- Conecte una bomba de vacío a los lados LP y HP.
- Vacíe el sistema a una presión absoluta de 500 µm Hg (0,67 mbar).
- No use un ohmímetro ni conecte la alimentación al compresor mientras este se encuentre sometido a vacío; podría causar daños internos.

7 – Conexiones eléctricas

- Apague el sistema y aisle la fuente de alimentación principal.
- Asegúrese de que no sea posible encender la fuente de alimentación durante la instalación.
- La elección de los componentes eléctricos debe llevarse a cabo de acuerdo con las normas locales y los requisitos de la unidad.
- Consulte el esquema eléctrico si desea obtener información detallada acerca de las conexiones eléctricas.
- Asegúrese de que la fuente de alimentación responda a las características de la unidad y sea estable (tensión nominal ±10 % y frecuencia nominal ±2,5 Hz).
- Las dimensiones de los cables de la fuente de alimentación deben satisfacer los requisitos de la unidad en cuanto a tensión y corriente.
- Proteja la fuente de alimentación y garantice su correcta conexión a tierra.
- La fuente de alimentación debe cumplir las normas locales y los requisitos legales establecidos.
- La unidad está equipada con un controlador electrónico. Consulte el manual RS8GDxxx si desea obtener más información.
- La unidad está equipada con un interruptor principal con protección contra sobrecarga. La función de protección contra sobrecarga posee una configuración predeterminada de fábrica; no obstante, se recomienda comprobar el valor asignado antes de poner en marcha la unidad. El valor asignado a la función de protección contra sobrecarga se encuentra en el esquema eléctrico situado en la compuerta delantera de la unidad.
- La unidad está equipada con presostatos de alta y baja presión que interrumpen directamente el suministro eléctrico del compresor al activarse. Las presiones de interrupción alta y baja se establecen en el controlador de acuerdo con el compresor instalado en la unidad.

En unidades con compresor *scroll* trifásico (OP-MPXMxxxxxxxE), debe prestarse especial atención a la secuencia de fases con objeto de garantizar que la dirección de rotación sea correcta.

- Determine la secuencia de fases empleando un medidor de fase para establecer el orden de las fases de línea L1, L2 y L3.
- Conecte las fases de línea L1, L2 y L3 a los terminales del interruptor principal T1, T2 y T3, respectivamente.

8 – Carga del sistema

- No ponga en marcha el compresor en vacío. Mantenga el compresor apagado.
- Use sólo el refrigerante para el que ha sido diseñada la unidad.
- Cargue el condensador o el recipiente de líquido

Instrucciones

do con refrigerante líquido. Cargue el sistema paulatinamente hasta alcanzar una presión de 4 – 5 bar (para el refrigerante R404A/R448A/R449A/R407A/R407F/R452A) o 2 bar (para el refrigerante R134a, R513A).

- El resto de la carga deberá llevarse a cabo una vez que la instalación haya alcanzado sus niveles nominales y los mantenga con estabilidad durante el funcionamiento.
- No deje la botella de carga conectada al circuito.

9 – Configuración del controlador electrónico

- La unidad está equipada con un controlador electrónico programado de fábrica con parámetros aptos para el uso con la unidad real. Consulte el Manual RS8GDXXX si desea obtener más información.
- De forma predeterminada, el controlador electrónico muestra la temperatura a la presión de aspiración en °C. Pulse el botón inferior para que se muestre la temperatura a la presión de condensación (ilustración 3).

El controlador electrónico viene predeterminado de fábrica para el R404A, R449A, R452A o R134a según el modelo de compresor instalado y la aplicación (consulte el anexo del manual de instalación del controlador Optyma). Cambie la configuración del refrigerante si el refrigerante en uso no coincide con el indicado. El parámetro r12 debe establecerse antes a 0 (interruptor principal software: apagado).

- Mantenga pulsado el botón superior durante un par de segundos. Aparecerá una columna con códigos de parámetros.
- Pulse los botones superior e inferior para buscar el código de parámetro o30.
- Mantenga pulsado el botón central hasta que se muestre el valor de dicho parámetro.
- Pulse los botones superior e inferior para seleccionar un valor nuevo: 2 = R-22, 3 = R-134a, 13 = R513A, 17 = R-507, 19 = R-404A y 20 = R-407C, 21 = R407A, 37 = R407F, 40 = R448A, 41 = R449A, 42 = R452A.
- Pulse el botón central para confirmar el valor seleccionado.

10 – Verificación previa a la puesta en servicio

▲ Emplee dispositivos de seguridad (como el presostato de seguridad o la válvula mecánica de alivio) que satisfagan los requisitos de las normas de ámbito general y local vigentes, así como las normas de seguridad aplicables. Asegúrese de que los dispositivos funcionen y su ajuste sea correcto.

▲ Compruebe que los niveles de los presostatos de alta presión y las válvulas de alivio no superen la presión de servicio máxima de los componentes del sistema.

- Compruebe que todas las conexiones eléctricas se encuentren bien fijadas y cumplan la legislación local.
- Si es preciso el uso de una resistencia de cárter, el equipo deberá mantenerse conectado a la red eléctrica durante, al menos, 12 horas antes de la puesta en marcha inicial o si la puesta en marcha tiene lugar tras un período de inactividad prolongado en el caso de las resistencias de cárter de tipo cinturón.
- La unidad está equipada con un interruptor principal con protección contra sobrecarga. La

función de protección contra sobrecarga posee una configuración predeterminada de fábrica; no obstante, se recomienda comprobar el valor asignado antes de poner en marcha la unidad. El valor asignado a la función de protección contra sobrecarga se encuentra en el esquema eléctrico situado en la compuerta delantera de la unidad.

11 – Puesta en marcha

- No ponga en marcha la unidad sin haber cargado antes el refrigerante.
- Todas las válvulas de servicio deben estar en posición de apertura.
- La válvula Rotalock del recipiente debe girarse 1 vuelta en el sentido de cierre para conseguir la presión de condensación adecuada para el transmisor de presión.
- Compruebe que la fuente de alimentación satisfaga las características de la unidad.
- Compruebe que la resistencia del cárter funcione.
- Compruebe que el ventilador pueda girar libremente.
- Compruebe que la lámina protectora haya sido retirada de la cara posterior del condensador.
- Equilibre las presiones de los lados HP y LP.
- Ponga en marcha la unidad. Debe arrancar de inmediato. Si el compresor no arranca, compruebe el estado de los cables y la tensión en los terminales.
- La rotación inversa de un compresor trifásico se puede detectar a partir de los siguientes fenómenos: el compresor no acumula presión, el sistema genera un nivel de ruido anormalmente elevado y el consumo energético resulta anormalmente reducido. Si se enfrenta a una situación como la anterior, apague la unidad inmediatamente y conecte las fases a los terminales que correspondan.
- Si la dirección de rotación es correcta, el indicador de baja presión del controlador (o el manómetro de baja presión) mostrará un nivel de presión en descenso y el indicador de alta presión (o el manómetro de alta presión) mostrará un nivel de presión en aumento.

12 – Comprobaciones con la unidad en funcionamiento

- Compruebe la dirección de rotación del ventilador. El aire debe fluir desde el condensador hacia el ventilador.
- Compruebe el consumo de corriente y la tensión.
- Compruebe el recalentamiento en el lado de aspiración para reducir el riesgo de generación de golpes de líquido.
- Si el sistema cuenta con un visor de líquido, observe el nivel de aceite en el momento del arranque y durante el funcionamiento para confirmar que sea posible consultarlo en todo momento.
- Respete los límites de funcionamiento.
- Compruebe si los tubos sufren alguna vibración anormal. Los movimientos superiores a 1,5 mm exigirán la implantación de medidas correctoras (como la instalación de abrazaderas).
- Si es necesario, es posible agregar refrigerante líquido a través del lado de baja presión (tan lejos del compresor como sea posible). El compresor debe permanecer en funcionamiento durante este proceso.
- No sobrecargue el sistema.
- Siga las normativas locales para restaurar el

refrigerante de la unidad.

- No libere refrigerante a la atmósfera.
- Antes de abandonar el lugar de instalación, lleve a cabo una inspección general de la misma en cuanto a limpieza, ruido y detección de fugas.
- Anote el tipo y la cantidad de refrigerante cargado, así como las condiciones de funcionamiento, como referencia para la ejecución de futuras inspecciones.

13 – Funcionamiento de emergencia sin controlador

Si el controlador se avería, aún será posible poner en marcha la unidad condensadora modificando el cableado estándar del controlador (ilustración 4) y aplicando el cableado temporal (ilustración 5) descrito a continuación.

▲ Esta modificación sólo debe ser llevada a cabo por un electricista autorizado. Debe respetarse la legislación nacional a este respecto.

▲ Desconecte la unidad condensadora de la fuente de alimentación (apague el interruptor principal del equipo).

- Debe ser posible establecer contacto con el termostato ambiente para suministrar 250 VAC.
- Desconecte el cable 22 (entrada de seguridad D13) y el cable 24 (termostato ambiente D11), y únalos empleando un puente terminal aislado de 10 mm² y 250 VAC.
- Desconecte el cable 25 (termostato ambiente D11) y el cable 11 (alimentación del compresor) y únalos empleando un puente terminal aislado de 10 mm² y 250 VAC.
- Desconecte el cable 6 y conéctelo a los cables 11 y 25 empleando un puente terminal. Es posible conectar un presostato de ventilador o un controlador de velocidad de ventilador en serie con el cable 6.
- Desconecte el cable 14 (resistencia del cárter) y conéctelo al terminal 22 del contactor del compresor.
- Desconecte el cable 12 (alimentación de la resistencia del cárter), prolonguelo empleando un puente terminal de 10 mm² y 250 VAC y cable marrón de 1,0 mm², y conéctelo al terminal 21 del contactor del compresor.
- Desconecte de la regleta grande los terminales 10 a 19 del controlador.
- Conecte la unidad condensadora a la fuente de alimentación (encienda el interruptor principal del equipo).

14 – Mantenimiento

▲ Apague siempre el interruptor principal de la unidad antes de abrir las compuertas del ventilador.

▲ La presión interna y la temperatura de la superficie son peligrosas y pueden ocasionar lesiones permanentes. Los operarios de mantenimiento e instaladores deben contar con las herramientas y los conocimientos adecuados. La temperatura de los tubos puede superar los 100 °C, como resultado de lo cual podrían producirse quemaduras de carácter grave.

▲ Garantice la periodicidad de las inspecciones de servicio para asegurar la fiabilidad del equipo y el cumplimiento de la legislación local.

Para evitar problemas derivados del sistema, se recomienda llevar a cabo periódicamente las siguientes tareas de mantenimiento:

- Comprobar que los dispositivos de seguridad

Instrucciones

funcionen y su ajuste sea correcto.

- Garantizar la ausencia de fugas en el sistema.
- Comprobar el consumo de corriente del compresor.
- Confirmar que el sistema funcione de modo coherente con los registros de mantenimiento anteriores y las condiciones ambientales.
- Comprobar que todas las conexiones eléctricas se encuentren correctamente fijadas.
- Mantener limpia la unidad y comprobar la ausencia de óxido y herrumbre en los componentes, los tubos y las conexiones eléctricas.

Al menos una vez al año, debe comprobarse si el condensador sufre alguna obstrucción y ejecutarse una limpieza si se considera necesario. El acceso a la cara interna del condensador se lleva a cabo a través de la compuerta del ventilador. Las bobinas de microcanales tienden a acumular más suciedad en su superficie que en su interior, lo cual las hace más fáciles de limpiar que las bobinas de tubo con aletas.

- Apague el interruptor principal de la unidad antes de abrir la compuerta del ventilador.
- Elimine la suciedad, las hojas, las fibras, etc. de la superficie empleando un aspirador equipado con un cepillo o algún otro accesorio delicado. También puede inyectar aire comprimido a través de la bobina desde dentro hacia fuera y pasar después un cepillo de cerdas suaves. No use cepillos metálicos. No golpee ni raspe la bobina con el tubo del aspirador o la boquilla de aire.
- Antes de cerrar la compuerta del ventilador,

coloque las aspas en la posición que se muestra en la ilustración 6 para evitar que la compuerta entre en contacto con el ventilador.

Si el sistema refrigerante se ha abierto, deberá lavarse empleando aire seco o nitrógeno para eliminar la unidad e instalarse en él un filtro secador nuevo. Si es necesario vaciar el refrigerante, la operación deberá llevarse a cabo de tal modo que aquel no pueda escapar a la atmósfera.

15 – Declaración de conformidad

• **Directiva de Equipos a Presión 2014/68/UE EN 378-2:2016** - Sistemas de refrigeración y bombas de calor - Requisitos de seguridad y ambientales, parte 2: Diseño, construcción, ensayos, marcado y documentación

Directiva de Baja Tensión 2014/35/UE EN 60335-1:2012 + A11:2014: Seguridad en electrodomésticos y equipos similares, parte 1: Requisitos generales para todas las unidades condensadoras mencionadas anteriormente

DIRECTIVA sobre Eco-diseño 2009/125/CE que establece un marco para determinar los requisitos de Eco-diseño para productos relacionados con la energía.

REGULACIÓN (UE) 2015/1095 que implementa la Directiva sobre Eco-diseño 2009/125/CE en relación con los requisitos de Eco-diseño para armarios profesionales de almacenamiento refrigerado, expositores de enfriamiento rápido, unidades condensadoras y enfriadores de proceso.

Las mediciones de la unidad condensadora se realizan de acuerdo con la norma «EN 13771-2:2007»: Compresores y unidades condensa-

doras para pruebas de rendimiento de refrigeración y métodos de prueba, parte 2: Unidades condensadoras

16 – Garantía

En cualquier reclamación que presente al respecto de este producto, indique siempre el número de modelo y el número de serie.

La garantía del producto puede quedar anulada por los siguientes motivos:

- Ausencia de placa de características.
- Modificaciones externas; en particular, perforaciones, soldaduras, patas rotas y marcas de impactos.
- Apertura del compresor o devolución del mismo sin los precintos correspondientes.
- Presencia de óxido, agua o tinte de detección de fugas en el interior del compresor.
- Uso de un refrigerante o lubricante no autorizado por Danfoss.
- Cualquier divergencia en relación con las instrucciones recomendadas en materia de instalación, aplicación o mantenimiento.
- Uso como parte de aplicaciones móviles.
- Uso en atmósferas explosivas.
- Omisión del número de modelo o el número de serie en la reclamación de garantía.

17 – Eliminación



Danfoss recomienda que la unidad condensadora y el aceite empleado para su funcionamiento sean reciclados por una empresa apta para ello y en sus instalaciones.

Istruzioni

Optyma™ Plus

OP-LPQM, OP-MPYM, OP-MPXM,
OP-MPGM, OP-MPBM

Targhetta

A	OP-MPXM034MLP00G	 MADE IN INDIA
B	114X4261	
C	Application MBP	IP 54
D	Refrigerant (1) R404A R507 R448A/R449A	(2) R134a
E	M.W.P. HP R407A/R407F/R452A	R513A
	M.W.P. LP (1) 7 bar	(2) 23 bar
		(2) 5 bar
F	Voltage 230 V ~ 1N ~ 50Hz	MCC 19 A
	LRA 60 A	
	OIL INSIDE POE 46	
G	Serial No. 123456CG2816	
	EAN No. xxxxxxxxxxxxxxxx	

Danfoss A/S, 6430 Nordborg, Denmark

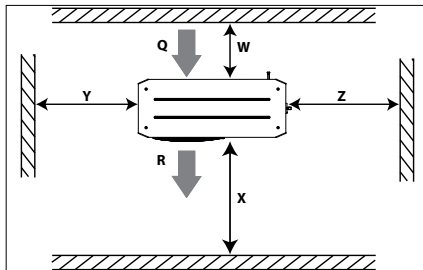


Figura 1: Distanze di montaggio minime

Q: Ingresso aria

R: Uscita aria

Unità	W [mm]	X [mm]	Y [mm]	Z [mm]
Alloggiamento 1 (Codice n° 114X31-- o 114X41--)	250	550	456	456
Alloggiamento 2 (Codice n° 114X32-- o 114X42--)	250	650	530	530
Alloggiamento 3 (Codice n° 114X33-- o 114X43--)	250	760	581	581
Alloggiamento 4 (Codice n° 114X34-- o 114X44--)	250	900	700	700



⚠ L'unità condensatrice deve essere utilizzata solo per lo scopo previsto e nel suo ambito di applicazione.

⚠ In ogni circostanza, i requisiti di EN378 (o altra normativa di sicurezza locale applicabile) devono essere rispettati.

Il compressore viene consegnato pressurizzato con azoto (1 bar) e quindi non può essere allacciato in queste condizioni; vedere la sezione «Installazione» per ulteriori dettagli.

L'unità di condensazione deve essere maneggiata con cautela in posizione verticale (massima inclinazione rispetto alla verticale: 15°)



Installazione e manutenzione dell'unità condensatrice solo da parte di personale qualificato. Attenersi a queste istruzioni e alle buone pratiche tecniche di refrigerazione relative all'installazione, la messa in servizio, la manutenzione e l'assistenza.

- A: Modello
- B: Numero di codice
- C: Applicazione, Protezione
- D: Refrigerante
- E: Pressione di esercizio alloggiamento
- F: tensione di alimentazione, ampere rotore bloccato, massimo consumo di energia
- G: Numero di serie e codice a barre

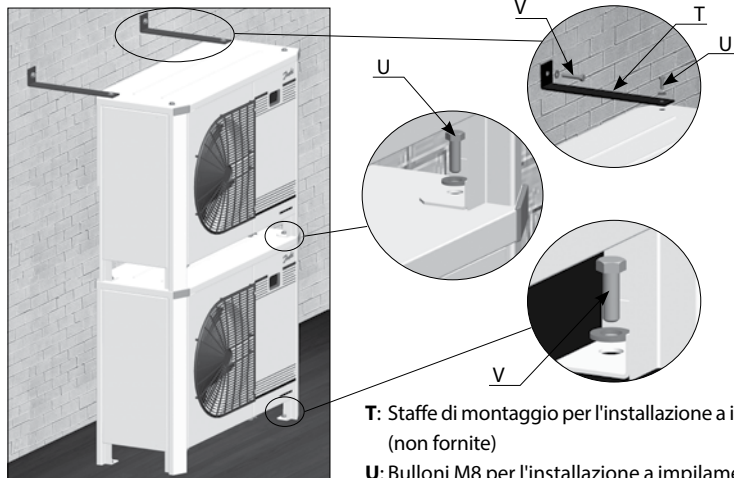


Figura 2: Installazione a impilamento

T: Staffe di montaggio per l'installazione a impilamento (non fornite)

U: Bulloni M8 per l'installazione a impilamento (forniti)

V: Bulloni di montaggio (non forniti)

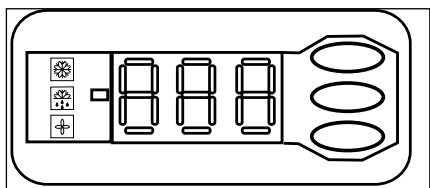


Figura 3: Display regolatore elettronico

- Compressore in funzione
- Resistenza del carter in funzione
- Ventola in funzione

0000 Valore temperatura per la pressione di aspirazione. Premere il pulsante inferiore per selezionare il valore della temperatura per la pressione di condensazione



Figura 4: Cablaggio normale

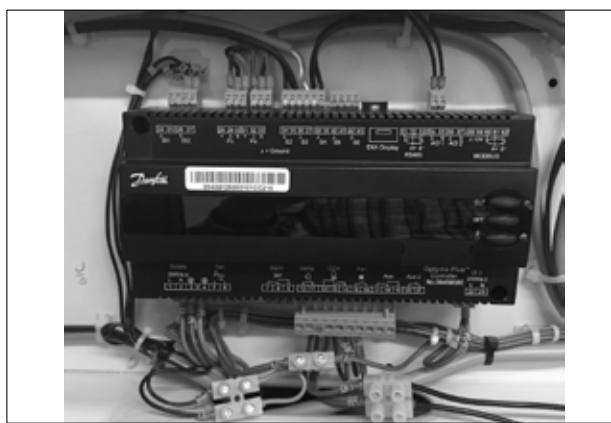


Figura 5: Cablaggio temporaneo

Istruzioni

1 – Introduzione

Queste istruzioni riguardano le unità di condensazione Optyma™ Plus OP-LPHM, OP-MPYM, OP-MPXM, OP-MPGM, OP-MPQM, OP-LPQM e OP-MPBM utilizzate negli impianti di refrigerazione. Forniscono le informazioni necessarie in materia di sicurezza e uso corretto di questo prodotto.

L'unità di condensazione include i seguenti componenti:

- Scambiatore di calore a microcanali
- Compressore ermetico a pistoni o scroll
- Ricevitore con valvola di arresto
- Valvole a sfera
- Spia di liquido
- Pressostati - alta e bassa pressione
- Sostituire filtro deidratatore
- Regolatore elettronico
- Interruttore di circuito principale (interruttore con protezione del sovraccarico)
- Consensatore per il motore della ventola e compressore
- Contattore compressore
- Robusto alloggiamento impermeabile

2 – Movimentazione e stoccaggio

- Si consiglia di non aprire l'imballaggio prima di aver trasportato l'unità sul posto d'installazione.
- Prestare particolare attenzione quando si muove l'unità. L'imballaggio consente l'utilizzo di un carrello elevatore o di un carrello trasportatore. Utilizzare apparecchiature di sollevamento adeguate e sicure.
- Magazzinare e trasportare l'unità in posizione verticale.
- Magazzinare l'unità tra -35 °C e 50 °C.
- Non esporre l'imballaggio a pioggia o ad atmosfere corrosive.
- Dopo il disimballaggio, controllare che l'unità sia completa e priva di danni.

3 – Precauzioni per l'installazione

⚠ Non usare mai l'unità in ambienti infiammabili.
 ⚠ Posizionare l'unità in modo che non blocchi o sia di intralcio in zone di transito, davanti a porte, finestre, ecc.

- Assicurarsi che intorno all'unità vi sia spazio sufficiente per la circolazione dell'aria e l'apertura di porte e finestre. Fare riferimento alla Figura 1 per i valori minimi di distanza dalle pareti.
- Evitare di installare l'unità in luoghi quotidianamente esposti alla luce solare diretta per lunghi periodi.
- Evitare di installare l'unità in ambienti aggressivi e polverosi.
- Assicurarsi che l'unità sia installata su una superficie orizzontale (inclinazione inferiore a 3°), sufficientemente solida e stabile da supportare il peso dell'intera unità, prevenendo vibrazioni e altre interferenze.
- La temperatura ambiente dell'unità non deve superare i 50 °C durante il ciclo di inattività.
- Verificare che l'alimentazione corrisponda alle caratteristiche dell'unità (vedere targhetta).
- Se si installa l'unità per l'uso con refrigeranti HFC, utilizzare attrezzature specifiche per i refrigeranti HFC, che non siano state mai utilizzate per i refrigeranti CFC o HCFC.
- Utilizzare tubazioni di rame pulite e deidratate, di qualità specifica per la refrigerazione, e ma-

teriale per la brasatura in lega d'argento.

- Utilizzare componenti di sistema puliti e deidratati.
- Le tubazioni collegate al compressore devono essere flessibili in 3 dimensioni per smorzare le vibrazioni. Il sistema delle tubazioni deve essere inoltre configurato in modo che il ritorno dell'olio per il compressore sia garantito e il rischio di formazione di morchia nel compressore sia eliminato.

4 – Installazione

- L'impianto in cui l'unità di condensazione viene installata deve essere conforme ai requisiti della direttiva sugli apparecchi a pressione EEC (PED) n. 97/23/EC. L'unità di condensazione di per sé non è considerata un'"unità" nel campo di applicazione della direttiva.
- Si consiglia di installare l'apparecchio su gommini antivibrazione o smorzatori di vibrazioni (non forniti).
- È possibile impilare le unità una sull'altra.

Unità	nr max unità impilate
Alloggiamento 1 (Codice n. 114X31-- o 114X41--)	3
Alloggiamento 2 (Codice n. 114X32-- o 114X42--)	2
Alloggiamento 3 (Codice n. 114X33-- o 114X43--)	2
Alloggiamento 4 (Codice n. 114X34-- o 114X44--)	2

- Quando si impilano le unità, quella superiore deve essere fissata a parete, come mostrato alla Figura 2.
- Rilasciare lentamente la carica di azoto attraverso la porta Schrader.
- Collegare l'unità all'impianto il più presto possibile per evitare la contaminazione dell'olio da parte dell'umidità ambientale.
- Prevenire l'ingresso di contaminanti nell'impianto quando si tagliano i tubi. Non praticare mai fori nei punti in cui le bave non possono essere rimosse.
- Brasare con grande attenzione utilizzando le migliori tecniche e sfiatare le tubazioni con il flusso d'azoto.
- Collegare tutti i dispositivi di sicurezza e controllo. Quando la porta Schrader è utilizzata a questo scopo, rimuovere la valvola interna.
- Si raccomanda di isolare il tubo di aspirazione sull'ingresso del compressore con materiale isolante di 19 mm di spessore.

5 – Rilevazione delle perdite

⚠ Non pressurizzare mai il circuito con ossigeno o aria secca. Ciò potrebbe causare incendi o esplosioni.

- Non utilizzare coloranti per il rilevamento delle perdite.
- Eseguire un test di tenuta su tutto l'impianto.
- Pressione di test massima: 31* bar.
- Se si rileva una perdita, riparare la perdita e ripetere il test di tenuta.

* 25 bar per modelli OP-.....AJ.... e OP-.....FH....

6 – Deidratazione sotto vuoto

- Non usare mai il compressore per svuotare l'impianto.
- Collegare una pompa a vuoto sia sul lato LP sia sul lato HP.

- Svuotare l'impianto in condizioni di vuoto assoluto pari a 500 µm Hg (0,67 mbar).
- Non utilizzare un megahmetro né ricollegare l'alimentazione elettrica al compressore mentre è sotto vuoto, in quanto ciò può causare danni interni.

7 – Collegamenti elettrici

- Scollegare e isolare l'alimentazione di rete.
- Assicurarsi che l'alimentazione elettrica non possa essere ripristinata durante l'installazione.
- Tutti i componenti elettrici devono essere selezionati conformemente alle norme locali e ai requisiti dell'unità.
- Consultare lo schema elettrico per i dettagli relativi ai collegamenti elettrici.
- Assicurarsi che l'alimentazione corrisponda alle caratteristiche dell'unità e che l'alimentazione sia stabile (tensione nominale ± 10% e frequenza nominale ± 2,5 Hz)
- Il dimensionamento dei cavi dell'alimentazione deve essere basato sui dati dell'unità relativi a tensione e corrente.
- Proteggere l'alimentatore e assicurarsi che l'unità sia messa a terra correttamente.
- Effettuare il collegamento all'alimentazione elettrica in base agli standard locali e ai requisiti legali.
- L'unità è dotata di un regolatore elettronico. Consultare il Manuale R58GDxxx per dettagli.
- L'unità è dotata di un interruttore principale con protezione da sovraccarico. La protezione da sovraccarico è preimpostata in fabbrica, ma si consiglia di controllare il valore prima di mettere in funzione l'unità. Il valore della protezione da sovraccarico è reperibile nello schema elettrico ubicato sullo sportello anteriore dell'unità.
- L'unità è equipaggiata con pressostati per l'alta e la bassa pressione, i quali interrompono l'alimentazione elettrica al compressore in caso di attivazione. I parametri per l'interruzione dell'alimentazione in caso di attivazione dei pressostati sono preimpostati nel regolatore, adattato al compressore installato nell'unità.

Per unità con un compressore scroll a tre fasi (OP- MPXMxxxxxxx E), è necessario osservare la sequenza di fase corretta per la direzione di rotazione del compressore.

- Determinare la sequenza delle fasi utilizzando un misuratore di fase e stabilire l'ordine delle fasi di linea L1, L2 e L3.
- Collegare le fasi linea L1, L2 e L3 ai terminali dell'interruttore principale, rispettivamente T1, T2 e T3.

8 – Riempimento dell'impianto

- Non avviare mai il compressore sotto vuoto. Il compressore deve essere spento.
- Utilizzare solo refrigeranti per i quali l'unità è stata progettata.
- Immettere il refrigerante in fase liquida nel condensatore o nel ricevitore di liquido. Assicurare un caricamento lento del sistema, a 4 - 5 bar per l'R404A/ R448A/R449A/R407A/ R407F/R452A e circa 2 bar per l'R134a, R513A.
- Portare a termine la carica solo quando l'impianto ha raggiunto un livello di condizione nominale stabile durante il funzionamento.
- Non lasciare mai il cilindro collegato al circuito

Istruzioni

in corso di riempimento.

9 – Impostazione del regolatore elettronico

- L'unità è dotata di un regolatore elettronico con parametri di funzionamento pre-impostati. Consultare il Manuale RS8GDXXX per dettagli.
- Per impostazione predefinita, il display del regolatore elettronico visualizza il valore della temperatura per la pressione di aspirazione in °C. Per visualizzare il valore della temperatura per la pressione di condensazione, premere il pulsante inferiore (Figura 3).

Il regolatore elettronico è preimpostato in fabbrica per R404A o R449A o R452A o R134a a seconda del modello di compressore montato e dell'applicazione (consultare l'allegato contenuto nel Manuale di installazione del regolatore Optyma Controller). Se si utilizza un altro refrigerante, l'impostazione per il refrigerante deve essere modificata. Il parametro r12 deve essere impostato prima su 0 (interruttore principale software = off).

- Premere il pulsante superiore per un paio di secondi. La colonna con i codici di parametro viene visualizzata.
- Premere i pulsanti superiore e inferiore per reperire il codice parametro o30.
- Premere il pulsante centrale fino a quando il valore di questo parametro non viene visualizzato.
- Premere i pulsanti superiore e inferiore per selezionare il nuovo valore: 2 = R22, 3 = R134a, 13 = R513A, 17 = R507, 19 = R404A, 20 = R407C, 21 = R407A, 37 = R407F, 40 = R448A, 41 = R449A, 42 = R452A.
- Premere il pulsante centrale per confermare il valore selezionato.

10 – Verifiche prima della messa in esercizio

⚠ Utilizzare dispositivi di sicurezza, come un pressostato di sicurezza e una valvola di sicurezza meccanica, conformemente alle norme locali applicabili e agli standard di sicurezza. Assicurarsi che siano funzionanti e correttamente settati.

⚠ Verificare che i settaggi dei pressostati alta pressione e delle valvole di sicurezza non superino la pressione massima di esercizio di qualsiasi componente dell'impianto.

- Verificare che tutti i collegamenti elettrici siano correttamente allacciati e nel rispetto delle normative locali.
- Se una resistenza del carter è stata installata, l'unità deve essere messa in tensione almeno 12 ore prima della messa in servizio iniziale e prima dell'avviamento dopo un arresto prolungato nel caso di resistenze carter di tipo a cinghia.
- L'unità è dotata di un interruttore principale con protezione da sovraccarico. La protezione da sovraccarico è preimpostata in fabbrica, ma si consiglia di controllare il valore prima di mettere in funzione l'unità. Il valore di protezione del sovraccarico può essere reperito nello schema elettrico sullo sportello anteriore dell'unità.

11 – Avviamento

- Non avviare l'unità priva di carica refrigerante.
- Tutte le valvole di servizio devono essere in posizione aperta.
- La valvola Rotalock sul ricevitore deve essere ruotata di 1 giro nella direzione di chiusura per

ottenere la pressione di condensazione corretta per il trasmettitore di pressione.

- Verificare la conformità tra l'unità e l'alimentatore.
- Verificare che la resistenza del carter funzioni.
- Verificare che la ventola ruoti liberamente.
- Verificare che la protezione sia stata rimossa dalla parte posteriore del condensatore.
- Bilanciare la pressione HP/LP.
- Mettere in tensione l'unità. Deve avviarsi immediatamente. Se il compressore non si avvia, controllare la conformità del cablaggio e la tensione sui terminali.
- Una possibile rotazione inversa di un compressore a 3 fasi può essere rilevata se si osserva uno dei seguenti fenomeni: il compressore non è in grado di pressurizzarsi sufficientemente, il livello di rumorosità è eccessivamente elevato e il consumo di energia energetico è eccessivamente basso. In tal caso, spegnere immediatamente l'unità e collegare le fasi ai terminali corretti.
- Se il senso di rotazione è corretto, l'indicatore della bassa pressione sul regolatore (o manometro bassa pressione) deve visualizzare un calo di pressione e l'indicatore dell'alta pressione (o un manometro alta pressione) deve indicare una pressione crescente.

12 – Controlli dell'unità durante il funzionamento

- Controllare il senso di rotazione della ventola. L'aria deve fluire dal condensatore verso il ventilatore.
- Controllare l'assorbimento di corrente e la tensione.
- Controllare il surriscaldamento di aspirazione per ridurre il rischio di colpi di liquido.
- Se una finestra di livello è presente, osservare il livello dell'olio all'avviamento e durante il funzionamento per confermare che il livello dell'olio rimanga visibile.
- Rispettare i limiti di funzionamento.
- Controllare tutti i tubi per vibrazioni anomale. Movimenti superiori a 1,5 mm richiedono misure correttive, come il montaggio di apposite staffe per i tubi.
- Se necessario, è possibile aggiungere ulteriore refrigerante nella fase liquida sul lato bassa pressione, il più lontano possibile dal compressore. Il compressore deve essere in funzione durante questo processo.
- Non immettere una quantità eccessiva di liquido nell'impianto.
- Seguire le norme locali per ripristinare il refrigerante nell'unità.
- Non rilasciare mai il refrigerante nell'atmosfera.
- Prima di lasciare il luogo di installazione, effettuare un controllo generale dell'installazione in termini di pulizia, rumore e rilevamento delle perdite.
- Annotare il tipo e la quantità della carica del refrigerante e le condizioni di funzionamento come riferimento per future ispezioni.

13 – Funzionamento di emergenza senza il regolatore

In caso di guasto del regolatore, l'unità di condensazione può continuare ad essere utilizzata se il cablaggio standard del regolatore (Figura 4) viene modificato in cablaggio temporaneo (Figura 5), come descritto di seguito.

⚠ Questa modifica può essere effettuata solo

da un elettricista autorizzato. È necessario attenersi alle leggi nazionali.

⚠ Scollegare l'unità di condensazione dall'alimentazione elettrica (disattivare l'interruttore principale)

- Il contatto del termostato ambiente deve essere in grado di commutarsi su 250 V CA.
- Rimuovere il cavo 22 (ingresso di sicurezza DI3) e il cavo 24 (termostato ambiente DI1) e quindi unirli utilizzando una morsettiera isolata di 10 mm² e 250 V CA.
- Rimuovere il cavo 25 (termostato ambiente DI1) e il cavo 11 (alimentazione compressore) e unirli utilizzando una morsettiera isolata di 10 mm² e 250 V CA.
- Rimuovere il cavo 6 e collegarlo alla morsettiera isolata per il cavo 11 e 25. Un pressostato ventola o un regolatore della velocità della ventola possono essere collegati in serie al cavo 6.
- Rimuovere il cavo 14 (resistenza carter) e collegarlo al contattore K2 del compressore, terminale 22.
- Rimuovere il cavo 12 (alimentazione resistenza carter), prolungarlo di 0,4 m utilizzando una morsettiera di 10 mm² e 250 V CA e un cavo marrone di 1,0 mm² e collegarlo al contattore del compressore, terminale 21.
- Rimuovere la grande morsettiera dai terminali del regolatore 10-19.

Collegare l'unità di condensazione all'alimentazione elettrica (attivare l'interruttore principale)

14 – Manutenzione

⚠ Spegnere sempre l'unità tramite l'interruttore principale prima di aprire lo sportello o gli sportelli della ventola.

⚠ La pressione interna e la temperatura superficiale sono pericolose e possono causare lesioni permanenti. Gli operatori della manutenzione e gli installatori devono possedere le necessarie competenze e attrezzatura adeguata. La temperatura nei tubi può superare i 100 °C e causare gravi ustioni.

⚠ Assicurarsi che vengano effettuate le ispezioni di servizio periodiche, per garantire l'affidabilità dell'impianto come richiesto dalle normative locali, siano eseguite.

Per prevenire problemi all'impianto, a seguito della manutenzione periodica, è consigliabile:

- Verificare che i dispositivi di sicurezza siano in funzione e correttamente settati.
- Assicurarsi che l'impianto sia a tenuta.
- Controllare l'assorbimento elettrico del compressore.
- Verificare che l'impianto funzioni in modo coerente con i record di manutenzione precedenti e le condizioni ambientali.
- Controllare che tutti i collegamenti elettrici siano adeguatamente allacciati.
- Mantenere l'unità pulita e verificare l'assenza di ruggine e ossidazione sui componenti dell'unità, i tubi e i collegamenti elettrici.

Il condensatore deve essere controllato almeno una volta all'anno per rilevare possibili intasamenti ed essere pulito, se necessario. L'accesso all'interno del condensatore è tramite lo sportello della ventola. La sporcizia tende ad accumularsi sulla superficie delle bobine dei microcanali e

Istruzioni

non all'interno e sono quindi più facili da pulire rispetto ai modelli convenzionali (ad alette e tubi).

- Spegnerne sempre l'unità tramite l'interruttore principale prima di aprire lo sportello della ventola.
- Rimuovere lo sporco superficiale, foglie, fibre, ecc. con un aspirapolvere, dotato di una spazzola o un altro accessorio morbido. In alternativa, soffiare aria compressa attraverso la bobina dall'interno verso l'esterno e pulire con un pennello a setole morbide. Non usare una spazzola metallica. Non colpire o raschiare la bobina con il tubo o l'ugello dell'aria.
- Prima di chiudere lo sportello della ventola, ruotare la pala della ventola nella posizione indicata alla Figura 6 per evitare che la porta colpisca la ventola.

Se il sistema refrigerante è stato aperto, deve essere pulito con aria secca o azoto per eliminare l'umidità e un nuovo filtro deidratatore deve essere installato. Se il refrigerante deve essere spurgato, adottare una procedura che prevenga il rilascio del refrigerante nell'ambiente.

15 – Dichiarazione di conformità

• **Direttiva sulle apparecchiature a pressione 2014/68/UE EN 378-2:2016** - Impianti di refrigerazione e pompe di calore - Requisiti di sicurezza e ambientali - Parte 2: Progettazione, costruzione, collaudo, marcatura e documenta-

zione

Direttiva sulla bassa tensione 2014/35/UE EN 60335-1:2012 + A11:2014 - Sicurezza degli apparecchi elettrici d'uso domestico e similare - Parte 1: Requisiti generali per tutte le unità condensatrici sopra menzionate

DIRETTIVA Ecodesign 2009/125/ CE relativa all'istituzione di un quadro per l'elaborazione di requisiti per la progettazione ecocompatibile dei prodotti connessi all'energia.

REGOLAMENTO (UE) 2015/1095, recante misure di esecuzione della direttiva Ecodesign 2009/125/CE in merito ai requisiti di progettazione ecocompatibile degli armadi refrigerati professionali, degli abbattitori, delle unità condensatrici e dei chiller di processo.

• Le misure dell'unità condensatrice sono eseguite in base alla norma «EN 13771-2: 2007» - Compressori e unità condensatrici per la refrigerazione - Verifica delle prestazioni e metodi di prova - parte 2: Unità condensatrici

16 – Garanzia

Comunicare sempre il numero di modello e il numero di serie per qualsiasi reclamo presentato per questo prodotto.

La garanzia del prodotto può essere nulla nei seguenti casi:

- Assenza di targhetta.
- Modifiche esterne, in particolare forature, saldature, piedini rotti e segni di urti.
- Compressore aperto o restituito non sigillato.

- Ruggine, presenza di colorante per il rilevamento di perdite all'interno del compressore.
- Uso di un refrigerante o lubrificante non approvati da Danfoss.
- Qualsiasi deviazione dalle istruzioni raccomandate relative a installazione, applicazione o manutenzione.
- Utilizzo in applicazioni mobili.
- Utilizzo in atmosfere esplosive.
- Numero di modello o numero di serie non inclusi con la richiesta di garanzia.

17 – Smaltimento



Danfoss raccomanda che le unità di condensazione e l'olio vengano riciclati da una società specializzata presso il proprio sito.

Instruktioner

Optyma™ Plus

OP-LPQM, OP-MPYM, OP-MPXM,
OP-MPGM, OP-MPBM

Typskylt

A	OP-MPX034MLP00G	 MADE IN INDIA
B	114X4261	
C	Application MBP	IP 54
D	Refrigerant (1) R404A R507 R448A/R449A R407A/R407F/R452A	(2) R134a R513A
E	M.W.P. HP (1) 28 bar	(2) 23 bar
	M.W.P. LP (1) 7 bar	(2) 5 bar
F	Voltage 230 V ~ 1N ~ 50Hz	
	LRA 60 A	MCC 19 A
	OIL INSIDE POE 46	
G	Serial No. 123456CG2816	
	EAN No. xxxxxxxxxxxxxxxx	

Danfoss A/S, 6430 Nordborg, Danmark

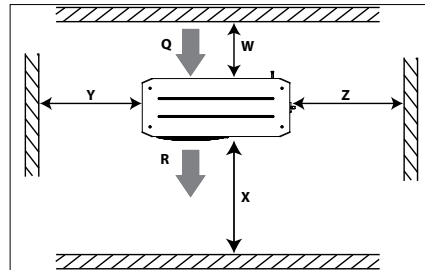


Bild 1: Minimum monteringsavstånd

Q: Luft in

R: Luft ut

Enhet	W [mm]	X [mm]	Y [mm]	Z [mm]
Hus 1 (Kodnr 114X31-- eller 114X41--)	250	550	456	456
Hus 2 (Kodnr 114X32-- eller 114X42--)	250	650	530	530
Hus 3 (Kodnr 114X33-- eller 114X43--)	250	760	581	581
Hus 4 (Kodnr 114X34-- eller 114X44--)	250	900	700	700



⚠️ Aggregatet får endast användas i de syften som den är ämnad för och inom dess tilltänkta användningsområden.

⚠️ Under alla omständigheter måste EN378-kraven (eller andra tillämpliga lokala säkerhetsföreskrifter) uppfyllas.

Aggregatet levereras med ett kvävgasstryck (1 bar) och kan därför inte anslutas i befintligt skick. Läs avsnittet installation för ytterligare information.

Aggregatet ska hanteras med försiktighet och i upprätt position (maximal förskjutning från upprätt position: 15°)



Installation och servicearbete får endast utföras av kvalificerad personal. Följ dessa instruktioner och använd goda kyltekniska metoder vid installation, driftsättning, underhåll och servicearbete på kylenheten.

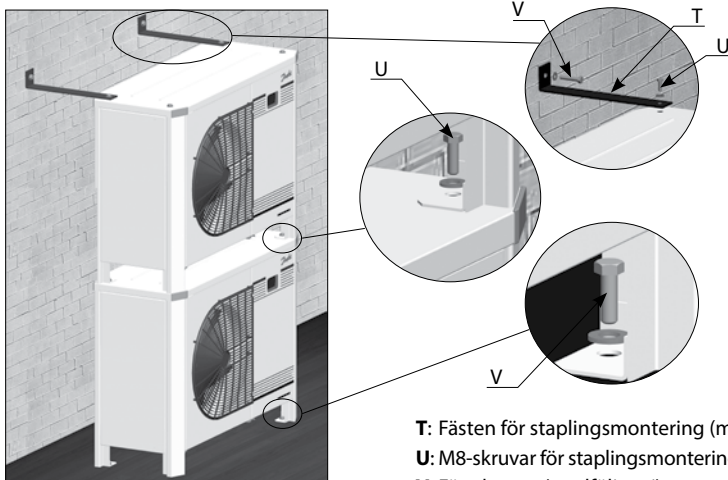


Bild 2: Staplingsmontering

T: Fästen för staplingsmontering (medföljer ej)
U: M8-skrivar för staplingsmontering (medföljer)
V: Fästskruvar (medföljer ej)

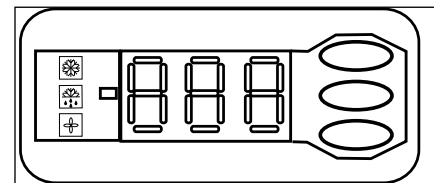


Bild 3: Elektronisk styrenhetsdisplay

- Kompressor igång
- Vevhusvärmare på
- Fläkt igång
- Temperaturvärde för sugtryck. Tryck på den nedre knappen för att växla till temperaturvärdet för kondenseringsstryck



Bild 4: Normala anslutningar



Bild 5: Tillfälliga anslutningar

Instruktioner

1 – Inledning

Dessa anvisningar avser Optyma™ Plus kondenseringsenheter OP-LPHM, OP-MPYM, OP-MPXM, OP-MPGM, OP-MPQM, OP-LPQM och OP-MPBM som används för kylsystem. De innehåller väsentlig information om säkerhet och korrekt användning av produkten.

Kondenseringsenheten innehåller följande:

- Mikrokanalens värmeväxlare
- Kolv- eller scrollkompressor
- Mottagare med stoppventil
- Kulventiler
- Synglas
- Hög- och lågtrycksbrytare
- Utbytbar Torkfilter
- Elektronisk regulator
- Huvudkrets brytare (huvudbrytare med överlastskydd)
- Fläkt- och kompressorkondensatorer
- Kompressorkontakter
- Robust väderskyddat hus

2 – Hantering och förvaring

- Du bör inte öppna förpackningen innan enheten befinner sig på den slutliga installationsplatsen.
- Hantera enheten med försiktighet. Förpackningen kan lyftas med en gaffeltruck eller palllyft. Använd lämplig och säker lyftutrustning.
- Förvara och transportera enheten i upprätt position.
- Förvara enheten i temperaturer på mellan -35 °C och 50 °C.
- Utsätt inte förpackningen för regn eller frätande miljöer.
- Kontrollera att enheten är komplett och oskadad efter upppackningen.

3 – Förebyggande åtgärder vid installation

⚠ Placera aldrig enheten i en omgivning där det finns risk för brand.

⚠ Placera enheten så att den inte blockerar eller hindrar gångar, dörrar, fönster eller liknande.

- Kontrollera att det finns tillräckligt utrymme runt enheten för luftcirkulationen och för att öppna dörrarna. Se bild 1 för uppgifter om minsta avstånd till väggarna.
- Installera inte enheten på platser som utsätts för solsken dagligen och/eller under längre perioder.
- Installera inte enheten i aggressiva eller dammiga omgivelningar.
- Kontrollera att grunden är plan (mindre än 3° lutning), samt tillräckligt stark och stabil för att bära upp enhetens hela vikt och eliminera vibrationer och störningar.
- Omgivningstemperaturen får aldrig överstiga 50 °C när enheten är ur bruk.
- Kontrollera att strömförsörjningen motsvarar enhetens egenskaper (se namnplattan).
- När du installerar enheter som är avsedda för

HFC-köldmedier måste du använda utrustning som är ämnad just för HFC-köldmedier och som aldrig tidigare har använts för CFC- eller HCFC-köldmedier.

- Använd lödmaterial av silverlegering samt rena och vattenfria kopparrör som är godkända för användning i kylutrustning
- Använd rena och vattenfria systemkomponenter.
- Sugledningarna som kopplas till kompressorn måste vara tredimensionellt flexibla för att dämpa vibrationer. Dessutom måste rördragningen göras på ett sådant sätt att oljerturen är säkerställd och att risken för vätskeslag i kompressorn elimineras.

4 – Installation

- Kondenseringsenhetens installation måste uppfylla EU:s tryckdirektiv (PED) nr 97/23/EG. Själva kondenseringsenheten är inte en "enhet" inom ramen för det här direktivet.
- Enheten bör installeras på gummidämpare eller vibrationsdämpare (medföljer ej).
- Flera enheter kan staplas ovanpå varandra.

Enhet	Maximal stapling
Hus 1 (Kodnr 114X31-- eller 114X41--)	3
Hus 2 (Kodnr 114X32-- eller 114X42--)	2
Hus 3 (Kodnr 114X33-- eller 114X43--)	2
Hus 4 (Kodnr 114X34-- eller 114X44--)	2

- Vid stapling måste den översta enheten säkras mot väggen, enligt bild 2.
- Släpp långsamt ut kvävfyllningen genom schraderporten.
- Anslut enheten till systemet så snart du kan för att undvika att oljan kontamineras av luftfuktighet.
- Se till att inget material kommer in i systemet medan du skär till rören. Borra aldrig hål där det inte går att ta bort borrhög.
- Löd med stor försiktighet och använd den allra senaste tekniken och använd skyddsgas.
- Anslut alla nödvändiga säkerhets- och styrenheter. Om schraderporten används till detta ska du ta bort ventilen som sitter på insidan.
- Vi rekommenderar att sugröret isoleras upp till kompressorinloppet med 19 mm tjock isolering.

5 – Kontrollera efter läckage

⚠ Fyll aldrig kretsen med syre eller torr luft. Det kan orsaka brand eller explosion.

- Använd inte färg för att kontrollera efter läckage.
- Kontrollera efter läckage i hela systemet.
- Det maximala provtrycket är 31^{*)} bar.
- Då ett läckage upptäcks ska det repareras och ytterligare en kontroll utföras.

^{*) 25 bar för OP-.....AJ-.... & OP-.....FH-.... modeller}

6 – Vakuumsugning

- Använd aldrig kompressorn för att evakuera systemet.

- Anslut en vakuumpump till både lågtrycks- och högtryckssidorna.
- Sug ner systemet under ett vakuum på 500 µm Hg (0,67 mbar) absolut tryck.
- Använd inte en megohmmeter och tillför ingen ström till kompressorn medan den är under vakuum eftersom det kan leda till skador inuti systemet.

7 – Elektriska anslutningar

- Stäng av och isolera huvudströmsmatningen.
- Kontrollera att spänningsmatningen inte kan slås till under installationen.
- Alla elektriska komponenter ska väljas enligt lokala standarder och vara kompatibla med enheten.
- Se kopplingschemat för uppgifter om elektriska anslutningar.
- Kontrollera att strömförsörjningen motsvarar enhetens egenskaper och att strömförsörjningen är stabil (märkspänning ±10 % och märkfrekvens ±2,5 Hz)
- Dimensionera strömförsörjningskablar enligt enhetens data för spänning och ström.
- Skydda strömförsörjningen och kontrollera att jordningen är korrekt utförd.
- Kontrollera att strömförsörjningen uppfyller lokala standarder och lagstadgade krav.
- Enheten har en elektronisk regulator. Mer information finns i bruksanvisningen till RS8GDxxx.
- Enheten har en huvudbrytare med överlastskydd. Överlastskyddet är förinställt men du bör kontrollera värdet innan du startar enheten. Överlastskyddets värde finns i kopplingschemat i enhetens främre lucka.
- Enheten har hög- och lågtrycksbrytare som stänger av strömförsörjningen till kompressorn omedelbart om de aktiveras. Parametrarna för hög- och lågtrycksfrånslag är förinställda i styrenheten och anpassade till kompressorn som är installerad i enheten.

För enheter med trefasmatad scrollkompressor (OP-MPXMxxxxxxxE) måste fassetvinsten vara rätt inställd för kompressorns rotationsriktning.

- Fastställ fassetvinsten med en fasmätare så att ordningen på ledningsfaserna L1, L2 och L3 blir korrekt.
- Anslut ledningsfaserna L1, L2 och L3 till huvudbrytarens anslutningar T1, T2 respektive T3.

8 – Fylla på systemet

- Starta aldrig kompressorn under vakuum. Kompressorn ska vara avstängd.
- Använd bara det köldmedium som enheten är konstruerad för.
- Fyll på flytande köldmedium i kondensorn eller köldmediebehållaren. Systemet ska fyllas långsamt till 4–5 bar för R404A/R448A/R449A/R407A/R407F/R452A och cirka 2 bar för R134a, R513A.
- Fortsätt fyllningen tills installationen har upp-

Instruktioner

nått ett stabilt nominellt tillstånd under drift.

- Låt aldrig påfyllningscylindern sitta kvar vid kretsen.

9 – Ställa in den elektroniska styrenheten

- Enheten har en elektronisk styrenhet som är fabriksprogrammerad med parametrar för den aktuella enheten. Se bruksanvisningen RS8GDXXX för mer information.
- Den elektroniska styrenheten visar temperaturvärdet för sugtrycket i °C som standard. Om du vill visa temperaturvärdet för kondenseringsstrycket trycker du på den nedre knappen (bild 3).

Den elektroniska regulatören är förinställd från fabriken för R404A, R449A, R452A och R134a beroende på kompressormodell som installerats och tillämpning (se bilaga i installationshandboken för Optyma Controller). Om ett annat köldmedium används måste köldmedieinställningen ändras. Parameter r12 måste ställas in på 0 först (programvarans huvudbrytare = av).

- Tryck på den övre knappen i några sekunder. Kolumnen med parameterkoderna visas.
- Tryck på den övre eller nedre knappen för att hitta parameterkoden o30.
- Tryck på mittenknappen tills värdet för den här parametern visas.
- Tryck på den övre eller nedre knappen för att välja det nya värdet. 2 = R22, 3 = R134a, 13 = R513A, 17 = R507, 19 = R404A, 20 = R407C, 21 = R407A, 37 = R407F, 40 = R448A, 41 = R449A, 42 = R452A.
- Tryck på mittenknappen för att bekräfta det valda värdet.

10 – Verifiering före driftsättning

△ Använd säkerhetsenheter som t.ex. tryckbrytare och mekaniska säkerhetsventiler som överensstämmer med både allmänna och lokala föreskrifter och säkerhetsstandarder. Se till att de fungerar och är ordentligt installerade.

△ Kontrollera att tryckbrytarnas och säkerhetsventilernas inställningar inte överstiger det maximala drifttrycket för någon komponent i systemet.

- Kontrollera att alla elektriska anslutningar sitter ordentligt och överensstämmer med lokala föreskrifter.
- Om en vevhusvärmare behövs måste enheten startas minst 12 timmar före första uppstart och start efter långvarig avstängning för vevhusvärmare av bältestyp.
- Enheten har en huvudbrytare med överlastskydd. Överlastskyddet är förinställt från fabrik, men du bör kontrollera värdet innan du tar enheten i drift. Överlastskyddets värde hittar du på kopplingsdiagrammet på enhetens främre lucka.

11 – Start

- Enheten får bara startas om köldmedium har

fyllets på i den.

- Alla serviceventiler måste vara öppna.
- Rotolock-ventilen på köldmediebehållare måste vridas 1 varv i stängningsriktningen för att få rätt kondenseringsstryck till trycktransmittern
- Kontrollera att enhetens och elnätets spänningar stämmer överens.
- Kontrollera att vevhusvärmaren arbetar.
- Kontrollera att fläkten kan rotera fritt.
- Kontrollera att skyddsarket har tagits bort från kondenseringsenhetens baksida.
- Balansera högtrycket och lågtrycket.
- Starta enheten. Den måste starta omedelbart. Om kompressorn inte startar ska du kontrollera anslutningarna och spänningen på terminalerna.
- Eventuell backrotation hos en trefas scrollkompressor kan identifieras på följande sätt: kompressorn bygger inte upp tryck, den avger onormalt högt buller och har en onormalt låg effektförbrukning. Om detta inträffar ska enheten stängas av omedelbart varefter fasserna ska anslutas till korrekt anslutningar.
- Om rotationsriktningen är korrekt ska lågtrycksindikeringen på styrenheten (eller lågtrycksmätaren) visa ett sjunkande tryck och högtrycksindikatorn (eller högtrycksmätaren) ska visa ett ökande tryck.

12 – Kontroll medan enheten är i drift

- Kontrollera fläktens rotationsriktning. Luften måste flöda från kondenseringsenheten och mot fläkten.
- Kontrollera aktuell strömförbrukning och spänning.
- Kontrollera saggasöverhettningen för att minska risken för vätskeslag.
- Om kompressorn har ett synglas ska du kontrollera oljenivån vid start och under drift. Oljenivån ska alltid vara synlig.
- Respektera alla driftgränsvärden.
- Kontrollera att inga rör vibrerar på ett onormalt sätt. Om de rör sig mer än 1,5 mm måste du åtgärda problemet genom att fästa t.ex. rörkonsoler.
- När det behövs kan mer flytande köldmedium fyllas på på lågtryckssidan så långt från kompressorn som möjligt. Kompressorn måste vara i drift under den här processen.
- Överbelasta inte systemet.
- Följ lokala föreskrifter beträffande återställning av köldmediet från enheten.
- Släpp aldrig ut köldmedium i atmosfären.
- Innan du lämnar installationsplatsen ska du utföra en allmän inspektion av installationen för att kontrollera renlighet, ljudnivå och läckage.
- Notera vilken typ av köldmedium som används och hur mycket samt driftsförhållanden, så att du kan använda detta som referens för framtida inspektioner.

13 – Körning utan styrenhet i nödläge

Om styrenheten slutar fungera kan kondenseringsenheten fortfarande köras om styrenhetens standardanslutning (bild 4) har ändrats till en tillfällig anslutning (bild 5) enligt beskrivningen nedan.

△ Den här modifieringen får bara utföras av behörig elektriker. Följ alltid gällande lagar och bestämmelser i det aktuella landet.

△ Koppla från kondenseringsenheten från strömförsörjningen (stäng av den med huvudbrytaren)

- Rumstermostatens kontakt måste kunna klara 250 V AC.
- Ta bort kabel 22 (säkerhetsgång DI3) och kabel 24 (rumstermostat DI1) och koppla samman dem med en isolerad anslutningsbrygga 250 V AC, 10 mm².
- Ta bort kabel 25 (rumstermostat DI1) och kabel 11 (kompressortillförsel) och koppla ihop dem med en isolerad 250 V AC-terminalbrygga på 10 mm².
- Ta bort kabel 6 och koppla ihop den med terminalbryggan för kabel 11 och 25. En fläkttryckkvatt eller fläkthastighetsregulator kan seriekopplas till kabel 6.
- Ta bort kabel 14 (vevhusvärmare) och koppla ihop den med kontaktorterminal 22 för kompressorn.
- Ta bort kabel 12 (matning för vevhusvärmare), förläng kabeln med hjälp av en 250 V AC-terminalbrygga på 10 mm² och en brun kabel på 1,0 mm² och koppla ihop den med kontaktorterminal 21 för kompressorn.
- Ta bort det stora anslutningsblocket från styrenhetens anslutningar 10 till 19.
- Anslut kondenseringsenheten till strömförsörjningen (slå till huvudbrytaren).

14 – Underhåll

△ Stäng alltid av enheten med huvudbrytaren innan du öppnar fläktdörren/fläktdörrarna.

△ Det interna trycket och yttemperaturen utgör en fara och kan orsaka permanenta skador. Underhållsarbetare och installatörer besitter den kunskap som krävs och har tillgång till lämpliga verktyg. Rörens temperatur kan överstiga 100 °C och kan orsaka allvarliga brännskador.

△ Rutinmässiga serviceinspektioner ska utföras för att systemet ska fungera pålitligt och enligt lokala föreskrifter.

För att förhindra att systemrelaterade problem med kompressorn uppstår rekommenderar vi att följande rutinmässiga underhållsarbete utförs:

- Kontrollera att säkerhetsenheterna fungerar och är korrekt inställda.
- Kontrollera att systemet är tätt och att det inte läcker.
- Kontrollera kompressorns strömförbrukning.
- Bekräfta att systemet fungerar på ett sätt som är konsekvent med observationer från tidigare underhållsarbete och nuvarande miljöförhållanden.

Instruktioner

landen.

- Kontrollera att alla elektriska anslutningar sitter ordentligt.
- Håll kompressorn ren och kontrollera att det inte finns någon rost eller oxidering på kompressorns hölje, rör och elektriska anslutningar.

Kondenseringsenheten måste kontrolleras minst en gång om året och rengöras vid behov. Åtkomst till kondenseringsenhetens innerutrymme sker genom fläktluckan. Mikrokanalens kondensator tenderar att ackumulera smuts på utsidan vilket gör dem lättare att rengöra än kondensatorer med flänsar och rör.

- Stäng av enheten med huvudbrytaren innan du öppnar fläktdörren.
- Ta bort smuts, löv, fibrer osv. med en dammsugare som har en borste eller något annat mjukt verktyg. Du kan även blåsa tryckluft igenom spolen från insidan och utåt, och borsta av med en mjuk borste. Använd inte stålborste. Slå inte och skrapa inte spolen med sugröret eller luftmunstycket.
- Innan du stänger fläktluckan ska fläktbladet ställas i det läge som visas i bild 6, så att luckan inte slår emot fläkten.

Om köldmediesystemet har öppnats måste systemet rensas med torr luft eller kväve för att få bort fukt, varefter ett nytt torkfilter ska monteras. Om köldmediet behöver tappas av får inget köldmedium läcka ut i omgivningarna.

15 – Deklaration om överensstämmelse

• **Pressure Equipment Directive 2014/68/EU SS-EN 378-2:2016** – kylningssystem och värmepumpar - säkerhets- och miljökrav-Del 2: Utformning, konstruktion, provning, märkning och dokumentation.

• **Lågspänningsdirektivet 2014/35/EU SS-EN 60335-1:2012 + A11:2014** – Elektriska hushållsapparater och liknande bruksföremål - Säkerhet - Del 1: Allmänna krav för alla ovannämnda luftkylda aggregat.

• **Ekodesigndirektivet 2009/125/EG** som utgör ett ramverk som fastställer ekodesignkrav för energirelaterade produkter.

FÖRORDNING (EU) 2015/1095 där ekodesigndirektivet 2009/125/EG implementeras avseende ekodesignkrav för kylskåp och frysar för professionellt bruk, snabbnedkylningsskåp, luftkylda aggregat och processkylaggregat.

• Luftkylda aggregat mäts i enlighet med standarden SS-EN 13771-2:2007 – Kylkompressorer och kondensorenheter - Prestandaprovning och provningsmetoder - Del 2: Kondensorenheter

16 – Garanti

Skicka alltid med modellnumret och serienumret med alla krav som anmäls med avseende på produkten.

Produktgarantin kanske inte gäller i följande fall:

- Namnplattan saknas.
- Ändringar har gjorts på utsidan, t.ex. borrar, svetsning, trasiga fötter och märken.
- Kompressorn är öppnad eller skickas tillbaka oförseglad.
- Det finns rost, vatten eller läckagedetekteringsfärg inuti kompressorn.
- Ett köldmedium eller smörjmedel som inte godkänts av Danfoss har använts.
- De rekommenderade instruktionerna för installation, användning eller underhåll har inte följts.
- Användning i mobila applikationer.
- Användning i explosiva miljöer.
- Modellnumret eller serienumret har inte skickats med kravet.

17 – Kassering



Danfoss rekommenderar att kondenseringsenheterna och oljan återvinns av ett lämpligt företag inom deras område.

Instruções

Optyma™ Plus

OP-LPQM, OP-MPYM, OP-MPXM,
OP-MPGM, OP-MPBM

Placa de identificação

A	OP-MPXM034MLP00G	 MADE IN INDIA
B	114X4261	
C	Application MBP	IP 54
D	Refrigerant (1) R404A R507 R448A/R449A R407A/R407F/R452A	(2) R134a R513A
E	M.W.P. HP (1) 28 bar	(2) 23 bar
	M.W.P. LP (1) 7 bar	(2) 5 bar
F	Voltage 230 V ~ 1N ~ 50Hz	
	LRA 60 A	MCC 19 A
	OIL INSIDE POE 46	
G	Serial No. 123456CG2816	 EAN No. XXXXXXXXXXXXX
	EAN No. XXXXXXXXXXXXX	

Danfoss A/S, 6431 Nordborg, Denmark

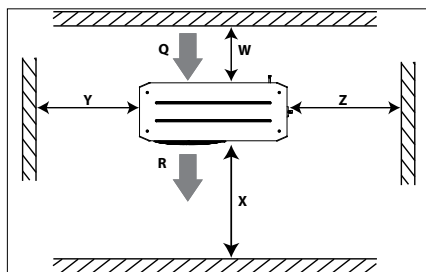


Imagem 1: Distâncias de montagem mínimas

Unidade	W [mm]	X [mm]	Y [mm]	Z [mm]
Caixa 1 (Código n.º 114X31– ou 114X41–)	250	550	456	456
Caixa 2 (Código n.º 114X32– ou 114X42–)	250	650	530	530
Caixa 3 (Código n.º 114X33– ou 114X43–)	250	760	581	581
Caixa 4 (Código n.º 114X34– ou 114X44–)	250	900	700	700

Q: Entrada de ar

R: Saída de ar



⚠ A unidade de condensação apenas deverá ser utilizada nos fins para os quais foi concebida e dentro do seu âmbito de aplicação.

⚠ Em qualquer circunstância, os requisitos EN378 (ou outros regulamentos locais de segurança aplicáveis) terão de ser cumpridos.

A unidade de condensação é entregue sob pressão de gás nitrogénio (1 bar) e como tal não pode ser ligada tal como está; consulte a secção «instalação» para mais pormenores.

A unidade de condensação deve ser manuseada com cuidado e mantida na posição vertical (desvio máximo da posição vertical: 15°)



Instalação e manutenção das unidades de condensação, apenas por pessoal qualificado. Siga estas instruções e uma sensata prática na engenharia da refrigeração relativamente à instalação, arranque, manutenção e serviço.

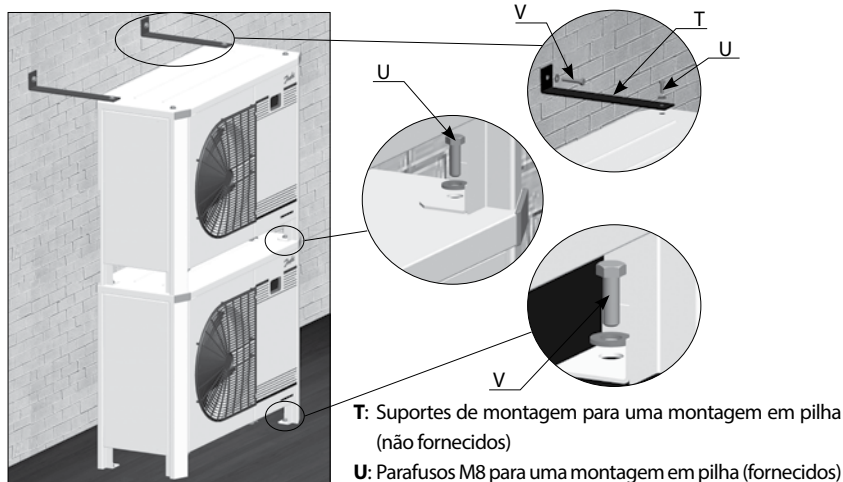


Imagem 2: Montagem em pilha

- T: Suportes de montagem para uma montagem em pilha (não fornecidos)
- U: Parafusos M8 para uma montagem em pilha (fornecidos)
- V: Parafusos de montagem (não fornecidos)

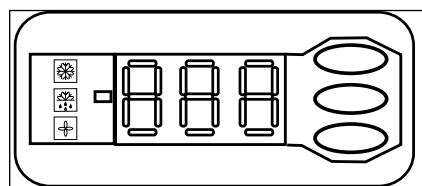


Imagem 3: Visor do controlador electrónico

- Compressor em funcionamento
- Resistência do cárter ligada
- Ventilador em funcionamento
- Temperatura à pressão de aspiração.
- Prima o botão inferior para consultar a temperatura à pressão de condensação



Imagem 4: Cablagem normal



Imagem 5: Cablagem temporária

Instruções

1 – Introdução

Estas instruções são válidas para as unidades de condensação Optyma™ Plus OP-LPHM, OP-MPYM, OP-MPXM, OP-MPGM, OP-MPQM, OP-LPQM e OP-MPBM utilizadas em sistemas de refrigeração. Fornecem a informação necessária relativa à segurança e à utilização correcta deste produto.

A unidade de condensação inclui o seguinte:

- Permutador de calor de microcanais
- Compressor recíproco ou scroll
- Depósito de líquido com válvula de segurança
- Válvulas de esfera
- Visor de líquido
- Pressóstatos de alta e baixa pressão
- Filtro secador permutável
- Controlador electrónico
- Disjuntor principal (Interruptor principal com protecção de sobrecarga)
- Condensadores do ventilador e do compressor
- Contactor do compressor
- Caixa robusta e protegida contra a intempérie

2 – Manuseamento e armazenamento

- Recomenda-se que não abra a embalagem antes da unidade se encontrar no local destinado à sua instalação.
- Manuseie a unidade com cuidado. A embalagem permite que utilize uma empilhadora ou um porta-paletes. Utilize um equipamento de elevação apropriado e seguro.
- Armazene e transporte a unidade na posição vertical.
- Armazene a unidade a uma temperatura situada entre os -35 °C e 50 °C.
- Não exponha a embalagem à chuva ou a uma atmosfera corrosiva.
- Após desembalar, verifique se a unidade se encontra completa e livre de danos.

3 – Precauções de instalação

⚠ Jamais coloque a unidade numa atmosfera inflamável

⚠ Coloque a unidade de modo a que não bloqueie ou obstrua as áreas de passagem, portas, janelas ou elementos similares.

- Assegure que existe suficiente espaço à volta da unidade para o ar circular e para abrir portas. Consulte a imagem 1 para obter os valores mínimos de distância para com as paredes.
- Evite instalar a unidade em locais que estejam expostos diariamente à luz solar directa por períodos alargados.
- Evite instalar a unidade em ambientes agressivos e poeirentos.
- Certifique-se de que existe uma superfície de suporte horizontal (com uma inclinação inferior a 3°), forte e com suficiente estabilidade para suportar a totalidade do peso da unidade e eliminar vibrações e interferências.
- A temperatura ambiente da unidade não deve exceder os 50 °C, durante o repouso.
- Assegure que a fonte de alimentação corresponde às características da unidade (consulte a placa de características).
- Na instalação de unidades para refrigerantes HFC, utilize equipamento especialmente reservado para refrigerantes HFC, que nunca tenha sido utilizado para refrigerantes CFC ou HCFC.
- Utilize tubos de cobre para refrigeração, limpos e desidratados e ainda material de soldadura com liga de prata.
- Utilize componentes de sistema limpos e desi-

tratadas.

- A tubagem de aspiração ligada ao compressor deve ser flexível nas 3 dimensões para amortecer as vibrações. Adicionalmente, a tubagem tem de ser colocada de modo a assegurar o retorno do óleo ao compressor e eliminar o risco de golpe de líquido no compressor.

4 – Instalação

- A instalação da qual faz parte a unidade de condensação deve estar em conformidade com a directiva de pressão CEE (PED) n.º 97/23/ CE. No âmbito desta directiva a unidade de condensação não é considerada uma “unidade”.
- Recomenda-se que instale a unidade em suportes de borracha ou em amortecedores da vibrações (não fornecidos).
- É possível empilhar unidades em cima umas das outras.

Unidade	Empilhamento máximo
Caixa 1 (Código n.º 114X31-- ou 114X41--)	3
Caixa 2 (Código n.º 114X32-- ou 114X42--)	2
Caixa 3 (Código n.º 114X33-- ou 114X43--)	2
Caixa 4 (Código n.º 114X34-- ou 114X44--)	2

- Numa pilha, a unidade do topo deve estar fixa contra a parede, conforme apresentado na imagem 2.
- Liberte lentamente a carga de nitrogénio através da válvula schrader.
- Assim que possível, ligue a unidade ao sistema para evitar a contaminação do óleo, proveniente da humidade ambiente.
- Evite a entrada de materiais estranhos no sistema enquanto corta os tubos. Nunca perfure em locais onde não podem ser removidas as reberbas.
- Efectue a soldadura com extremo cuidado, utilizando a mais recente tecnologia; purgue as condutas fazendo circular azoto.
- Ligue os dispositivos de controlo e segurança necessários. Retire a válvula interna quando a válvula schrader é utilizada para este fim.
- Recomenda-se que isole o tubo de aspiração até à entrada do compressor com um isolamento de 19 mm de espessura.

5 – Detecção de fugas

⚠ Nunca pressurize o circuito com oxigénio ou ar seco. Isto poderá provocar fogo ou explosão.

- Não utilize tinta para detecção de fugas
- Execute um ensaio de detecção de fugas na totalidade do sistema
- A pressão máxima do ensaio não deve exceder os 31*) bar.
- Quando for detectada uma fuga, repare a fuga e repita a detecção de fugas.

*) 25 bar para os modelos OP-..... AJ..... & OP-..... FH.....

6 – Desidratação por vácuo

- Jamais utilize o compressor para fazer vácuo ao sistema.
- Ligue uma bomba de vácuo aos lados de Baixa e Alta Pressão.
- Baixe o sistema a uma pressão absoluta de 500 µm Hg (0,67 mbar).
- Não utilize um megaohmímetro, nem ligue a alimentação do compressor, enquanto este se encontrar sob vácuo, já que tal poderá provo-

car danos internos.

7 – Ligações eléctricas

- Desligue e isole a principal fonte de alimentação.
- Assegure-se que a fonte de alimentação não pode ser ligada durante a instalação.
- Todas as componentes eléctricas deverão ser seleccionadas segundo os padrões locais e os requisitos da unidade.
- Consulte o esquema eléctrico para obter informação detalhada das ligações eléctricas.
- Assegure que a fonte de alimentação corresponde às características da unidade e que a fonte de alimentação se encontra estável (voltagem nominal de ±10% e frequência nominal de ±2,5 Hz)
- Dimensione os cabos da fonte de alimentação em conformidade com os dados da unidade relativamente à voltagem e à corrente.
- Proteja a fonte de alimentação e assegure-se que existe uma correcta ligação à massa.
- Coloque a fonte de alimentação em conformidade com os padrões e requisitos legais locais
- A unidade está equipada com um controlador electrónico. Consulte o Manual RS8GDxxx para mais detalhes.
- A unidade é equipada com um interruptor principal com uma protecção de sobrecarga. A protecção de sobrecarga é predefinida na fábrica mas recomenda-se que verifique o valor antes de colocar a unidade em funcionamento. O valor da protecção de sobrecarga pode ser encontrado no esquema eléctrico colocado na porta dianteira da unidade.
- A unidade está equipada com pressóstatos de alta e baixa pressão, que cortam directamente a alimentação ao compressor caso sejam activados. As pressões de corte alta e baixa são predefinidas no controlador de acordo com o compressor instalado na unidade.

Para unidades com um compressor scroll trifásico (OP-MPXMxxxxxxxE), deve-se ter especial atenção à sequência das fases, de forma a garantir uma correcta direcção de rotação.

- Determine a sequência de fases utilizando um medidor de fase de modo a estabelecer a ordem das fases de linha L1, L2 e L3.
- Ligue as fases de linha L1, L2 e L3 aos terminais do interruptor principal T1, T2 e T3, respectivamente.

8 – Carregamento do sistema

- Nunca arranque o compressor sob vácuo. Mantenha o compressor desligado.
- Utilize apenas o refrigerante para o qual a unidade foi concebida.
- Encha o condensador ou o depósito de líquido com refrigerante em estado líquido. Assegure-se de um carregamento lento do sistema até 4 - 5 bar para R404A/R448A/R449A/R407A/R407F/R452A e de aproximadamente 2 bar para R134a, R513A.
- A carga restante é efectuada quando a instalação atingiu o seu nível nominal e o mantenha estável durante o funcionamento.
- Nunca deixe o cilindro de carga ligado ao circuito.

9 – Configuração do controlador electrónico

- A unidade está equipada com um controlador electrónico programado de fábrica com parâmetros aptos para a utilização com a unidade. Para obter mais informações consulte o Manual

Instruções

RS8GDXXX.

- Por predefinição, o visor do controlador electrónico apresenta a temperatura para a pressão de aspiração em °C. Para apresentar a temperatura para a pressão de condensação, prima o botão inferior (imagem 3).

O controlador electrónico é predefinido na fábrica para R404A ou R449A ou R452A ou R134a, dependendo do modelo do compressor montado e da aplicação (consulte o anexo no manual de instalação do controlador Optyma).. Se for utilizado outro refrigerante, a definição do refrigerante tem de ser alterada. O Parâmetro r12 tem de ser definido para 0 antes (interruptor geral do software= desligado).

- Prima o botão superior durante alguns segundos. Aparece a coluna com os códigos do parâmetro.
- Prima o botão superior ou inferior para encontrar o código do parâmetro o30.
- Prima o botão central até que o valor deste parâmetro seja indicado.
- Prima o botão superior ou inferior para seleccionar o novo valor: 2 = R22, 3 = R134a, 13 = R513A, 17 = R507, 19 = R404A, 20 = R407C, 21 = R407A, 37 = R407F, 40 = R448A, 41 = R449A, 42 = R452A
- Prima o botão central para confirmar o valor seleccionado.

10 – Verificação antes do arranque

⚠ Utilize os dispositivos de segurança, tais como o pressóstato de segurança e a válvula mecânica de descarga, em conformidade com os regulamentos e padrões de segurança geralmente e localmente aplicáveis. Assegure-se de que estão operacionais e ajustados correctamente.

⚠ Verifique que os ajustes dos pressóstatos de alta pressão e as válvulas de descarga não excedem a pressão de serviço máxima de qualquer componente de sistema.

- Verifique se todas as ligações eléctricas estão correctamente apertadas e em conformidade com os regulamentos locais.
- Quando é necessária uma resistência de cárter, a unidade tem de ser energizada pelo menos 12 horas antes do arranque inicial e tem de arrancar após um encerramento prolongado para as resistências de cárter com correia.
- A unidade está equipada com um interruptor principal com protecção de sobrecarga. A protecção de sobrecarga é predefinida na fábrica mas recomenda-se que verifique o valor antes de colocar a unidade em funcionamento. O valor da protecção de sobrecarga encontra-se no esquema eléctrico colocado na porta dianteira da unidade.

11 – Arranque

- Nunca arranque a unidade sem estar carregada com refrigerante.
- Todas as válvulas de serviço deverão estar na posição aberta.
- A válvula Rotalock do recetor deve ser rodada 1 vez na direcção de fecho para obtenção da pressão de condensação correcta para o transmissor de pressão.
- Verifique a conformidade entre a unidade e a fonte de alimentação.
- Verifique que a resistência de cárter está a funcionar.
- Verifique que o ventilador pode rodar livremente.

- Verifique que a folha de protecção foi removida da parte posterior do condensador.
- Equilibre as pressões HP/LP.
- Arranque a unidade. Deve arrancar de imediato. Se o compressor não arrancar, verifique o estado dos cabos e a tensão nos terminais.
- A rotação invertida de um compressor trifásico pode ser detectada através dos seguintes fenómenos; o compressor não acumula pressão, possui um nível sonoro anormalmente alto e um consumo energético anormalmente baixo. Se tal ocorrer, desligue a unidade imediatamente e ligue as fases aos terminais adequados.
- Se a direcção da rotação for a correcta, o indicador de baixa pressão do controlador (ou o manómetro de baixa pressão) irá mostrar uma diminuição de pressão e o indicador de alta pressão (ou o manómetro de alta pressão) irá apresentar um aumento de pressão.

12 – Verificações com a unidade em funcionamento

- Verifique a direcção da rotação do ventilador. O ar deve fluir do condensador para o ventilador.
- Verifique o consumo de corrente e a tensão.
- Verifique o sobreaquecimento na aspiração para reduzir o risco de golpes de líquido.
- Se existe no sistema um visor de líquido, observe o nível do óleo no início e durante o funcionamento para confirmar que este permanece visível.
- Respeite os limites de funcionamento.
- Verifique se existe alguma vibração anormal nas tubagens. Movimentos que excedam 1,5 mm necessitam de medidas de correcção, como a instalação de abraçadeiras.
- Quando necessário, poderá ser adicionado algum refrigerante extra em estado líquido no lado de baixa pressão, o mais longe possível do compressor. O compressor deverá estar em funcionamento durante este processo.
- Não sobrecarregue o sistema.
- Siga os regulamentos locais para recolher o refrigerante da unidade.
- Nunca liberte refrigerante na atmosfera.
- Antes de abandonar o local da instalação, leve a cabo uma inspecção geral da instalação com incidência na limpeza, ruído e detecção de fugas.
- Registe o tipo e a quantidade da carga de refrigerante, assim como as condições de funcionamento, como referência para futuras inspecções.

13 – Funcionamento de emergência sem controlador

Caso o controlador avarie, a unidade de condensação continua a poder ser utilizada se a cablagem padrão do controlador (imagem 4) for modificada para uma cablagem temporária (imagem 5) conforme descrito abaixo.

⚠ Esta modificação apenas pode ser efectuada por um electricista autorizado. Deve ser respeitada a legislação nacional.

⚠ Desligue a unidade de condensação da fonte de alimentação (desligue o interruptor principal do equipamento).

- Deve ser possível estabelecer contacto com o termóstato ambiente para fornecer 250 V CA.
- Remova o cabo 22 (entrada de segurança DI3) e o cabo 24 (termóstato ambiente DI1) e junte-os com uma ponte terminal isolada de 10 mm² com 250 V ca.
- Remova o fio 25 (termóstato ambiente DI1) e o fio 11 (alimentação do compressor) e, em

seguida, una-os com uma ponte de terminais isolada de 250 VCA de 10 mm².

- Remova o fio 6 e ligue-o à ponte de terminais para o fio 11 e 25. Um interruptor de pressão do ventilador ou um controlador de velocidade do ventilador podem ser ligados em série ao fio 6.
- Remova o fio 14 (resistência do cárter) e ligue-o ao terminal 22 do contactor do compressor.
- Remova o fio 12 (alimentação da resistência de cárter), aumente este fio utilizando uma ponte de terminais de 250 Vca de 10mm² e um cabo castanho de 1,0 mm² e, em seguida, ligue-o ao terminal 21 do contactor do compressor
- Remova da régua grande os terminais 10 a 19 do controlador.
- Ligue a unidade de condensação à fonte de alimentação (ligue o interruptor principal do equipamento).

14 – Manutenção

⚠ Desligue sempre a unidade no interruptor geral antes de abrir a(s) porta(s) do ventilador.

⚠ A pressão interna, assim como a temperatura da superfície constituem um perigo e poderão provocar lesões permanentes. Os operadores de manutenção e instaladores necessitam dos conhecimentos e ferramentas adequadas. A temperatura das tubagens poderá exceder os 100 °C e provocar queimaduras severas.

⚠ Assegure-se de que são executadas inspecções de manutenção periódicas, com o objectivo de assegurar a fiabilidade do sistema, no cumprimento dos regulamentos locais.

Para impedir problemas derivados do sistema, recomenda-se levar a cabo periodicamente as seguintes tarefas de manutenção:

- Verifique que os dispositivos de segurança se encontram operacionais e correctamente ajustados.
- Assegure-se da ausência de fugas no sistema.
- Verifique o consumo de corrente do compressor.
- Confirme que o sistema está a funcionar de uma forma consistente com anteriores registos de manutenção e condições ambientais.
- Verifique que todas as ligações eléctricas ainda se encontram correctamente apertadas.
- Mantenha a unidade limpa e constata a ausência de ferrugem e oxidação nos componentes da unidade, tubos e ligações eléctricas.

O condensador deve ser verificado pelo menos uma vez por ano relativamente a obstruções e limpeza, se considerado necessário. O acesso ao interior do condensador é efectuado através da porta do ventilador. As baterias de microcanais têm a tendência de acumular sujidade na superfície em vez de no interior, o que facilita a sua limpeza em comparação com as baterias de tubo e aletas.

- Desligue a unidade no interruptor geral antes de abrir a porta do ventilador.
- Remova a sujidade na superfície, folhas, fibras, etc. com um aspirador, equipado com uma escova ou outro anexo suave. Em alternativa, injecte ar comprimido através da bateria do interior para fora, e escove com um instrumento com cerdas suaves. Não utilize uma escova metálica. Não bata nem arranhe a bateria com o tubo do aspirador ou com o bocal de ar.
- Antes de fechar a porta do ventilador, rode a pá do ventilador para a posição apresentada

Instruções

na imagem 6 de forma a evitar que a porta atinja o ventilador.

Se o sistema de refrigeração tiver sido aberto, terá de ser limpo com ar seco ou nitrogénio para eliminar a humidade e terá de ser instalado um novo filtro secador. Se tiver de ser efectuada uma evacuação do refrigerante, esta será feita de modo a que nenhum refrigerante possa escapar para o ambiente.

15 – Declaração de conformidade

•Diretiva sobre equipamentos sob pressão 2014/68/EU EN 378-2:2016 - Sistemas de refrigeração e bombas térmicas - Requisitos de segurança e ambientais-Partes 2: Projeto, construção, testes, marcação e documentação

Diretiva sobre material elétrico de baixa tensão 2014/35/EU EN 60335-1:2012 + A11:2014- Aparelhos elétricos domésticos e similares -Parte 1: Requisitos gerais-para todas as unidades de condensação supra mencionadas Diretiva sobre

eco-design 2009/125/ EC, estabelecimento de um enquadramento para a definição dos requisitos de eco-design para produtos relacionados com energia.

REGULAMENTO (UE) 2015/1095, que implementa a Diretiva sobre eco-design 2009/125/EC relativamente aos requisitos de eco-design para compartimentos de armazenamento refrigerado profissionais, compartimentos de jateamento, unidades condensadoras e refrigeradores de líquido aplicados em processos de produção.

• As medições das unidades condensadoras são realizadas de acordo com a norma «EN 13771-2:2007» – Compressores e unidades condensadoras para testes de desempenho da refrigeração e métodos de testes- parte 2: Unidades condensadoras

16 - Garantia

Indique sempre o modelo e o número de série em qualquer reclamação relativa a este produto.

A garantia do produto poderá ser anulada nos seguintes casos:

- Ausência da placa de características.
- Modificações externas; em particular, perfurações, soldaduras, pés partidos e marcas de choques.
- Abertura do compressor ou a devolução do mesmo sem os cuidados necessários.
- Presença de ferrugem, água ou tinta de deteção de fugas no interior do compressor.
- Uso de um refrigerante ou lubrificante não aprovado pela Danfoss.
- Qualquer desvio em relação às instruções recomendadas relativas à instalação, aplicação ou manutenção.
- Utilização em aplicações móveis.
- Utilização em atmosferas explosivas.
- Omissão do modelo ou número de série na reclamação de garantia.

17 – Eliminação



A Danfoss recomenda que as unidades de condensação e o óleo nelas contido sejam reciclados por uma empresa apta para tal e nas suas instalações.

Instructies

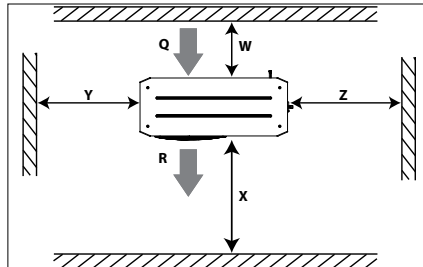
Optyma™ Plus

OP-LPQM, OP-MPYM, OP-MPXM,
OP-MPGM, OP-MPBM

Typeskilt

A	OP-MPXM034MLP00G	 MADE IN INDIA
B	114X4261	
C	Application MBP	IP 54
D	Refrigerant (1) R404A R507 R448A/R449A	(2) R134a
E	M.W.P. HP (1) 28 bar	(2) 23 bar
	M.W.P. LP (1) 7 bar	(2) 5 bar
F	Voltage 230 V ~ 1N ~ 50Hz	MCC 19 A
	LRA 60 A	
	OIL INSIDE POE 46	
G	Serial No. 123456CG2816	
	EAN No. XXXXXXXXXXXXX	

Danfoss A/S, 6450 Nordborg, Denmark



Afbeelding 1: Minimale plaatsingsafstand

Q: Luchtaanvoer

R: Luchtafvoer

Apparaat	W [mm]	X [mm]	Y [mm]	Z [mm]
Behuizing 1 (Codenummer 114X31- of 114X41-)	250	550	456	456
Behuizing 2 (Codenummer 114X32- of 114X42-)	250	650	530	530
Behuizing 3 (Codenummer 114X33- of 114X43-)	250	760	581	581
Behuizing 4 (Codenummer 114X34- of 114X44-)	250	900	700	700



⚠ De koelgroep mag uitsluitend worden gebruikt waarvoor hij is ontworpen en binnen het toepassingsbereik.

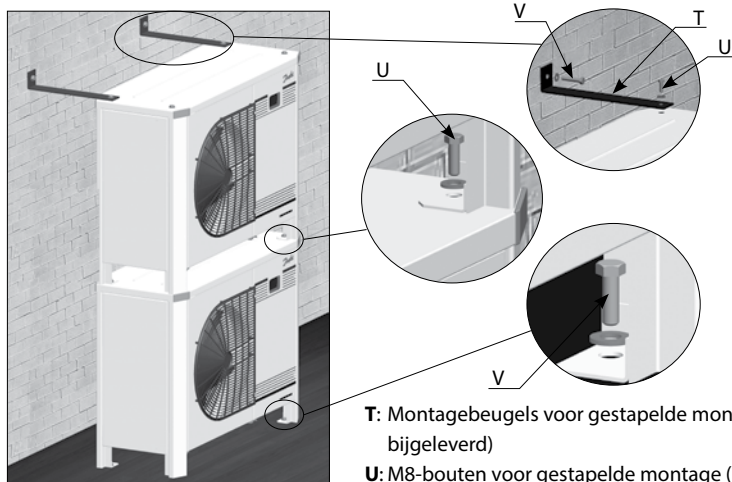
⚠ De voorwaarden van EN378 (of van andere toepasselijke lokale veiligheidsvoorschriften) moeten onder alle omstandigheden worden nageleefd.

De koelgroep wordt geleverd met stikstofgas onder druk (1 bar) en mag daarom niet met een worden aangesloten; raadpleeg het deel "Installatie" voor meer informatie.

Ga steeds voorzichtig om met de koelgroep in verticale positie (maximale uitwijking van de verticale positie: 15°)

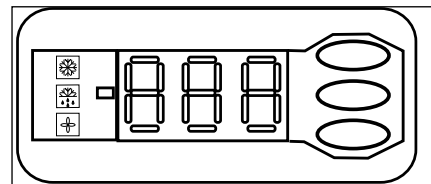
⚠ **Installatie en onderhoud van de koelgroepen mag alleen worden uitgevoerd door deskundig personeel. Volg deze instructies en erkende koelpraktijken met betrekking tot de installatie, de gebruiknaam, het onderhoud en de bediening.**

- A:** Model
- B:** Codenummer
- C:** Toepassing, Beschermingsgraad
- D:** Koelmiddel
- E:** Beschermingsgraad
- F:** Voedingsspanning, stroom bij geblokkeerde motor, maximaal stroomverbruik
- G:** Serienummer en streepjescode



Afbeelding 2: Gestapelde montage

- T:** Montagebeugels voor gestapelde montage (niet bijgeleverd)
- U:** M8-bouten voor gestapelde montage (bijgeleverd)
- V:** Montagebouten (niet bijgeleverd)



Afbeelding 3: Elektronisch controllerscherm

- Compressor ingeschakeld
- Carterverwarming aan
- Ventilator draait

⏸ Temperatuurwaarde voor de zuigdruk. Druk op de onderste knop om over te schakelen naar de temperatuurwaarde voor de condensatiedruk.



Afbeelding 4: Normale bekabeling



Afbeelding 5: Tijdelijke bekabeling

Instructies

1 – Inleiding

Deze instructies zijn van toepassing op de Optyma™ Plus-koelgroepen OP-LPHM, OP-MPYM, OP-MPXM, OP-MPGM, OP-MPQM, OP-LPQM en OP-MPBM die gebruikt worden voor koelsystemen. U vindt er de nodige informatie over de veiligheid en het correct gebruik van dit product.

De koelgroep bevat de volgende onderdelen:

- Warmtewisselaar met microkanalen
- Zuiger- of scrollcompressor
- Vloeistofvat met afsluiter
- Kogelafsluiters
- Kijkglas
- Hoge- en lagedrukschakelaars
- Vervangbare filterdroger
- Elektronische controller
- Hoofdstroomonderbreker (hoofdschakelaar met overbelastingsbeveiliging)
- Ventilator- en compressorcondensatoren
- Compressorschakelaar
- Stevige weerbestendige behuizing

2 – Hanteren en opbergen

- Wij raden u aan de verpakking pas te openen als het apparaat zich in de ruimte bevindt waar u het wilt installeren.
- Ga voorzichtig om met het apparaat. Door de verpakking is het mogelijk om een vorkheftruck of palletwagen te gebruiken. Gebruik geschikte en veilige hefapparatuur.
- Bewaar en transporteer het apparaat rechtopstaand.
- Bewaar het apparaat tussen -35°C en 50°C.
- Stel de verpakking niet bloot aan regen of een bijtende omgeving.
- Controleer na het uitpakken of het apparaat volledig en onbeschadigd is.

3 – Voorzorgsmaatregelen bij de installatie

⚠ Gebruik het apparaat nooit in een ontvlambare atmosfeer.

⚠ Plaats het apparaat zodat het geen wandelzones, deuren, ramen en dergelijke blokeert of hindert.

- Zorg voor voldoende ruimte rond het apparaat voor luchtcirculatie en om deuren te kunnen openen. Zie afbeelding 1 voor de minimale afstanden tussen het apparaat en een muur.
- Vermijd installatie van het apparaat op een locatie waar het dagelijks langdurig wordt blootgesteld aan direct zonlicht.
- Vermijd installatie van het apparaat in corrosieve en stoffige omgevingen.
- Zorg voor een vlakke ondergrond (helling van minder dan 3°) die sterk en stabiel genoeg is om het gewicht van het apparaat te dragen en trillingen en storingen te elimineren.
- De omgevingstemperatuur rond het apparaat mag nooit meer dan 50°C bedragen tijdens de uit-cyclus.
- Zorg ervoor dat de voeding overeenkomt met de eigenschappen van het apparaat (zie naamplaatje).
- Gebruik bij de installatie van apparatuur voor HFC-koelmiddelen uitsluitend apparatuur die geschikt is voor HFC-koelmiddelen en die nog nooit werd gebruikt voor CFC- of HCFC-koelmiddelen.
- Gebruik schone en droge koperbuizen en soldeermateriaal van zilverlegering geschikt voor gebruik in koelsystemen.

- Gebruik schone en droge systeemonderdelen.
- De zuigleiding die wordt aangesloten op de compressor moet flexibel zijn in 3 richtingen om trillingen te dempen. De leidingen moeten bovendien worden geïnstalleerd zodat de olie goed terugkeert naar de compressor en het risico op vloeistofslag in de compressor geëlimineerd wordt.

4 – Installatie

- De installatie waarin de koelgroep geplaatst wordt, moet beantwoorden aan de Richtlijn drukapparatuur (PED) nr. 97/23/EG.
- Wij raden u aan het apparaat op rubberen voetjes of trillingsdempers te plaatsen (niet bijgeleverd).
- Het is mogelijk om apparaten op elkaar te stapelen.

Apparaat	Maximale stapel
Behuizing 1 (Codenummer 114X31-- of 114X41--)	3
Behuizing 2 (Codenummer 114X32-- of 114X42--)	2
Behuizing 3 (Codenummer 114X33-- of 114X43--)	2
Behuizing 4 (Codenummer 114X34-- of 114X44--)	2

- Bij het stapelen moeten het bovenste apparaat aan de muur worden bevestigd (zie afbeelding 2).
- Laat langzaam de beschermende stikstofvulling vrij via het schraderventiel.
- Sluit het apparaat zo snel mogelijk aan op het systeem om vervuiling van de olie door vocht in de lucht te voorkomen.
- Zorg er bij het snijden van de buizen voor dat er geen materiaal in het systeem terechtkomt. Boor nooit gaten op plaatsen waar de bramen niet kunnen worden verwijderd.
- Soldeer voorzichtig door gebruik te maken van de modernste technieken en ventileer de leiding met stikstofgas.
- Sluit de vereiste veiligheids- en controleapparaten aan. Als hiervoor het schraderventiel wordt gebruikt, verwijdert u de interne klep.
- Wij raden u aan de zuigleiding te isoleren met isolatiemateriaal van 19 mm dik tot aan de compressorangang.

5 – Lekdetectie

⚠ Zet het circuit nooit onder druk met zuurstof of droge lucht. Dat kan brand of een ontploffing veroorzaken.

- Gebruik geen kleurstof voor lekdetectie
- Voer een lekdetectietest uit op het volledige systeem
- De maximale testdruk bedraagt 31^{*)} bar.
- Als er een lek wordt ontdekt, moet dat lek worden hersteld en moet de lekdetectie worden herhaald.

^{*) 25 bar for OP-.....AJ-.... & OP-.....FH-.... modeller}

6 – Vacuümdroging

- Gebruik de compressor nooit om het systeem leeg te maken.
- Sluit een vacuümpomp aan op zowel de LP- als de HP-zijde.
- Laat de druk van het systeem zakken tot een vacuüm van 500 µm Hg (0,67 mbar) absoluut.
- Gebruik geen megger en zet de compressor niet onder stroom terwijl deze vacuüm is aangezien dat interne schade kan veroorzaken.

7 – Elektrische aansluitingen

- Schakel de hoofdvoeding uit en koppel deze volledig los.
- Zorg ervoor dat de voeding niet kan ingeschakeld worden tijdens de installatie.
- Alle elektrische onderdelen moeten worden gekozen op basis van de lokale normen en apparaatvereisten.
- Raadpleeg het bedradingsschema voor meer informatie over de elektrische aansluitingen.
- Zorg ervoor dat de voeding afgestemd is op de eigenschappen van het apparaat en dat de voeding stabiel is (nominaal voltage $\pm 10\%$ en nominale frequentie $\pm 2,5$ Hz)
- Kies voor de geschikte voedingskabels op basis van de apparaatgegevens voor het voltage en de stroom.
- Beveilig de voeding en zorg voor een correcte aarding.
- Zorg ervoor dat de voeding afgestemd is op de lokale normen en wettelijke vereisten.
- De eenheid is uitgerust met een elektronische regelaar. Raadpleeg de handleiding RS-8GDxxx voor meer informatie.
- Het apparaat is uitgerust met een hoofdschakelaar met overbelastingsbeveiliging. De overbelastingsbeveiliging is standaard ingeschakeld. Wij raden u echter aan deze waarde te controleren vooraleer u het apparaat in gebruik neemt. U vindt de waarde voor de overbelastingsbeveiliging terug op het bedradingsschema op het voorpaneel van het apparaat.
- Het apparaat is uitgerust met hoge- en lagedrukschakelaars, die in geval van activering de voeding naar de compressor onmiddellijk afsluit. De parameters voor hoge- en lagedrukonderbrekingen zijn voorgeprogrammeerd in de controller en zijn aangepast aan de compressor die in het apparaat is geïnstalleerd.

Voor apparaten met een driefasige scrollcompressor (OP-MPXMxxxxxxxE) moet een correcte fasesequentie voor de draairichting van de compressor in acht genomen worden.

- Bepaal de fasesequentie met behulp van een fasemeter om de fasevolgorde van de lijnfases L1, L2 en L3 te bekomen.
- Verbind lijnfases L1, L2 en L3 respectievelijk met hoofdschakelaarsaansluitingen T1, T2 en T3.

8 – Het systeem vullen

- Start de compressor nooit terwijl deze vacuüm is. Laat de compressor uitgeschakeld.
- Gebruik uitsluitend het koelmiddel waarvoor het apparaat is bestemd.
- Vul koelmiddel in vloeibare fase in de condensor- of vloeistofopening. Zorg voor een trage vulling van het systeem tot 4-5 bar voor R404A/R448A/R449A/R407A/R407F/R452A en tot ong. 2 bar voor R134a, R513A.
- De resterende vulling wordt uitgevoerd tot de installatie een stabiel nominaal niveau heeft bereikt tijdens de werking.
- Laat de vulcilinder nooit aangesloten op het circuit.

9 – De elektronische controller instellen

- Het apparaat is uitgerust met een elektronische controller die voorgeprogrammeerd is met parameters die geschikt zijn voor gebruik met het apparaat. Raadpleeg de handleiding RS8GDXXX voor meer informatie.
- Het scherm van de elektronische controller toont standaard de temperatuurwaarde voor

Instructies

de aanzuigdruk in °C. Druk op de onderste knop (afbeelding 3) om de temperatuurwaarde voor de condensatiedruk weer te geven.

De elektronische regelaar is in de fabriek ingesteld voor R404A of R449A of R452A of R134a, afhankelijk van het model van de gemonteerde compressor en toepassing (zie de bijlage in de installatiehandleiding van de Optyma Controller). Als een ander koelmiddel wordt gebruikt, moet de koelmiddelinstelling worden gewijzigd. Parameter r12 moet eerst worden ingesteld op 0 (hoofdschakelaar software = uit).

- Hou de bovenste knop enkele seconden ingedrukt. De kolom met parametercodes verschijnt.
- Druk op de bovenste of onderste knop om parametercode o30 te zoeken.
- Druk op de middelste knop tot de waarde voor deze parameter wordt weergegeven.
- Druk op de bovenste of onderste knop om de nieuwe waarde te selecteren: 2 = R22, 3 = R134a, 13 = R513A, 17 = R507, 19 = R404A, 20 = R407C, 21 = R407A, 37 = R407F, 40 = R448A, 41 = R449A, 42 = R452A.
- Druk op de middelste knop om de geselecteerde waarde te bevestigen.

10 – Controle voor ingebruikname

△ Gebruik veiligheidsapparatuur zoals een drukschakelaar en een mechanische veiligheidsklep in overeenstemming met de algemene en plaatselijke voorschriften en veiligheidsnormen. Zorg ervoor dat deze apparatuur actief is en correct is ingesteld. △ Controleer of de instellingen van hogedrukschakelaars en veiligheidskleppen niet hoger zijn dan de maximale werkdruk van de systeemonderdelen.

- Controleer of alle elektrische verbindingen correct zijn doorgevoerd en voldoen aan de plaatselijke regelgeving.
- Als er een carterverwarming moet worden gebruikt, moet de eenheid minstens 12 uur voor de eerste opstart of opstart na langdurige stilstand onder stroom worden gezet voor carterverwarmingen met riem.
- Het apparaat is uitgerust met een hoofdschakelaar met overbelastingsbeveiliging. De overbelastingsbeveiliging is standaard ingeschakeld. Wij raden u echter aan deze waarde te controleren vooraleer u het apparaat in gebruik neemt. U vindt de waarde voor de overbelastingsbeveiliging terug op het bekabelingsschema op het voorpaneel van het apparaat.

11 – Opstarten

- Start het apparaat nooit wanneer er geen koelmiddel is gevuld.
- Alle kleppen moeten in de open positie staan.
- Het Rotalock-ventiel op het vloeistofvat moet 1 volledige slag in de close-richting worden gedraaid om de juiste condensatiedruk voor de druktransmitter te krijgen.
- Zorg ervoor dat het apparaat en de voeding op elkaar afgestemd zijn.
- Controleert of de carterverwarming werkt.
- Controleer of de ventilator ongehinderd kan draaien.
- Controleer of de beschermingsfolie is verwijderd van de achterzijde van de condensor.
- Breng de HP/LP-druk in evenwicht.
- Bij het aanzetten van het apparaat moet deze

meteen starten. Als de compressor niet start, controleer dan de bedrading en de spanning op de aansluitingen.

- Een eventuele omgekeerde draairichting van een driefasige compressor kan worden gedetecteerd aan de hand van de volgende kenmerken: de druk in de compressor neemt niet toe, de compressor maakt abnormaal veel lawaai en de compressor verbruikt abnormaal weinig energie. Schakel in dat geval het apparaat onmiddellijk uit en sluit de fases aan op de correcte aansluitingen.
- Als de draairichting correct is, geeft de lagedruk-aanduiding op de controller (of de lagedrukmeter) een afnemende druk weer en geeft de hogedrukaanduiding (of de hogedrukmeter) een toenemende druk weer.

12 – Controleren met het apparaat ingeschakeld

- Controleer de draairichting van de ventilator. De lucht moet via de condensor naar de ventilator stromen.
- Controleer het stroomverbruik en voltage.
- Controleer op oververhitting van de afzuiging om het risico op vloeistofslag te verminderen.
- Als er een kijkglas voorzien is, bekijk dan het olieniveau aan het begin en tijdens de werking om te controleren of het olieniveau zichtbaar blijft.
- Respecteer de werkingslimieten.
- Controleer alle buizen op abnormale trillingen. Bewegingen van meer dan 1,5 mm moeten worden gecorrigeerd, bijvoorbeeld met leidingbeugels.
- Voeg indien nodig extra koelmiddel toe in vloeibare toestand aan de lagedrukszijde, zo ver mogelijk van de compressor verwijderd. De compressor moet draaien tijdens dit proces.
- Overlaad het systeem niet.
- Følg de lokale bestemmelse for aftapning af kølemidler fra enhed.
- Laat nooit koelmiddel ontsnappen in de atmosfeer.
- Voer een algemene inspectie uit van de installatie voordat u de locatie verlaat en controleer op netheid, lawaai en lekken.
- Noteer het type en de hoeveelheid koelmiddel en ook de werkomstandigheden als referentie voor toekomstige inspecties.

13 – Noodwerking zonder controller

Als de controller het begeeft, kunt u de koelgroep blijven gebruiken als u de standaardbedrading voor de controller (afbeelding 4) wijzigt naar een tijdelijke bedrading (afbeelding 5), zoals hieronder wordt weergegeven.

△ Deze aanpassing mag alleen door bevoegde elektriciens worden uitgevoerd. Houd rekening met de geldende wetgeving.

△ Koppel de voeding van de koelgroep los (zet de hoofdschakelaar van de hardware uit).

- Contact met de kamerthermostaat moet mogelijk zijn om over te schakelen naar 250 Vac.
- Koppel kabel 22 (veiligheidsingang DI3) en kabel 24 (kamerthermostaat DI1) los en breng deze samen met een geïsoleerde aansluitingsbrug van 250 Vac 10 mm².
- Verwijder kabel 25 (kamerthermostaat DI1) en kabel 11 (compressorvoeding) en breng ze samen met een geïsoleerde aansluitbrug van 250 V AC, 10 mm².
- Koppel kabel 6 los en sluit hem aan op de aansluitbrug voor kabels 11 en 25. Er kan een ventilatordrukschakelaar of een toerenregelaar voor de ventilator in serie worden aangeslo-

ten op kabel 6.

- Koppel kabel 14 los (carterverwarming) en verbind hem met de compressorschakelaar op aansluiting 22.
- Koppel kabel 12 los (voeding van de carterverwarming), verleng deze kabel door middel van een aansluitbrug van 250 V AC, 1,0 mm² en een bruine kabel van 1,0 mm² en verbind hem met de compressorschakelaar op aansluiting 21
- Verwijder het grote aansluitingsblok van de controlleraansluitingen 10 tot 19.
- Schakel de voeding van de koelgroep in (zet de hoofdschakelaar van de hardware aan).

14 – Onderhoud

△ Schakel de eenheid altijd uit met de hoofdschakelaar voordat u de ventilatordeur (s) opent.

△ De interne druk en oppervlaktetemperatuur zijn gevaarlijk en kunnen permanente letsels veroorzaken. Onderhoudstechnici en installateurs moeten over de juiste vaardigheden en het juiste materiaal beschikken. De leidingtemperatuur kan meer dan 100°C bedragen en ernstige brandwonden veroorzaken.

△ Zorg voor periodieke onderhoudsinspecties om de betrouwbaarheid van het systeem te garanderen en te voldoen aan de plaatselijke voorschriften.

Om systeemgerelateerde problemen te voorkomen, wordt het volgende periodieke onderhoud aanbevolen:

- Controleren of veiligheidsapparaten werken en correct zijn ingesteld.
- Het systeem controleren op lekken.
- Het stroomverbruik van de compressor controleren.
- Controleren of het systeem werkt op een manier die vergelijkbaar is met vorige onderhoudsverslagen en de omgevingsomstandigheden.
- Controleren of alle elektrische aansluitingen goed zijn bevestigd.
- Het apparaat schoon houden en controleren of er geen roest en oxidatie aanwezig is op de onderdelen van het apparaat, de buizen en de elektrische verbindingen.

De condensor moet minstens één keer per jaar gecontroleerd worden op verstoppingen en moet indien nodig gereinigd worden. U krijgt toegang tot de binnenkant van de condensor door de ventilatordeur te openen. De warmte-wisselaars met microkanalen raken eerder aan de buitenzijde bestoft, waardoor deze gemakkelijker te reinigen zijn dan warmte-wisselaars met vinnen.

- Schakel de eenheid uit met de hoofdschakelaar voordat u de ventilatordeur opent.
- Verwijder stof, bladeren en ander vuil met een stofzuiger waaraan een borstel of een andere zacht opzetstuk bevestigd is. U kunt ook langs de binnenzijde perslucht door de spoelen blazen en deze schoonvegen met een zachte borstel. Gebruik hiervoor geen draadborstel. Zorg ervoor dat u niet tegen de spoel stoot met de buis van de stofzuiger of de mond van de luchtblazer.
- Voor u de ventilatordeur sluit, draait u de ventilator naar de positie die weergegeven wordt

Instructies

in afbeelding 6 om te vermijden dat de deur tegen de ventilator stoot.

Als het koelsysteem geopend werd, moet het worden gespoeld met droge lucht of stikstof om vocht te verwijderen, en moet er een nieuwe filterdroger worden geïnstalleerd. Als het koelmiddel afgelaten moet worden, dient dit te gebeuren zodat er geen koelmiddel kan ontsnappen.

15 – Overensstemmingsverklaring

• **Trykregulatief (Pressure Equipment Directive) 2014/68/EU EN 378-2:2016** - Kølssystemer og varmepumper – Sikkerheds- og miljømæssige krav - Del 2: Design, konstruktion, tests, mærkning og dokumentation

Lavspændingsdirektivet 2014/35/EU EN 60335-1:2012 + A11:2014- Elektriske apparater til husholdningsbrug o.l. – Sikkerhed – Del 1: Generelle krav for alle ovennævnte kondenseringsaggregater

Ecodesign-DIREKTIV 2009/125/EF om rammerne for fastlæggelse af krav til miljøvenligt design af energirelaterede produkter.

KOMMISSIONENS FORORDNING (EU) 2015/1095 om gennemførelse af Europa-Parlamentets og Rådets direktiv 2009/125/EF for så vidt angår krav til miljøvenligt design for professionelle lagerkølskabe/lagerfryseskabe, blæstkølere/frysere, kondenseringsaggregater og væskkølere til proceskøling.

• Kondenseringsaggregatmålinger er udført i henhold til standarden EN 13771-2:2007 – Kompressor og kondenserende enheder til køling – Ydeevneprøvning og prøvningsmetoder – Del 2: Condensing units

16 - Waarborg

Vermeld altijd het modelnummer en serienummer bij het indienen van een claim over dit product. De productwaarborg kan in de volgende gevallen vervallen:

- Afwezigheid van het naamplaatje
- Externe wijzingen; in het bijzonder, boren, lassen, gebroken steunvoet en schokmarkeringen
- Compressor werd geopend of onverzegeld teruggestuurd
- Roest, water of lekdetectiekleurstof in de compressor
- Gebruik van een koelmiddel of smeermiddel dat niet door Danfoss is goedgekeurd.
- Afwijkingen van de aanbevolen installatie-, bedienings- of onderhoudsinstructies
- Gebruik voor mobiele toepassingen
- Gebruik in een omgeving met een explosieve atmosfeer
- Geen modelnummer of serienummer vermeld op de waarborgclaim

17 – Verwijdering



Danfoss raadt aan koelgroepen en olie te recyclen in en door een erkend bedrijf.

Ohjeet

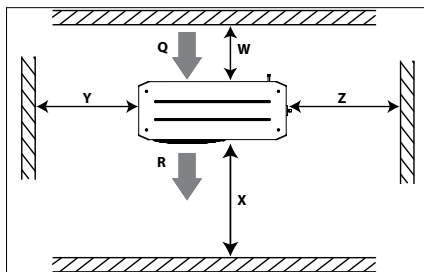
Optyma™ Plus

OP-LPQM, OP-MPYM, OP-MPXM,
OP-MPGM, OP-MPBM

Nimikilpi

A	OP-MPXM034MLP00G	 MADE IN INDIA
B	114X4261	
C	Application MBP	IP 54
D	Refrigerant (1) R404A/R507/R448A/R449A R407A/R407F/R452A	(2) R134a R513A
E	M.W.P. HP (1) 28 bar	(2) 23 bar
	M.W.P. LP (1) 7 bar	(2) 5 bar
F	Voltage 230 V ~ 1N ~ 50Hz	
	LRA 60 A	MCC 19 A
	OIL INSIDE POE 46	
G	Serial No. 123456CG2816	
	EAN No. XXXXXXXXXXXXXXX	

Danfoss A/S, 6430 Nordborg, Denmark



Kuva 1: Pienimmät sallitut asennusetäisyydet

Q: Ilma sisään

R: Ilma ulos

Yksikkö	W [mm]	X [mm]	Y [mm]	Z [mm]
Kotelo 1 (Koodinro 114X31- tai 114X41-)	250	550	456	456
Kotelo 2 (Koodinro 114X32- tai 114X42-)	250	650	530	530
Kotelo 3 (Koodinro 114X33- tai 114X43-)	250	760	581	581
Kotelo 34 (Koodinro 114X34- tai 114X44-)	250	900	700	700



⚠ Koneikkoa saa käyttää vain sille suunnitelluissa käyttökohteissa ja sallituissa käyttöolosuhteissa.

⚠ Kaikissa olosuhteissa on noudatettava SFS-EN 378 -standardin vaatimuksia tai muita voimassa olevia paikallisia turvallisuusmääräyksiä.

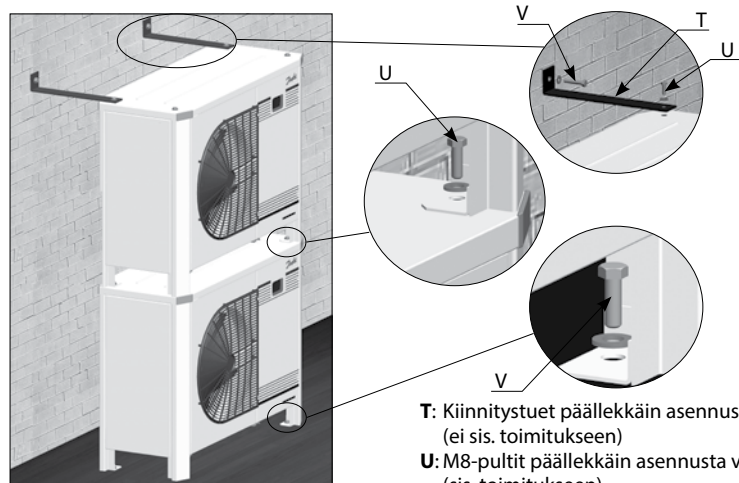
Koneikko toimitetaan typpikaasulla paineistettuna (paine 1 bar), eikä sitä siksi voi liittää suoraan. Lisätietoja on «asennus»-osiossa.

Koneikkoa on käsiteltävä varoen, ja se on pidettävä pystysuorassa (suurin sallittu poikkeama pystyasennosta: 15°)



Koneikkoja saavat asentaa ja huoltaa vain valtuutetut ammattilaiset. Noudata näitä ohjeita ja jäädytystekniikkaa koskevia ammattikäytäntöjä tuotteen asennuksessa, käyttöönotossa, kunnossapidossa ja huollossa.

- A: Malli
- B: Koodinnumero
- C: Sovellus, Suojaus
- D: Kylmäaine
- E: Maksimi käyttöpain
- F: Syöttöjännite, käynnistysvirta (LRA), suurin virrankulutus (MCC)
- G: Sarjanumero ja viivakoodi

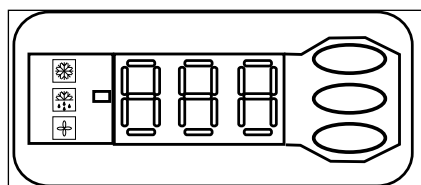


Kuva 2: Asennus päällekkäin

T: Kiinnitystuet päällekkäin asennusta varten (ei sis. toimitukseen)

U: M8-pultit päällekkäin asennusta varten (sis. toimitukseen)

V: Kiinnityspultit (ei sis. toimitukseen)



Kuva 3: Elektronisen säätimen näyttö



Kompressorin käynnissä



Kampikammion lämmitin päällä



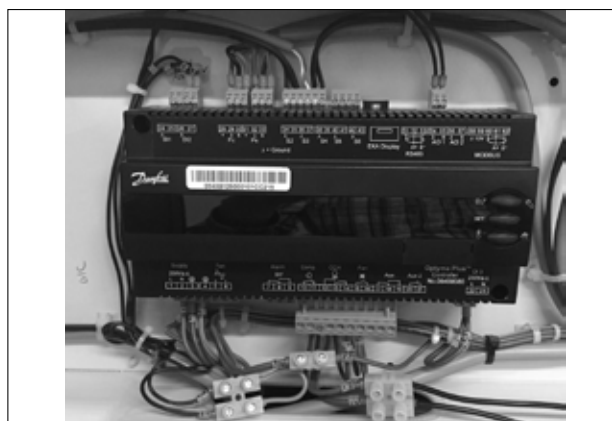
Puhallin päällä



Imupaineen lämpötila. Voit vaihtaa näyttöön lauhtumispaineen lämpötilan painiketta painamalla.



Kuva 4: Normaali johdotus



Kuva 5: Väliaikainen johdotus

Ohjeet

1 – Johdanto

Nämä ohjeet koskevat kylmäjärjestelmissä käytettäviä Optyma™ Plus -koneikkoja OP-LPHM, OP-MPYM, OP-MPXM, OP-MPGM, OP-MPQM OP-LPQM ja OP-MPBM. Ohjeet sisältävät riittävät tiedot tuotteen turvallista ja asianmukaista käyttöä varten.

Koneikko sisältää seuraavat komponentit:

- Mikrokanavalämmönsiirrin
- Mäntä- tai scroll-kompressori
- Nestesäiliö sulkuventtiilillä
- Palloventtiilit
- Nestelasi
- Korkea- ja matalapaine kytkimet
- Vaihdettava suodatinkuivain
- Elektroninen säädin
- Moottorisuojakytkin (ylikuormitusuojalla varustettu pääkytkin)
- Puhaltimen ja kompressorin kondensaattorit
- Kompressorin kontaktori
- Vankka säänkestävä kotelo

2 – Käsittely ja säilytys

- Suosittelemme, että avaat yksikön pakkauksen vasta lopullisella asennuspaikalla.
- Käsittele yksikköä varoen. Pakkausta voidaan siirtää haarukkatrukilla ja -vaunulla. Käytä vain asianmukaisia ja turvallisia nostolaitteita.
- Säilytä ja siirrä yksikköä pystyasennossa.
- Säilytä yksikköä -35 – +50 °C:n lämpötilassa.
- Varo altistamasta yksikköä ja pakkausmateriaaleja sateelle tai syövyttävälle olosuhteille.
- Tarkista pakkauksen avaamisen jälkeen, että yksikkö sisältää kaikki komponentit ja että yksikössä ei ole vaurioita.

3 – Asennuksen turvaohjeet

⚠ Älä koskaan käytä yksikköä ympäristössä, jossa on syttymisvaara.

⚠ Sijoita yksikkö niin, että se ei ole kulkureittien, ovien, ikkunoiden tms. edessä tai haittaa niiden käyttöä muilla tavoin.

- Varmista, että yksikön ympärille jää riittävästi tilaa ilmankiertoa ja luukkujen avaamista varten. Katso pienimmät sallitut etäisyydet siniin kuvasta 1.
- Vältä asentamasta yksikköä paikkaan, jossa se altistuu päivittäin pitkiksi ajoiksi suoralle aurin-gonpaisteelle.
- Vältä asentamasta yksikköä syövyttäviin tai pölyisiin tiloihin.
- Varmista, että asennusalue on vaakasuora (kaltevuus alle 3°) sekä riittävän vakaa ja tukeva kestämään koko yksikön painon ja estämään tärinän ja muut häiriöt.
- Yksikön ympäristön lämpötila ei saa nousta yli 50 °C:een seisontajakson aikana.
- Varmista, että virtalähde vastaa yksikön vaatimuksia (katso tyyppikilpi).
- Käytä HFC-kylmäaineita käyttävien yksiköiden

asennuksessa varusteita, jotka on nimenomaisesti tarkoitettu HFC-kylmäaineita varten ja joita ei ole koskaan käytetty CFC- tai HCFC-kylmäaineille.

- Käytä puhtaita ja täysin kuivia kylmäaineluokan kupariputkia ja hopeaseosta kovajuotoksiin.
- Käytä vain puhtaita ja täysin kuivia komponentteja.
- Kompressoriin kiinnitettävän imuputkiston on oltava joustava kolmeen suuntaan tärinän vaimentamiseksi. Lisäksi putkisto on asennettava niin, että öljyn paluu kompressoriin on varmistettu ja kompressorin nesteiskun riski on eliminoitu.

4 – Asennus

- Asennuksen, josta koneikko muodostaa osan, on täytettävä EU:n painelaitedirektiivin 97/23/EY vaatimukset. Koneikko itsessään ei ole direktiivin soveltamisalaan kuuluva "yksikkö".
- Suosittelemme asentamaan yksikön kumipuslia tai muita tärinänvaimentimia (ei sis. toimitukseen) käyttäen.
- Yksiköitä voidaan pinota päällekkäin.

Yksikkö	Yksiköitä päällekkäin enint.
Kotelo 1 (Koodinro 114X31-- tai 114X41--)	3
Kotelo 2 (Koodinro 114X32-- tai 114X42--)	2
Kotelo 3 (Koodinro 114X33-- tai 114X43--)	2
Kotelo 4 (Koodinro 114X34-- tai 114X44--)	2

- Päällekkäin asennettaessa on ylimmäinen yksikkö kiinnitettävä seinään kuvan 2 mukaisesti.
- Vapauta hitaasti typpikaasu huoltoventtiiliin kautta.
- Kytke yksikkö järjestelmään mahdollisimman pian, jottei öljy saastu ympäristön kosteudesta.
- Varo, ettei järjestelmään joudu vieraita materiaaleja, kun katkaiset putkia. Älä koskaan poraa reikiä kohtiin, joista ei voida poistaa purseita.
- Noudata kovajuotoissa suurta varovaisuutta, käytä uudenaikaista tekniikkaa ja puhdista putkisto typpikaasulla.
- Kytke tarvittavat varo- ja ohjauslaitteet. Jos siihen käytetään huoltoventtiililiitäntää, poista venttiilin sisäosa.
- Suosittelemme eristämään imuputken kompressorin tuloon asti 19 mm:n eristyksellä.

5 – Vuotojen tarkistus

⚠ Älä koskaan paineista järjestelmää hapella tai kuivatulla ilmalla. Se voi aiheuttaa tulipalo- tai räjähdysvaaran.

- Älä käytä väriainetta vuotojen etsimiseen.
- Suorita vuotojen tarkistustesti koko järjestelmälle.
- Suurin sallittu testauspaine on 31^{*)} bar.
- Kun löydät järjestelmästä vuodon, korjaa vuotoa ja suorita uusi testi.

*) 25 baaria; OP-.....AJ.... & OP-.....FH.... -mallit

6 – Tyhjiön muodostaminen

- Älä koskaan käytä kompressoria järjestelmän tyhjiöintiin.
- Kytke tyhjiöpumppu sekä korkea- että matalapainepuolelle.
- Tyhjennä järjestelmä niin, että absoluuttinen paine on alle 500 µm Hg (0,67 mbar).
- Älä käytä megaohmimittaria tai kytke kompressoriin virtaa tyhjiön alaisena, jottei kompressori vaurioidu.

7 – Sähkökytkennät

- Katkaise virta ja irrota järjestelmä päävirtalähteestä.
- Varmista, että virtalähdettä ei voida kytkeä päälle asennuksen aikana.
- Kaikki sähköosat on valittava paikallisten määräysten ja yksikköä koskevien vaatimusten mukaisesti.
- Katso sähkökytkentöjen yksityiskohtaiset tiedot johdotuskaaviosta.
- Varmista, että virtalähde vastaa yksikön tietoja ja että virtalähde on vakaa (nimellisjännite ± 10 % ja nimellistaajuus ± 2,5 Hz).
- Mitoita virransyöttökaapelit yksikön jännite- ja virta-arvojen mukaisesti.
- Huolehdi virtalähteen suojauksesta ja varmista asianmukainen maadoitus.
- Asenna virtalähde paikallisten määräysten ja muiden vaatimusten mukaisesti.
- Koneikko on varustettu elektronisella säätimellä. Katso tarkemmat tiedot ohjeesta RS8GDxxx.
- Yksikössä on ylikuormitusuojalla varustettu pääkytkin. Ylikuormitusuoja on esiasetettu tehtaalla, mutta suosittelemme arvon tarkistamista ennen yksikön käyttöä. Ylikuormitusuojan arvo on esitetty yksikön etuluukussa olevassa johdotuskaaviossa.
- Yksikkö on varustettu korkea- ja matalapainekytkimillä, jotka aktivoituessaan katkaisevat kompressorin virransyötön välittömästi. Korkea- ja matalapaineen raja-arvoparametrit on esiasetettu säätimeen, ja nämä parametrit on sovitettu yksikköön asennetun kompressorin mukaan.

Kolmivaiheisella scroll-kompressorilla (OP-MPXM xxxxxxxxE) varustettujen yksiköiden yhteydessä on huomioitava oikea vaihejärjestys kompressorin oikean pyörimissuunnan varmistamiseksi.

- Määritä vaihejärjestys L1, L2 ja L3 vaihemittarilla.
- Kytke vaiheet L1, L2 ja L3 pääkytkimen vastaviin liittimiin T1, T2 ja T3.

8 – Järjestelmän täyttäminen

- Älä koskaan käynnistä kompressoria tyhjiön alaisena. Pidä kompressorin virta katkaistuna.
- Käytä vain sitä kylmäainetta, jolle yksikkö on tarkoitettu.
- Täytä kylmäaine nestemäisenä lauhduttimeen tai nestesäiliöön. Täytä järjestelmä hitaasti paineeseen 4–5 bar (R404A/R448A/R449A/R407A/R407F/R452A) tai n. 2 bar (R134a, R513A).

Ohjeet

- Täyttöä jatketaan, kunnes järjestelmä toimii vaakaasti normaalin käytön aikana.
- Älä koskaan jätä täyttöpulloa kytketyksi piiriin.

9 – Elektronisen säätimen asetusten asettaminen

- Yksikkö on varustettu elektronisella säätimellä, johon on tehtaalla ohjelmoitu kyseisen yksikön yhteydessä käytettävät parametrit. Katso tarkemmat tiedot ohjeesta RS8GDXXX.
- Elektroninen säädin näyttää oletusarvoisesti imupaineen lämpötilan (°C). Jos haluat näyttöön lauhtumispaineen lämpötilan, paina alempaa painiketta (kuva 3).

Elektronisen säätimen tehdasasetus on R404A, R449A, R452A tai R134a riippuen koneikkoon asennetun kompressorin mallista ja käyttö-tarkoituksesta (katso lisätietoja Optyma-säätimen asennusohjeen liitteestä). Jos käytössä on jokin muu kylmäaine, kylmäaineasetus on vaihdettava. Parametri r12 on ensin asetettava arvoon 0 (ohjelman pääkytkin pois päältä).

- Paina ylempää painiketta pari sekuntia. Näyttöön tulee sarake, jossa on parametrikoodoja.
- Hae parametrikoodi o30 käyttämällä ylempää ja alempaa painiketta.
- Paina keskimäistä painiketta, kunnes näytöllä näkyy parametrin arvo.
- Valitse uusi arvo käyttämällä ylempää ja alempaa painiketta: 2 = R22, 3 = R134a, 13 = R513A, 17 = R507, 19 = R404A, 20 = R407C, 21 = R407A, 37 = R407F, 40 = R448A, 41 = R449A, 42 = R452A
- Vahvasta valittu arvo keskimäisellä painikkeella.

10 – Ennen käyttöönottoa tehtävät tarkistukset

△ Käytä varolaitteita, kuten turvapainekytkeitä ja mekaanista varoventtiiliä, yleisten ja paikallisesti sovellettavien määräysten ja standardien mukaisesti. Varmista, että turvalaitteet ovat toimintakunnossa ja että niiden säädöt ovat oikein. △ Tarkista, että korkeapainekytkeiden ja varoventtiilien asetukset eivät ylitä minkään järjestelmäkomponentin suurinta sallittua käyttöpainetta.

- Tarkista, että kaikki sähkökytkennät on tehty ja kiinnitetty kunnolla paikallisten määräysten mukaisesti.
- Jos järjestelmässä tarvitaan kampikammion lämmitintä, koneikko on kytkettävä päälle vähintään 12 tuntia ennen ensimmäistä käynnistystä ja aina ennen pitkäkestoisen seisontajakson jälkeen tapahtuvaa käynnistystä, kun käytetään pantatyyppejä kampikammion lämmittäjiä.
- Yksikössä on ylikuormitusuojalla varustettu pääkytkin. Ylikuormitusuoja on esiasetettu tehtaalla, mutta suosittelemme arvon tarkistamista ennen yksikön käyttöä. Ylikuormitusuojan arvo on esitetty yksikön etulukuissa olevassa johdotuskaaviossa.

11 – Käynnistys

- Älä koskaan käynnistä yksikköä, jos kylmäainetta ei ole täytetty.
- Kaikkien käyttöventtiilien on oltava avoinna.
- Varaajan Rotalock-venttiiliä on käännettävä 1 kierros sulkusuuntaan, jotta painelähtimen oikea lauhtumispaine saavutetaan.
- Tarkista yksikön ja virtalähteen yhteensopivuus.
- Tarkista, että kampikammion lämmitin toimii.
- Tarkista, että puhallin pyörii vapaasti.
- Tarkista, että suojuus on poistettu lauhtuttimen takaa.
- Tasaa korkea- ja matalapainepuolen paineet.
- Kytke yksikköön jännite. Kompressorin pitäisi käynnistyä välittömästi. Jos kompressorin käynnistyminen ei tapahdu, tarkista johtimien kytkentöjen oikeellisuus ja liittimien jännite.
- Mahdollinen kolmivaiheisen kompressorin väärään suuntaan pyöriminen voidaan tunnistaa seuraavista merkeistä: kompressorin ei nosta painetta, sen melutaso on normaalia kovempi ja virrankulutus normaalia pienempi. Sammuta yksikkö tässä tapauksessa välittömästi ja korjaa kytkentä kytkemällä vaiheet oikeisiin liittimiin.
- Jos pyörimissuunta on oikea, säätimen (tai matalapainemittarin) osoittaman matalan paineen arvon tulee alentua ja säätimen (tai korkeapainemittarin) osoittaman korkean paineen arvon tulee kasvaa.

12 – Käynnissä olevaa yksikköä koskevat tarkistukset

- Tarkista puhaltimen pyörimissuunta. Ilman virtaussuunnan on oltava lauhtuttimesta puhallinta kohti.
- Tarkista virranotto ja jännite.
- Pienennä nesteiskujen vaaraa tarkistamalla imun tulistus.
- Tarkista öljyn pinnankorkeus nestelasista käynnistettäessä sekä käytön aikana ja varmista, että pinta pysyy näkyvissä öljyä lisäämällä.
- Varmista, että koneisto toimii sallitulla käyttöalueella.
- Tarkista kaikki putket poikkeavan tärinän varalta. Yli 1,5 mm:n liike edellyttää korjaavia toimia, kuten putki kiinnikkeitä.
- Nestemäistä kylmäainetta voidaan tarvittaessa lisätä matalapainepuolelle mahdollisimman kauas kompressorista. Kompressorin on tällöin oltava käynnissä.
- Älä ylitä järjestelmää.
- Noudata paikallisia määräyksiä jäädytysaineen talteenotosta yksiköstä.
- Älä koskaan vapauta kylmäainetta ilmaan.
- Tee ennen asennuspaikalta poistumista yleinen siisteyttä, melua ja vuotoja koskeva tarkistus.
- Kirjaa kylmäainetyyppi ja täytös sekä käyttöolosuhteet muistiin myöhempiä huoltokäyntejä varten.

13 – Hätäkäyttö ilman säädintä

Koneikkoa voidaan käyttää myös säätimen vikatilanteessa, jos normaali johdotus (kuva 4) muutetaan alla esitetyllä tavalla väliaikaisesti johdotukseksi (kuva 5).

△ Muutoksen saa tehdä vain pätevä sähköasentaja. Maan lainsäädännön määräyksiä on noudatettava.

△ Kytke koneikko irti virtalähteestä (käännä laitteiston pääkytkin pois päältä).

• Huonetermostaatin koskettimen on pystyttävä kytkemään 250 V AC.

• Irrota johdin 22 (varapiiri D13) ja johdin 25 (huonetermostaatti D11) ja vie ne yhdessä ensimmäiseen eristettyyn riviliittimeen (250 V AC, 10 mm²).

• Irrota johdin 25 (huonetermostaatti D11) ja johdin 11 (kompressorin syöttö) ja yhdistä ne eristetyllä riviliittimellä (250 V AC 10 mm²).

• Irrota johdin 6 ja kytke se riviliittimellä johtimiin 11 ja 25. Puhaltimen painekytke tai puhaltimen nopeussäädin voidaan kytkeä sarjaan johtimeen 6.

• Irrota johdin 14 (kampikammion lämmitin) ja kytke se kompressorin kontaktoriin 22.

• Irrota johdin 12 (kampikammion lämmittimen syöttö), pidennä sitä riviliittimellä (250 V AC 10 mm²) ja 1,0 mm²:n ruskealla johdolla ja kytke se kompressorin kontaktoriin 21.

• Irrota suuri riviliitin säätimen liittimistä 10–19.

• Kytke koneikko virtalähteeseen (käännä laitteiston pääkytkin päälle).

14 – Kunnossapito

△ Kytke koneikko aina pois päältä pääkytkimestä ennen puhaltimen oven/ovien avaamista.

△ Sisäinen paine ja pintalämpötila nousevat vaarallisen korkeiksi ja voivat aiheuttaa pysyviä vammoja. Huolto- ja asennushenkilöstöllä on oltava asianmukainen ammattitaito ja tarvittavat työkalut. Putkiston lämpötila voi ylittää 100 °C ja aiheuttaa vakavia palovammoja.

△ Varmista, että järjestelmän luotettavan toiminnan takaavat määräaikaistarkistukset suoritetaan paikallisten määräysten mukaisesti.

Jotta vältetään järjestelmään liittyvät ongelmat, seuraavat määräaikaistarkistukset ovat suositeltavia:

- Varmista, että turvalaitteet ovat toimintakunnossa ja että niiden säädöt ovat oikein.
- Tarkista, ettei järjestelmässä ole vuotoja.
- Tarkistakompressorin öljymäärä.
- Tarkista kompressorin virranotto.
- Tarkista, että järjestelmä toimii aiempien huoltokirjausten ja ympäristöolosuhteiden mukaisesti.
- Tarkista, että kaikki sähköliitokset ovat edelleen vahingoittumattomia.
- Pidä yksikkö puhtaana ja tarkista, ettei yksikön komponenteissa, putkistossa tai sähköliitoksissa ilmene ruostetta tai happamusta.

Ohjeet

Lauhdutin on tarkistettava vähintään kerran vuodessa tukkeumien varalta ja puhdistettava tarvittaessa. Lauhduttimen sisäpuoleen päästään käsiksi puhaltimen luukun kautta. Mikrokanavakennoissa lika pyrkii kerääntymään pinnalle eikä niinkään sisäpuolelle, minkä ansiosta ne ovat ripaputkikkenoja helpompia puhdistaa.

- Varmista sitä ennen, että nesteputken magneettiventtiili on kiinni ja mahdolliset höyrystintpuhaltimet eivät pyöri.
- Puhdista pinnat lehdistä, kuiduista ja muusta liasta pölynimurilla, jossa on harjasuulake tai muu sopivan pehmeä suulake. Vaihtoehtoisesti voit puhalttaa paineilmaa kennon läpi sisältä ulospäin ja harjata kennoa pehmeällä harjalla. Älä käytä teräsharjaa. Älä iske tai raavi kennoa imurin suulakkeella tai puhdistuspistoolin suuttimella.
- Ennen kuin suljet puhaltimen luukun, käännä puhaltimen siivet kuvassa 6 esitettyyn asentoon, jotta luukku ei osu puhaltimeen.

Jos kylmäainejärjestelmä on avattu, järjestelmästä on poistettava kosteus huuhtelemalla se kuivatulla ilmalla tai tyypellä ja lisäksi suodatinkuivain on vaihdettava. Jos kylmäaine on tyhjennettävä, se on tehtävä niin, että kaikki kylmäaine otetaan talteen.

15 – Vaatimustenmukaisuustodistus

• **Painelaitedirektiivi 2014/68/EU EN 378-2:2016** - Kylmäkoneistot ja lämpöpumput – Turvallisuus- ja ympäristövaatimukset – Osa 2: Suunnittelu, rakenne, testaus, merkintä ja dokumentointi.

Pienjännitedirektiivi 2014/35/EU EN 60335-1:2012 + A11:2014 - Kotitaloussähkölaitteiden ja vastaavien turvallisuus - Osa 1: Yleiset vaatimukset – kaikille edellä mainituille lauhdutusyksiköille.

Ekologisesta suunnittelusta annettu direktiivi 2009/125/EY, joka asettaa puitteet energiaan liittyvien tuotteiden ekologiselle suunnittelulle asetettaville vaatimuksille. Ammattikäyttöön tarkoitettuja kylmä- ja pakastekaappeja, pikajäähdytyskaappeja, koneikkoja ja prosessijäähdytyslaitteita koskeva ASETUS (EU) 2015/1095, jolla pannaan täytäntöön ekosuunnitteludirektiivi 2009/125/EY.

• Koneikkojen mittaukset tehdään standardin EN 13771-2:2007 mukaisesti – Kompressorit ja koneikot jäähdytystehon testaukseen ja testimenetelmät - osa 2: Koneikot

16 – Takuu

Ilmoita aina malli- ja sarjanumero, kun jätät tuotetta koskevan korvausvaateen.

Tuotteen takuu saattaa raueta seuraavissa tapauksissa:

- Tyypikkilpi puuttuu.
- Tuotteeseen on tehty tai siinä on havaittavissa ulkoisia muutoksia, etenkin poraus, juottami-

nen, rikkoutuneet jalat ja kolhut.

- Kompressori on avattu tai palautettu liitäntäputket avoinna.
- Kompressorin sisällä on ruostetta, vettä tai vuotojen tarkistamisessa käytettävää väriainetta.
- Tuotteessa on käytetty muuta kuin Danfossin hyväksymää kylmäainetta tai voiteluainetta.
- Asennus-, käyttö- tai huolto-ohjeiden noudattaminen on jollakin tavalla laiminlyöty.
- Tuotetta on käytetty liikkuvissa sovelluksissa.
- Tuotetta on käytetty ympäristössä, jossa on räjähdysvaara.
- Takuuvaateen yhteydessä ei ole ilmoitettu mallinumeroa tai sarjanumeroa.

17 – Hävittäminen



Danfoss suosittelee, että koneikkojen ja öljyjen kierrätys annetaan asianmukaisen yrityksen tehtäväksi.

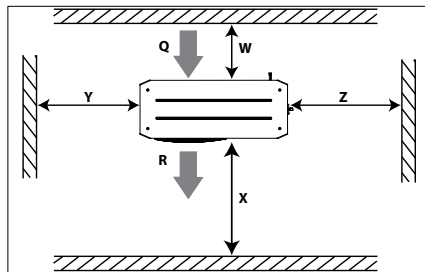
Οδηγίες

Optima™ Plus

OP-LPQM, OP-MPYM, OP-MPXM,
OP-MPGM, OP-MPBM

Ενδεικτική πινακίδα

A	OP-MPXM034MLP00G	 MADE IN INDIA
B	114X4261	
C	Application MBP	IP 54
D	Refrigerant (1) R404A R507 R448A/R449A R407A/R407F/R452A	(2) R134a R513A
E	M.W.P. HP (1) 28 bar M.W.P. LP (1) 7 bar	(2) 23 bar (2) 5 bar
F	Voltage 230 V ~ 1N ~ 50Hz LRA 60 A OIL INSIDE POE 46	MCC 19 A
G	Serial No. 123456CG2816 EAN No. XXXXXXXXXXXXX	



Εικόνα 1: Ελάχιστες αποστάσεις τοποθέτησης

IZ: Είσοδος αέρα **IH:** Έξοδος αέρα

Μονάδα	KΓ [mm]	KΔ [mm]	ΚΕ [mm]	ΚΣΤ [mm]
Περιβλήμα 1 (Κωδικός αρ. 114X31-- ή 114X41--)	250	550	456	456
Περιβλήμα 2 (Κωδικός αρ. 114X32-- ή 114X42--)	250	650	530	530
Περιβλήμα 3 (Κωδικός αρ. 114X33-- ή 114X43--)	250	760	581	581
Περιβλήμα 4 (Κωδικός αρ. 114X34-- ή 114X44--)	250	900	700	700



⚠ Η μονάδα συμπύκνωσης πρέπει να χρησιμοποιηθεί μόνο για τον σκοπό (τους σκοπούς) για τον οποίο έχει σχεδιαστεί και εντός του εύρους εφαρμογής της.

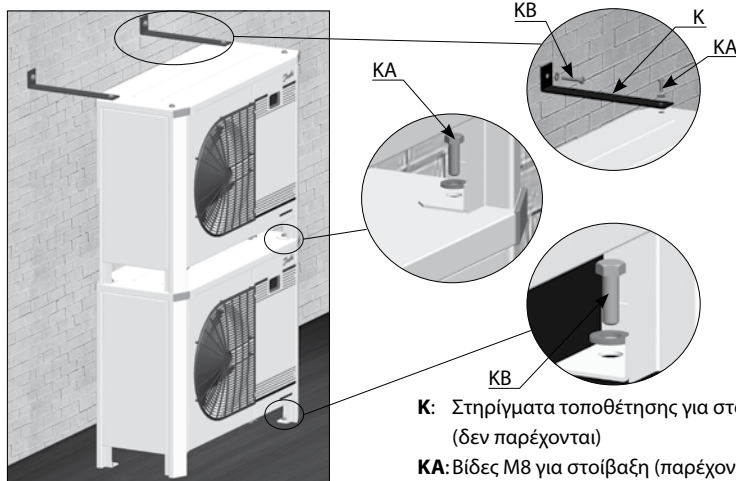
⚠ Υπό όλες τις περιστάσεις, θα πρέπει να ικανοποιούνται οι απαιτήσεις του προτύπου EN378 (ή άλλου ισχύοντος τοπικού κανονισμού ασφαλείας).

Η μονάδα συμπύκνωσης παραδίδεται υπό πίεση αερίου αζώτου (1 bar) και ως εκ τούτου δεν μπορεί να συνδεθεί ως έχει. Ανατρέξτε στην ενότητα «εγκατάσταση» για περισσότερες λεπτομέρειες.

Ο χειρισμός της μονάδας συμπύκνωσης πρέπει να γίνεται με προσοχή στην κάθετη θέση (μέγιστη απόκλιση από την κατακόρυφο: 15°)

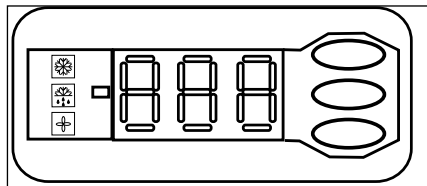
⚠ Η εγκατάσταση και το σέρβις των μονάδων συμπύκνωσης διενεργούνται μόνο από κατάλληλα εκπαιδευμένο προσωπικό. Ακολουθήστε αυτές τις οδηγίες και την ορθή πρακτική ψυκτικής μηχανικής σε σχέση με την εγκατάσταση, τη θέση σε λειτουργία, τη συντήρηση και το σέρβις.

- A:** Μοντέλο
- B:** Κωδικός αριθμός
- C:** Εφαρμογή, Προστασία
- D:** Ψυκτικό
- E:** Πίεση Λειτουργίας Περιβλήματος
- F:** Τάσης παροχής, Ρεύμα Ακίνητοποιημένου Δρομέα, Μέγιστη Κατανάλωση Ρεύματος
- G:** Σειριακός αριθμός και γραμμικός κωδικός



Εικόνα 2: Στοιβαξη

- K:** Στηρίγματα τοποθέτησης για στοιβαξη (δεν παρέχονται)
- KA:** Βίδες M8 για στοιβαξη (παρέχονται)
- KB:** Βίδες τοποθέτησης (δεν παρέχονται)

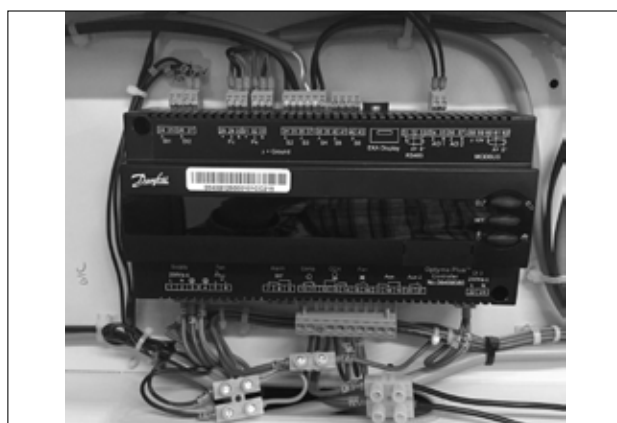


Εικόνα 3: Οθόνη ηλεκτρονικού ελεγκτή

- Συμπίεστής σε λειτουργία
- Θερμαντήρας στροφαλοθαλάμου ενεργοποιημένος
- Ανεμιστήρας σε λειτουργία
- Τιμή θερμοκρασίας για πίεση αναρρόφησης. Πιέστε το κάτω κουμπί για εναλλαγή σε τιμή θερμοκρασίας για πίεση συμπύκνωσης



Εικόνα 4: Κανονική καλωδίωση



Εικόνα 5: Προσωρινή καλωδίωση

Οδηγίες

1 – Εισαγωγή

Αυτές οι οδηγίες αφορούν τις μονάδες συμπύκνωσης Orpyma™ Plus OP-LPHM, OP-MPYM, OP-MPXM, OP-MPGM, OP-MPQM, OP-LPQM και OP-MPBM που χρησιμοποιούνται σε ψυκτικά συστήματα. Παρέχουν απαραίτητες πληροφορίες σχετικά με την ασφάλεια και τη σωστή χρήση αυτού του προϊόντος.

Η μονάδα συμπύκνωσης περιλαμβάνει τα εξής:

- Εναλλάκτη θερμότητας με μικροαγωγούς
- Παλινδρομικό ή σπειροειδή συμπιεστή
- Συλλέκτη με βαλβίδα διακοπής
- Ένσφαιρες βαλβίδες
- Υαλοδείκτη
- Διακόπτες υψηλής & χαμηλής πίεσης
- Αντικαταστάσιμο φίλτρο-ξηραντήρας
- Ηλεκτρονικό ελεγκτή
- Διακόπτη κύριου κυκλώματος (Διακόπτης ρεύματος με προστασία από υπερφόρτωση)
- Πυκνωτές ανεμιστήρα και συμπιεστή
- Επαφεία συμπιεστή
- Ανθεκτικό στις καιρικές συνθήκες περίβλημα

2 – Χειρισμός και αποθήκευση

- Συνιστάται να μην ανοίγετε την συσκευασία πριν τοποθετήσετε τη μονάδα στην τελική θέση όπου θα εγκατασταθεί.
- Χειριστείτε τη μονάδα με προσοχή. Η συσκευασία επιτρέπει τη χρήση περονοφόρου ή ανυψωτήρα παλετών. Χρησιμοποιήστε κατάλληλο και ασφαλή εξοπλισμό ανύψωσης.
- Αποθηκεύστε και μεταφέρετε τη μονάδα σε όρθια θέση.
- Αποθηκεύστε τη μονάδα σε θερμοκρασία μεταξύ -35°C και 50°C.
- Μην εκθέτετε τη συσκευασία σε βροχή ή διαβρωτική ατμόσφαιρα.
- Μετά την αποσυσκευασία, ελέγξτε ότι η μονάδα είναι πλήρης και ανέπαφη.

3 – Προφυλάξεις εγκατάστασης

⚠ Ποτέ μην τοποθετείτε τη μονάδα σε εύφλεκτη ατμόσφαιρα.
⚠ Τοποθετήστε τη μονάδα έτσι ώστε να μην φράζει και να μην εμποδίζει διαδρόμους, πόρτες, παράθυρα ή τα παρόμοια.

- Διασφαλίστε επαρκή χώρο γύρω από τη μονάδα για να μπορεί να κυκλοφορεί ο αέρας και να ανοίγουν οι πόρτες. Ανατρέξτε στην εικόνα 1 για τις ελάχιστες αποστάσεις από τοίχους.
- Αποφύγετε την εγκατάσταση της μονάδας σε θέσεις οι οποίες εκτίθενται καθημερινά σε άμεσο ηλιακό φως για παρατεταμένες περιόδους.
- Αποφύγετε την εγκατάσταση της μονάδας σε διαβρωτικά περιβάλλοντα και περιβάλλοντα με σκόνη.
- Διασφαλίστε μία βάση με οριζόντια επιφάνεια (κλίση μικρότερη από 3°), αρκετά ανθεκτική και σταθερή για να φέρει το βάρος όλης της μονάδας και να εξαλείφει κραδασμούς και παρεμβολές.
- Η θερμοκρασία περιβάλλοντος της μονάδας δεν πρέπει να υπερβαίνει τους 50°C κατά τη διάρκεια εκτός κύκλου.
- Διασφαλίστε ότι η παροχή ρεύματος αντιστοιχεί με τα χαρακτηριστικά της μονάδας (δείτε την ενδεικτική πινακίδα).
- Κατά την εγκατάσταση μονάδων για ψυκτικά HFC, χρησιμοποιήστε εξοπλισμό τον οποίο διατηρείτε ειδικά για ψυκτικά HFC και που δεν έχει χρησιμοποιηθεί ποτέ για ψυκτικά CFC ή HCFC.
- Χρησιμοποιήστε καθαρούς και αφυδατωμέ-

νους χάλκινους σωλήνες ψυκτικής κλάσης και υλικό συγκόλλησης από κράμα αργύρου.

- Χρησιμοποιήστε καθαρά και αφυδατωμένα εξαρτήματα συστήματος.
- Η σωλήνωση αναρρόφησης που συνδέεται με τον συμπιεστή πρέπει να είναι εύκαμπτη και στις 3 διαστάσεις για να αποσβένει τους κραδασμούς. Επιπλέον σωληνώσεις πρέπει να πραγματοποιηθούν με τέτοιο τρόπο ώστε να διασφαλίζεται η επιστροφή λαδιού για τον συμπιεστή και να εξαλείφεται ο κίνδυνος θυλάκων υγρού στον συμπιεστή.

4 – Εγκατάσταση

- Η εγκατάσταση στην οποία εγκαθίσταται η μονάδα συμπύκνωσης πρέπει να συμμορφώνεται με την Οδηγία Εξοπλισμού υπό Πίεση (PED) αρ. 97/23/EK. Η μονάδα συμπύκνωσης καθαυτή δεν θεωρείται "μονάδα" υπό την έννοια αυτής της οδηγίας.
- Συνιστάται η εγκατάσταση της μονάδας πάνω σε δακτυλίου στερέωσης από ελαστικό ή σε αποσβεστήρες κραδασμών (δεν παρέχονται).
- Είναι εφικτή η στοιβαγή των μονάδων, η μία πάνω στην άλλη.

Μονάδα	Μέγιστη στοιβαγή
Περίβλημα 1 (Κωδικός αρ. 114X31-- ή 114X41--)	3
Περίβλημα 2 (Κωδικός αρ. 114X32-- ή 114X42--)	2
Περίβλημα 3 (Κωδικός αρ. 114X33-- ή 114X43--)	2
Περίβλημα 4 (Κωδικός αρ. 114X34-- ή 114X44--)	2

- Κατά τη στοιβαγή, η μονάδα που βρίσκεται στην κορυφή πρέπει να στερεωθεί στον τοίχο, όπως παρουσιάζεται στην εικόνα 2.
- Απελευθερώστε αργά την πλήρωση αζώτου διαμέσου της θύρας schrader.
- Συνδέστε τη μονάδα στο σύστημα το συντομότερο δυνατόν για να αποφύγετε τη μόλυνση του λαδιού από την περιβαλλοντική υγρασία.
- Αποφύγετε την εισαγωγή υλικών στο σύστημα κατά την κοπή των σωλήνων. Ποτέ μην ανοίγετε οπές σε σημεία όπου δεν μπορείτε να αφαιρέσετε τα ρινίσματα.
- Εκτελέστε συγκολλήσεις με μεγάλη προσοχή χρησιμοποιώντας την πλέον πρόσφατη τεχνική και απαερώστε τις σωληνώσεις με ροή αερίου αζώτου.
- Συνδέστε τις απαιτούμενες διατάξεις ασφαλείας και ελέγχου. Όταν χρησιμοποιείτε τη θύρα schrader για αυτό το σκοπό, αφαιρέστε την εσωτερική βαλβίδα.
- Συνιστάται να μονώσετε τον σωλήνα αναρρόφησης μέχρι την είσοδο του συμπιεστή με μόνωση πάχους 19 mm.

5 – Ανίχνευση διαρροών

⚠ Ποτέ μην θέτετε υπό πίεση το σύστημα με οξυγόνο ή ξηρό αέρα. Θα μπορούσε να προκληθεί πυρκαγιά ή έκρηξη.

- Μην χρησιμοποιείτε χρωστική για την ανίχνευση διαρροής
- Εκτελέστε μία δοκιμή ανίχνευσης διαρροής στο ολοκληρωμένο σύστημα
- Η μέγιστη πίεση δοκιμής είναι 31* bar.
- Όταν ανακαλύψετε κάποια διαρροή, επισκευάστε την και επαναλάβετε την ανίχνευση διαρροής.

* 25 bar για μοντέλα OP.....AJ.... & OP.....FH....

6 – Ξήρανση κενού

- Ποτέ μην χρησιμοποιείτε τον συμπιεστή για να εκκενώσετε το σύστημα.
- Συνδέστε μία αντλία κενού και στις δύο πλευρές LP & HP.
- Εκκενώστε το σύστημα υπό κενό της τάξης των 500 μm Hg (0,67 mbar) απόλυτης πίεσης.
- Μην χρησιμοποιείτε μεγγόμετρο και μην εφαρμόζετε ισχύ στον συμπιεστή ενόσω βρίσκεται υπό κενό καθώς αυτό μπορεί να προκαλέσει εσωτερική βλάβη.

7 – Ηλεκτρικές συνδέσεις

- Σβήστε και απομονώστε την παροχή ρεύματος.
- Βεβαιωθείτε ότι η παροχή ρεύματος δεν μπορεί να ενεργοποιηθεί κατά την διάρκεια της εγκατάστασης.
- Όλα τα ηλεκτρικά εξαρτήματα πρέπει να επιλέγονται σύμφωνα με τα τοπικά πρότυπα και τις απαιτήσεις της μονάδας.
- Ανατρέξτε στο διάγραμμα συνδεσμολογίας για λεπτομέρειες των ηλεκτρικών συνδέσεων.
- Διασφαλίστε ότι η παροχή ισχύος αντιστοιχεί με τα χαρακτηριστικά της μονάδας και ότι είναι σταθερή (ονομαστική τάση ±10% και ονομαστική συχνότητα ±2,5 Hz)
- Οι διαστάσεις των καλωδίων παροχής ρεύματος πρέπει να συμμορφώνονται με τα δεδομένα τάσης και ρεύματος της μονάδας.
- Προστατέψτε την παροχή ρεύματος και διασφαλίστε σωστή γείωση.
- Πραγματοποιήστε την παροχή ρεύματος σύμφωνα με τα τοπικά πρότυπα και τις νομικές απαιτήσεις
- Η μονάδα εφοδιάζεται με έναν ηλεκτρονικό ελεγκτή. Ανατρέξτε στο Εγχειρίδιο RS8GDxxx για λεπτομέρειες.
- Η μονάδα εφοδιάζεται με έναν διακόπτη ρεύματος για προστασία από υπερφόρτωση. Η προστασία από υπερφόρτωση είναι προρυθμισμένη από το εργοστάσιο αλλά συνιστάται να ελέγχετε την τιμή πριν θέσετε τη μονάδα σε λειτουργία. Η τιμή για την προστασία από υπερφόρτωση βρίσκεται στο διάγραμμα συνδεσμολογίας στην πρόσθια πόρτα της μονάδας.
- Η μονάδα εφοδιάζεται με διακόπτες υψηλής και χαμηλής πίεσης, που διακόπτουν άμεσα την παροχή ρεύματος στον συμπιεστή σε περίπτωση ενεργοποίησής. Οι παράμετροι διακοπής λόγω υψηλής και χαμηλής πίεσης έχουν προρυθμιστεί μέσα στον ελεγκτή και έχουν προσαρμοστεί για τον συμπιεστή που έχει εγκατασταθεί στη μονάδα.

Για μονάδες με 3-φασικό σπειροειδή συμπιεστή (OP-MPXMxxxxxxxE), πρέπει να τηρηθεί η σωστή ακολουθία φάσης για την κατεύθυνση περιστροφής του συμπιεστή.

- Καθορίστε την ακολουθία φάσης χρησιμοποιώντας έναν μετρητή φάσης για να καθιερώσετε τη σειρά φάσεων των γραμμών L1, L2 και L3.
- Συνδέστε τις φάσεις των γραμμών L1, L2 και L3 στους ακροδέκτες T1, T2 και T3 του διακόπτη ρεύματος, αντίστοιχα.

8 – Πλήρωση του συστήματος

- Ποτέ μην εκκινείτε τον συμπιεστή υπό κενό. Αφήστε τον συμπιεστή απενεργοποιημένο.
- Χρησιμοποιείτε μόνο το ψυκτικό για το οποίο έχει σχεδιαστεί η μονάδα.
- Γεμίστε το ψυκτικό σε υγρή φάση μέσα στον συμπιεστή ή στο συλλέκτη υγρού. Διασφαλίστε την αργή πλήρωση του συστήματος στα 4 – 5 bar για το R404A/R448A/R449A/R407A/R407F/R452A και περίπου στα 2 bar για το R134a, R513A.

Οδηγίες

- Η υπόλοιπη πλήρωση γίνεται μέχρι η εγκατάσταση να φτάσει σε ένα επίπεδο σταθερής ονομαστικής κατάστασης κατά τη διάρκεια της λειτουργίας.
- Ποτέ μην αφήνετε τον κύλινδρο πλήρωσης συνδεδεμένο στο κύκλωμα.

9 – Ρύθμιση του ηλεκτρονικού ελεγκτή

- Η μονάδα εφοδιάζεται με έναν ηλεκτρονικό ελεγκτή που έχει προγραμματιστεί από το εργοστάσιο με παραμέτρους για χρήση με την συγκεκριμένη ομάδα. Ανατρέξτε στο Εγχειρίδιο RS8GDXXX για λεπτομέρειες.
- Από προεπιλογή, η θόνη του ηλεκτρονικού ελεγκτή παρουσιάζει την τιμή θερμοκρασίας για την πίεση αναρρόφησης σε °C. Για την εμφάνιση της τιμής θερμοκρασίας για την πίεση συμπίκνωσης, πιέστε το κάτω κουμπί (εικόνα 3).

Ο ηλεκτρονικός ελεγκτής είναι εργοστασιακά προρυθμισμένος για τα ψυκτικά R404A, R449A, R452A ή R134a, ανάλογα με το μοντέλο του στερεωμένου συμπιεστή και την εφαρμογή (ανατρέξτε στο Παράρτημα στο εγχειρίδιο εγκατάστασης του ελεγκτή Orpyma). Εάν χρησιμοποιηθεί άλλο ψυκτικό, η ρύθμιση ψυκτικού πρέπει να αλλάξει. Η παράμετρος r12 πρέπει να ρυθμιστεί στο 0 πριν από αυτό (κύριος διακόπτης λογισμικού = κλειστός).

- Πιέστε το πάνω κουμπί για μερικά δευτερόλεπτα. Εμφανίζεται η στήλη με κωδικούς παραμέτρων.
- Πιέστε το πάνω ή το κάτω κουμπί για να βρείτε τον κωδικό παραμέτρου 030.
- Πιέστε το μεσαίο κουμπί μέχρι να εμφανιστεί η τιμή για αυτή την παράμετρο.
- Πιέστε το πάνω ή το κάτω κουμπί για να επιλέξετε τη νέα τιμή: 2 = R22, 3 = R134a, 13 = R513A, 17 = R507, 19 = R404A, 20 = R407C, 21 = R407A, 37 = R407F, 40 = R448A, 41 = R449A, 42 = R452A.
- Πιέστε το μεσαίο κουμπί για να επιβεβαιώσετε την επιλεγμένη τιμή.

10 – Επαλήθευση πριν τη θέση σε λειτουργία

Δ Χρησιμοποιήστε διατάξεις ασφαλείας όπως διακόπτη πίεσης ασφαλείας και μηχανική ανακουφιστική βαλβίδα που συμμορφώνονται τόσο με τους γενικούς όσο και με τους τοπικούς ισχύοντες κανονισμούς και πρότυπα ασφαλείας. Βεβαιωθείτε ότι λειτουργούν και έχουν ρυθμιστεί σωστά.

Δ Ελέγξτε ότι οι ρυθμίσεις των διακοπών υψηλής πίεσης και των ανακουφιστικών βαλβίδων δεν υπερβαίνουν την μέγιστη πίεση λειτουργίας οποιοδήποτε εξαρτήματος του συστήματος.

- Επαληθεύστε ότι όλες οι ηλεκτρικές συνδέσεις είναι σωστά στερεωμένες και σε συμμόρφωση με τους τοπικούς κανονισμούς.
- Όταν απαιτείται θερμοαντήρας στροφαλοθαλάμου, η μονάδα πρέπει να ενεργοποιηθεί τουλάχιστον 12 ώρες πριν την αρχική εκκίνηση και την εκκίνηση μετά από παρατεταμένη διακοπή λειτουργίας για θερμοαντήρες στροφαλοθαλάμου τύπου ιμάντα.
- Η μονάδα εφοδιάζεται με έναν διακόπτη ρεύματος για προστασία από υπερφόρτωση. Η προστασία από υπερφόρτωση προρυθμίζεται από το εργοστάσιο, αλλά συνιστάται να ελέγχετε την τιμή πριν θέσετε τη μονάδα σε λειτουργία. Η τιμή προστασίας από υπερφόρτωση βρίσκεται στο διάγραμμα συνδεσμολογίας στην πρόσθια πόρτα της μονάδας.

11 – Εκκίνηση

- Ποτέ μην εκκινείτε τη μονάδα όταν δεν υπάρχει ψυκτικό.
- Όλες οι βαλβίδες λειτουργίας πρέπει να είναι στην ανοικτή θέση.
- Η βαλβίδα totalock πάνω στο συλλέκτη πρέπει να γυρίσει 1 στροφή προς την κλειστή κατεύθυνση για να επιτευχθεί η σωστή πίεση συμπίκνωσης για τον μεταδότη πίεσης.
- Ελέγξτε τη συμμόρφωση μεταξύ της μονάδας και της παροχής ισχύος.
- Ελέγξτε ότι ο θερμοαντήρας στροφαλοθαλάμου λειτουργεί.
- Ελέγξτε ότι ο ανεμιστήρας μπορεί να περιστραφεί ελεύθερα.
- Ελέγξτε τη προστατευτικό φύλλο έχει αφαιρεθεί από την πίσω πλευρά του συμπυκνωτή.
- Εξισορροπήστε την πίεση HP/LP.
- Ενεργοποιήστε τη μονάδα. Θα πρέπει να ξεκινήσει αμέσως. Εάν ο συμπιεστής δεν ξεκινήσει, ελέγξτε τη συμμόρφωση των καλωδιώσεων και την τάση στους ακροδέκτες.
- Πιθανή αντίστροφη περιστροφή ενός 3-φασικού συμπιεστή μπορεί να ανιχνευθεί από τα ακόλουθα φαινόμενα: ο συμπιεστής δεν συσφραύει πίεση, έχει αφύσικα υψηλή στάθμη θορύβου και αφύσικα χαμηλή κατανάλωση ισχύος. Σε τέτοια περίπτωση, σβήστε αμέσως τη μονάδα και συνδέστε τις φάσεις στους σωστούς ακροδέκτες τους.
- Εάν η κατεύθυνση περιστροφής είναι σωστή η ένδειξη χαμηλής πίεσης στον ελεγκτή (ή ο μετρητής χαμηλής πίεσης) θα παρουσιάζει μειούμενη πίεση και η ένδειξη υψηλής πίεσης (ή ο μετρητής υψηλής πίεσης) θα παρουσιάζει αυξανόμενη πίεση.

12 – Έλεγχος με τη μονάδα σε λειτουργία

- Ελέγξτε την κατεύθυνση περιστροφής του ανεμιστήρα. Ο αέρας πρέπει να ρέει από τον συμπυκνωτή προς τον ανεμιστήρα.
- Ελέγξτε την έξαρση του ρεύματος και την τάση.
- Ελέγξτε την υπερθέρμανση αναρρόφησης για να μειώσετε τον κίνδυνο εμφάνισης του φαινομένου slugging.
- Όταν παρέχεται υαλοδείκτης, παρατηρήστε στη στάθμη του λαδιού στην εκκίνηση και κατά τη λειτουργία για να επιβεβαιώσετε ότι η στάθμη του λαδιού παραμένει ορατή.
- Τηρήστε τα όρια λειτουργίας.
- Ελέγξτε όλους τους σωλήνες για μη φυσιολογικούς κραδασμούς. Κινήσεις μεγαλύτερες του 1,5 mm απαιτούν διορθωτικά μέτρα όπως υποστηρίγματα σωλήνων.
- Όταν χρειαστεί, μπορείτε να προσθέσετε επιπλέον ψυκτικό σε υγρή φάση στην πλευρά χαμηλής πίεσης όσο το δυνατόν μακρύτερα από τον συμπιεστή. Ο συμπιεστής πρέπει να λειτουργεί κατά τη διάρκεια αυτής της διαδικασίας.
- Μην υπερφορτίζετε το σύστημα.
- Ακολουθείτε τους τοπικούς κανονισμούς σχετικά με την επαναφορά του ψυκτικού μέσου από την μονάδα.
- Ποτέ μην απελευθερώνετε ψυκτικό στην ατμόσφαιρα.
- Πριν φύγετε από τον χώρο εγκατάστασης, διενεργήστε μία γενική επιθεώρηση εγκατάστασης σχετικά με την καθαρότητα, το θόρυβο και την ανίχνευση διαρροής.
- Καταγράψτε τον τύπο και την ποσότητα της πλήρωσης ψυκτικού καθώς επίσης και τις συνθήκες λειτουργίας ως αναφορά για μελλοντικές επιθεωρήσεις.

13 – Λειτουργία έκτακτης ανάγκης χωρίς ελεγκτή

Σε περίπτωση βλάβης του ελεγκτή, η μονάδα συμπίκνωσης έχει τη δυνατότητα να λειτουργήσει εάν η τυπική καλωδίωση του ελεγκτή (εικόνα 4) τροποποιηθεί σε μία προσωρινή καλωδίωση (εικόνα 5) όπως περιγράφεται παρακάτω.

Δ Αυτή η τροποποίηση πρέπει να διενεργηθεί μόνο από εξουσιοδοτημένους ηλεκτρολόγους. Πρέπει να τηρηθεί η νομοθεσία της εκάστοτε χώρας.

Δ Αποσυνδέστε τη μονάδα συμπίκνωσης από την παροχή ρεύματος (κλείστε τον διακόπτη ρεύματος)

- Η επαφή του θερμοστάτη Δωματίου πρέπει να έχει δυνατότητα μεταγωγής 250VAC.
- Αφαιρέστε το καλώδιο 22 (είσοδος ασφαλείας D13) και το καλώδιο 24 (θερμοστάτης δωματίου D11) και τοποθετήστε τα μαζί με μία μονωμένη γέφυρα ακροδεκτών 10mm² 250 Vac.
- Αφαιρέστε το καλώδιο 25 (θερμοστάτης δωματίου D11) και το καλώδιο 11 (τροφοδοσία συμπιεστή) και τοποθετήστε τα μαζί με μία μονωμένη γέφυρα ακροδεκτών 10mm² 250VAC.
- Αφαιρέστε το καλώδιο 6 και συνδέστε το με τη γέφυρα ακροδεκτών για τα καλώδια 11 και 25. Ένας διακόπτης πίεσης ανεμιστήρα ή ελεγκτής ταχύτητας ανεμιστήρα μπορεί να συνδεθεί εν σειρά στο καλώδιο 6.
- Αφαιρέστε το καλώδιο 14 (θερμοαντήρας στροφαλοθαλάμου) και συνδέστε το στον ακροδέκτη 22 του επαφά συμπιεστή.
- Αφαιρέστε το καλώδιο 12 (τροφοδοσία θερμοαντήρα στροφαλοθαλάμου), επεκτείνετε αυτό το καλώδιο χρησιμοποιώντας μία γέφυρα ακροδεκτών 10mm² 250 Vac και ένα καφέ καλώδιο 1,0mm² και συνδέστε το στον ακροδέκτη 21 του επαφά συμπιεστή.
- Αφαιρέστε το μεγάλο μπλοκ ακροδεκτών από τους ακροδέκτες του ελεγκτή 10 έως 19.
- Συνδέστε τη μονάδα συμπίκνωσης στην παροχή ρεύματος (ανοίξτε τον διακόπτη ρεύματος).

14 – Συντήρηση

Δ Να απενεργοποιείτε πάντα τη μονάδα κλείνοντας τον διακόπτη ρεύματος πριν ανοίξετε την πόρτα(ες) του ανεμιστήρα.

Δ Η εσωτερική πίεση και η θερμοκρασία επιφανείας είναι επικίνδυνες και μπορούν να προκαλέσουν μόνιμο τραυματισμό. Οι χειριστές συντήρησης και οι εγκαταστάτες πρέπει να διαθέτουν τις κατάλληλες ικανότητες και εργαλεία. Η θερμοκρασία των σωληνώσεων μπορεί να υπερβεί τους 100°C και να προκαλέσει σοβαρά εγκαύματα.

Δ Βεβαιωθείτε ότι εκτελούνται περιοδικές επιθεωρήσεις σέρβις για να διασφαλιστεί η αξιοπιστία του συστήματος και όπως απαιτείται από τους τοπικούς κανονισμούς.

Για να αποφευχθούν προβλήματα που σχετίζονται με το σύστημα, συνιστάται η ακόλουθη περιοδική συντήρηση:

- Επαληθεύστε ότι οι διατάξεις ασφαλείας λειτουργούν και έχουν ρυθμιστεί σωστά.
- Βεβαιωθείτε ότι το σύστημα δεν παρουσιάζει διαρροές.
- Ελέγξτε την έξαρση ρεύματος του συμπιεστή.
- Επιβεβαιώστε ότι το σύστημα λειτουργεί με τρόπο συνεπή με τα αρχεία προηγούμενων συντηρήσεων και τις συνθήκες περιβάλλοντος.
- Ελέγξτε ότι όλες οι ηλεκτρικές συνδέσεις εξακολουθούν να είναι επαρκώς στερεωμένες.
- Διατηρήστε τη μονάδα καθαρή και επαληθεύστε την απουσία σκουριάς και οξειδωσίας στα εξαρτήματα, τους σωλήνες και τις ηλεκτρικές συνδέσεις της μονάδας.

Οδηγίες

Ο συμπυκνωτής πρέπει να ελέγχεται τουλάχιστον μία φορά το χρόνο για αποφράξεις και να καθαρίζεται εάν κριθεί απαραίτητο. Η πρόσβαση στην εσωτερική πλευρά του συμπυκνωτή γίνεται μέσω της πόρτας του ανεμιστήρα. Τα σπειρώματα μικροαγωγών τείνουν να συγκεντρώνουν ρύπους στην επιφάνεια αντί στο εσωτερικό και έτσι είναι ευκολότερο να καθαριστούν απ' ό,τι τα σπειρώματα περρυγιόφρων σωλήνων.

- Απενεργοποιήστε τη μονάδα κλείνοντας τον διακόπτη ρεύματος πριν ανοίξετε την πόρτα του ανεμιστήρα.
- Αφαιρέστε τους επιφανειακούς ρύπους, φύλλα, ίνες, κλπ., με μία ηλεκτρική σκούπα, εφοδιασμένη με βούρτσα ή άλλο μαλακό προσάρτημα. Εναλλακτικά, ρίξτε πεπιεσμένο αέρα στο σπείρωμα από μέσα προς τα έξω και βουρτσίστε με μία μαλακή βούρτσα. Μην χρησιμοποιήσετε συρματινή βούρτσα. Μην χτυπήσετε και μην γδάρετε το σπείρωμα με τον σωλήνα της ηλεκτρικής σκούπας ή με το ακροφύσιο αέρα.
- Πριν κλείσετε την πόρτα του ανεμιστήρα, γυρίστε το περύγιο του ανεμιστήρα στη θέση που παρουσιάζεται στην εικόνα 6 για να μην χτυπήσει η πόρτα τον ανεμιστήρα.

Εάν έχετε ανοίξει το σύστημα ψυκτικού, πρέπει να εκπλύνετε το σύστημα με ξηρό αέρα ή άζωτο για την αφαίρεση της υγρασίας και να τοποθετήσετε ένα νέο φίλτρο ξηραντήρα. Εάν απαιτείται εκκένωση του ψυκτικού, η εκκένωση πρέπει να γίνει με τέτοιο τρόπο ώστε να μην διαφύγει το ψυκτικό στο περιβάλλον.

15 – Δήλωση συμμόρφωσης

• **Οδηγία περί εξοπλισμού υπό πίεση 2014/68/EE EN 378-2:2016** - Συστήματα ψύξης και αντλίες θερμότητας - Απαιτήσεις ασφαλείας και περιβαλλοντικές απαιτήσεις - Μέρος 2: Σχεδιασμός, κατασκευή, δοκιμές, σήμανση και τεκμηρίωση

Οδηγία περί χαμηλής τάσης 2014/35/EE EN 60335-1:2012 + A11:2014- Ασφάλεια ηλεκτρικών συσκευών οικιακής και παρόμοιας χρήσης - Μέρος 1: Γενικές απαιτήσεις για όλα τα συγκροτήματα συμπίεστη-συμπυκνωτή που αναφέρονται παραπάνω

ΟΔΗΓΙΑ περί οικολογικού σχεδιασμού 2009/125/ΕΚ, για θέσπιση πλαισίου για τον καθορισμό απαιτήσεων οικολογικού σχεδιασμού όσον αφορά στα προϊόντα που σχετίζονται με την ενέργεια. ΚΑΝΟΝΙΣΜΟΣ (ΕΕ) 2015/1095, για εφαρμογή της Οδηγίας περί οικολογικού σχεδιασμού 2009/125/ΕΚ σχετικά με τις απαιτήσεις οικολογικού σχεδιασμού για επαγγελματικά ψυχόμενα ερμάρια αποθήκευσης, ταχυψύκτες/ταχυκαταψύκτες, συγκροτήματα συμπίεστη-συμπυκνωτή και ψύκτες διεργασιών.

• Οι μετρήσεις για τα συγκροτήματα συμπίεστη-συμπυκνωτή γίνονται σύμφωνα με το πρότυπο «EN 13771-2:2007» - Δοκιμές και μέθοδοι δοκιμών ψυκτικής απόδοσης συμπίεστη και συγκροτημάτων συμπίεστη-συμπυκνωτή - Μέρος 2: Συγκροτήματα συμπίεστη-συμπυκνωτή

16 - Εγγύηση

Να συμπεριλαμβάνετε πάντα τον αριθμό μοντέλου και τον σειριακό αριθμό σε κάθε αξίωση που εγείρετε σχετικά με αυτό το προϊόν.

Η εγγύηση του προϊόντος ενδέχεται να ακυρωθεί στις ακόλουθες περιπτώσεις:

- Απουσία της ενδεικτικής πινακίδας.
- Εξωτερικές τροποποιήσεις, ιδιαίτερα, διάνοιξη οπών, συγκόλληση, σπασμένα σκέλη και σημάδια από κρούσεις.
- Συμπιεστής που έχει ανοιχτεί ή επιστρέφεται μη σφραγισμένος.
- Σκουριά, νερό ή χρωστική ανίχνευσης διαρροής εντός του συμπίεστη.
- Χρήση ψυκτικού ή λιπαντικού που δεν έχει εγκριθεί από την Danfoss.
- Τυχόν παρέκκλιση από τις συνιστώμενες οδηγίες που αφορούν την εγκατάσταση, εφαρμογή ή συντήρηση.
- Χρήση σε κινητές εφαρμογές.
- Χρήση σε περιβάλλον εκρηκτικής ατμόσφαιρας.
- Ο αριθμός μοντέλου ή ο σειριακός αριθμός δεν συνοδεύει την αξίωση για εγγύηση.

17 – Διάθεση



Η Danfoss συνιστά την ανακύκλωση των μονάδων συμπύκνωσης και του λαδιού από κατάλληλη εταιρεία στις εγκαταστάσεις της.

Instruksjoner

Optyma™ Plus

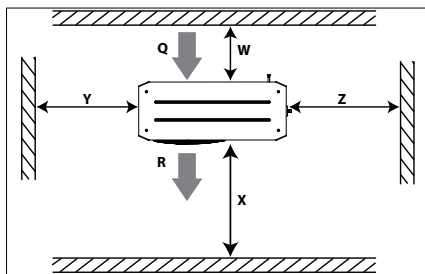
OP-LPQM, OP-MPYM, OP-MPXM,
OP-MPGM, OP-MPBM

Navneskilt

A	OP-MPXM034MLP00G	 MADE IN INDIA
B	114X4261	
C	Application MBP	IP 54
D	Refrigerant (1) R404A R507 R448A/R449A	(2) R134a
E	M.W.P. HP R407A/R407F/R452A	R513A
	M.W.P. LP (1) 7 bar	(2) 23 bar
		(2) 5 bar
F	Voltage 230 V ~ 1N ~ 50Hz	MCC 19 A
	LRA 60 A	
	OIL INSIDE POE 46	
G	Serial No. 123456CG2816	
	EAN No. XXXXXXXXXXXXXXX	

CE ENEC

Danfoss AS, 6430 Nordborg, Denmark



Bilde 1: Minimum montasjeavstander

Q: Luft inn R: Luft ut

Enhet	W [mm]	X [mm]	Y [mm]	Z [mm]
Kapsling 1 (Kodenr. 114X31– eller 114X41–)	250	550	456	456
Kapsling 2 (Kodenr. 114X32– eller 114X42–)	250	650	530	530
Kapsling 3 (Kodenr. 114X33– eller 114X43–)	250	760	581	581
Kapsling 4 (Kodenr. 114X34– eller 114X44–)	250	900	700	700



⚠ Kondensatorene må kun brukes til sitt tiltenkte formål og innenfor sitt bruksområde.

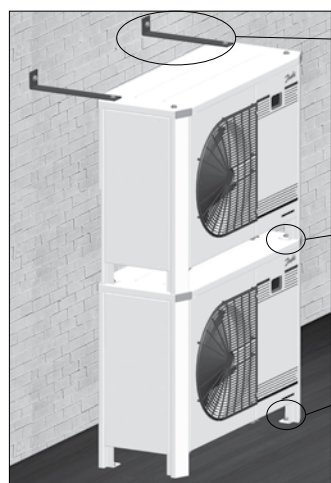
⚠ EN378 (eller andre relevante lokale sikkerhetsbestemmelser) må oppfylles til enhver tid.

Kondensatoren leveres med nitrogengassstrykk (1 bar), og kan derfor ikke kobles til slik den er. Se «installasjon» for ytterligere detaljer.

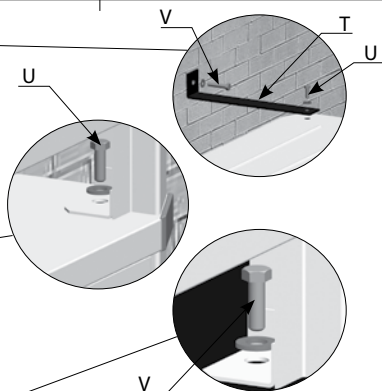
Kondensatoren må håndteres med forsiktighet i vertikal stilling (maksimal avvik fra vertikal stilling: 15°)



Installasjon og service av kondensatorer må kun utføres av kvalifisert personell. Følg disse instruksjonene og god praksis for installasjon, idriftsettelse, vedlikehold og service av kjøleanlegg.



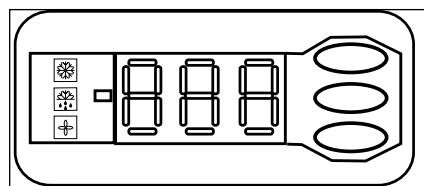
Bilde 2: Stablet montering



T: Montasjebreketter for stablet montering (ikke inkludert)

U: M8-skruer for stablet montering (inkludert)

V: Festeskruer (ikke inkludert)



Bilde 3: Display elektronisk styringsenhet

- Kompressor går
- Veivhusvarme på
- Vifte går

⊞⊞⊞ Temperaturverdi for suetrykk. Trykk den nederste knappen for å endre til visning for kondenseringstrykk



Bilde 4: Normal kabling



Bilde 5: Midlertidig kabling

Instruksjoner

1 – Innledning

Disse instruksjonene gjelder Optyma™ Plus kondensatorene OP-LPHM, OP-MPYM, OP-MPXM, OP-MPGM, OP-MPQM, OP-LPQM & OP-MPBM brukt i kjøleanlegg. De inneholder nødvendig informasjon om riktig og sikker bruk av dette produktet.

Kondensatoren omfatter følgende:

- Mikrokanal varmeveksler
- Stempel- eller scroll-kompressor
- Receiver med stengeventil
- Kuleventiler
- Seglass
- Høy- og lavtrykksbrytere
- Utskiftbart tørkefilter
- Elektronisk styreenhet
- Effektbryter (Hovedbryter med overbelastningsvern)
- Vifte- og kompressor-kondensatorer
- Kompressorkontaktor
- Robust værbestandig kapsling

2 – Håndtering og lagring

- Det anbefales at man ikke åpner pakken før den er bragt til installasjonsstedet.
- Håndter enheten med forsiktighet. Pakken kan flyttes med gaffeltruck eller jekktralle. Bruk riktig og sikkert løfteutstyr.
- Oppbevar og transporter enheten i stående stilling.
- Oppbevar enheten mellom -35°C og 50°C.
- Ikke utsett pakken for regn eller korrosiv atmosfære.
- Sjekk at enheten er komplett og uskadet etter at den er pakket ut.

3 – Forsiktighetsregler ved installasjon

⚠ Plasser aldri enheten i brennbar atmosfære
 ⚠ Plasser enheten slik at den ikke blokkerer eller hindrer passasje, dører, vinduer eller lignende.

- Sørg for tilstrekkelig plass rundt enheten slik at luften kan sirkulere og dører kan åpnes. Se bilde 1 for minimumsverdier for avstand til vegger.
- Unngå å installere enheten på steder hvor den daglig utsettes for direkte sollys over lengre tid.
- Unngå å installere enheten i aggressive eller støvete miljøer.
- Sørg for at fundamentet (som må ha mindre enn 3° helning), er kraftig og stabilt nok til bære hele vekten og til å eliminere vibrasjoner og støy.
- Enhetens omgivelsestemperatur må ikke overskride 50°C når den står.
- Forsikre deg om at strømtilførselen stemmer med spesifikasjonene til enheten (se merkeskiltet).
- Når man installerer enheter beregnet på HFC-kjølemidler, skal man bruke utstyr som er spesielt beregnet på HFC-kjølemidler, og som

aldri er brukt til CFC- eller HCFC-kjølemidler.

- Bruk rene og tørre kobberrør beregnet på kjølemidler, samt slaglodding i sølvlegering.
- Bruk rene og tørre systemkomponenter.
- Sugerørene tilkoblet kompressoren må være fleksible i 3 akser for å dempe vibrasjoner. I tillegg må røranlegget utføres på en slik måte at oljereturen til kompressoren er sikret, og at faren for at væskern renner tilbake og forårsaker væskeslag i kompressoren er eliminert.

4 – Installasjon

- Anlegget som kondensatoren er installert i må oppfylle EU direktiv nr. 97/23/EF om trykkpåkjent utstyr. Selve kondensatoren er i seg selv ikke en "enhet" i betydningen dette direktivet bruker.
- Det anbefales at man installerer enheten på gummiklosser eller vibrasjonsdempere (ikke inkludert).
- Det er mulig å stable flere enheter oppå hverandre.

Enhet	Maksimum stabling
Kapsling 1 (Kodenr. 114X31-- eller 114X41--)	3
Kapsling 2 (Kodenr. 114X32-- eller 114X42--)	2
Kapsling 3 (Kodenr. 114X33-- eller 114X43--)	2
Kapsling 4 (Kodenr. 114X34-- eller 114X44--)	2

- Ved stabling må den øverste enheten festes til veggen som vist i bilde 2.
- Frigjør nitrogentrykket sakte gjennom schrader-porten.
- Koble enheten til systemet så snart som mulig for å unngå oljeforurensing fra omgivelsesfukt.
- Unngå at det trenger materiale inn i systemet når man kutter rør. Bor aldri hull hvis det ikke er mulig å fjerne grader.
- Lodd med største forsiktighet. Bruk riktig teknikk, og ventiler rørene med nitrogengass.
- Koble til nødvendige sikkerhets- og styreenheter. Når man bruker schrader-porten til dette, fjerner man den innebygde ventilen.
- Det anbefales å isolere sugerøret opp til inntaket på kompressoren med 19 mm tykk isolasjon.

5 – Lekkasjedeteksjon

⚠ Trykksett kretsen aldri med oksygen eller tørr luft. Dette kan føre til brann eller eksplosjon.

- Ikke bruk fargestoff til lekkasjedeteksjon
- Utfør lekkasjedeteksjonstest på hele systemet
- Maksimalt testtrykk er 31*) bar.
- Når man oppdager en lekkasje, må man reparere lekkasjen og gjenta lekkasjedeteksjonen *) 25 bar for OP-.....AJ.... & OP-.....FH.... -modeller

6 – Vakuum

- Bruk aldri kompressor til å evakuere systemet.
- Koble en vakuumpumpe til både LP- & HP-sidene.
- Trekk ned systemet til under et vakuum på

500 µm Hg (0,67 mbar) absolutt trykk.

- Ikke bruk megohmmeter eller sett strøm på kompressoren når den står under vakuum, da den kan bli skadet innvendig.

7 – Elektriske tilkoblinger

- Slå av og koble fra hovedstrømtilførselen.
- Forsikre deg om at strømtilførselen ikke kan slås på under installasjon.
- Alle elektriske komponenter må velges iht. lokale standarder og krav til elektrisk utstyr.
- Se kablingsskjema for informasjon om elektriske tilkoblinger.
- Forsikre deg om at strømtilførselen oppfyller spesifikasjonene til enheten og at strømtilførselen er stabil (merkespenning ±10% og merkefrekvens ±2,5 Hz)
- Dimensjoner strømforsyningskablene iht. enhetens spesifikasjoner for strøm og spenning.
- Beskytt strømtilførselen og forsikre deg om at jordingen er riktig utført.
- Utfør strømtilførselen i henhold til lokale standarder og lovmessige krav
- Enheten er utstyrt med en elektronisk styreenhet. Se håndbok RS8GDxxx for mer informasjon.
- Enheten er utstyrt med hovedbryter med overspenningsvern. Overspenningsvernet er forhåndsinnstilt fra fabrikk, men det anbefales at man sjekker verdien for man setter i drift enheten. Verdien for overspenningsvernet finnes i kablingsskjemaet i framdøren til enheten.
- Enheten er utstyrt med høy- og lavtrykksbrytere, som kutter strømtilførselen til kompressoren direkte hvis de utløses. Parametrene for utkutting ved høyt og lavt trykk er forhåndsinnstilt i styreenheten, tilpasset kompressoren som sitter i enheten.

For enheter med 3-fas scroll-kompressor (OP-MPXMxxxxxxxE), må man kontrollere riktig fasesekvens for kompressorens rotasjonsretning.

- Bestem fasesekvensen ved å bruke fasemåler til å etablere rekkefølgen til fasene L1, L2 og L3.
- Koble fasene L1, L2 og L3 til hovedtilførselsklemmene T1, T2 og T3.

8 – Fyll systemet

- Start aldri kompressoren med vakuum. Hold kompressoren avslått.
- Bruk kun kjølemiddel som er beregnet for enheten.
- Fyll kjølemiddel i væskefase på kondensatoren eller væskebeholderen. Lad systemet langsomt til 4 – 5 bar for R404A/R448A/R449A/R407A/R407F/R452A og ca. 2 bar for R134a, R513A.
- Resten av ladingen gjøres når installasjonen har nådd stabil tilstand under drift.
- La aldri fylleflasken stå tilkoblet kretsen.

9 – Stille inn den elektroniske styringsenheten

- Enheten er utstyrt med elektronisk styringsenhet som er programmert fra fabrikk med

Instruksjoner

parametere for bruk sammen med enheten. Se håndbok RS8GDXXX for mer informasjon.

- Som standard viser den elektroniske styringsenheten temperaturene for sugetrykket i °C. For å vise temperaturen på kondenseringstrykket, trykker du den nederste knappen (bilde 3)

Regulatoren er fabrikkinnstilt for R404A, R449A, R452A eller R134a, avhengig av kompressor-modellen som er montert og bruksområdet (se vedlegg i installasjonshåndboken for Optyma Controller). Hvis det brukes et annet kjølemiddel, må innstilling for kjølemiddel endres. Parameter r12 må stilles til 0 først (programvare hovedbryter = av).

- Trykk og hold inne den øverste knappen i et par sekunder. Kolonnen med parameterkoder vises.
- Trykk på den øverste eller nederste knappen for å finne parameterkode o30.
- Trykk på den midterste knappen til verdien for denne parameteren vises.
- Trykk på den øverste eller nederste knappen for å velge den nye verdien: 2 = R22, 3 = R134a, 13 = R513A, 17 = R507, 19 = R404A, 20 = R407C, 21 = R407A, 37 = R407F, 40 = R448A, 41 = R449A, 42 = R452A.
- Trykk på den midterste knappen for å bekrefte den valgte verdien.

10 – Verifisering før idriftsettelse

⚠ Bruk sikkerhetsenheter som sikkerhetstrykkbryter og mekanisk avlastningsventil som er i samsvar med både generelle og lokale bestemmelser og sikkerhetsregler. Forsikre deg om at de fungerer og er riktig innstilt.

⚠ Sjekk at innstillingene av høytrykksbrytere og avlastningsventiler ikke overstiger maksimalt servicetrykk til noen systemkomponent.

- Verifiser at alle elektriske tilkoblinger er skikkelig festet og i samsvar med lokale bestemmelser.
- Når det er nødvendig med en veivhusvarmer, må enheten være strømførende i minst 12 timer før første gangs oppstart og oppstart etter lengre tids stillstand for veivhusvarmere av båndtypen.
- Enheten er utstyrt med hovedbryter med overspenningsvern. Overspenningsvernet er forhåndsinnstilt fra fabrikk, men det anbefales at man sjekker verdien før man setter i drift enheten. Innstilt verdi for overspenningsvern finnes i kablingsskjemaet i frontdøren.

11 – Oppstart

- Start aldri enheten uten at kjølemiddel er fylt på.
- Alle serviceventiler må stå i åpen stilling.
- Rotalock ventilen på mottakeren må vris en runde i stengeretning for å oppnå riktig kondensator trykk i trykksenderen.
- Sjekk samsvar mellom enheten og strømtilførselen.
- Sjekk av veivhusvarmeren fungerer.
- Sjekk at viften dreier fritt.

- Sjekk at beskyttelsesarket er fjernet fra baksiden av kondensatoren.
- Balanser HP/LP-trykket.
- Sett spenning på enheten. Den skal starte umiddelbart. Hvis kompressoren ikke starter, kontrollerer man kablingen og at det står spenning på klemmene.
- Reversert dreieretning til en 3-fas kompressor kan oppdages på følgende måte; kompressoren bygger ikke opp trykk, den støyer unormalt mye, og den har unormalt lavt strømførbruk. Hvis man oppdager dette må man slå av enheten øyeblikkelig og koble fasene til riktige klemmer.
- Hvis dreieretningen er riktig, skal lavtrykksindikeringen på styringsenheten (eller lavtrykksmanometeret) vise fallende trykk, og høytrykksindikeringen (eller høytrykksmanometeret) skal vise økende trykk.

12 – Sjekk av enhet i drift

- Sjekk viftens dreieretning. Luftstrømmen fra kondensatoren skal strømme mot viften.
- Sjekk strømtrekk og spenning.
- Sjekk overoppheting av suget for å redusere faren for støtvis innsuging.
- Når seglass finnes sjekker man oljenivået ved start og under drift for å bekrefte at oljenivået er synlig.
- Overhold driftsgrensene.
- Sjekk om rør vibrerer unormalt mye. Bevegelser over 1,5 mm krever korleksjon, som f.eks. montering av klammer.
- Ved behov kan ekstra kjølemiddel i væskefase etterfylles på lavtrykksiden så langt unna kompressoren som mulig. Kompressoren må være i drift når dette gjøres.
- Ikke overlad systemet.
- Følg lokale forskrifter for håndtering av kjølemiddelet fra enheten.
- Slipp aldri kjølemiddel ut i atmosfæren.
- Før man forlater anlegget skal man gjennomføre en generell inspeksjon med tanke på renhet, støy og lekkasje.
- Type registrering og mengde kjølemiddel samt driftsbetingelser som referanse for framtidige inspeksjoner.

13 – Nøddrift uten styringsenhet

Hvis det er feil på styringsenheten, kan kondensatoren fortsatt drives når styringsenhetens standardkabling (bilde 4) endres til en midlertidig kabling (bilde 5) som beskrevet under.

⚠ Denne endringen må kun utføres av godkjente elektrikere. Det enkelte lands lovgivning skal følges.

⚠ Koble kondensatoren fra strømtilførselen (slå av hovedbryteren)

- Kontakten til romtermostaten skal kunne koble 250VAC.
- Fjern ledning 22 (sikkerhetsinngang DI3) og ledning 24 (romtermostat DI1) og plasser dem

med en isolert 250 Vac 10mm² klemmebro.

- Fjern ledning 25 (romtermostat DI1) og ledning 11 (strømforsyning til kompressor) og koble dem sammen med en isolert 250 V AC 10 mm² klemmebro.
- Ta ut ledning 6 og koble den sammen med ledning 11 og 25 med en klemmebro. En viftetrykksbryter eller turtallsbryter for vifte kan kobles i serie med ledning 6.
- Ta ut ledning 14 (veivhusvarmer) og koble den til kompressorkontaktorklemme 22.
- Ta ut ledning 12 (strømforsyning til veivhusvarmer), utvid denne tråden med en 250 V AC 10 mm² klemmebro og 1,0 mm² brun kabel og koble den til kompressorkontaktorklemme 21
- Fjern den store klemmeblokken fra klemmene 10 til 19 på styringsenheten.
- Koble kondensatoren til strømtilførselen (slå på hovedbryteren)

14 – Vedlikehold

⚠ Slå alltid av enheten med hovedbryteren før du åpner viftedøren (s).

⚠ Innvendige trykk og overflate temperaturer er farlige og kan forårsake permanente personskader. Vedlikeholdsoperatører og installatører må ha nødvendig opplæring og verktøy. Rørtemperaturer kan overskride 100°C og kan føre til alvorlige brannskader.

⚠ Sørg for periodiske serviceinspeksjoner for å sikre at systemet er pålitelig og i forskriftsmessig stand.

For å unngå problemer med systemet anbefales følgende periodisk vedlikehold:

- Forsikre deg om at sikkerhetsautomatikk fungerer og er riktig innstilt.
- Forsikre deg om at systemet er lekkasjetett.
- Sjekk strømtrekket til kompressoren.
- Bekreft at systemet i henhold til tidligere vedlikeholdslogger og omgivelsesbetingelser.
- Sjekk at alle elektriske tilkoblinger er skikkelig festet.
- Hold enheten ren og fri for rust og oksidering på komponenter, rør og elektriske tilkoblinger.

Kondensatoren må sjekkes minst en gang i året med tanke på tilstopping, og den må rengjøres ved behov. Tilgang til kondensatorens innside skjer gjennom viftedøren. Mikrokanal-spoler har en tendens til å samle opp skitt på overflaten, og ikke på innsiden, noe som gjør dem enklere å rengjøre enn finne- og rørspoler.

- Slå alltid av enheten med hovedbryteren før du åpner viftedøren.
- Fjern overflateskitt, løv, fibre etc. med støvsuger utstyrt med børste eller annet mykt sugemunnstykke. Alternativ blåser man rent med trykkluft gjennom spolen fra innsiden og ut, og børster med en myk børste. Ikke bruk trådbørste. Ikke slå eller skrap på spolen med

Instruksjoner

støvsugerrøret eller munnstykket.

- Før man stenger viftedøren, stiller man viftebladet i stilling som vist i bilde 6 for å unngå at døren treffer viften.

Hvis kjølesystemet er åpnet, må systemet spyles med nitrogen for å fjerne fuktighet, og en nytt tørre-filter må monteres. Hvis kjølemiddelet må evakueres, skal dette skje på en måte som hindrer at det slippes ut kjølemiddel til atmosfæren.

15 – Samsvarserklæring

• **Direktiv 2014/68/EU om trykkpåkjent utstyr EN 378-2:2016** - Kjølesystemer og varmepumper – Sikkerhets- og miljøkrav-Del 2: Design, konstruksjon, testing, merking og dokumentasjon

Lavspenningsdirektivet 2014/35/EU EN60335-1:2012 + A11:2014- Elektrisk utstyr for husholdning og lignende-Sikkerhet-Del 1: Generelle krav-for alle ovennevnte kondenseringsenheter.

Økodesign-direktivet 2009/125/ EC, om rammene for fastsettelse av krav til økodesignkrav for energirelaterte produkter. FORSKRIFT (EU) 2015/1095, implementere økodesign-direktivet 2009/125/EC vedrørende krav til økodesign for profesjonelt avkjølte lagringsskap, hurtigkjølingsskap, kondenseringsenheter og prosesskjølere.

- Måling av kondenseringsenheter foretas i samsvar med standard «EN 13771-2:2007» – Kjølekompresorer og kondensatorer for kjøling – Ytelsesprøving og prøvingsmetoder- del 2: Kondenseringsaggregater

16 - Garanti

Oppgi alltid modellnummer og serienummer når man innleverer garantikrav for dette produktet.

Produktgarantien kan bli opphevet i følgende tilfeller:

- Merkeskiltet mangler.
- Eksterne modifikasjoner, og spesielt boring,

sveising, brukne føtter og slagmerker.

- Kompressoren er åpne eller returnert uforseglet.
- Rust, vann eller lekkasjedeteksjonsfarge inne i kompressoren.
- Bruk av kjølemiddel eller smøring som ikke er godkjent av Danfoss.
- Avvik fra anbefalte instruksjoner når det gjelder installasjon, bruk eller vedlikehold.
- Bruk i mobile anvendelser.
- Bruk i eksplosive miljøer.
- Intet modellnummer eller serienummer sendt inn sammen med garantikravet.

17 – Avhending



Danfoss anbefaler at kondensatorer og olje resirkuleres av selskapet på stedet.

Инструкции

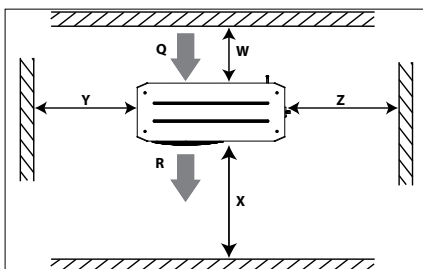
Optima™ Plus

OP-LPQM, OP-MPYM, OP-MPXМ,
OP-MPGM, OP-MPBM

Табела с име

A	OP-MPXМ034MLP00G	 MADE IN INDIA
B	114X4261	
C	Application MBP	IP 54
D	Refrigerant (1) R404A R507 R448A/R449A	(2) R134a
E	M.W.P. HP (1) 28 bar	(2) 23 bar
	M.W.P. LP (1) 7 bar	(2) 5 bar
F	Voltage 230 V ~ 1N ~ 50Hz	
	LRA 60 A	MCC 19 A
	OIL INSIDE POE 46	
G	Serial No. 123456CG2816	
	EAN No. XXXXXXXXXXXXXXX	

- A: Модел
- B: Кодов номер
- C: Приложение, защита
- D: Хладилен агент
- E: Максимално работно налягане
- F: Захранващо напрежение, честота, ток пусков ток, максимален работен ток
- G: Сериен номер и баркод



Фиг. 1: Минимални монтажни разстояния

Q: Вход за въздух **R:** Изход за въздух

Единица	W [mm]	X [mm]	Y [mm]	Z [mm]
Корпус 1 (Кодов № 114X31– или 114X41–)	250	550	456	456
Корпус 2 (Кодов № 114X32– или 114X42–)	250	650	530	530
Корпус 3 (Кодов № 114X33– или 114X43–)	250	760	581	581
Корпус 4 (Кодов № 114X34– или 114X44–)	250	900	700	700



⚠ Компресорно-кондензаторният агрегат трябва да се използва само по предназначение и в рамките на предвиденото за него приложение

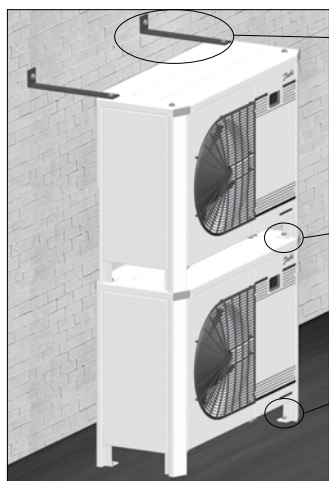
⚠ При всички обстоятелства трябва да се изпълняват изискванията на EN378 (или друга действаща местна нормативна уредба).

Компресорно-кондензаторният агрегат се доставя под налягане на азотния газ (1 bar), поради което не може да се свързва в състоянието, в което е; вж. раздела "Инсталиране" за допълнителни подробности.

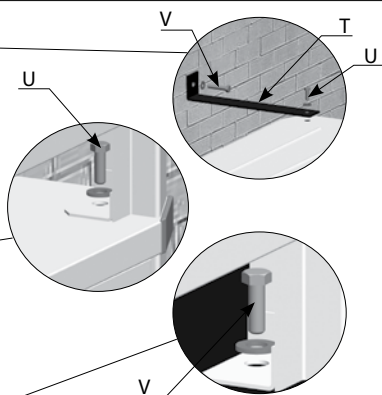
С компресорно-кондензаторния агрегат трябва да се бори внимателно във вертикално положение (максимално отместване от вертикала: 15°)



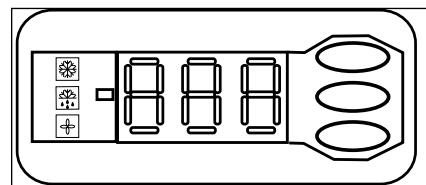
Инсталирането и обслужването на агрегати се извършва само от квалифициран персонал. Следвайте тези инструкции и добрата практика за технически работи в хладилната техника по отношение на въвеждането в експлоатация, техническото обслужване и сервиза.



Фиг. 2: Монтиране в колона



- T:** Монтажни скоби за монтиране в колона (не са включени в комплекта)
- U:** M8 болтове за монтиране в колона (предоставени)
- V:** Монтажни болтове (не са включени в комплекта)



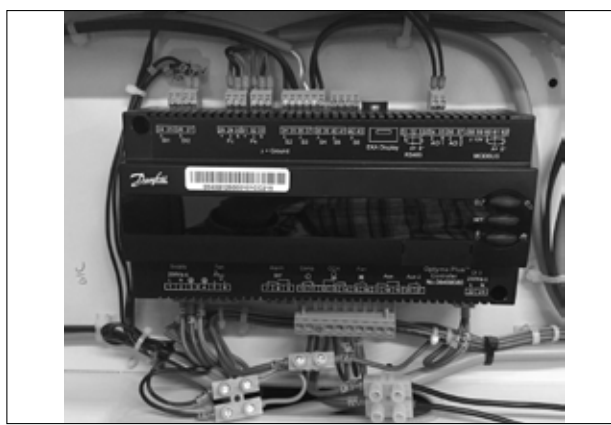
Фиг. 3: Дисплей на електронния регулатор

- Работещ компресор
- Включен нагревател на корпуса
- Работещ вентилатор

Стойност на температурата при смукателно налягане. Натиснете долния бутон, за да превключите стойността на температурата за налягането на кондензация.



Фиг. 4: Нормално свързване



Фиг. 5: Временно свързване

Инструкции

1 – Въведение

Тези инструкции се отнасят за компресорно-кондензаторните агрегати Optima™ Plus: OP-LPHM, OP-MPYM, OP-MPXМ, OP-MPGM, OP-MPQM, OP-LPQM и OP-MPBM, които се използват за хладилни системи. Те дават необходимата информация по отношение на безопасността и правилното използване на този продукт.

Агрегатът включва следното:

- Микроканален топлообменник
- Бутален или спирален компресор
- Ресивер със спирателен вентил
- Сферични вентили
- наблюдателно стъкло
- Пресостати за високо и ниско налягане
- Сменяем Филтър дехидратор
- Електронен регулатор
- Главен прекъсвач на веригата (главен прекъсвачател със защита от претоварване)
- Кондензатори на вентилатора и компресора
- Контактна на компресора
- Солиден корпус, устойчив на атмосферни влияния

2 – Боравене и съхранение

- Препоръчва се опаковката да не се отваря, преди устройството да се достави на окончателното място за инсталиране.
- Боравенето с устройството трябва да става внимателно. Опаковката позволява да се използва вилчен кар или палетен крик. Използвайте подходящо и безопасно повдигателно оборудване.
- Съхранявайте и транспортирайте устройството в изправено положение.
- Съхранявайте устройството между -35°C и 50°C.
- Не излагайте опаковката на дъжд или корозионна атмосфера.
- След разопаковането проверете дали устройството е цяло и без повреди.

3 – Предпазни мерки при инсталиране

⚠ Не използвайте агрегата във взривоопасна атмосфера.
 ⚠ Поставете устройството по такъв начин, че да не блокира и да не пречи на проходите за минаване, врати, прозорци и други подобни.

- Осигурете достатъчно място около устройството за циркулация на въздуха и отваряне на вратите. Вж. фиг. 1 за минималните разстояния до стените.
- Избягвайте инсталиране на устройството на места, изложени на пряко слънчево греене през деня за дълги периоди от време.
- Избягвайте инсталиране на устройството в агресивна и запрашена среда.
- Осигурете основа на хоризонтална равна повърхност (с наклон под 3°), достатъчно солидна и стабилна, за да издържи цялата тежест на устройството и да елиминира вибрации и влияния.
- Температурата на околната среда на устройството не бива да превишава 50°C по време на цикъла на изключено състояние.
- Уверете се, че електрозахранването отговаря на характеристиките на устройството (вж. табелката с данни).
- Когато инсталирате устройства за хладилни агенти с HFC, използвайте оборудване, спе-

циално подбрано за хладилни агенти с HFC, което никога не е използвано за хладилни агенти с CFC или HCFC.

- Използвайте чисти и дехидрирани медни тръби от хладилен клас и сребърен припои като материал за спояване.
- Използвайте чисти и дехидрирани компоненти на системата.
- Смукателните тръби, свързани към компресора, трябва да са гъвкави в 3 измерения, за да поглъщат вибрациите. Освен това, тръбите трябва да се поставени по начин, който да гарантира връщането на маслото към компресора и да елиминира рисковете от връщане на течност в компресора.

4 – Инсталиране

- Инсталацията, в която ще се монтира компресорно-кондензаторният блок, трябва да отговаря на Директивата на ЕС за оборудване под налягане (PED) 97/23/ЕС. компресорно-кондензаторният блок, сам по себе си, не е "устройство" по смисъла на тази директива.
- Препоръчва се устройството да се инсталира на гумени тампони или вибрационни амортизатори (не са включени в комплекта).
- Възможно е устройствата да се монтират едно над друго.

Устройство	Максимално монтиране в колона
Корпус 1 (Кодов № 114X31-- или 114X41--)	3
Корпус 2 (Кодов № 114X32-- или 114X42--)	2
Корпус 3 (Кодов № 114X33-- или 114X43--)	2
Корпус 4 (Кодов № 114X34-- или 114X44--)	2

- Когато устройствата се монтират в колона, това, което е най-отгоре, трябва да се обезопаси към стената, както е показано на фиг. 2.
- Бавно изпуснете заредения азот през игления вентил.
- Свържете устройството към системата колкото е възможно по-скоро, за да избегнете замърсяване на маслото от атмосферната влага.
- Внимавайте да няма попадане на материали в системата, докато режете тръбите. Не пробивайте отвори на места, на които мустациите не могат да се отстранят.
- Споявайте с голямо внимание, като използвате съвременна техника, и продухайте тръбите с поток азотен газ.
- Свържете необходимите предпазни и контролно-измервателни устройства. Когато за това се използва игленият вентил, извадете вътрешното тяло.
- Препоръчва се смукателната тръба да се изолира до входа на компресора с изолация с дебелина 19 mm.

5 – Откриване на пропуски

⚠ Никога не използвайте кислород или сух въздух за повишаване на налягането в системата. Това може да предизвика пожар или експлозия.

- Не използвайте боя за откриване на пропуски.
- Извършете проверка за пропуски върху цялата система.
- Максималното налягане при изпитване е 31^{*)} bar.

• Когато се установи пропуск, отстранете причината и повторете проверката.

^{*)} 25 бара за модели OP-.....AJ.... и OP-.....FH....

6 – Вакуумиране

- Не използвайте компресора за евакуиране на системата.
- Свържете вакуумна помпа към страната на ниско налягане и към страната на високо налягане.
- Евакуирайте системата до налягане 500 μm Hg (0,67 mbar) абсолютна стойност.
- Не използвайте мегаомметър и не подавайте захранване към компресора, докато той е в състояние на вакуум, защото това може да предизвика вътрешна повреда.

7 – Електрически връзки

- Изключете и изолирайте мрежовото захранване
- Уверете се, че електрозахранването не може да се включи по време на инсталирането.
- Всички електрически компоненти трябва да се избират според местните стандарти и изискванията за компресори.
- Вж. електрическата схема за подробности за електрическите съединения.
- Уверете се, че електрозахранването отговаря на характеристиките на устройството и че е стабилно (номинално напрежение ±10% и номинална честота ±2,5 Hz)
- Оразмерете кабелите на електрозахранването съобразно данните на устройството за ток и напрежение.
- Осигурете защита за електрозахранването и правилно заземяване.
- Електрозахранването трябва да отговаря на местните стандарти и нормативни изисквания.
- Устройството е оборудвано с електронен регулатор. Вж. наръчника RS8GDxxx за подробности.
- Устройството е оборудвано с главен прекъсвач със защита от претоварване. Защитата от претоварване е настроена фабрично, но се препоръчва стойността да се провери, преди устройството да се пусне в експлоатация. Стойността за защитата от претоварване може да се открие на електрическата схема в предната врата на устройството.
- Устройството е оборудвано с пресостати за високо и ниско налягане, които директно прекъсват електрозахранването към компресора в случай на активация. Параметрите за прекъсванията при високо и ниско налягане са предварително зададени в регулатора, адаптиран за компресора, монтиран в устройството.

При устройствата с 3-фазен спирален компресор (OP-MPXМxxxxxxxЕ) трябва да се спазва правилната фазава последователност за посока на ротация на компресора.

- Определете фазовата последователност с мощта на фазопрверител, за да установите реда на фазите на захранването L1, L2 и L3.
- Свържете фазите на захранването L1, L2 и L3 към клемите на мрежовия прекъсвач, съответно T1, T2 и T3..

Инструкции

8 – Зареждане на системата

- Никога не пускайте компресора, докато той е в състояние на вакуум. Оставете компресора изключен.
- Използвайте само хладилния агент, за който е предназначено устройството.
- Заредете хладилния агент в течно състояние в кондензатора или ресивера. Осигурете бавно зареждане на системата до 4–5 bar за R404A/R448A/R449A/R407A/R407F/R452A и прикл. 2 bar за R134a, R513A.
- Останалото зареждане се извършва, докато инсталацията достигне равнище на стабилен нормално състояние по време на работа.
- Никога не оставяйте зареждащата бутилка свързана към веригата.

9 – Настройка на електронния регулатор

- Устройството е оборудвано с електронен регулатор, който е фабрично програмиран с параметрите, които трябва да се използват за конкретното устройство. Вж. Наръчник RS8GDXXX за подробности.
- По подразбиране дисплеят на електронния регулатор показва стойността на температурата за налягането на всмукване. в °C. При натискане на долния бутон се показва стойността на температурата за налягането на кондензация (фиг. 3).

Електронният контролер е фабрично зададен за R404A, R449A, R452A или R134a в зависимост от модела на монтирания компресор и приложението (направете справка с анекса в ръководството за монтаж на контролера Ortu). Ако се използва друг хладилен агент, съответната настройка трябва да се промени. Параметърът g12 трябва да бъде предварително зададен на 0 (лавен ключ за нулиране на софтуера = изкл.).

- Натиснете горния бутон за няколко секунди. Появява се колоната с кодовете на параметрите.
- Натиснете горния или долния бутон, за да намерите кода на параметър o30.
- Натиснете средния бутон, докато се покаже стойността за този параметър.
- Натиснете горния или долния бутон, за да изберете нова стойност: 2 = R22, 3 = R134a, 13 = R513A, 17 = R507, 19 = R404A, 20 = R407C, 21 = R407A, 37 = R407F, 40 = R448A, 41 = R449A, 42 = R452A
- Натиснете средния бутон, за да потвърдите избраната стойност.

10 – Проверка преди въвеждане в експлоатация

▲ Използвайте защитни устройства, като защитен прекъсвач и механичен предпазен вентил, в съответствие както с общата, така и с местната действаща нормативна уредба. Уверете се, че те работят и са правилно настроени.

▲ Проверете дали настройките на пресостатите за високо налягане и предпазните вентили не превишават максималното работно налягане на всички компоненти на системата.

- Уверете се, че всички електрически връзки са добре затегнати и са в съответствие с местната нормативна уредба.
- Когато е необходим нагревател за корпуса,

устройството трябва да бъде включено минимум 12 часа преди начално пускане или пускане след продължителен престой (за нагреватели за корпуса от ремъчен тип).

- Устройството е оборудвано с межов превключвател със защита от претоварване. Защитата от претоварване е настроена фабрично, но се препоръчва стойността да се провери, преди устройството да се пусне в експлоатация. Стойността за защитата от претоварване може да се открие на електрическата схема на предната врата на устройството.

11 – Пуск

- Никога не пускайте компресора, когато не е зареден хладилен агент.
- Всички работни вентили трябва да са в отворено положение.
- Вентилът Rotalock на ресивера трябва да бъде завъртян на 1 оборот в посоката за затваряне, за да се получи точното налягане на кондензиране за трансмитера на налягане.
- Проверете съответствието между устройството и електрозахранването.
- Проверете дали нагревателят за корпуса работи.
- Проверете дали вентилаторът може да се върти свободно.
- Проверете дали предпазният лист е свален от задната страна на кондензатора.
- Извърнете налягането на страната на високо налягане и страната на ниското налягане.
- Включете захранването на устройството. То трябва да тръгне веднага. Ако компресорът не тръгне, проверете правилността на съединенията и напрежението на клемите.
- Енентуално въртене в обратна посока на 3-фазен компресор може да е налично при следните явления: компресорът не вдига налягане, издава прекалено висок шум и енергопотреблението е прекалено ниско. В такъв случай незабавно изключете устройството и свържете фазите към правилните клемите.
- Ако посоката на въртене е правилна, обозначението за ниско налягане на регулатора (или на измервателния уред за ниско налягане) ще показва намаляващо налягане, а обозначението за високо налягане на регулатора (или на измервателния уред за високо налягане) ще показва нарастващо налягане.

12 – Проверка при работещо устройство

- Проверете посоката на въртене на вентилатора. Въздухът трябва да протича от кондензатора към вентилатора.
- Проверете тока и напрежението.
- Проверете прегрева.
- Когато е предвидено контролно прозорче, наблюдавайте нивото на маслото при пускане и по време на работа, за да се убедите, че нивото на маслото остава видимо.
- Спазвайте ограниченията за експлоатация.
- Проверете всички тръби за прекомерни вибрации. При движения над 1,5 mm са необходими мерки за коригиране, например скоби за тръбите.
- Когато е необходимо, може да се добави допълнителен хладилен агент в течно състояние от страната на ниското налягане, колко-

то е възможно по-далеч от компресора. По време на този процес компресорът трябва да работи.

- Не препълвайте системата.
- Следвайте местните разпоредби за възстановяване на хладилния агент от агрегата.
- Никога не изпускайте хладилен агент в атмосферата.
- Преди да напуснете участъка на инсталацията, извършете общ контрол на инсталацията по отношение на чистота, шум и откриване на пропуски.
- Запишете типа и количеството на заредения хладилен агент, а също и експлоатационните условия за справка при бъдещ контрол.

13 – Работа в аварийни ситуации без регулатор

В случай на неизправност на регулатора компресорно-кондензаторният агрегат може все още да работи, когато стандартното свързване на регулатора (фиг. 4) се промени във временно (фиг. 5), както е описано по-долу.

▲ Това модифициране може да се извърши само от упълномощени електротехници. Трябва да се спазва законодателството на страната.

▲ Откачете компресорно-кондензаторният блок от захранването (изключете главният прекъсвач).

- Контактът на термостата на помещението трябва да може да превключва 250 VAC.
- Извадете проводник 22 (вход DI3) и проводник 24 (термостат на помещението DI1) и ги свържете с изолиран клемен мост 10 mm² за 250 VAC.
- Извадете проводник 25 (термостат на помещението DI1) и проводник 11 (захранване на компресора) и ги свържете с изолиран клемен мост 10 mm² за 250 VAC.
- Извадете проводник 6 и го свържете с изолиран клемен мост за проводник 11 и 25. Последователно на проводник 6 може да се свърже пресостат за вкл./изкл. на кондензаторния вентилатор или регулатор на скоростта на вентилатора.
- Извадете проводник 14 (нагревател на корпуса) и го свържете към клемата 22 на контактора на компресора.
- Извадете проводник 12 (захранване на нагревателя), извадете този проводник, като използвате изолиран клемен мост 10 mm² за 250 VAC. и кафяв кабел 1,0 mm², и го свържете към клемата 21 на контактора на компресора.
- Извадете големия клеморед от клемите 10 до 19 на регулатора.
- Свържете кондензаторният блок към захранването (включете хардуерния главен прекъсвач).

14 – Техническо обслужване

▲ Винаги изключвайте устройството с главния прекъсвач, преди да отворите вратичката на вентилатора.

▲ Вътрешното налягане и температурата на повърхността са опасни и могат да предизвикат неизлечимо увреждане. Операторите по техническото обслужване и лицата, осъществяващи инсталацията, трябва да имат съответни умения и инструменти. Температурата на тръбите може да превишава 100°C и да предизвика тежки изгаряния.

▲ Осигурете извършването на периодичен

Инструкции

работен контрол, за да гарантирате надеждността на системата и съответствието с действащата нормативна уредба.

За да се предотвратят проблеми, свързани със системата, се препоръчва следното периодично техническо обслужване:

- Уверете се, че предпазните устройства работят и са правилно настроени.
- Уверете се, че в системата няма пропуски.
- Проверете тока на компресора.
- Проверете дали системата работи по начин, съвпадащ с архивите от предишни технически обслужвания и условия на околната среда.
- Уверете се, че всички електрически връзки остават добре затегнати.
- Поддържайте агрегата чист и се уверете че няма ръжда и оксидация върху обвивката на агрегата, тръбите и електрическите съединения.

Кондензаторът трябва да се проверява поне веднъж годишно за задръстване и да се почиства, ако се счете за необходимо. Достъпът до вътрешната страна на кондензатора се извършва през вратичката на вентилатора. По микроканалните намотки се натрупва замърсяване по повърхността, а не отвътре, което ги прави по-лесни за почистване от намотките с ребра и тръби.

- Изключвайте блока с главния прекъсвач, преди да отворите вратичката на вентилатора.
- Отстранете повърхностното замърсяване, листа, влакна и др. с прахосмукачка, снабдена с четка или друг мек крайник. Като алтернатива може да насочите сгъстен въз-

дух през серпентината отвътре навън и да почистите с мека четка. Не използвайте телена четка. Не удряйте и не стържете върху серпентината с тръбата или крайника на прахосмукачката.

- Преди да затворите вратичката на вентилатора, завъртете перката на вентилатора в положението, показано на фиг. 6, за да избегнете удар на вратичката във вентилатора.

Ако системата на хладилния агент е отваряна, същата трябва да се продуха със сух въздух или азот, за да се отстрани влагата, и трябва да се монтира нов филтър дехидратор. Ако трябва да се извърши евакуация на хладилния агент, това трябва да се направи по такъв начин, че да няма изпускане на хладилен агент в околната среда.

15 – Декларация за съответствие

•Pressure Equipment Directive 2014/68/EU EN 378-2:2016 – Хладилни системи и термомпомпи – Изисквания за безопасност и опазване на околната среда – Част 2: Проектиране, конструкция, изпитване, маркировка и документация

Директива за ниско напрежение 2014/35/ЕС EN 60335-1:2012 + A11:2014 – Безопасност на битови и подобни електрически уреди – Част 1: Общи изисквания – за всички гореспоменати кондензаторни агрегати.

ДИРЕКТИВА за Екодизайн 2009/125/ЕО, установяваща работна рамка за задаването на изисквания за Екодизайн за свързани с енергията продукти.

РЕГЛАМЕНТ (ЕС) 2015/1095, имплементиране на Директивата за Екодизайн 2009/125/ЕО по отношение на изискванията за Екодизайн за

професионални охладителни шкафове за съхранение, шкафове за струйно почистване, кондензаторни агрегати и обработващи чилъри.

• Измерванията на кондензаторните агрегати са направени съгласно стандарт EN 13771-2:2007 – Компресори и кондензаторни агрегати за охлаждане – Изпитване на характеристиката и методи за изпитване – Част 2: Кондензаторни агрегати

16 – Гаранция

Винаги прилагайте номера на модел и серийния номер към всеки гаранционен иск, свързан с този продукт.

Гаранцията на продукта може да бъде обезсилена в следните случаи:

- Липса на табелка с данни.
- Външни модификации, в частност пробиване, заваряване, счупени крачета и белези от удар.
- Компресорът е отворен или е върнат неуплътнен.
- Ръжда, вода или боя за откриване на пропуски вътре в компресора.
- Използване на хладилен агент или масло, неодобри от Danfoss.
- Всяко отклонение от препоръчаните инструкции по отношение на инсталирането, приложението или техническото обслужване.
- Използване в мобилни приложения.
- Използване в среда с взривоопасна атмосфера.
- Гаранционният иск не е придружен от номер на модел или сериен номер.

17 – Изхвърляне



Danfoss препоръчва компресорно-кондензаторните агрегати и маслото да се рециклират от подходяща за целта фирма на нейния обект.

Instrucțiuni

Optyma™ Plus

OP-LPQM, OP-MPYM, OP-MPXM,
OP-MPGM, OP-MPBM

Plăcuță de identificare

A	OP-MPXM034MLP00G	 MADE IN INDIA
B	114X4261	
C	Application MBP	IP 54
D	Refrigerant (1) R404A R507 R448A/R449A (2) R134a R407A/R407F/R452A	R513A
E	M.W.P. HP (1) 28 bar (2) 23 bar	M.W.P. LP (1) 7 bar (2) 5 bar
F	Voltage 230 V ~ 1N ~ 50Hz	LRA 60 A MCC 19 A
	OIL INSIDE POE 46	
G	Serial No. 123456CG2816	 11810XXXXX
	EAN No. XXXXXXXXXXXXXXXX	

Danfoss A/S, 6430 Nordborg, Denmark

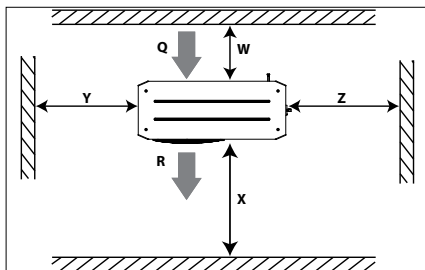


Figura 1: Distanțe minime de montare

Q: Intraire aer **R:** leșire aer

Grup	W [mm]	X [mm]	Y [mm]	Z [mm]
Carcasa 1 (Cod nr. 114X31-- sau 114X41--)	250	550	456	456
Carcasa 2 (Cod nr. 114X32-- sau 114X42--)	250	650	530	530
Carcasa 3 (Cod nr. 114X33-- sau 114X43--)	250	760	581	581
Carcasa 4 (Cod nr. 114X34-- sau 114X44--)	250	900	700	700



⚠ Grupul de condensare trebuie utilizat numai pentru scopul(urile) proiectat(e) și în domeniul său de aplicare.

⚠ În toate situațiile trebuie îndeplinite cerințele EN378 (sau alte reglementări de siguranță aplicabile pe plan local).

Grupul de condensare este livrat cu azot gazos sub presiune (1 bar) și nu poate fi conectată în această stare; consultați secțiunea „instalare” pentru date suplimentare.

Grupul de condensare trebuie manevrat cu atenție în poziție verticală (abatere maximă față de verticală: 15°)



Instalarea și servisarea grupurilor de condensare se efectuează numai de către personal calificat. Respectați aceste instrucțiuni și practicile sigure de inginerie frigorifică referitoare la instalare, punere în funcțiune, întreținere și service.

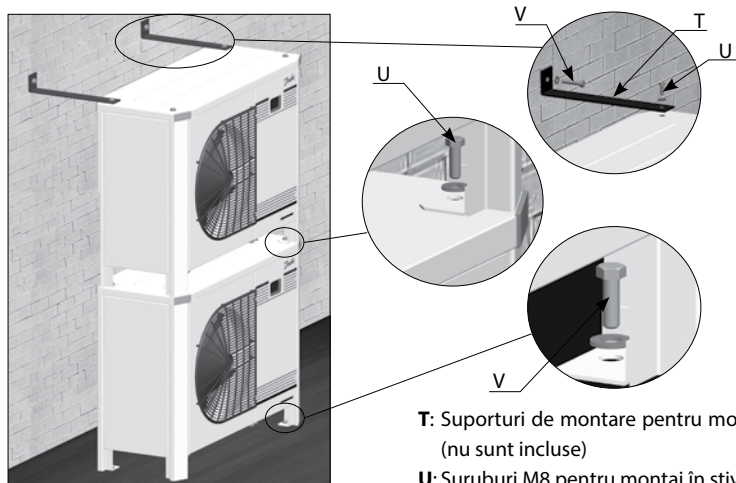


Figura 2: Montaj în stivă

T: Suporturi de montare pentru montaj în stivă (nu sunt incluse)

U: Șuruburi M8 pentru montaj în stivă (incluse)

V: Șuruburi de montare (nu sunt incluse)

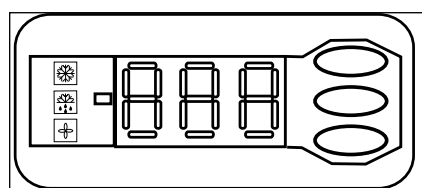


Figura 3: Afișaj controler



Compresor în funcțiune



Rezistență de carter cuplată



Ventilator în funcțiune



Valoarea temperaturii pentru presiunea de aspirație. Apăsăți butonul inferior pentru a comuta la valoarea temperaturii asociată cu presiunea de condensare



Figura 4: Cablare normală

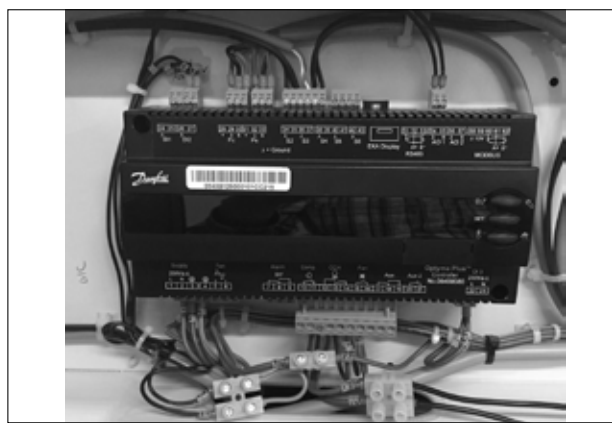


Figura 5: Cablare temporară

Instrucțiuni

1 – Introducere

Aceste instrucțiuni se referă la grupurile de condensare Optyma™ Plus OP-LPHM, OP-MPYM, OP-MPXM, OP-MPGM, OP-MPQM, OP-LPQM și OP-MPBM, utilizate pentru instalații frigorifice. Ele furnizează informațiile necesare referitoare la siguranța și utilizarea corespunzătoare a acestui produs.

Grupul de condensare include următoarele componente:

- Schimbător de căldură cu microcanale
- Compresor cu piston sau scroll
- Rezervor cu robinet de închidere
- Robinete cu bilă
- Vizor de lichid
- Presostate de înaltă și joasă presiune
- Filtru deshidrator înlocuibil
- Controler
- Întrerupător principal (Comutator principal cu protecție la suprasarcină)
- Condensatoare electrice pentru ventilator și compresor
- Contactor compresor
- Carcasă rezistentă și impermeabilă

2 – Manipulare și depozitare

- Este recomandat să nu deschideți ambalajul înainte ca grupul să fie amplasat în locația finală de instalare.
- Manevrați grupul cu grijă. Ambalajul permite utilizarea unui stivuitor cu furcă sau a unei lise. Utilizați echipament de ridicare corespunzător și sigur.
- Depozitați și transportați grupul în poziție verticală.
- Depozitați grupul la o temperatură între -35°C și 50°C.
- Nu expuneți ambalajul la ploaie sau atmosferă corozivă.
- După despachetare, verificați ca grupul să fie complet și intact.

3 – Precauții de instalare

⚠ Nu amplasați niciodată grupul în atmosfere inflamabile

⚠ Amplasați grupul astfel încât să nu fie blocate sau împiedicate zonele de deplasare, ușile, ferestrele sau elementele similare.

- Asigurați spațiu adecvat în jurul grupului pentru circulația aerului și deschiderea ușilor. Consultați figura 1 pentru valori minime ale distanței până la pereți.
- Evitați să instalați grupul în locații care sunt expuse zilnic la lumina directă a soarelui pentru perioade lungi de timp.
- Evitați să instalați grupului în medii agresive și pline de praf.
- Asigurați o fundație cu suprafață orizontală (pantă mai mică de 3°), suficient de rezistentă și stabilă pentru a suporta greutatea întregului grup și a elimina vibrațiile și interferențele.
- Temperatura ambiantă a grupului nu trebuie să depășească 50°C în perioada de repaus.
- Asigurați-vă că tensiunea de alimentare corespunde caracteristicilor grupului (consultați plăcuța de caracteristici).
- Când instalați grupuri pentru agenți frigorifici HFC, utilizați echipament special proiectat pentru aceștia și care nu a mai fost niciodată

folosit pentru agenți frigorifici CFC sau HCFC.

- Utilizați conducte de cupru și material de brazare din aliaj de argint care respectă proprietățile de curățenie și deshidratare necesare circuitelor frigorifice.
- Utilizați componente curate și deshidratate.
- Conductele de aspirație conectate la compresor trebuie să fie flexibile în 3 direcții pentru amortizarea vibrațiilor. În plus, racordarea conductelor trebuie efectuată astfel încât returnul de ulei al compresorului să fie asigurat și riscul de depunere a nămolului lichid în compresor să fie eliminat.

4 – Instalare

- Zona în care grupul de condensare este instalat trebuie să respecte Directiva CEE privind echipamentele sub presiune (PED) nr. 97/23/CE. Grupul de condensare însuși nu este o „unitate” în sensul acestei directive.
- Este recomandat să instalați grupul pe suporturi de cauciuc sau amortizoare de vibrații (nu sunt incluse).
- Este posibil să stivuiți grupurile unul deasupra celuilalt.

Grup	Stivuire maximă
Carcasa 1 (Cod nr. 114X31-- sau 114X41--)	3
Carcasa 2 (Cod nr. 114X32-- sau 114X42--)	2
Carcasa 3 (Cod nr. 114X33-- sau 114X43--)	2
Carcasa 4 (Cod nr. 114X34-- sau 114X44--)	2

- În cazul stivuirii, grupul situat cel mai sus trebuie fixat la perete ca în figura 2.
- Eliberați încet încărcătura de azot prin portul Schrader.
- Conectați grupul la instalație cât mai repede posibil pentru a evita contaminarea uleiului din cauza umezelii ambiante.
- Evitați intrarea materialului în instalație în timp ce tăiați conductele. Nu dați niciodată găuri dacă bavurile nu pot fi eliminate.
- Brazați cu mare atenție, utilizând tehnica modernă și suflați prin conducte un flux de azot gazos.
- Conectați dispozitivele de siguranță și control necesare. Când portul Schrader este folosit în acest scop, îndepărtați supapa internă.
- Este recomandat să izolați conducta de aspirație până la intrarea în compresor cu o izolație de 19 mm grosime.

5 – Identificarea scurgerilor

⚠ Nu presurizați niciodată circuitul cu oxigen sau aer uscat. Aceasta poate provoca incendii sau explozie.

- Nu utilizați vopsea pentru identificarea scurgerilor
- Efectuați un test de detectare a scurgerilor la toată instalația
- Presiunea maximă de testare este 31^{*)} bar.
- Când ați descoperit o scurgere, reparați și repetați testul de detectare a scurgerilor.

^{*) 25 bari pentru modelele OP-.... AJ.... și OP-.... FH....}

6 – Deshidratare în vid

- Nu utilizați niciodată compresorul pentru a goli instalația.
- Conectați o pompă de vid la ambele părți (de

joasă și înaltă presiune).

- Coborâți nivelul de vid al instalației sub 500 μm Hg (0,67 mbar) absolut.
- Nu utilizați un megohmetru și nu porniți compresorul în timp ce acesta este sub vid deoarece pot să apară defecțiuni interne.

7 – Conexiuni electrice

- Opriiți și izolați sursa principală de alimentare cu energie.
- Asigurați-vă că alimentarea cu energie nu se poate activa în timpul instalării.
- Toate componentele electrice trebuie selectate conform standardelor locale și cerințelor grupului.
- Consultați schema electrică pentru informații despre conexiunile electrice.
- Asigurați-vă că sursa de alimentare corespunde caracteristicilor grupului și este stabilă (tensiune nominală ±10% și frecvență nominală ±2,5 Hz)
- Potriviiți cablurile de alimentare în funcție de caracteristicile grupului privind tensiunea și intensitatea.
- Protejați sursa de alimentare și asigurați o împănare corectă.
- Efectuați alimentarea cu energie în funcție de standardele locale și cerințele legale
- Grupul este echipat cu un regulator electronic. Consultați Manualul RS8GDxxx pentru detalii.
- Grupul este echipat cu un comutator principal cu protecție la suprasarcină. Protecția la suprasarcină este prestabilă din fabrică, dar este recomandat să verificați valoarea înainte de a pune grupul în funcțiune. Valoarea pentru protecția la suprasarcină poate fi găsită în schema electrică de pe ușa din față a grupului.
- Grupul este echipat cu presostate de înaltă și joasă presiune ce decuplează automat alimentarea compresorului în cazul activării. Parametri pentru decuplarea la înaltă și joasă presiune sunt preconfigurați în controler și adaptați compresorului montat în unitate.

Pentru grupurile echipate cu un compresor scroll trifazat (OP-MPXMxxxxxxxE) trebuie urmărită secvența corectă a fazelor pentru direcția de rotația a compresorului.

- Determinați secvența fazelor folosind un fazmetru pentru a stabili ordinea fazelor L1, L2 și L3.
- Conectați fazele L1, L2 și L3 la bornele comutatorului principal T1, T2 și T3.

8 – Umplerea instalației

- Nu porniți niciodată compresorul sub vid. Păstrați compresorul oprit.
- Utilizați numai agentul frigorific pentru care este proiectat grupul.
- Introduceți agent frigorific în stare lichid în condensator sau rezervorul de lichid. Asigurați o încărcare lentă a instalației la 4 – 5 bar pentru R404A/R448A/R449A/R407A/R407F/R452A și cca 2 bar pentru R134a, R513A.
- Încărcarea se termină când instalația atinge un nivel de funcționare stabilă nominală.
- Nu lăsați niciodată cilindrul de umplere conectat la circuit.

9 – Configurarea controlerului

- Grupul este echipat cu un controler electronic

Instrucțiuni

ai cărui parametri sunt programați din fabrică pentru a fi utilizați cu aceasta. Consultați manualul RS8GDXXX pentru mai multe informații.

- Implicite, afișajul controlerului prezintă temperatura în °C pentru presiunea de aspirație. Pentru a afișa temperatura corespunzătoare presiunii de condensare, apăsați butonul inferior (figura 3).

Controlerul electronic este preconfigurat din fabrică pentru R404A sau R449A sau R452A sau R134a în funcție de modelul compresorului montat și de aplicația pentru care se utilizează (consultați Anexa din manualul de instalare al controlerului Optyma). Dacă este utilizat un alt agent frigorific, setarea acestuia trebuie schimbată. Parametrul r12 trebuie setat inițial la 0 (comutatorul principal trebuie = oprit).

- Apăsați butonul superior timp de câteva secunde. Apare coloana cu codurile parametrilor.
- Apăsați pe butonul superior sau inferior pentru a găsi codul de parametru o30.
- Apăsați pe butonul din mijloc până când este afișată valoarea acestui parametru.
- Apăsați pe butonul superior sau inferior pentru a selecta noua valoare: 2 = R22, 3 = R134a, 13 = R513A, 17 = R507, 19 = R404A, 20 = R407C, 21 = R407A, 37 = R407F, 40 = R448A, 41 = R449A, 42 = R452A
- Apăsați butonul din mijloc pentru a confirma valoarea selectată.

10 – Verificarea înainte de punerea în funcțiune

▲ Utilizați dispozitive de siguranță precum prestețe și supapa de siguranță în conformitate cu reglementările și standardele de siguranță aplicabile la nivel internațional și local. Asigurați-vă că acestea sunt operaționale și bine configurate.

▲ Asigurați-vă că setările presostatelor de înaltă presiune și supapelor de siguranță nu depășesc presiunea maximă de funcționare a niciunei componente a instalației.

- Verificați dacă toate conexiunile electrice sunt bine fixate și în conformitate cu reglementările locale.
- Atunci când este necesară o rezistență de carter, aceasta trebuie alimentată cu energie timp de cel puțin 12 ore înainte de pornirea inițială și de pornirea efectuată după o oprire îndelungată, în cazul rezistențelor de carter cu curea.
- Grupul este echipat cu un comutator principal cu protecție la suprasarcină. Protecția la suprasarcină este prestabilită din fabrică, dar este recomandat să verificați valoarea acesteia înainte de a pune grupul în funcțiune. Valoarea protecției la suprasarcină poate fi găsită în schema electrică de pe ușa frontală a grupului.

11 – Pornirea

- Nu porniți niciodată grupul dacă nu este încărcat cu agent frigorific.
- Toate robinetele de serviciu trebuie să fie în poziția deschis.
- Ventilul Rotalock de pe recipient trebuie rotit cu 1 tură în direcția de închidere pentru a se obține presiunea corectă de condensare pentru traductorul de presiune.
- Verificați compatibilitatea dintre grup și sursa de alimentare.

- Verificați dacă rezistența de carter funcționează.
- Verificați dacă ventilatorul se rotește liber.
- Verificați dacă folia de protecție a fost îndepărtată de pe spatele condensatorului.
- Echilibrați presiunea IP/JP.
- Puneți grupul sub tensiune. Aceasta trebuie să pornească imediat. În cazul în care compresorul nu pornește, verificați conformitatea cu schema electrică și tensiunea la borne.
- Eventuala rotație în sens invers a compresorului trifazat poate fi detectată după următoarele indicii; compresorul nu acumulează presiune, prezintă un nivel de zgomot prea mare și un consum de energie prea mic. În acest caz, opriți imediat grupul și conectați fazele la bornele potrivite.
- Dacă sensul de rotație este corect, indicația presiunii scăzute de la controler (sau manometrul de joasă presiune) va arăta o presiune în scădere și indicația presiunii înalte (sau manometrul de înaltă presiune) va arăta o presiune în creștere.

12 – Verificare cu grupul în funcțiune

- Verificați sensul de rotație a ventilatorului. Aerul trebuie să curgă dinspre condensator spre ventilator.
- Verificați curentul absorbit și tensiunea.
- Verificați supraîncălzirea de aspirație pentru a reduce riscul de funcționare greoaie.
- Dacă există vizor urmărit nivelului uleiului la pornire și în timpul funcționării pentru a vă asigura că acesta rămâne vizibil.
- Respectați limitele de funcționare.
- Verificați toate conductele pentru a identifica vibrații anormale. Deplasările mai mari de 1,5 mm necesită măsuri corective precum montarea de suporturi pentru conducte.
- Când este necesar poate fi adăugat agent frigorific în fază lichidă în partea de presiune scăzută, cât mai departe de compresor. Compresorul trebuie să funcționeze în timpul acestui proces.
- Nu supraîncărcați instalația.
- Respectați reglementările locale privind recuperarea agentului frigorific din unitate.
- Nu eliberați niciodată agent frigorific în atmosferă.
- Înainte de a părăsi locul de instalare, efectuați o inspecție generală cu privire la curățenie, zgomot și detectarea scurgerilor.
- Înregistrați tipul și cantitatea de agent frigorific, precum și condițiile de funcționare ca referință pentru inspecțiile ulterioare.

13 – Funcționarea de urgență fără controler

În cazul defectării controlerului, grupul de condensare poate fi totuși utilizat atunci când cablarea standard a controlerului (figura 4) este modificată la o cablare temporară (figura 5) așa cum este descris mai jos.

▲ Această modificare poate fi efectuată numai de către electricieni autorizați. Trebuie respectate legislațiile naționale.

▲ Deconectați grupul de condensare de la sursa de alimentare (roțiți comutatorul principal pe poziția oprit)

- Poate fi activat contactul termostatului de cameră la 250 V c.a.
- Scoateți firul 22 (intrare de siguranță DI3) și firul 24 (termostat de cameră DI1) și uniți-le cu o punte terminală izolată de 250 V c.a. 10 mm².
- Scoateți firele 25 (termostat de cameră DI1)

și 11 (alimentare compresor) și puneți-le împreună cu o punte terminală izolată de 10 mm² 250 V c.a.

- Scoateți firul 6 și conectați-l cu puntea terminală pentru firele 11 și 25. Un presostat sau un regulator de viteză pentru ventilator poate fi conectat în serie la firul 6.
- Scoateți firul 14 (încălzitor de carter) și conectați-l la borna 22 a contactorului compresorului.
- Scoateți firul 12 (alimentare rezistență de carter), prelungiți firul cu ajutorul unei punți terminale de 10 mm² 250 V c.a. și a unui cablu maro de 1,0 mm² și conectați-l la borna 21 a contactorului compresorului.
- Îndepărtați blocul extins de la bornele 10 - 19 ale regulatorului.
- Conectați grupul de condensare la sursa de alimentare (roțiți întrerupătorul principal pe poziția cuplat).

14 – Întreținerea

▲ Opriti întotdeauna grupul de la întrerupătorul principal înainte de a deschide ușa(ile) ventilatorului.

▲ Presiunea internă și temperatura de suprafață sunt periculoase și pot cauza vătămări permanente. Operatorii de întreținere și instalatorii necesită aptitudini și scule corespunzătoare. Temperatura conductelor poate depăși 100°C și provoca arsuri severe.

▲ Efectuați inspecțiile periodice de service pentru a asigura fiabilitatea instalației și respecta reglementările locale.

Pentru a preveni apariția problemelor legate de instalație, se recomandă următoarea întreținere periodică:

- Verificați dacă dispozitivele de siguranță sunt funcționale și corect setate.
- Asigurați-vă că instalația nu prezintă scurgeri.
- Verificați curentul absorbit de compresor.
- Asigurați-vă că instalația funcționează într-un mod compatibil cu înregistrările de întreținere anterioară și condițiile ambiante.
- Verificați dacă toate conexiunile electrice sunt în continuare bine strânse.
- Păstrați grupul curat și verificați dacă există rugină și oxidare pe componentele grupului, țevi și conexiunile electrice.

Condensatorul trebuie verificat cel puțin o dată pe an pentru eliminarea blocajelor și dacă este necesar, să fie curățat. Accesul în interiorul condensatorului are loc prin ușa ventilatorului. Bateriile cu microcanale au tendința de a acumula murdărie mai degrabă pe suprafață decât în interior, fapt care le face mai ușor de curățat decât bateriile formate din conducte cu aripioare.

- Opriti grupul de la întrerupătorul principal înainte de a deschide ușa ventilatorului.
- Îndepărtați murdăria, frunzele, fibrele etc. de pe suprafețe cu un aspirator echipat cu o perie sau alt dispozitiv moale. Alternativ, suflați aer comprimat prin baterie de la interior la exterior și frecăți cu o perie moale. Nu folosiți o perie de sârmă. Nu loviți și nu zgăriați bateria cu tubul aspiratorului sau duza de aer.
- Înainte de a închide ușa ventilatorului, întoarceți eleea acestuia ca în figura 6 pentru a evita ca ușa să lovească ventilatorul.

Instrucțiuni

Dacă circuitul de agent frigorific este deschis, prin acesta trebuie suflat cu aer uscat sau azot pentru îndepărtarea umezelii și trebuie montat un nou filtru deshidrator. Dacă agentul frigorific trebuie evacuat, această operație trebuie efectuată astfel încât să nu se scape agent frigorific în mediul înconjurător.

15 – Declarația de conformitate

• **Pressure Equipment Directive 2014/68/EU EN 378-2:2016** – Sisteme de refrigerare și pompe de căldură – Cerințe privind siguranța și mediul înconjurător – Partea 2: Proiectarea, construcția, testarea, inscripționarea și documentația

Directiva 2014/35/UE privind echipamentele de joasă tensiune EN 60335-1:2012 + A11:2014 – Aparate electrocasnice și alte aparate electrice similare – Siguranța – Partea 1: Cerințe generale pentru toate unitățile de condensare menționate mai sus

DIRECTIVA 2009/125/CE privind Eco-de-

signul stabilește cadrul pentru definirea cerințelor de proiectare ecologică a produselor din sectorul energetic.

REGULAMENTUL (UE) 2015/1095 pentru implementarea Directivei 2009/125/CE referitoare la Eco-design cu privire la cerințele de proiectare ecologică pentru dulapurile de depozitare refrigerate profesional, dulapurile cu debit de aer forțat, unitățile de condensare și chillerele de proces.

• Măsurătorile pentru unitățile de condensare se efectuează în conformitate cu standardul „EN 13771-2:2007” – Compresoare și unități de condensare pentru testarea performanțelor de refrigerare și metode de testare – Partea 2: Unități de condensare

16 - Garanția

Transmiteți întotdeauna numărul modelului și numărul de serie împreună cu orice reclamație legată de produs.

Garanția produsului poate fi anulată în următoa-

rele cazuri:

- Absența plăcuței de caracteristici.
- Modificări externe; în particular, perforarea, sudura, picioare rupte și urme de lovituri.
- Compresor deschis sau returnat nesigilat.
- Rugină, apă sau vopsea de detectare a scurgerilor în compresor.
- Utilizarea unui agent frigorific sau a unui lubrifiant neaprobat de Danfoss.
- Orice abatere de la instrucțiunile recomandate cu privire la instalare, aplicare sau întreținere.
- Utilizarea în aplicații mobile.
- Utilizarea în atmosfere explozive.
- Niciun număr de model sau număr de serie nu este transmis împreună cu solicitarea de garanție.

17 – Eliminarea



Danfoss recomandă ca grupurile de condensare și uleiul să fie reciclate de către o companie specializată la sediul acesteia.

Pokyny

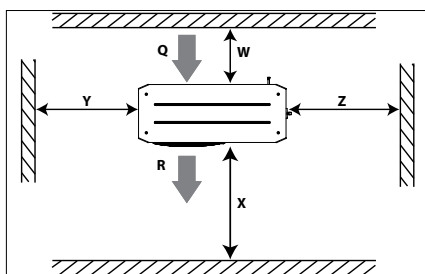
Optyma™ Plus

OP-LPQM, OP-MPYM, OP-MPXM,
OP-MPGM, OP-MPBM

Typový štítek

A	OP-MPXM034MLP00G	 MADE IN INDIA
B	114X4261	
C	Application MBP	IP 54
D	Refrigerant (1) R404A R507 R448A/R449A	(2) R134a R513A
E	M.W.P. HP (1) 28 bar	(2) 23 bar
	M.W.P. LP (1) 7 bar	(2) 5 bar
F	Voltage 230 V ~ 1N ~ 50Hz	
	LRA 60 A	MCC 19 A
	OIL INSIDE POE 46	
G	Serial No. 123456CG2816	
	EAN No. XXXXXXXXXXXXXXX	

Danfoss A/S, 6430 Nordborg, Denmark
 11810XXXXX



Obrázek 1: Minimální montážní vzdálenosti

Q: Vstup vzduchu **R:** Výstup vzduchu

Jednotka	W [mm]	X [mm]	Y [mm]	Z [mm]
Skříň typu 1 (Obj. č.° 114X31-- nebo 114X41--)	250	550	456	456
Skříň typu 2 (Obj. č.° 114X32-- nebo 114X42--)	250	650	530	530
Skříň typu 3 (Obj. č.° 114X33-- nebo 114X43--)	250	760	581	581
Skříň typu 4 (Obj. č.° 114X34-- nebo 114X44--)	250	900	700	700



⚠ Kondenzační jednotka smí být použita pouze k účelům pro něž byla konstruována a v mezích povoleného rozsahu tlaků a teplot.

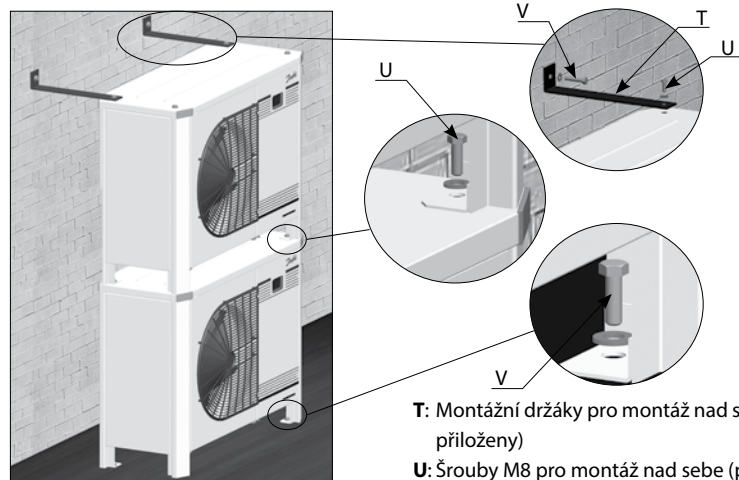
⚠ Za všech okolností musí být splněny požadavky normy EN378 (nebo jiných platných místních bezpečnostních předpisů).

Kondenzační jednotka je dodávána naplněná stlačeným plynným dusíkem (1 bar) a proto ji v tomto stavu nelze ihned připojit; další informace najdete v kapitole «Montáž».

Kondenzační jednotka musí být přemístována ve svislé poloze (max. odklon od svislé osy: 15°).

⚠ Instalaci a servis kondenzačních jednotek mohou provádět pouze kvalifikovaní pracovníci. Při instalaci, uvádění do provozu, údržbě a servisu postupujte podle tohoto návodu a dodržujte správné technické postupy pro práci s chladicími zařízeními.

- A: Model
- B: Objednávací číslo
- C: Aplikace, el. krytí
- D: Chladivo
- E: Max. provozní přetlak tělesa
- F: Napájecí napětí, proud při zablokovaném rotoru a maximální trvalý proud
- G: Výrobní číslo a čárový kód

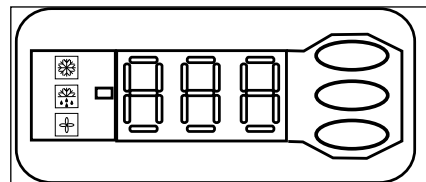


Obrázek 2: Montáž nad sebe

T: Montážní držáky pro montáž nad sebe (nejsou přiloženy)

U: Šrouby M8 pro montáž nad sebe (přiloženy)

V: Montážní šrouby (nejsou přiloženy)



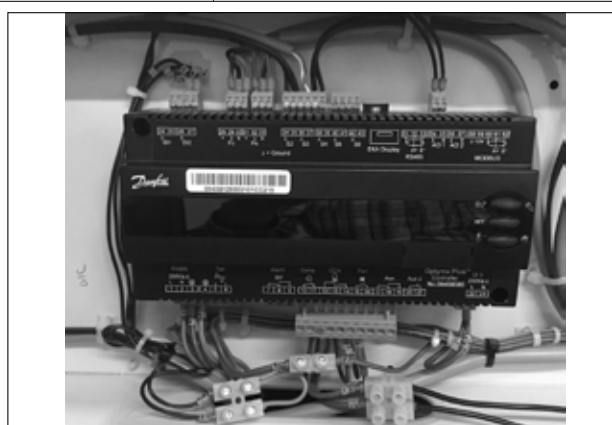
Obrázek 3: Displej elektronického regulátoru

- Kompresor je v provozu
- Zapnuto vyhřívání olejové vany
- Ventilátor je v provozu

Teplota odpovídající sacímu tlaku. Stiskem dolního tlačítka přepnete na teplotu odpovídající kondenzačnímu tlaku



Obrázek 4: Normální zapojení



Obrázek 5: Dočasné zapojení

Pokyny

1 – Úvod

Tento návod platí pro kondenzační jednotky Optima™ Plus OP-LPHM, OP-MPYM, OP-MPXM, OP-MPGM, OP-MPQM, OP-LPQM a OP-MPBM používané pro chladicí zařízení. Návod obsahuje nezbytné informace pro bezpečnou a správnou obsluhu tohoto zařízení.

Kondenzační jednotka se skládá z těchto dílů:

- Mikrokanálový výměník tepla
- Pístový nebo spirálový kompresor
- Sběrač chladiva s uzavíracím ventilem
- Kulové ventily
- Průhledítko
- Vysoko- a nízkotlaké presostaty
- Výměnný filtrdehydrátor
- Elektronický regulátor
- Hlavní jistič (hlavní vypínač s nadproudovou ochranou)
- Kondenzátory ventilátoru a kompresoru
- Stykač kompresoru
- Pevná skříň odolná vůči povětrnostním vlivům

2 – Manipulace a skladování

- Doporučuje se otevřít obal až na místě konečné montáže.
- S jednotkou zacházejte opatrně. Obal umožňuje použití vysokozdvížného vozíku nebo paletového zvedáku. Použijte vhodné a bezpečné zdvihací zařízení.
- Jednotku skladujte a přepravujte ve svislé poloze.
- Jednotku skladujte při teplotách od -35 do 50 °C.
- Chraňte obal před deštěm a korozivním prostředím.
- Po rozbalení zkontrolujte, zda je jednotka kompletní a nepoškozená.

3 – Pokyny pro montáž

⚠ Jednotku nikdy nedávejte do snadno vznětlivého prostředí.

⚠ Umístěte jednotku tak, aby neblokovala nebo nepěkážela v místech, kde se chodí, kde jsou dveře nebo okna apod.

- Ponechte kolem jednotky dostatečný prostor na cirkulaci vzduchu a na otevření dvířek. Minimální vzdálenosti od stěny jsou uvedeny na obrázku 1.
- Neinstalujte jednotku do míst, kam dlouhodobě svítí přímé slunce.
- Neinstalujte jednotku do agresivních a prašných prostředí.
- Zajistěte dostatečně pevný a stabilní vodorovný základ pro jednotku (sklon menší než 3°), který udrží celou hmotnost jednotky a eliminuje vibrace a interference.
- Teplota prostředí kolem jednotky nesmí v době, kdy je vypnuta, překročit 50 °C.
- Zajistěte, aby napájení odpovídalo jmenovitým hodnotám jednotky (viz výrobní štítek).

- Při instalaci jednotek pro chladiva HFC použijte pouze nářadí určené pro práci s chladivem HFC, které nebylo nikdy použito s chladivem CFC nebo HCFC.
- Používejte čisté a dehydrované měděné trubky určené pro chladicí zařízení a při pájení použijte stříbrnou pájku.
- Do zařízení montujte jen čisté a vysušené díly.
- Sací potrubí připojené ke kompresoru musí být vedeno tak, aby pružilo ve třech směrech a tak tlumilo vibrace. Potrubí je třeba vést tak, aby bylo umožněno vrácení oleje do kompresoru a zamezilo se riziku hromadění kapalného chladiva v kompresoru.

4 – Montáž

- Zařízení, do kterého je kondenzační jednotka montována, musí vyhovovat směrnici EEC o tlakových zařízeních (PED) č. 97/23/ES. Samotná kondenzační jednotka není „jednotkou“ ve smyslu této směrnice.
- Doporučuje se namontovat jednotku na pryžové podložky nebo silentbloky (nejsou součástí dodávky).
- Jednotky lze namontovat na sebe (stohovat).

Jednotka	Maximální stohování
Skříň typ 1 (Obj. č. 114X31-- nebo 114X41--)	3
Skříň typ 2 (Obj. č. 114X32-- nebo 114X42--)	2
Skříň typ 3 (Obj. č. 114X33-- nebo 114X43--)	2
Skříň typ 4 (Obj. č. 114X34-- nebo 114X44--)	2

- Při montáži na sebe musíte nejvýše umístěnou jednotku připevnit ke stěně, viz obr. 2.
- Pomalu vypusťte dusík ventilkem Schrader.
- Co nejrychleji připojte jednotku k chladicímu zařízení, aby nebyl olej kontaminován vlhkostí z okolního vzduchu.
- Při řezání trubek dbejte, aby do systému nevnikli žádné cizí materiály. Nikdy nevrtejte otvory tam, kde nelze odstranit ořezky.
- Spoje pečlivě pájejte s použitím moderní techniky, potrubí přitom profukujte dusíkem.
- Připojte požadované bezpečnostní a regulační přístroje. Pokud k tomu použijete otvor ventilkou Schrader, odmontujte vnitřek ventilkou.
- Doporučuje se izolovat sací potrubí až ke vstupu do kompresoru izolací o tloušťce 19 mm.

5 – Detekce netěsností

⚠ Nikdy netlakujte okruh kyslíkem nebo suchým vzduchem. Mohlo by dojít k požáru nebo výbuchu.

- Nepoužívejte indikační kapalinu k detekci netěsností.
- Zkoušku těsnosti proveďte na kompletně smontovaném zařízení.
- Maximální povolený zkušební přetlak je 31^{*)} barů.
- Pokud objevíte netěsnost, opravte ji a zkoušku těsnosti zopakujte.

*) 25 barů pro modely OP-.....AJ.... a OP-.....FH....

6 – Vakuové odstranění vlhkosti

- Nikdy nepoužívejte kompresor k vakuování chladicího okruhu.
- Připojte vývěvu k vysokotlaké i k nízkotlaké straně okruhu.
- V systému dosáhněte vakua nižšího než 500 μm Hg (0,67 mbar).
- Je-li v systému vakuum, nepoužívejte na kompresoru megaohmmetr ani kompresor nepřipojujte k el. síti, mohl by se poškodit.

7 – Elektrické zapojení

- Vypněte a odpojte hlavní přívod el. proudu.
- Zajistěte, aby během instalace nemohl být zapnut přívod el. proudu.
- Všechny elektrické díly musí vyhovovat místním el. normám i požadavkům, vyplývajícím z konstrukce jednotky.
- Podrobnější informace o elektrickém zapojení najdete ve schématu zapojení.
- Parametry přívodu el. proudu musí odpovídat jmenovitým hodnotám jednotky a zároveň musí být stabilní (jmenovité napětí ±10 % a jmenovitá frekvence ±2,5 Hz).
- Kapacita přívodních kabelů musí odpovídat požadovanému napětí a proudu jednotky.
- Chraňte přívod el. proudu a zajistěte správné uzemnění.
- Přívod el. proudu zapojte v souladu s místními normami a požadavky.
- Jednotka je vybavena elektronickým regulátorem. Podrobnosti najdete v příručce RS8GDxxx.
- Jednotka je vybavena hlavním vypínačem s nadproudovou ochranou. Nadproudová ochrana je nastavena z výroby, přesto doporučujeme zkontrolovat před uvedením jednotky do provozu její nastavení. Hodnotu nastavení najdete ve schématu zapojení v předních dvířkách jednotky.
- Jednotka je vybavena vysokotlakými a nízkotlakými presostaty, které v případě aktivace přímo odpojí napájení kompresoru. Parametry pro vypínání vysokotlakých a nízkotlakých presostatů jsou přednastaveny v regulátoru podle typu kompresoru použitého v jednotce.

U jednotek s třífázovým spirálovým kompresorem (OP-MPXMxxxxxxxE) změňte pořadí fází tak, aby se kompresor otáčel správným směrem. Správné pořadí fází určete fázoměrem (L1, L2 a L3).

- Připojte fáze L1, L2 a L3 ke svorkám hlavního vypínače T1, T2 a T3.

8 – Plnění chladicího okruhu

- Nikdy nezapínejte kompresor pokud je v okruhu vakuum. Ponechte kompresor vypnutý.
- Používejte pouze chladivo, pro které je jednotka určena.
- Chladivo v kapalném stavu pomalu plňte do kondenzátoru nebo sběrače kapalného chladiva, okruh natlakujte na 4–5 barů u chladiva R404A/R448A/R449A/R407A/R407F/R452A a na cca 2 bary u chladiva R134a, R513A.

Pokyny

- Zbývající doplnění chladiva se provádí až když zařízení během provozu dosáhne ustáleného jmenovitého stavu.
- Nikdy nenechte plnicí válec trvale připojený k okruhu.

9 – Nastavení elektronického regulátoru

- Jednotka je vybavena elektronickým regulátorem, který je z výroby naprogramován na parametry použité v aktuální jednotce. Podrobnosti najdete v příručce RS8GDXXX.
- Při výchozím nastavení se na displeji elektronického regulátoru zobrazuje teplota ve °C odpovídající sacímu tlaku. Pro zobrazení teploty odpovídající kondenzačnímu tlaku stiskněte dolní tlačítko (viz obrázek 3).

Elektronický regulátor je z výroby přednastavený pro chladivo R404A, R449A, R452A nebo R134a v závislosti na modelu namontovaného kompresoru a aplikaci (viz příloha v Návodu k instalaci regulátoru Optyma).. Pokud bude použito jiné chladivo, nastavení chladiva se musí změnit. Parametr r12 se musí nejprve nastavit na 0 (softwarový hlavní vypínač = vypnutý).

- Stiskněte a několik sekund podržte horní tlačítko. Zobrazí se sloupec s parametrickými kódy.
- Stiskem horního nebo dolního tlačítka najdete parametrický kód o30.
- Stiskněte prostřední tlačítko, dokud se nezobrazí hodnota tohoto parametru.
- Stiskem horního nebo dolního tlačítka vyberte novou hodnotu: 2 = R22, 3 = R134a, 13 = R513A, 17 = R507, 19 = R404A, 20 = R407C, 21 = R407A, 37 = R407F, 40 = R448A, 41 = R449A, 42 = R452A.
- Stiskněte prostřední tlačítko pro potvrzení vybrané hodnoty.

10 – Kontrola před uvedením do provozu

⚠ Bezpečnostní zařízení, jako jsou např. bezpečnostní přetlakový jistič a mechanický pojistný ventil, používejte v souladu s všeobecnými i místními platnými předpisy a bezpečnostními normami. Zkontrolujte, zda jsou funkční a správně nastavené.

⚠ Zkontrolujte, zda nastavení vysokotlakých presostatů a pojistných ventilů nepřekračuje maximální provozní tlak kteréhokoliv dílu použitého v zařízení.

- Ověřte, zda jsou všechna elektrická připojení řádně provedena a odpovídají místním předpisům.
- Pokud je zapotřebí ohřívač klikové skříně, jednotka musí být napájena alespoň 12 hodin před prvním uvedením do provozu nebo spuštěním po delší době nečinnosti. To platí pro ohřívače klikové skříně pásového typu.
- Jednotka je vybavena hlavním vypínačem s nadproudovou ochranou. Nadproudová ochrana je nastavena z výroby, přesto doporučujeme před uvedením jednotky do provozu zkontrolovat její nastavení. Hodnotu nastavení nadproudové ochrany najdete ve schématu zapojení v předních dvířkách jednotky.

11 – Spuštění

- Nikdy nespouštějte jednotku bez náplně chladiva.
- Všechny provozní ventily musí být otevřeny.
- Uzavírací ventil Rotalock na sběrači se musí otočit o 1 otáčku směrem k uzavření, abyste získali správný kondenzační tlak pro převodník tlaku.
- Zkontrolujte správnost parametrů přívodu el. proudu.
- Zkontrolujte, zda funguje vyhřívání olejové vany.
- Zkontrolujte, zda se ventilátor volně otáčí.
- Zkontrolujte, zda byl sundán ochranný kryt ze zadní strany kondenzátoru.
- Vyrovnajte tlak mezi vysokotlakou a nízkotlakou stranou.
- Zapněte jednotku. Musí se ihned rozeběhnout. Pokud se jednotka nerozeběhne, zkontrolujte správnost elektrického zapojení a napětí na přírodních svorkách.
- Případný obrácený směr otáčení u třífázového kompresoru poznáte podle těchto příznaků: kompresor nevytváří tlak, je velmi hlučný a má nezvykle nízkou spotřebu energie. V tomto případě ihned vypněte jednotku a změňte pořadí fází.
- Pokud je směr otáčení správný, bude sací tlak klesat (viz indikace nízkého tlaku na regulátoru nebo nízkotlaký manometr) a výtlačný tlak stoupat (viz indikace vysokého tlaku nebo vysokotlaký manometr).

12 – Kontroly u spuštěné jednotky

- Zkontrolujte směr otáčení. Vzduch musí proudit od kondenzátoru směrem k ventilátoru.
- Zkontrolujte odběr proudu a napětí.
- Zkontrolujte, zda není příliš vysoké přehřátí chladiva v sání, snížíte tak nebezpečí poškození zařízení.
- Pokud má kompresor hladinový kontroluje při spuštění a během provozu hladinu oleje, hladina oleje musí být vidět v hladinovém okénku.
- Dodržujte provozní limity.
- Zkontrolujte, zda nedochází k nadměrným vibracím potrubí. Výkyvy potrubí překračující 1,5 mm musí být odstraněny, např. instalací držáků potrubí.
- V případě potřeby doplňte chladivo v kapalném stavu na nízkotlaké straně, a to co nejdále od kompresoru. Během doplňování chladiva musí běžet kompresor.
- Neplňte do zařízení více chladiva než je max. povolená náplň.
- Dodržujte místní předpisy pro recyklaci chladiva z jednotky.
- Nikdy nevypouštějte chladivo do ovzduší.
- Před opuštěním místa instalace proveďte celkovou kontrolu zařízení zaměřenou na čistotu, hlučnost a těsnost.
- Pro budoucí kontroly si poznamenejte typ chladiva a množství náplně a také provozní podmínky.

13 – Nouzový provoz bez regulátoru

Dojde-li k závadě regulátoru, kondenzační jednotka může stále fungovat, když standardní zapojení regulátoru (viz obrázek 4) změňte na dočasné zapojení (viz obrázek 5) podle popisu uvedeného níže.

⚠ Tuto změnu zapojení mohou provádět pouze kvalifikovaní elektrikáři. Při zapojování musíte dodržovat místní předpisy.

⚠ Odpojte kondenzační jednotku od přívo-
duel. proudu (vypněte hlavní vypínač).

- Kontakty prostorového termostatu musí být schopny spínat napětí 250 Vstř.
- Odpojte od svorkovnice vodič 22 (bezpečnostní vstup DI3) a vodič 24 (prostorový termostat DI1) a spojte je k sobě izolovanou svorkovou spojkou 250 Vstř. 10mm².
- Odpojte vodič 25 (pokojový termostat DI1) a vodič 11 (napájení kompresoru) a připojte je k sobě izolovaným svorkovnicovým spojovacím blokem 250 VAC 10mm².
- Odpojte vodič 6 a připojte jej svorkovnicovým spojovacím blokem k vodičům 11 a 25. Tlakový spínač ventilátoru nebo regulátor otáček ventilátoru lze sériově připojit k vodiči 6.
- Odpojte vodič 14 (ohřívač klikové skříně) a připojte jej ke svorce 22 stykače kompresoru.
- Odpojte vodič 12 (napájení ohřívače klikové skříně), prodlužte tento vodič pomocí svorkovnicového spojovacího bloku 250 VAC 10mm² a hnědého kabelu 1,0 mm² a připojte jej ke svorce 21 stykače kompresoru.
- Odpojte velký svorkovnicový blok od svorek regulátoru č. 10 až 19.
- Připojte kondenzační jednotku k přívodu el. energie (zapněte hlavní vypínač).

14 – Údržba

⚠ Před otevřením dvířek ventilátoru vždy vypněte jednotku hlavním vypínačem.

⚠ Vnitřní tlak a povrchová teplota jsou nebezpečné a mohou způsobit vážná zranění. Pracovníci údržby a technici musí mít dostatečné odborné znalosti a správné nástroje. Teplota uvnitř potrubí může překročit 100 °C a způsobit vážné popálení.

⚠ Zajistěte provádění pravidelných servisních prohlídek, čímž zvýšíte spolehlivost systému a pravidelné revize podle místních předpisů.

Abyste zajistili bezporuchový provoz chladicího zařízení doporučujeme tuto pravidelnou preventivní údržbu:

- Kontrolujte zda jsou bezpečnostní prvky funkční a správně nastavené.
- Kontrolujte těsnost zařízení.
- Kontrolujte odběr proudu kompresorem.
- Prověřte, zda funkce zařízení odpovídá záznamům z předchozí údržby a okolním podmínkám.
- Kontrolujte řádné zapojení a stav všech elektrických spojů.

Pokyny

- Udržujte zařízení v čistotě a kontrolujte, zda jeho součásti, potrubí a elektrické spoje nejsou zkorodované a zoxidované.

Nejméně jednou ročně kontrolujte, zda není kondenzátor ucpaný, a případně jej vyčistěte. K vnitřní straně kondenzátoru se dostanete po otevření dvířek ventilátoru. Mikrokanálové kondenzátory se znečišťují spíše na povrchu než uvnitř, díky tomu se čistí snadněji než kondenzátory s žebrovanými trubkami.

- Před otevřením dvířek ventilátoru vypněte jednotku hlavním vypínačem.
- Povrchové nečistoty, listy, vlákna atd. odstraňujte vysavačem s kartáčovým nebo jiným měkkým nástavcem. Také můžete profouknout výměňkovou plochu stlačeným vzduchem směrem zevnitř ven a očistit jemným kartáčem. Nepoužívejte drátěný kartáč. Dejte pozor, abyste trubicí vysavače nebo vzduchovou tryskou nenarazili do výměňkové plochy anebo ji nepoškrábali.
- Před zavřením dvířek ventilátoru otočte lopatky ventilátoru do polohy zobrazené na obrázku 6, aby dvířka nenarazila do ventilátoru.

Pokud byl otevřen chladicí okruh, musí se celý okruh propláchnout suchým vzduchem nebo du-

síkem, aby se odstranila vlhkost, a musí se namontovat nový filtrdehydrátor. Při vypouštění chladiva z okruhu zajistěte, aby chladivo neuniklo do okolního ovzduší.

15 – Prohlášení o shodě

• **Pressure Equipment Directive 2014/68/EU EN 378-2:2016** – Chladicí zařízení a tepelná čerpadla – Bezpečnostní a environmentální požadavky – Část 2: Konstrukce, výroba, zkoušení, značení a dokumentace **Směrnice pro elektrická zařízení určená pro používání v určitých mezích napětí 2014/35/EU ČSN EN 60335-1:2012 + A11:2014** – Elektrické spotřebiče pro domácnost a podobné účely – Bezpečnost – Část 1: Obecné požadavky – pro všechny výše zmíněné kondenzační jednotky **SMĚRNICE Eco-design 2009/125/ES**, stanovující rámec pro určení požadavků na ekodesign výrobků spojených se spotřebou energie. NARIŽENÍ (EU) 2015/1095, týkající se implementace Směrnice Eco-design 2009/125/ES z hlediska požadavků na ekodesign profesionálních chladicích skříní, pískovacích boxů, kondenzačních jednotek a procesních chladicích zařízení.

- Měření kondenzačních jednotek se provádí v souladu s normou „EN 13771-2:2007“ – Kompresory a kondenzační jednotky pro chlazení – Měření výkonnosti a zkušební metody – Část 2: Kondenzační jednotky

16 – Záruka

Při každé reklamaci tohoto zařízení vždy uvádějte číslo modelu a výrobní číslo.

Záruka na zařízení může pozbyt platnosti v následujících případech:

- Chybí výrobní štítek.
- Došlo k úpravám zevnějšku, zejména vrtáním, svařováním, jsou poškozené nohy nebo jsou patrné známky nárazů.
- Kompresor byl rozříznut nebo byl vrácen s otevřenými trubkami.
- Uvnitř kompresoru je rez, voda nebo indikační kapalina pro detekci netěsností.
- Použití chladiva nebo oleje neschváleného společností Danfoss.
- Jakékoli nedodržení doporučených pokynů týkajících se instalace, použití nebo údržby.
- Použití v mobilních aplikacích.
- Použití ve výbušném prostředí.
- Při uplatňování reklamace nebyl uveden typ (model) výrobku nebo jeho výrobní číslo.

17 – Likvidace



Danfoss doporučuje, aby kondenzační jednotky a oleje byly předány k recyklaci příslušným firmám nebo zařízením.

Instrukcje

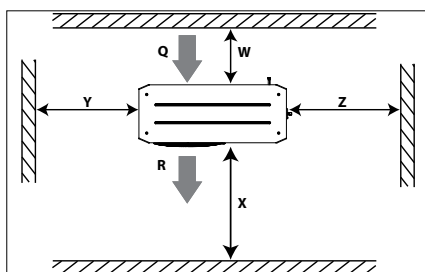
Optima™ Plus

OP-LPQM, OP-MPYM, OP-MPXM,
OP-MPGM, OP-MPBM

Tabliczka znamionowa

A	OP-MPXM034MLP00G		MADE IN INDIA
B	114X4261		
C	Application MBP	IP 54	
D	Refrigerant (1) R404A R507 R448A/R449A R407A/R407F/R452A	(2) R134a R513A	
E	M.W.P. HP (1) 28 bar	(2) 23 bar	
	M.W.P. LP (1) 7 bar	(2) 5 bar	
F	Voltage 230 V ~ 1N ~ 50Hz		
	LRA 60 A	MCC 19 A	
	OIL INSIDE POE 46		
G	Serial No. 123456CG2816		118UBXXXX
	EAN No. XXXXXXXXXXXXXXX		

Danfoss A/S, 6430 Nordborg, Denmark



Rysunek 1: Minimalne przeszyty

Q: Wlot powietrza R: Wylot powietrza

Jednostka	W [mm]	X [mm]	Y [mm]	Z [mm]
Obudowa 1 (Nr kodowy 114X31– lub 114X41–)	250	550	456	456
Obudowa 2 (Nr kodowy 114X32– lub 114X42–)	250	650	530	530
Obudowa 3 (Nr kodowy 114X33– lub 114X43–)	250	760	581	581
Obudowa 4 (Nr kodowy 114X34– lub 114X44–)	250	900	700	700



⚠ Agregat skraplający należy używać wyłącznie do celów zgodnych z przeznaczeniem oraz w zakresie przewidzianych dla niego zastosowań.

⚠ Niezależnie od okoliczności należy bezwzględnie przestrzegać wymogów normy EN378 (lub innych obowiązujących krajowych przepisów bezpieczeństwa).

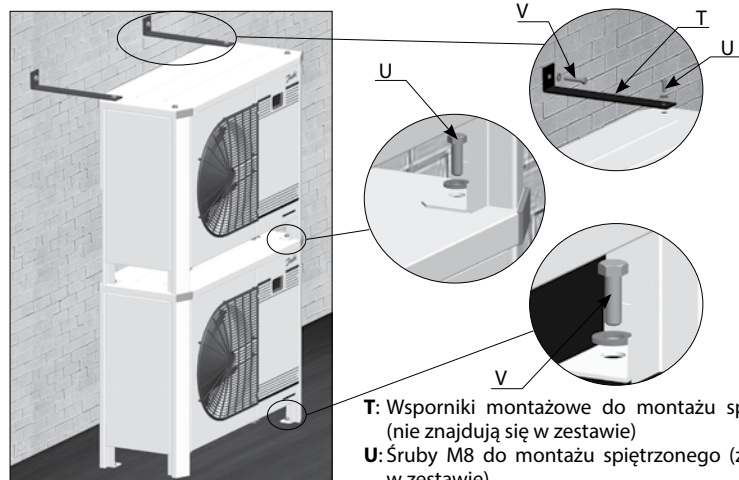
Dostarczony agregat skraplający jest napełniony azotem (o ciśnieniu 1 bara), dlatego nie należy go podłączać w takim stanie; należy zapoznać się z dodatkowymi informacjami podanymi w części «montaż».

Zachować ostrożność podczas transportu agregatu skraplającego i nie odchyłać go od pionu (maksymalne dopuszczalne odchylenie od pionu: 15°)



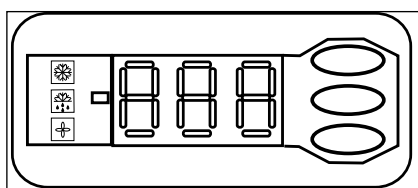
Agregaty skraplające mogą być instalowane i serwisowane wyłącznie przez wykwalifikowany personel. Należy postępować zgodnie z tymi instrukcjami oraz dobrymi praktykami techniki chłodniczej dotyczącymi instalacji, uruchamiania, konserwacji i serwisowania.

- A: Model
- B: Numer kodowy
- C: Zastosowanie, stopień ochrony
- D: Czynnik chłodniczy
- E: Maksymalne ciśnienie robocze
- F: Napięcie zasilania, prąd rozruchu wirnika (LRA), maks. prąd pracy (MCC)
- G: Numer seryjny i kod kreskowy



Rysunek 2: Montaż ścienny

- T: Wsporniki montażowe do montażu ściennego (nie znajdują się w zestawie)
- U: Śruby M8 do montażu ściennego (znajdują się w zestawie)
- V: Śruby montażowe (nie znajdują się w zestawie)

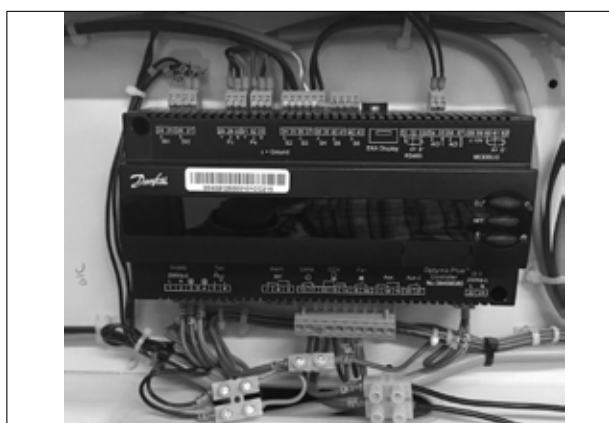


Rysunek 3: Wyświetlacz regulatora elektronicznego

- Sprężarka pracuje
- Grzałka karteru sprężarki włączona
- Wentylator pracuje
- Wartość temperatury dla ciśnienia ssania
- Naciśnąć dolny przycisk, aby przelączyć na wartość temperatury dla ciśnienia skraplania



Rysunek 4: Okablowanie normalne



Rysunek 5: Okablowanie tymczasowe

Instrukcje

1 – Wprowadzenie

Niniejsze instrukcje odnoszą się do agregatów skraplających Optima™ Plus OP-LPHM, OP-MPYM, OP-MPXM, OP-MPGM, OP-MPQM, OP-LPQM i OP-MPBM stosowanych w układach chłodniczych. Zawierają podstawowe informacje na temat bezpieczeństwa i prawidłowego użytkowania tego produktu.

Skraplarki składają się z następujących elementów:

- Mikrokanałowy wymiennik ciepła
- Sprężarka tłokowa lub spiralna
- Zbiornik czynnika z zaworem odcinającym
- Zawory kulowe
- Wziernik
- Przelączniki wysokiego i niskiego ciśnienia
- Filtr odwadniacz
- Regulator elektroniczny
- Bezpiecznik główny (wyłącznik główny z zabezpieczeniem przeciążeniowym)
- Kondensatory wentylatora i sprężarki
- Stycznik sprężarki
- Solidna obudowa chroniąca przed czynnikami atmosferycznymi

2 – Przenoszenie i magazynowanie

- Zaleca się nie otwierać opakowania przed umieszczeniem urządzenia w docelowym miejscu instalacji.
- Zachowywać ostrożność podczas przenoszenia. Opakowanie jest przystosowane do przenoszenia za pomocą wózka widłowego lub wózka ręcznego do palet. Używać wyłącznie przystosowanego i bezpiecznego sprzętu do podnoszenia.
- Magazynować i transportować urządzenie w pozycji pionowej.
- Magazynować urządzenie w temp. od -35°C do 50°C.
- Nie narażać urządzenia ani jego opakowania na opady deszczu czy też warunki atmosferyczne powodujące korozję.
- Po rozpakowaniu sprawdzić, czy urządzenie jest kompletne i nieuszkodzone.

3 – Środki ostrożności podczas montażu

⚠ Nigdy nie używać urządzenia w atmosferze łatwopalnej.

⚠ Urządzenie należy usytuować w taki sposób, aby nie utrudniało poruszania się i nie blokowało przejść roboczych, drzwi oraz nie zasłaniało okien itp.

- Zapewnić odpowiednią przestrzeń wokół urządzenia dla umożliwienia obiegu powietrza i otwierania drzwiczek. Minimalne odległości od ścian przedstawiono na rys. 1.
- Unikać montażu urządzenia w miejscach, które są przez dłuższy czas wystawione na bezpośrednie działanie promieni słonecznych.
- Unikać montażu urządzenia w miejscach narażonych na działanie kurzu i innych niebezpiecznych czynników otoczenia.
- Wybrać podłoże o poziomej nawierzchni (nachylenie poniżej 3°), odpowiednio mocne i stabilne, aby mogło podtrzymywać całą masę urządzenia oraz eliminować drgania i zakłócenia.
- Temperatura otoczenia urządzenia nie może przekraczać 50°C.
- Upewnić się, że napięcie zasilania odpowiada charakterystyce urządzenia (patrz tabliczka znamionowa).
- Podczas instalacji urządzeń HFC stosować sprzęt przeznaczony specjalnie do czynników

chłodniczych HFC, który nigdy wcześniej nie był używany do czynników chłodniczych CFC ani HCFC.

- Używać czystych i osuszonych rur miedzianych przeznaczonych do kontaktu z czynnikami chłodniczymi oraz materiałów lutu ze stopów srebra.
- Używać czystych i osuszonych podzespołów układu.
- Przewody rurowe podłączone do sprężarki muszą być elastyczne w trzech wymiarach, aby możliwe było tłumienie drgań. Dodatkowo przewody rurowe należy wykonać w taki sposób, aby umożliwić powrót oleju sprężarki i wyeliminować ryzyko przemieszczenia płynu do sprężarki.

4 – Montaż

- Instalacja, do której podłącza się agregat skraplający, musi być zgodna z europejską dyrektywą dotyczącą urządzeń ciśnieniowych (PED) nr 97/23/WE. W świetle tej dyrektywy opisywane agregaty skraplające nie stanowią samodzielnego urządzenia.
- Zaleca się montować agregat skraplający na gumowych tulejach lub tłumikach drgań (nie dołączono do zestawu).
- Istnieje możliwość montażu spiętrzonego, jednego urządzenia na drugim.

Jednostka	Maks. ilość spiętrzonych urządzeń
Obudowa 1 (Nr kodowy 114X31– lub 114X41–)	3
Obudowa 2 (Nr kodowy 114X32– lub 114X42–)	2
Obudowa 3 (Nr kodowy 114X33– lub 114X43–)	2
Obudowa 4 (Nr kodowy 114X34– lub 114X44–)	2

- W przypadku montażu spiętrzonego szczytowe urządzenie musi być zamontowane do ściany, jak przedstawiono na rys. 2.
- Powoli usunąć azot przez zawór Schradera.
- Jak najszybciej podłączyć urządzenie do układu, aby uniknąć zanieczyszczenia oleju wilgocią z otoczenia.
- Nie dopuścić do przedostania się materiału do układu podczas cięcia rur. Nigdy nie wiercić otworów w przypadku braku możliwości wyjścia zadziarów.
- Lutować z zachowaniem szczególnej ostrożności, stosując najnowocześniejsze techniki oraz przepuszczając azot przez przewody rurowe.
- Podłączyć wymagane urządzenia bezpieczeństwa i sterowania. W przypadku używania zaworu Schradera wymontować zawór wewnętrzny.
- Zaleca się zaizolować rurę ssawną dochodzącą do wlotu sprężarki za pomocą izolacji o grubości 19 mm.

5 – Wykrywanie nieszczelności

⚠ Nigdy nie napełniać obwodu tlenem ani suchym powietrzem. Może to być przyczyną pożaru lub eksplozji.

- Nie używać barwników do wykrywania nieszczelności.
- Przeprowadzić próbę szczelności na kompletnym układzie.
- Maksymalne ciśnienie próbne wynosi 31^{*)} bary.
- Po wykryciu nieszczelności należy ją usunąć i powtórzyć próbę.

^{*) 25 bar dla modeli OP-.....AJ.... & OP-.....FH....}

6 – Osuszanie próżniowe

- Nigdy nie używać sprężarki do usuwania gazu z układu.
- Podłączyć pompę próżniową do stron niskiego i wysokiego ciśnienia.
- Obciążać układ podciśnieniem bezwzględny 500 µm Hg (0,67 mbar).
- Nie używać megiomierza ani nie podłączać sprężarki do zasilania podczas obciążenia podciśnieniem, ponieważ mogłoby to spowodować wewnętrzne uszkodzenie.

7 – Podłączenie podzespołów elektrycznych

- Wyłączyć i odizolować główne źródło zasilania.
- Upewnić się, że zasilanie nie będzie mogło zostać przypadkowo włączone podczas montażu.
- Wszystkie podzespoły elektryczne należy dobierać zgodnie z normami lokalnymi i wymogami urządzenia.
- Szczegółowe informacje dotyczące połączeń elektrycznych zamieszczono na schemacie okablowania.
- Upewnić się, że napięcie zasilania odpowiada charakterystyce urządzenia i jest stabilne (napięcie znamionowe ±10% i częstotliwość znamionowa ±2,5 Hz).
- Przekroje przewodów zasilających należy dobrać zgodnie z parametrami napięcia i prądu wymaganymi przez urządzenie.
- Zabezpieczyć zasilanie i zapewnić prawidłowe uziemienie.
- Zasilanie należy doprowadzić zgodnie z obowiązującymi lokalnie normami i przepisami prawa.
- Agregat jest wyposażony w sterownik elektroniczny. Szczegółowe informacje można znaleźć w instrukcji RS8GDxxx.
- Urządzenie jest wyposażone w wyłącznik główny z zabezpieczeniem przeciążeniowym. Zabezpieczenie przeciążeniowe zostało ustawione fabrycznie, ale zaleca się sprawdzić jego nastawę przed uruchomieniem urządzenia. Wartość nastaw zabezpieczenia przeciążeniowego można odczytać ze schematu połączeń elektrycznych znajdującego się na przednich drzwiczkach urządzenia.
- Urządzenie jest wyposażone w przelączniki wysokiego i niskiego ciśnienia, które w przypadku uaktywnienia bezpośrednio odcinają zasilanie od sprężarki. Parametry odcięcia zasilania przy wysokim i niskim ciśnieniu zostały ustawione w regulatorze, stosownie do sprężarki zastosowanej w urządzeniu.

W przypadku urządzeń z 3-fazową sprężarką spiralną (OP-MPXMxxxxxxx) należy przestrzegać ustalonej kolejności faz dla zapewnienia odpowiedniego kierunku obrotów sprężarki.

- Za pomocą czujnika kolejności faz określić kolejność faz L1, L2 i L3.
- Podłączyć przewody faz L1, L2 i L3 do odpowiednich zacisków wyłącznika (odpowiednio T1, T2 i T3).

8 – Napełnianie układu

- Nigdy nie uruchamiać sprężarki obciążonej podciśnieniem. Sprężarka musi być wyłączona.
- Używać wyłącznie czynnika chłodniczego, do którego urządzenie jest przystosowane.
- Nalać czynnik chłodniczy do skraplacza lub zbiornik cieczy. Powoli napełnić układ do uzyskania ciśnienia 4–5 barów w przypadku czynnika R404A/R448A/R449A/R407A/R407F/R452A lub do około 2 barów w przypadku czynnika R134a, R513A.

Instrukcje

- Ostateczne napełnienie wykonuje się do momentu osiągnięcia przez instalację stabilnych, znamionowych warunków roboczych.
- Nigdy nie pozostawiać cylindra napełniania podłączonego do obwodu.

9 – Konfiguracja regulatora elektronicznego

- Urządzenie jest wyposażone w sterownik elektroniczny, w którym fabrycznie zaprogramowano parametry wymagane przez dane urządzenie. Należy się zapoznać ze szczegółowymi informacjami zamieszczonymi w podręczniku RS8GDxxx.
- Domyślnie wyświetlacz regulatora elektronicznego pokazuje wartość temperatury w °C dla ciśnienia ssania. Aby wyświetlić wartość temperatury dla ciśnienia skraplania, nacisnąć dolny przycisk (rys. 3).

Sterownik elektroniczny jest ustawiony fabrycznie na: R404A, R449A, R452A lub R134a w zależności od modelu zamontowanej sprężarki oraz zastosowania (patrz Aneks do instrukcji instalacji sterownika Optyma). Jeśli używany jest inny czynnik chłodniczy, trzeba zmienić ustawienie czynnika w sterowniku. Wcześniej trzeba ustawić parametr r12 na wartość 0 (parametr „Main Switch” sterownika w położeniu wyłączono chłodzenie).

- Wcisnąć górny przycisk na kilka sekund. Pojawi się kolumna z kodami parametrów.
- Nacisnąć górny lub dolny przycisk, aby znaleźć kod parametru o30.
- Nacisnąć środkowy przycisk, aż zostanie wyświetlona wartość tego parametru.
- Nacisnąć górny lub dolny przycisk, aby wybrać nową wartość: 2 = R22, 3 = R134a, 13 = R513A, 17 = R507, 19 = R404A, 20 = R407C, 21 = R407A, 37 = R407F, 40 = R448A, 41 = R449A, 42 = R452A.
- Nacisnąć środkowy przycisk, aby zatwierdzić wybraną wartość.

10 – Sprawdzenie przed uruchomieniem

△ Używać urządzeń bezpieczeństwa takich jak ciśnieniowe wyłączniki bezpieczeństwa oraz mechaniczny zawór nadmiarowy zgodne z obowiązującymi przepisami ogólnymi i lokalnymi oraz normami bezpieczeństwa. Sprawdzić, czy te urządzenia są sprawne i prawidłowo ustawione.

△ Sprawdzić, czy ustawienia wyłączników wysokiego ciśnienia i zaworów nadmiarowych nie przekraczają maksymalnego ciśnienia roboczego któregośkolwiek z podzespołów układu.

- Sprawdzić, czy wszystkie podłączenia elektryczne są odpowiednio przymocowane i zgodne z przepisami lokalnymi.
- Gdy wymagana jest grzałka karteru sprężarki, należy podłączyć zasilanie agregatu co najmniej 12 godzin przed pierwszym uruchomieniem i uruchomić po dłuższym wyłączeniu (w przypadku grzałki opaskowej karteru sprężarki).
- Urządzenie jest wyposażone w wyłącznik główny z zabezpieczeniem przeciążeniowym. Zabezpieczenie przeciążeniowe zostało ustawione fabrycznie, ale zaleca się sprawdzić jego nastawę przed uruchomieniem urządzenia. Wartość nastawy zabezpieczenia przeciążeniowego można odczytać ze schematu połączeń elektrycznych znajdującego się na przednich drzwiczkach urządzenia.

11 – Uruchomienie

- Nigdy nie uruchamiać urządzenia przy braku czynnika chłodniczego.
- Wszystkie zawory serwisowe muszą być otwarte.
- Zawór rotalock na odbiorniku musi zostać obrócony o 1 obrót w kierunku zamknięcia, aby uzyskać właściwe ciśnienie skraplania dla przetwornika ciśnienia.
- Sprawdzić zgodność parametrów urządzenia z dostępnym zasilaniem.
- Sprawdzić, czy grzałka skrzyni korbowej jest włączona.
- Sprawdzić, czy wentylator może swobodnie się obracać.
- Sprawdzić, czy zdjęto osłonę z tylnej części skraplacza.
- Zrównoważyć wartości ciśnienia po stronie wysokiego i niskiego ciśnienia.
- Podłączyć urządzenie do zasilania energią elektryczną. Sprężarka musi się niezwłocznie uruchomić. Jeżeli sprężarka się nie uruchamia, sprawdzić zgodność okablowania i napięcie na zaciskach.
- Ewentualne odwrotne obroty sprężarki 3-fazowej można wykryć na podstawie następujących objawów: praca sprężarki nie powoduje wzrostu ciśnienia, sprężarka jest wyjątkowo głośna i pobiera bardzo mało prądu. W takiej sytuacji należy niezwłocznie wyłączyć urządzenie i prawidłowo podłączyć przewody faz do zacisków na urządzeniu.
- Gdy kierunek obrotów jest prawidłowy, wskazanie niskiego ciśnienia na regulatorze (lub manometrze niskiego ciśnienia) powinno pokazywać spadek ciśnienia, a wskazanie wysokiego ciśnienia na regulatorze (lub manometrze wysokiego ciśnienia) powinno pokazywać wzrost ciśnienia.

12 – Kontrola działania

- Sprawdzić kierunek obrotów wentylatora. Powietrze musi przepływać od skraplacza w kierunku wentylatora.
- Sprawdzić pobór prądu i napięcie.
- Sprawdzić ciepło przegrzania ssania w celu zmniejszenia ryzyka zawirowań.
- Jeśli urządzenie jest wyposażone we wziernik, sprawdzać poziom oleju podczas rozruchu i w trakcie eksploatacji — olej musi pozostawać widoczny.
- Przestrzegać roboczych wartości granicznych.
- Sprawdzić wszystkie rurki pod kątem niepożądanego drgań. Ruchy przekraczające 1,5 mm wymagają działań naprawczych takich jak zastosowanie wsporników rurek.
- W razie potrzeby można uzupełnić czynnik chłodniczy po stronie niskiego ciśnienia w jak największej odległości od sprężarki. Podczas tego procesu sprężarka musi pracować.
- Nie przegrzewać układu.
- Przestrzegać lokalnych przepisów dotyczących zbierania czynnika chłodniczego z urządzenia.
- Nigdy nie usuwać czynnika chłodniczego do atmosfery.
- Przed opuszczeniem miejsca instalacji przeprowadzić ogólną kontrolę instalacji dotyczącą czystości, hałasu i wykrywania nieszczelności.
- Zanotować typ i ilość zastosowanego czynnika chłodniczego, jak też warunki pracy na użytek przyszłych kontroli.

13 – Praca w trybie awaryjnym bez regulatora

W przypadku usterki regulatora agregat skraplający nadal może pracować, jeśli standardowe

okablowanie regulatora (rys. 4) zmodyfikuje się w sposób opisany poniżej w celu uzyskania tymczasowego okablowania (rys. 5).

△ Ta modyfikacja może być wykonywana wyłącznie przez elektryków z uprawnieniami. Należy przestrzegać przepisów krajowych.

△ Odłączyć agregat skraplający od zasilania elektrycznego (użyć wyłącznika głównego)

- Element stykowy sterownika komorowego (w zależności od aplikacji) musi być przystosowany do przetężania napięcia 250 V AC.
- Wymontować przewód 22 (wejście zabezpieczenia DI3) i przewód 24 (termostat pokojowy DI1) i połączyć je za pomocą zaizolowanego mostka 250 V AC, 10 mm².
- Odłączyć przewód 25 (termostat w pomieszczeniu DI1) i przewód 11 (zasilanie sprężarki), a następnie połączyć je izolowanym mostkiem zaciskowym 250 V AC / 10 mm².
- Odłączyć przewód 6 i połączyć go mostkiem zaciskowym z przewodem 11 i 25. Do przewodu 6 można podłączyć szeregowo ciśnieniowy wyłącznik wentylatora lub regulator prędkości wentylatora.
- Odłączyć przewód 14 (grzałka karteru sprężarki) i podłączyć go do zacisku 22 stycznika sprężarki.
- Odłączyć przewód 12 (zasilanie grzałki karteru), przedłużyć go z użyciem mostka zaciskowego 250 V AC / 10 mm² i brązowego kabla 1,0 mm², a następnie podłączyć do zacisku 21 stycznika sprężarki.
- Wymontować duży zespół stykowy z zacisków regulatora od 10 do 19.
- Podłączyć agregat skraplający do zasilania (za pomocą wyłącznika głównego).

14 – Konserwacja

△ Należy wyłączyć urządzenie wyłącznikiem głównym przed otwarciem drzwi do wentylatora (-ów).

△ Ciśnienie wewnętrzne i temperatura powierzchni stanowią zagrożenie i mogą spowodować trwałe uszkodzenia na zdrowiu. Konserwatorzy i monterzy muszą mieć odpowiednie kwalifikacje i stosować odpowiednie narzędzia. Temperatura przewodów rurowych może przekroczyć 100°C, co grozi poważnymi oparzeniami.

△ Przeprowadzać okresowe przeglądy serwisowe w celu zapewnienia niezawodności układu oraz zgodnie z wymogami przepisów lokalnych.

Aby zapobiec problemom związanym z układem, zaleca się poniższą konserwację okresową:

- Sprawdzić, czy urządzenia bezpieczeństwa są sprawne i prawidłowo ustawione.
- Sprawdzić szczelność układu.
- Sprawdzić pobór prądu sprężarki.
- Upewnić się, że układ pracuje w sposób spójny z poprzednimi zapisami dotyczącymi konserwacji i warunkami otoczenia.
- Sprawdzić, czy wszystkie połączenia elektryczne są w dalszym ciągu odpowiednio przymocowane.
- Utrzymywać sprężarkę w czystości oraz sprawdzić, czy na osłonie urządzenia, rurkach i połączeniach elektrycznych nie ma rdzy ani nie dochodzi do ich utleniania.

Agregat skraplający musi być co najmniej raz w roku sprawdzany pod kątem drożności przepływu, a w razie konieczności musi zostać oczyszczony. Dostęp do wnętrza agregatu skra-

Instrukcje

plającego uzyskuje się poprzez drzwiczki wentylatora. Brud odkłada się zazwyczaj na zewnątrz skraplacza c mikrokanałowego, a nie wewnątrz, dzięki czemu łatwiej je czyścić niż skraplacze lamelowe.

- Należy wyłączyć urządzenie wyłącznikiem głównym przed otwarciem drzwi do wentylatora.
- Usunąć zabrudzenia powierzchniowe, liście itp. za pomocą odkurzacza wyposażonego w końcówkę z włosiem lub inne miękkie zakończenie. Alternatywnie można przedmuchać skraplacz sprężonym powietrzem od środka i oczyścić za pomocą miękkiego pędzla. Nie używać szczotki drucianej. Nie wolno uderzać ani skrobać skraplacza końcówką odkurzacza lub dyszą powietrzną.
- Przed zamknięciem drzwiczek wentylatora obrócić łopaty wentylatora do położenia przedstawionego na rys. 6, aby drzwiczki nie uderzyły w wentylator.

Jeśli otwarto układ czynnika chłodniczego, należy go przeczyszczyć suchym powietrzem lub azotem w celu usunięcia wilgoci, a następnie zamontować nowy filtr-osuszacz. Jeśli wymagane jest usunięcie z układu czynnika chłodzącego, należy to wykonać w taki sposób, aby nie dostał się do środowiska naturalnego.

15 – Deklaracja zgodności

• **Pressure Equipment Directive 2014/68/ EU EN 378-2:2016** – Systemy chłodnicze i pompy ciepła – wymagania bezpieczeństwa i środowiskowe – Część 2: Projektowanie, budowa, testowanie, znakowanie i dokumentacja.

Dyrektywa niskonapięciowa 2014/35/UE EN 60335-1:2012 + A11:2014 – Urządzenia gospodarstwa domowego i podobne urządzenia elektryczne – Bezpieczeństwo – Część 1: Ogólne wymagania dla wszystkich wyżej wymienionych agregatów skraplających.

DYREKTYWA dotycząca ekoprojektowania 2009/125/WE ustanawiająca ogólne zasady ustalania wymogów dotyczących ekoprojektowania dla produktów związanych z energią.

ROZPORZĄDZENIE (UE) 2015/1095, wdrażające Dyrektywę ekoprojektowania 2009/125/WE w odniesieniu do wymogów dotyczących dla profesjonalnych chłodni kominów chłodniczych, komór hutniczych, agregatów skraplających i chłodniczych.

• Pomiary agregatów skraplających należy wykonywać zgodnie z normą „EN 13771-2:2007” – Sprężarki i agregaty skraplające do celów chłodniczych – badanie wydajności oraz metody testowania – Część 2: Agregaty skraplające

16 – Gwarancja

Do reklamacji tego produktu należy zawsze dołączać numer modelu i numer seryjny.

Gwarancja na produkt może zostać unieważniona w następujących przypadkach:

- Brak tabliczki znamionowej.
- Modyfikacje zewnętrzne; w szczególności wiercenie, spawanie, wyłamane stopy i ślady po wstrząsach.
- Odesłana sprężarka jest otwarta lub niezapiekowana.
- Rdza, woda lub barwnik do wykrywania nieszczelności wewnątrz sprężarki.

- Użycie czynnika chłodniczego lub środka smarującego niezatwierdzonego przez firmę Danfoss.
- Wszelkie odstępstwa od zaleceń dotyczących instalacji, zastosowania i konserwacji.
- Używanie w zastosowaniach przenośnych.
- Używanie w atmosferze wybuchowej.
- Niedołączenie numeru modelu lub numeru seryjnego do zgłoszenia reklamacji.

17 – Usuwanie



Firma Danfoss zaleca, aby przeprowadzenie recyklingu agregatu skraplającego i oleju zostało zlecone specjalistycznej firmie i przeprowadzone na jej terenie.

Инструкция

Optima™ Plus

OP-LPQM, OP-MPYM, OP-MPXМ,
OP-MPGM, OP-MPBM

Заводская табличка

A	OP-MPXМ034MLP00G	 MADE IN INDIA
B	114X4261	
C	Application MBP	IP 54
D	Refrigerant (1) R404A R507 R448A/R449A R407A/R407F/R452A	(2) R134a R513A
E	M.W.P. HP (1) 28 bar	(2) 23 bar
	M.W.P. LP (1) 7 bar	(2) 5 bar
F	Voltage 230 V ~ 1N ~ 50Hz	MCC 19 A
	LRA 60 A	
	OIL INSIDE POE 46	
G	Serial No. 123456CG2816	
	EAN No. xxxxxxxxxxxxxxxx	
		Danfoss A/S, 6480 Nordborg, Denmark

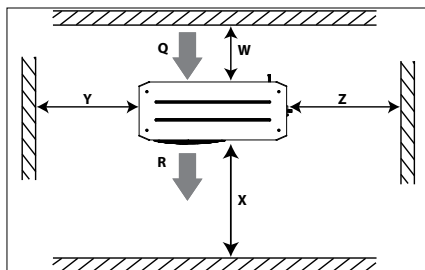


Рисунок 1: минимальные расстояния от стен при монтаже

Q: Приточный воздух **R:** Вытяжной воздух

Устройство	W (мм)	X (мм)	Y (мм)	Z (мм)
Корпус 1 (Код 114X31-- или 114X41--)	250	550	456	456
Корпус 2 (Код 114X32-- или 114X42--)	250	650	530	530
Корпус 3 (Код 114X33-- или 114X43--)	250	760	581	581
Корпус 4 (Код 114X34-- или 114X44--)	250	900	700	700

- A:** Модель
- B:** Кодовый номер
- C:** Рабочее давление
- D:** Хладагент
- E:** Рабочее давление
- F:** Напряжение питания, ток с заблокированным ротором, максимальный потребляемый ток
- G:** Серийный номер и штрих-код



⚠ Конденсаторный агрегат должен использоваться только по назначению и в допустимых границах его области применения.

⚠ При любых обстоятельствах следует обязательно выполнять требования стандарта EN378 (или любых других местных норм безопасности).

Поставляемый агрегат заправлен газообразным азотом под избыточным давлением 1 бар. Перед подключением агрегата к системе, необходимо стравить азот; подробную информацию см. в разделе «Установка».

Перемещать компрессорно-конденсаторный агрегат следует с осторожностью и в вертикальном положении (допускается максимальное отклонение по вертикали: 15°)

⚠ **Установка и обслуживание компрессорно-конденсаторного агрегата должны производиться только квалифицированным персоналом. При установке, пуске, обслуживании и эксплуатации руководствуйтесь настоящей инструкцией и общепринятыми методиками работы с холодильной техникой.**

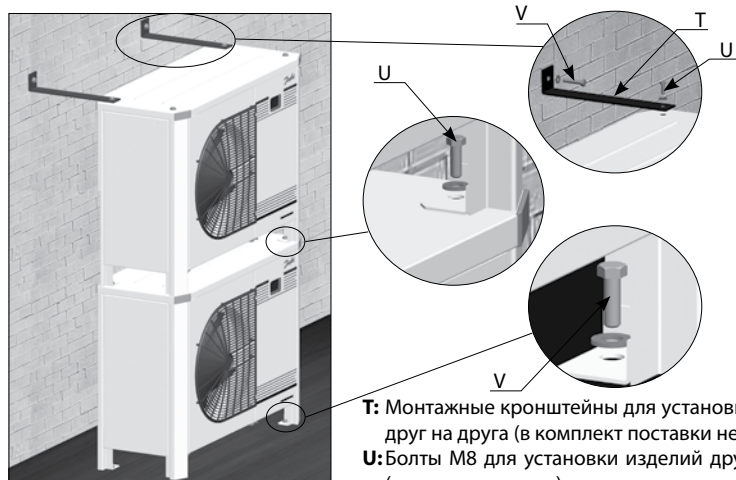


Рисунок 2: Многоуровневое размещение

- T:** Монтажные кронштейны для установки изделий друг на друга (в комплект поставки не входят)
- U:** Болты M8 для установки изделий друг на друга (входят в поставку)
- V:** Монтажные болты (не входят в поставку)

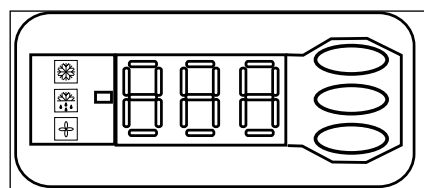


Рисунок 3: Дисплей электронного контроллера

- Компрессор работает
- Подогреватель картера ВКЛ.
- Вентилятор работает

⊞⊞⊞ Значение температуры для давления всасывания. Нажмите нижнюю кнопку для переключения на значение температуры для давления конденсации.



Рисунок 4: Постоянное подключение

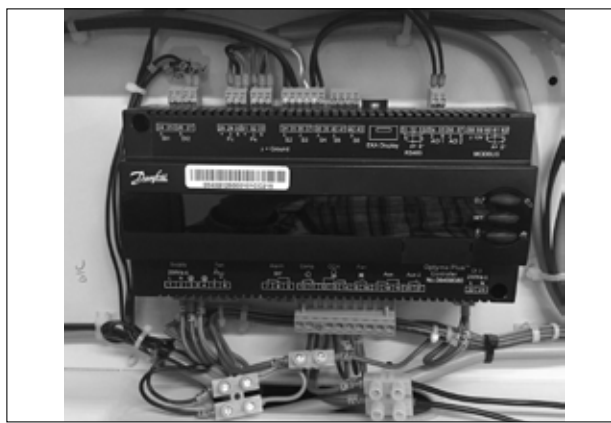


Рисунок 5: Временное подключение

Инструкция

1 - Введение

Настоящая инструкция относится к компрессорно-конденсаторным агрегатам Оптима™ Плюс OP-LPHM, OP-MPYM, OP-MPXH, OP-MPGM, OP-MPQM, OP-LPQM и OP-MPBH, используемых в холодильных системах. В ней содержится необходимая информация, касающаяся безопасности и правильного использования данного изделия.

В состав конденсаторного агрегата входит следующее:

- Микроканальный теплообменник
- Поршневой или спиральный компрессор
- Ресивер с запорным клапаном
- Шаровые клапаны
- Смотровое стекло
- Реле высокого и низкого давления
- Сменный фильтр-осушитель
- Электронный контроллер
- Главный выключатель с защитой от перегрузок
- Конденсаторы вентилятора и компрессора
- Контактор компрессора
- Прочный стойкий к воздействию окружающей среды корпус

2 - Правила обращения и хранения

- Рекомендуется не открывать упаковку до доставки изделия к месту установки.
- Обращаться с осторожностью. Упаковка позволяет использовать вилочный погрузчик или устройство для подъема поддонов. Используйте соответствующие и безопасные подъемные устройства.
- Хранение и транспортировка изделия должны производиться в строго вертикальном положении.
- Изделие должно храниться при температуре от -35°C до 50°C.
- Не допускайте попадания упаковки под дождь или в коррозионно-активную атмосферу.
- После распаковки проверьте комплектацию изделия и убедитесь в отсутствии повреждений.

3 - Меры предосторожности при установке

⚠ Категорически запрещается устанавливать изделие в огнеопасной атмосфере.

⚠ Изделие должно располагаться таким образом, чтобы оно не блокировало или не загромождало проходы, двери, окна и т. п.

- Обеспечьте наличие достаточного пространства вокруг изделия для циркуляции воздуха и открытия дверей. Минимальные значения расстояний до стен указаны на рисунке 1.
- Избегайте установки изделия в местах, подвергающихся длительному воздействию прямого солнечного света.
- Избегайте установки изделия в агрессивной и пыльной среде.
- Обеспечьте наличие горизонтальной поверхности (уклон менее 3°), достаточно прочной и стабильной для того, чтобы выдержать вес всего изделия и исключить вибрации и помехи.
- Температура окружающей среды изделия не должна превышать 50°C в нерабочую часть цикла.
- Обеспечьте соответствие электропитания характеристикам изделия (см. заводскую таблицу).
- При установке изделий для хладагентов HFC используйте оборудование, предназначен-

ное специально для хладагентов HFC, и которое никогда не использовалось для хладагентов CFC или HCFC.

- Используйте трубы из чистой дегидратированной меди для холодильной техники и твердый серебряный припой.
- Используйте системные компоненты из чистых дегидратированных материалов.
- Всасывающий патрубок, подсоединенный к компрессору, должен быть достаточно гибким для гашения вибраций. Кроме того, должен быть предусмотрен патрубок для обеспечения возврата масла к компрессору и исключения риска скопления жидкости в компрессоре.

4 - Установка

- Условия установки компрессорно-конденсаторного агрегата должны соответствовать директиве ЕС по оборудованию, работающему под давлением (PED) № 97/23/ЕС. Сам компрессорно-конденсаторный агрегат не подпадает под действие данной директивы.
- Рекомендуется устанавливать изделие на резиновых элементах или амортизаторах вибраций (не входят в комплект поставки).
- Допускается устанавливать изделия друг на друга.

Изделие	Максимальное кол-во
Корпус 1 (Код 114X31-- или 114X41--)	3
Корпус 2 (Код 114X32-- или 114X42--)	2
Корпус 3 (Код 114X33-- или 114X43--)	2
Корпус 4 (Код 114X34-- или 114X44--)	2

- При установке изделия друг на друга, самое верхнее изделие должно быть прикреплено к стене, как показано на рисунке 2.
- Медленно стравите заправку азота через клапан Шредера.
- Подсоедините изделие к системе незамедлительно во избежание попадания влаги в систему в виду высокой гигроскопичности масла.
- Избегайте попадания материалов в систему во время резки труб. Категорически запрещается выполнять отверстия в местах, где невозможно удалить заусенцы.
- Осуществляйте пайку с особой осторожностью по современной технологии, продувая трубопровод азотом.
- Подсоедините необходимые устройства обеспечения безопасности и управления. При использовании клапана Шредера демонтируйте внутренний клапан.
- Рекомендуется изолировать впускную трубу до входа в компрессор изоляционным материалом толщиной 19 мм.

5 - Обнаружение утечек

⚠ Категорически запрещается нагнетать в систему кислород или сухой воздух. Это может привести к воспламенению или взрыву.

- Не используйте красители для определения утечек
- Осуществляйте поиск утечек во всей системе.
- Максимальное давление при испытании - 31*) бар.
- Устраните обнаруженную утечку и повторите

поиск утечек.

* 25 бар для моделей OP-..... AJ... и OP-..... FH...

6 - Вакуумная сушка

- Категорически запрещается использовать компрессор для вакуумирования системы.
- Подсоедините вакуумный насос к штуцеру НД и ВД.
- Создайте в системе абсолютное давление 500 мкм рт. ст. (0.67 мбар).
- Запрещается использовать мегаомметр и подавать питание на компрессор, пока он находится под вакуумом, так как это может привести к внутренним повреждениям.

7 - Электрические соединения

- Отключите и изолируйте основной источник электропитания.
- Убедитесь в том, что подача электропитания не может быть осуществлена во время монтажа.
- Все электрические компоненты должны выбираться согласно местным стандартам и требованиям к изделию.
- Подробную информацию об электрических соединениях смотрите в электромонтажной схеме.
- Убедитесь в том, что электропитание соответствует характеристикам изделия и является стабильным (номинальное напряжение $\pm 10\%$ и номинальная частота $\pm 2,5$ Гц).
- Параметры кабелей электропитания должны соответствовать характеристикам изделия по току и напряжению.
- Установите защиту источника электропитания и обеспечьте правильное заземление.
- Электропитание должно соответствовать местным стандартам и нормативно-правовым требованиям.
- Изделие оснащено электронным контроллером. Подробную информацию см. в руководстве RS8GDxxx.
- Изделие оснащено главным выключателем с защитой от перегрузок. Защита от перегрузок устанавливается производителем, однако рекомендуется проверить установленное значение перед началом эксплуатации изделия. Значение защиты от перегрузок можно найти на электромонтажной схеме на передней стенке изделия.
- Изделие оснащено датчиками высокого и низкого давления, прерывающими электропитание компрессора в случае активации. Параметры отключения высокого и низкого напряжения предварительно заданы в контроллере, адаптированном под компрессор, установленный в изделии.

Для изделий с 3-фазным спиральным компрессором (OP-MPXHxxxxxxxH), необходимо соблюдать правильность чередования фаз для направления вращения компрессора.

- Определите чередование фаз с помощью фазометра для установления порядка линейных фаз L1, L2 и L3.
- Подсоедините линейные фазы L1, L2 и L3 к клеммам T1, T2 и T3 главного выключателя соответственно.

8 - Заполнение системы

- Категорически запрещается запускать компрессор под вакуумом. Не включайте компрессор.
- Используйте только хладагент, предназна-

Инструкция

- ченный для данного изделия.
- Осуществите первоначальную заправку хладагента в жидкой фазе в конденсатор или ресивер жидкого хладагента. Обеспечьте медленное заполнение системы под давлением до 4-5 бар для R404A/R448A/R449A/R407A/R407F/R452A и приблизительно 2 бар для R134a, R513A.
 - Остальная заправка осуществляется до достижения уровня стабильного номинального эксплуатационного режима.
 - Категорически запрещается оставлять баллон с хладагентом, подсоединенным к контуру.

9 - Настройка электронного контроллера

- Изделие оснащено электронным контроллером, параметры которого запрограммированы на заводе-производителе под данное изделие. Подробную информацию см. в руководстве RS8GDxxx.
 - По умолчанию экран электронного контроллера показывает значение температуры для давления всасывания в °C. Для отображения значения температуры для давления конденсации нажмите нижнюю кнопку (рисунок 3).
- ТВ зависимости от модели установленного компрессора и варианта применения электронный контроллер поставляется с завода-изготовителя отрегулированным для работы с R404A, R449A, R452A или R134a (см. Приложение в руководстве по установке контроллера Optuma). В случае использования другого хладагента необходимо выбрать другой хладагент в настройках. Предварительно необходимо установить параметр r12 на 0 (программируемый главный выключатель = ВыКЛ).
- Нажмите верхнюю кнопку и удерживайте ее несколько секунд. Появится колонка с кодами параметров.
 - Нажимая верхнюю или нижнюю кнопки, найдите код параметра o30.
 - Нажимайте среднюю кнопку, пока не отобразится значение этого параметра.
 - Нажимая верхнюю или нижнюю кнопки, установите новое значение: 2 = R22, 3 = R134a, 13 = R513A, 17 = R507, 19 = R404A, 20 = R407C, 21 = R407A, 37 = R407F, 40 = R448A, 41 = R449A, 42 = R452A.
 - Нажмите среднюю кнопку, чтобы подтвердить выбранное значение.

10 - Проверка перед вводом в эксплуатацию

- Используйте защитные устройства, например, предохранительное реле давления и механический предохранительный клапан, в соответствии с применяемыми местными и общими нормами и стандартами по безопасности. Убедитесь в их эксплуатационной надежности и надлежащей регулировке.
- Убедитесь в том, что настройки выключателей высокого давления и предохранительных клапанов не превышают максимальное рабочее давление любого элемента системы.

- Убедитесь в том, что все электрические соединения закреплены надлежащим образом согласно местным нормам.
- В случае необходимости подогревателя картера изделие должно находиться под током в течение как минимум 12 часов перед первым запуском и запуском после длительного останова при использовании ленточных подогревателей картера.

- Изделие оснащено главным выключателем с защитой от перегрузок. Защита от перегрузок устанавливается производителем, однако рекомендуется проверить установленное значение перед началом эксплуатации изделия. Значение защиты от перегрузок можно найти на электромонтажной схеме на передней створке изделия.

11 - Запуск

- Категорически запрещается запускать изделие, не заправленное хладагентом.
- Все рабочие клапаны должны находиться в открытом положении.
- Клапан Rotalock на ресивере необходимо повернуть 1 раз в направлении закрытия для получения требуемого давления конденсации для датчика давления.
- Проверьте соответствие между изделием и электропитанием.
- Проверьте работоспособность подогревателя картера.
- Убедитесь в свободном вращении вентилятора.
- Убедитесь в снятии защитной панели с задней части конденсатора.
- Отрегулируйте ВД/НД.
- Подайте питание на изделие. Оно должно тут же включиться. Если компрессор не включился, проверьте соответствие проводки и напряжения на клеммах.
- Обратное вращение 3-фазного компрессора можно определить следующим образом: компрессор не создает давление, издает чрезмерный шум и потребляет крайне мало энергии. В таком случае немедленно выключите изделие и правильно подсоедините фазы к соответствующим клеммам.
- Если направление вращения правильное, индикатор низкого давления на контроллере (или манометр низкого давления) покажет снижение давления, а индикатор высокого давления (или манометр высокого давления) покажет увеличение давления.

12 - Проверка работающего изделия

- Проверьте направление вращения вентилятора. Подача воздуха должна осуществляться от конденсатора к вентилятору.
- Проверьте потребление тока и напряжение.
- Проверьте перегрев на всасывании для снижения риска попадания жидкости в компрессор.
- При наличии смотрового стекла контролируйте уровень масла при запуске и во время работы, проверяя видимость уровня масла.
- Соблюдайте эксплуатационные ограничения.
- Проверьте все трубопроводы на предмет чрезмерной вибрации. При вибрационных смещениях более 1.5 мм необходимы корректирующие меры, например, установка кронштейнов для крепления трубопроводов.
- При необходимости можно добавить дополнительный хладагент в жидкой фазе со стороны низкого давления как можно дальше от компрессора. Во время этой процедуры компрессор должен работать.
- Не перезаправляйте систему хладагентом.
- Следуйте местным инструкциям по восстановлению хладагента из агрегата.
- Категорически запрещается выпускать хладагент в атмосферу.
- Перед уходом с места установки, проведите общий осмотр на предмет чистоты, шума и

обнаружения утечек.

- Зафиксируйте тип и количество заряженного хладагента, а также эксплуатационные условия для справки при проведении будущих проверок.

13 - Аварийная работа без контроллера

В случае отказа контроллера, компрессорно-конденсаторный агрегат можно использовать при условии изменения постоянного подключения проводки контроллера (рисунок 4) на временное подключение проводки (рисунок 5), как описано ниже.

⚠ Такое изменение может проводиться только квалифицированными электриками. Необходимо соблюдать законодательство страны.

⚠ Отсоедините компрессорно-конденсаторный агрегат от источника электропитания (установите главный выключатель изделия в положение ВыКЛ).

- Коммутирующая способность контакта комнатного терморегулятора должна быть рассчитана на 250 В переменного тока.
- Отсоедините провод 22 (вход сигнала безопасности DI3) и провод 24 (комнатный терморегулятор DI1), соедините их изолированной перемычкой сечением 10 мм² на 250 В переменного тока.
- Отсоедините провод 25 (комнатный терморегулятор DI1) и провод 11 (питание компрессора) и соедините их изолированной перемычкой сечением 10 мм² на 250 В переменного тока.
- отсоедините провод 6 и подсоедините его к перемычке для проводов 11 и 25. Датчик давления вентилятора или регулятор скорости вращения вентилятора могут последовательно подключаться к проводу 6.
- Отсоедините провод 14 (подогреватель картера) и подсоедините его к клемме 22 контактора компрессора.
- Отсоедините провод 12 (питание подогревателя картера), удлините этот провод, используя перемычку сечением 10 мм² на 250 В переменного тока и кабель коричневого цвета сечением 1,0 мм², и подсоедините его к клемме 21 контактора компрессора.
- Отсоедините большую клеммную колодку от клемм 10-19 контроллера.
- Подсоедините компрессорно-конденсаторный агрегат к источнику электропитания (установите главный выключатель изделия в положение ВКЛ).

14 - Техническое обслуживание

⚠ Перед открытием створки (створок) вентилятора всегда выключайте изделие с помощью главного выключателя.

⚠ Внутреннее давление и температура поверхности представляют опасность и могут послужить причиной тяжелой травмы. Лица, выполняющие обслуживание и установку, должны обладать соответствующими навыками и быть обеспечены необходимыми инструментами. Температура трубопроводов может превышать 100°C и может послужить причиной серьезных ожогов.

⚠ Обеспечьте проведение периодических технических осмотров для обеспечения надежности системы в соответствии с требованиями местных норм.

Для предотвращения неисправностей системы рекомендуется проведение следующего пери-

Инструкция

одического технического обслуживания:

- Проверьте эксплуатационную надежность и надлежащую регулировку защитных устройств.
- Убедитесь в отсутствии течи в системе.
- Проверьте потребление тока компрессором.
- Убедитесь, что работа системы согласуется с предшествующими протоколами технического обслуживания и условиями окружающей среды.
- Проверьте надежность крепления всех электрических соединений.
- Обеспечьте чистоту изделия и убедитесь в отсутствии ржавчины и окисления на компонентах, трубопроводах и электрических соединениях изделия.

Конденсатор должен проходить проверку на засорение не реже одного раза в год, при необходимости следует осуществлять его очистку. Доступ к внутренней части конденсатора осуществляется через створку вентилятора. Пыль на микроканальных змеевиках собирается больше на поверхности, чем внутри, поэтому их легче чистить, чем ребристые змеевики.

- Перед открытием створки вентилятора выключайте изделие с помощью главного выключателя.
- Удалите с поверхности грязь, листья, волокна и т. п. с помощью пылесоса, оснащенного щеткой или другой мягкой насадкой. Также допускается продувка змеевика изнутри сжатым воздухом с последующей очисткой щеткой с мягкой щетиной. Запрещается использование щетки с металлической щетиной. Не допускайте касания или задевания змеевика трубой пылесоса или воздушной форсункой.

- Перед закрытием створки вентилятора поверните лопасть вентилятора в положение, показанное на рисунке 6, во избежание удара вентилятора створкой.

В случае разгерметизации системы хладагента необходимо продуть ее сухим воздухом или азотом для удаления влаги и установить новый фильтр-осушитель. В случае необходимости удаления хладагента процедура удаления должна быть выполнена таким образом, чтобы хладагент не попал в окружающую среду.

15 – Декларация соответствия

• **Директива по оборудованию, работающему под давлением, 2014/68/EU EN 378-2:2016** – Системы холодильные и тепловые насосы. Требования безопасности и охраны окружающей среды. Часть 2: Проектирование, конструкция, испытание, маркировка и документация

• **Директива по низковольтному оборудованию 2014/35/EU EN 60335-1:2012 + A11:2014** – Бытовые и аналогичные электроприборы. Безопасность. Часть 1: Общие требования для всех вышеупомянутых конденсаторных агрегатов

• **ДИРЕКТИВА по экодизайну 2009/125/ ЕС**, устанавливающая общие условия разработки требований экологического проектирования для изделий, связанных с энергетикой.

РЕГЛАМЕНТ (ЕУ) 2015/1095, реализующий Директиву по экодизайну 2009/125/ЕС в отношении требований к экологическому проектированию для профессиональных холодильных шкафов, морозильных шкафов с интенсивным движением воздуха, компрессорно-конденсаторных агрегатов и чиллеров для технологического охлаждения.

- Измерения конденсаторного агрегата производятся в соответствии со стандартом EN

13771-2:2007 – Компрессоры и конденсаторы для охлаждения. Проверка рабочих характеристик и методы испытаний. Часть 2. Агрегаты компрессорно-конденсаторные

16 - Гарантия

Всегда указывайте номер модели и серийный номер при подаче любой заявки, касающейся данного изделия.

Гарантия на изделие не действует в следующих случаях:

- Отсутствие заводской таблички.
- Внешние изменения, в частности, сверление, сварка, сломанные ножки и следы от ударов.
- Открытие компрессора или возврат со снятыми пломбами.
- Наличие ржавчины, воды или красителя для определения течи внутри компрессора.
- Использование хладагента или смазочного материала, не одобренного компанией Danfoss.
- Любое отклонение от рекомендованных инструкций, касающихся установки, применения или технического обслуживания.
- Мобильное применение.
- Использование во взрывоопасной атмосферной среде.
- Отсутствие номера модели или серийного номера в заявке на гарантийное обслуживание.

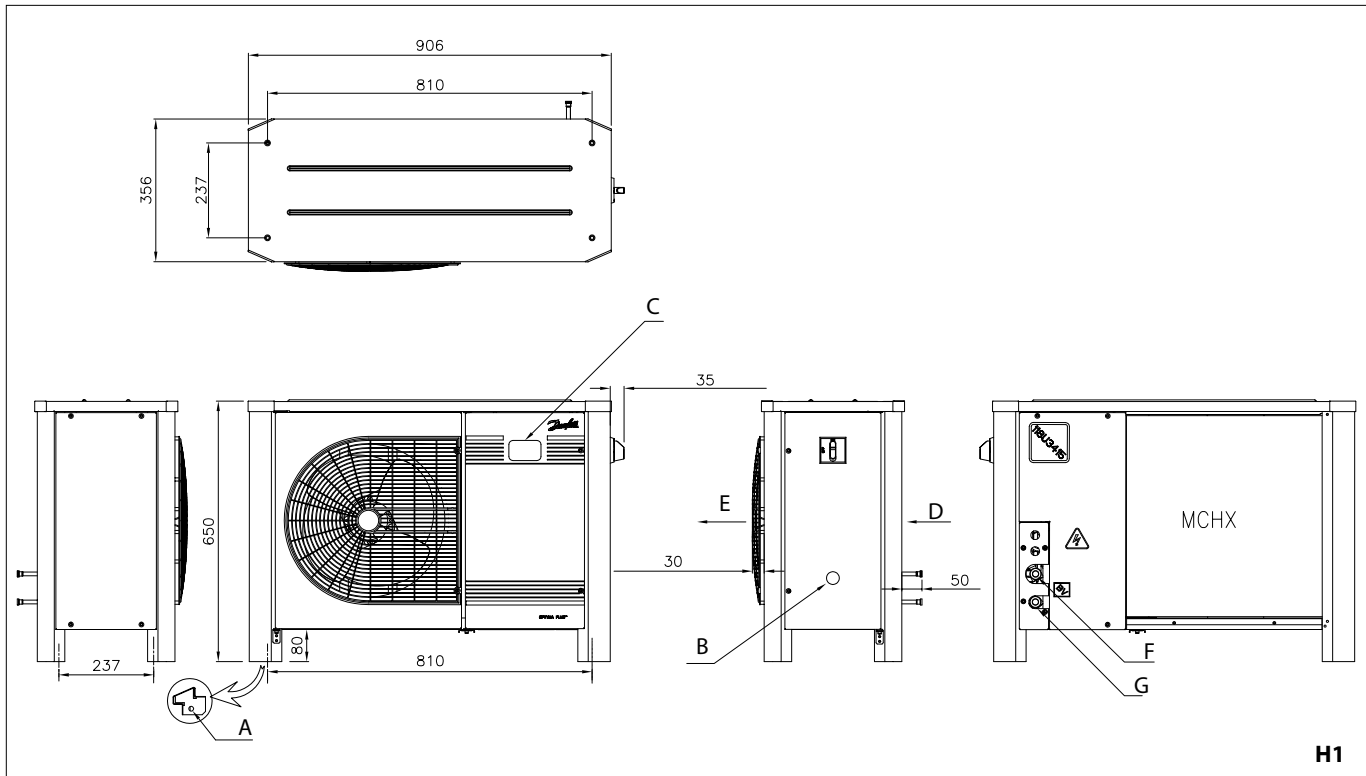
17 - Утилизация



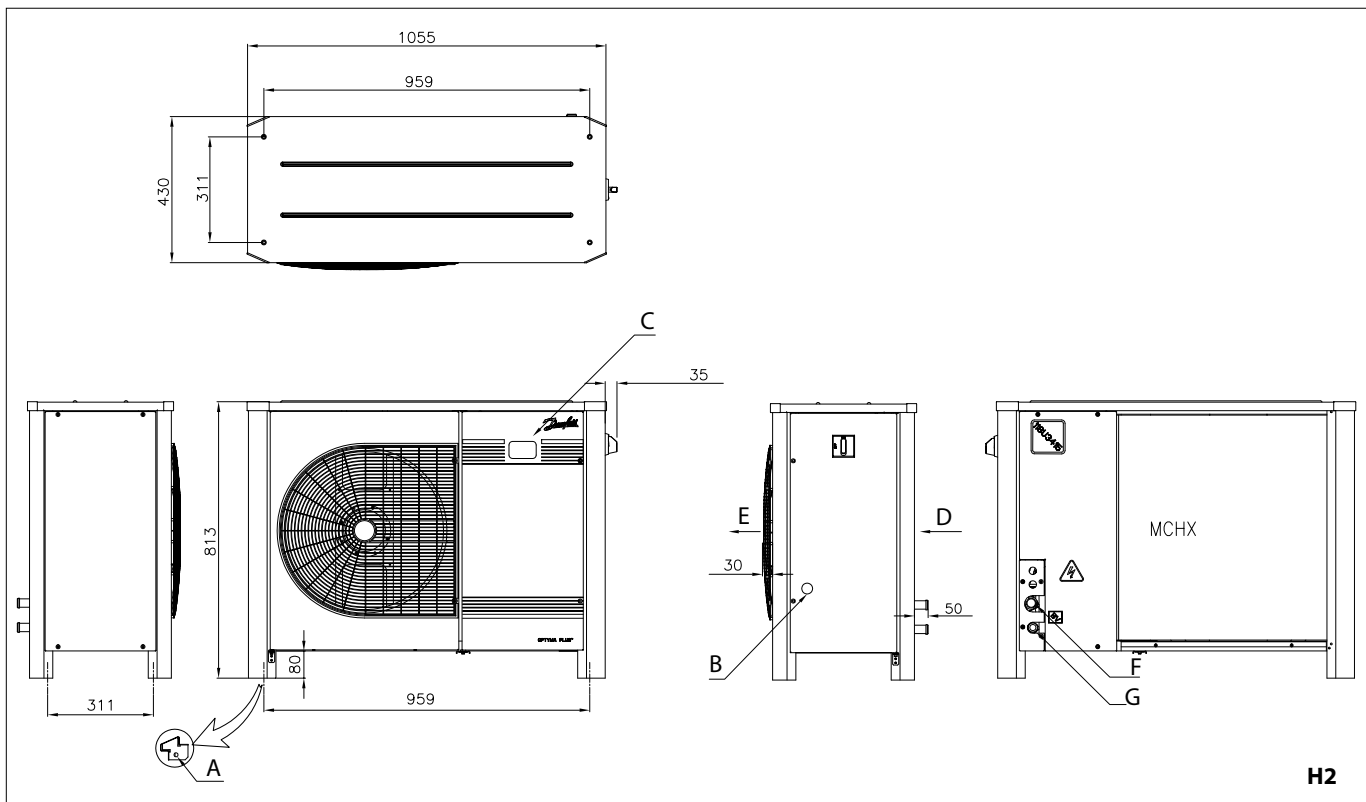
Компания Danfoss рекомендует проведение утилизации компрессорно-конденсаторных агрегатов и масла соответствующей компанией по месту ее нахождения.

Instructions

OP-LPHM018, OP-LPQM017, OP-MPYM008-009-012-014 & OP-MPHM007-010-012-015-018

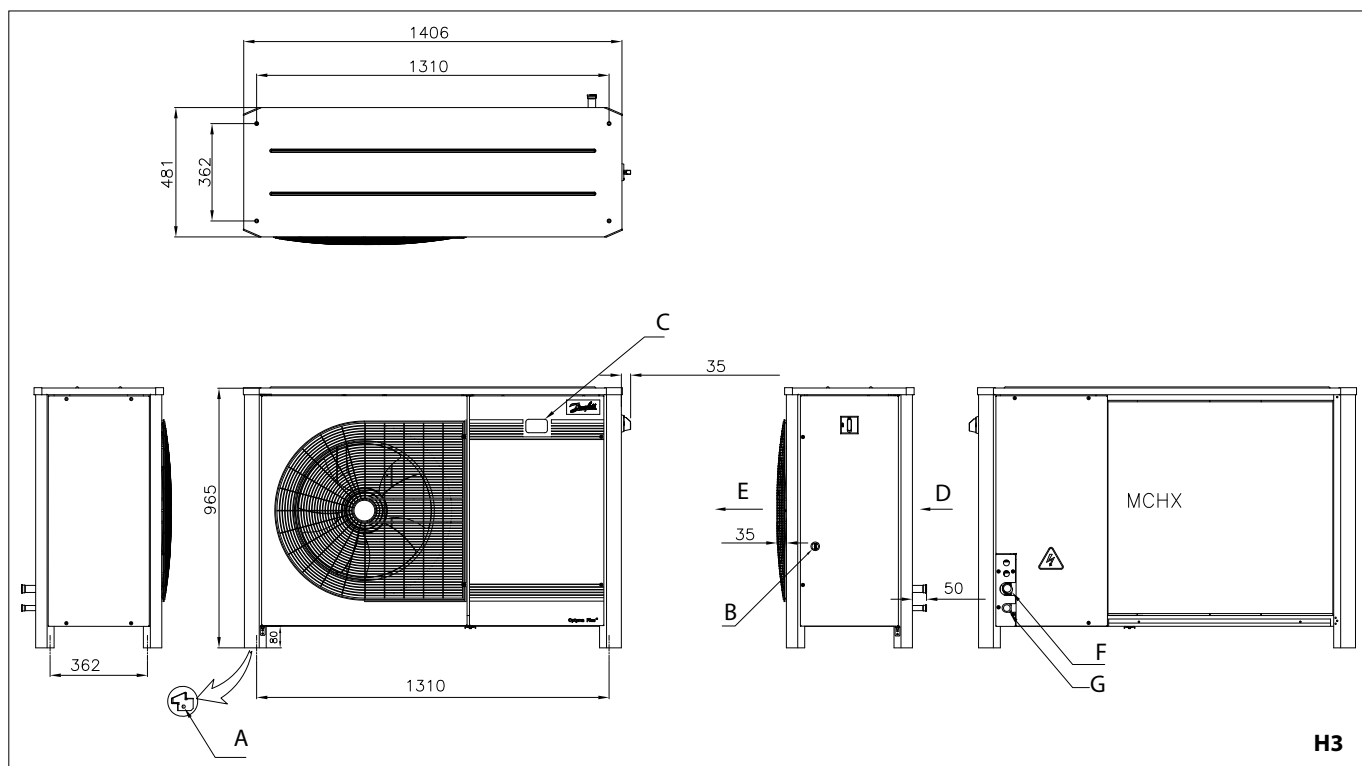


OP-LPQM026-048-068-074 & OP-MPBM018-024-026-034 & OP-MPXM034-046-057 & OP-MPGM033-34 & OP-MPHM026-034 & OP-LPHM026



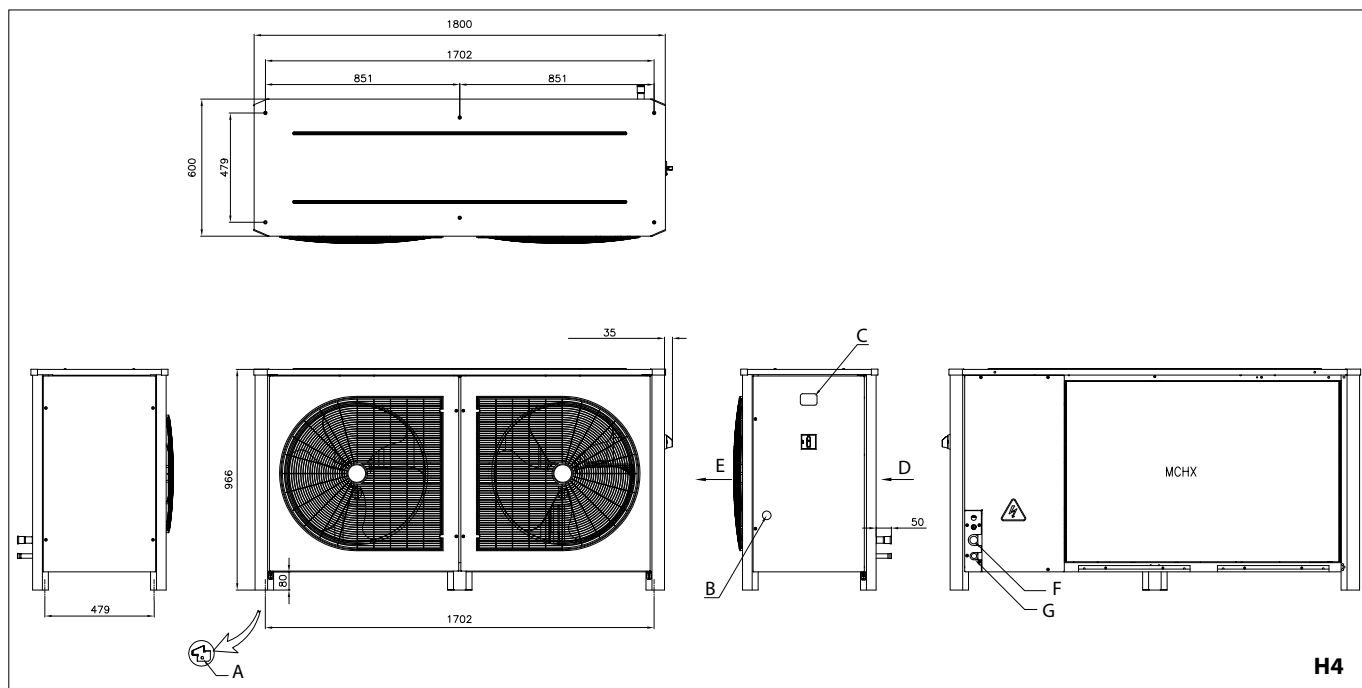
Instructions

OP-LPQM096-136 & OP-MPXM068-080-108



H3

OP-LPQM215-271 & OP-MPXM125-162



H4

English Legend

- A Ø12 Hole for Mounting
 - B Sight Glass
 - C Controller Display
 - D Air in
 - E Air out
 - F Suction Port
 - G Liquid Port
 - ⚠ Electrical Cables
- Note: all dimension are in mm

Dansk Legend

- A Ø12-hul til montering
 - B Skueglas
 - C Regulatordisplay
 - D Luft ind
 - E Luft ud
 - F Sugerør
 - G Væskerør
 - ⚠ Elektriske ledninger
- Bemærk: Alle mål angives i mm

Deutsch Legende

- A Ø12 Befestigungsbohrung
 - B Schauglas
 - C Regler-Anzeige
 - D Lufteinlass
 - E Luftauslass
 - F Sauganschluss
 - G Flüssigkeitsanschluss
 - ⚠ Elektrokabel
- Hinweis: alle Maße in mm

Instructions

Français Légende

- A Trou de montage Ø 12
- B Voyant
- C Affichage du régulateur
- D Entrée de l'air
- E Sortie de l'air
- F Port d'aspiration
- G Port de liquide
- ⚠ Câbles électriques

Remarque : toutes les dimensions sont exprimées en mm

Español leyenda

- A Ø12 Agujero para montaje
- B Visor
- C Display de Controlador
- D Salida Aire
- E Entrada Aire
- F Puerto Succion
- G Puerto Líquido
- ⚠ Cables eléctricos

Nota: todas las dimensiones están en mm

Italiano leggenda

- A Foro di montaggio Ø12
- B Spia liquido
- C Display del regolatore
- D Ingresso aria
- E Uscita aria
- F Porta di aspirazione
- G Porta liquido
- ⚠ Cavi elettrici

Nota: tutte le dimensioni sono espresse in mm

Svenska Legend

- A Ø 12 Monteringshål
- B Synglas
- C Regleringsdisplay
- D Luftinlopp
- E Luftutlopp
- F Sugport
- G Vätskeport
- ⚠ Elkablar

OBS! alla mått anges i mm

Português Lenda

- A Orifício de Ø12 para montagem
- B Visor de líquido
- C Ecrã do controlador
- D Entrada de ar
- E Saída de ar
- F Porta de aspiração
- G Porta de líquidos
- ⚠ Cabos elétricos

Nota: todas as dimensões são apresentadas em mm

Nederlands Legende

- A Ø12 Opening voor de bevestiging van
- B regelaardisplay van
- C kijkglas
- D Luchtinlaat
- E Luchtuitlaat
- F zuigpoort
- G vloeistofpoort
- ⚠ Elektrische kabels

Opmerking: alle afmetingen zijn in mm

Suomi Legenda

- A Ø12 Kiinnitysreikä
- B Nestelasi
- C Säätimen näyttö
- D Ilma sisään
- E Ilma ulos
- F Imuliitäntä
- G Nesteliitäntä
- ⚠ Sähkökaapelit

Huomaa: kaikki mitat ovat millimetrejä

Ελληνικά Θρύλος

- A Οπή για στερέωση Ø12
- B Υαλοδείκτης
- C Οθόνη ηλεκτρική
- D Είσοδος αέρα
- E Έξοδος αέρα
- F Θύρα αναρρόφησης
- G Θύρα υγρού
- ⚠ Ηλεκτρικά καλώδια

Σημείωση: όλες οι διαστάσεις είναι σε mm

Norsk Legende

- A Ø12 hull for montering
- B Seglass
- C Display
- D Luft inn
- E Luft ut
- F Sugport
- G Væskeportrt
- ⚠ Strømkabler

OBS: alle mål er i mm

български (Balgarski) Легенда

- A Отвор за монтаж Ø12
- B Визьор
- C Дисплей на контролера
- D въздушен вход
- E Въздушен изход
- F Смукателен порт
- G Порт за течност
- ⚠ Електрически кабели

Забележка: всички размери са в mm

Română Legendă

- A Orificiu Ø12 pentru montare
- B Vizor
- C Afişaj controler
- D Intrare aer
- E ieşire aer
- F Port aspiraţie
- G Port lichid
- ⚠ Cabluri electrice

Notă: toate dimensiunile sunt exprimate în mm

Čeština Legenda

- A Montážní otvor Ø12
- B Průhledítko
- C Displej regulátoru
- D Přívod vzduchu
- E Výstup vzduchu
- F Port sání
- G Port kapaliny
- ⚠ Ilektrické kabely

Poznámka: Všechny rozměry jsou uvedeny v mm

Polski Legenda

- A Otwór Ø12 do montażu
- B Wziernik
- C Wyświetlacz sterownika
- D Dopływ powietrza
- E Wypływ powietrza
- F Przyłącze ssawne
- G Przyłącze cieczowe
- ⚠ Kable elektryczne

Uwaga: wszystkie wymiary podano w mm

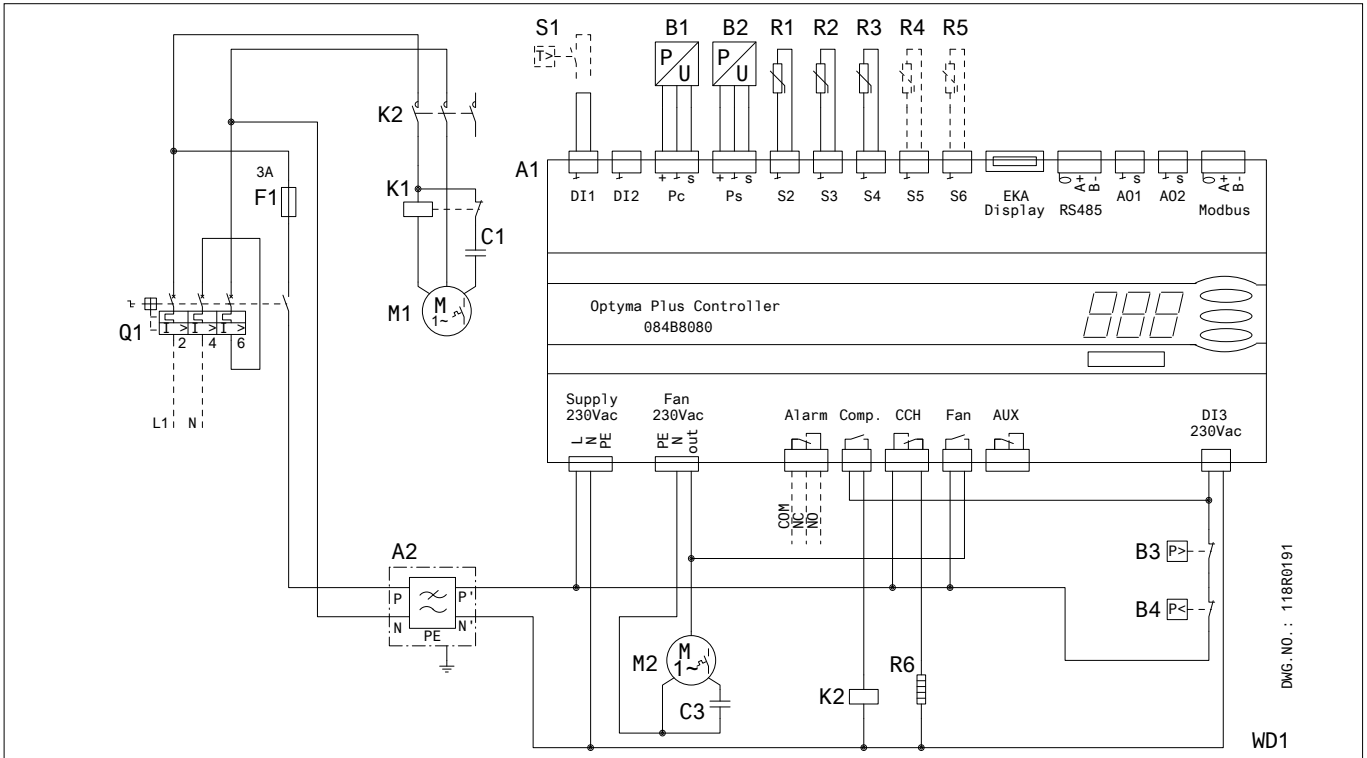
Русский Легенда

- A Монтажное отверстие Ø12
- B Смотровое стекло
- C Дисплей контроллера
- D Вход воздуха
- E Выход воздуха
- F Порт для подключения всасывающего трубопровода
- G Порт для подключения жидкостного трубопровода
- ⚠ Электрические кабели

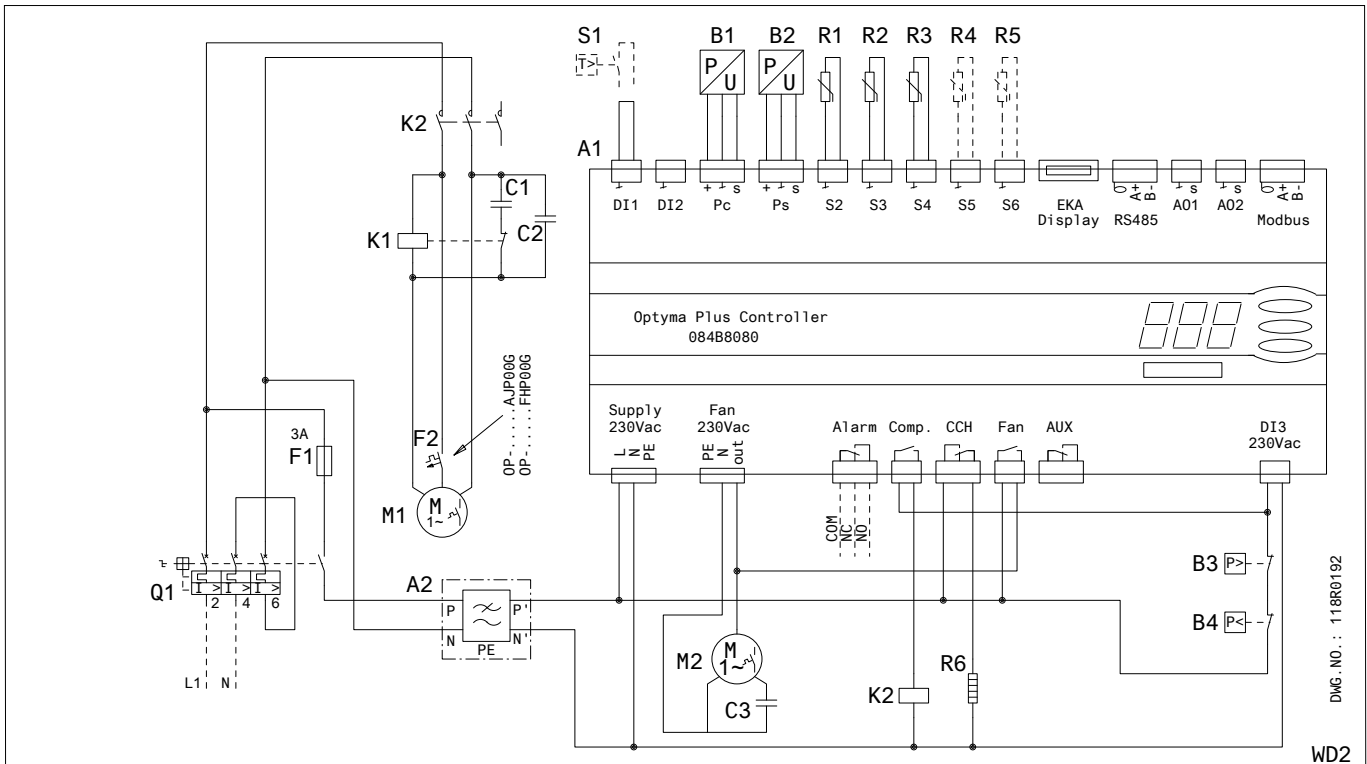
Примечание. Все размеры приведены в мм

Instructions

Code G : OP- LPHM018 & OP-MPHM007-010-012-015

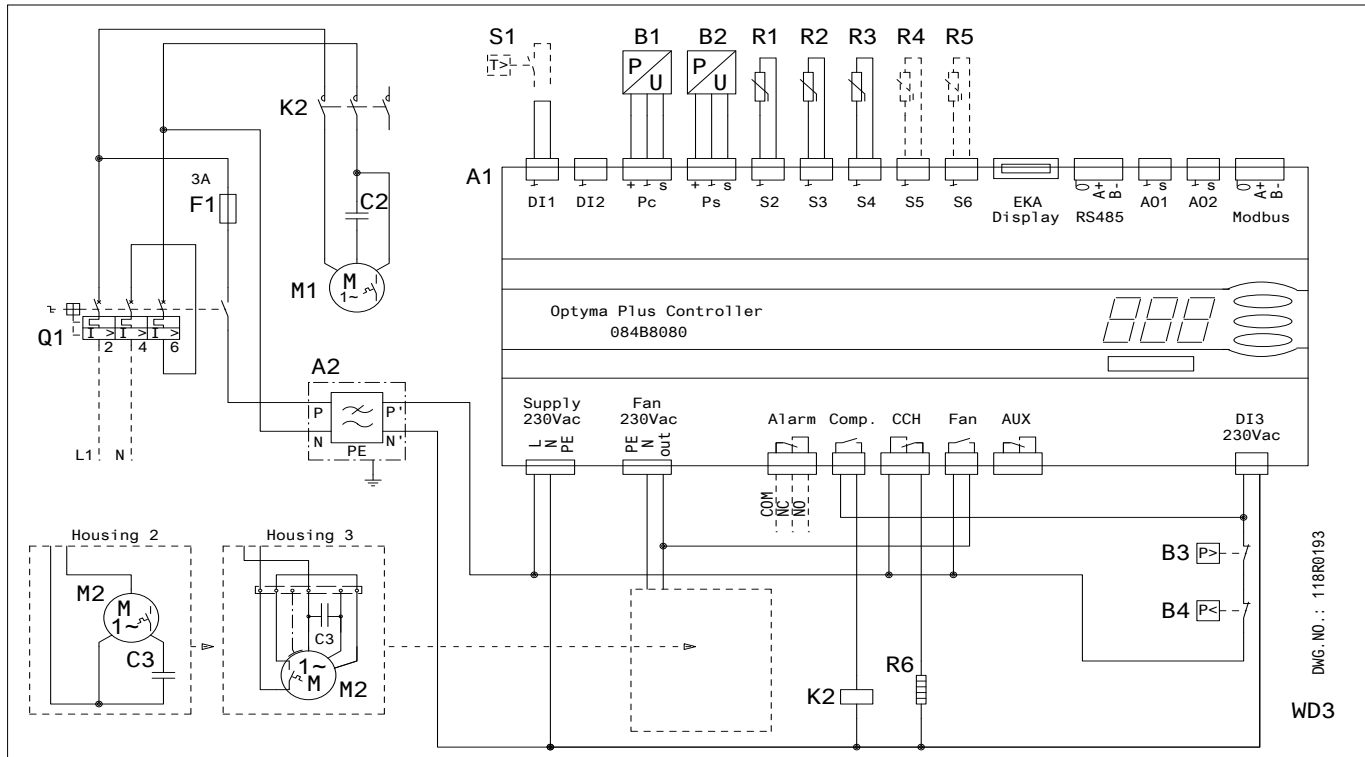


Code G : OP-LPQM026-048-068-074 & OP-MPHM018-026-034, OP-MPGM033-34 & OP-LPHM026, OP-MPBM018-024

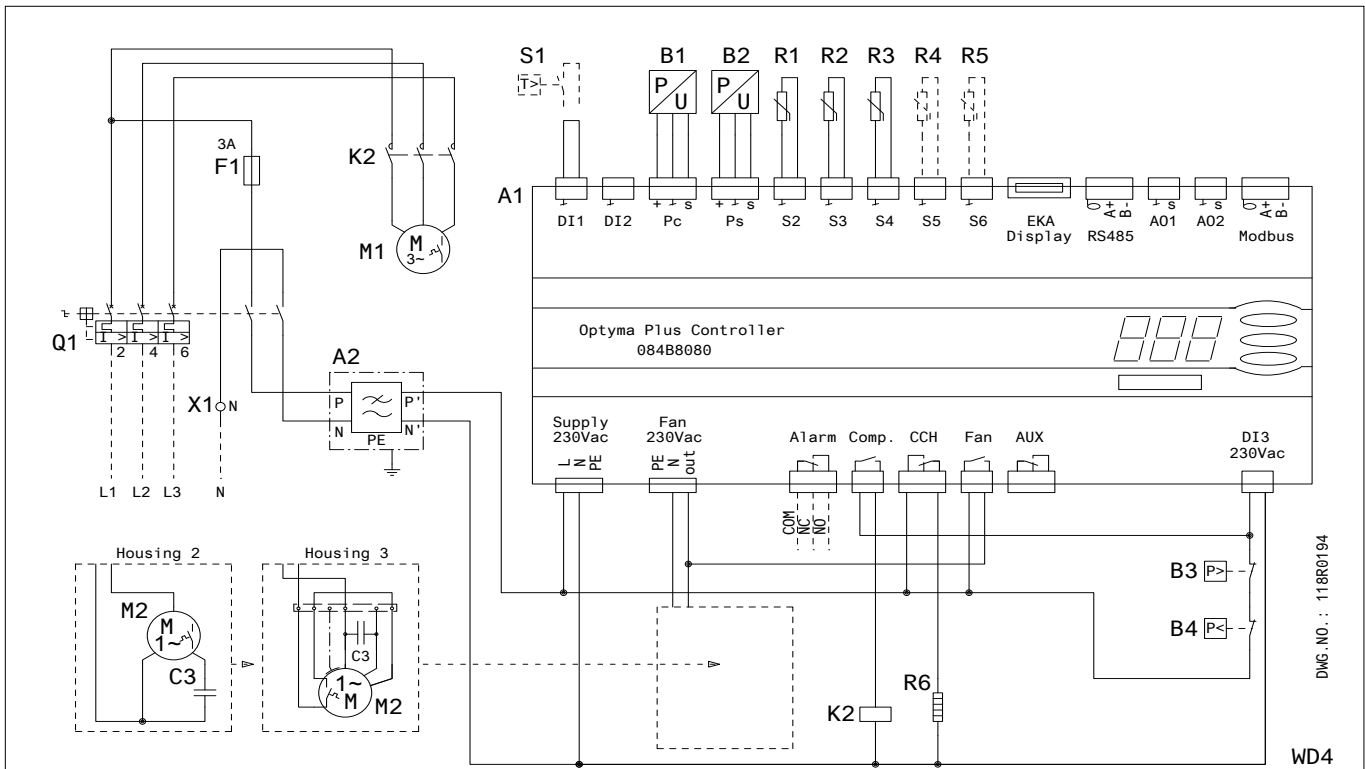


Instructions

Code G : OP-MPXM034-046-057-068-080

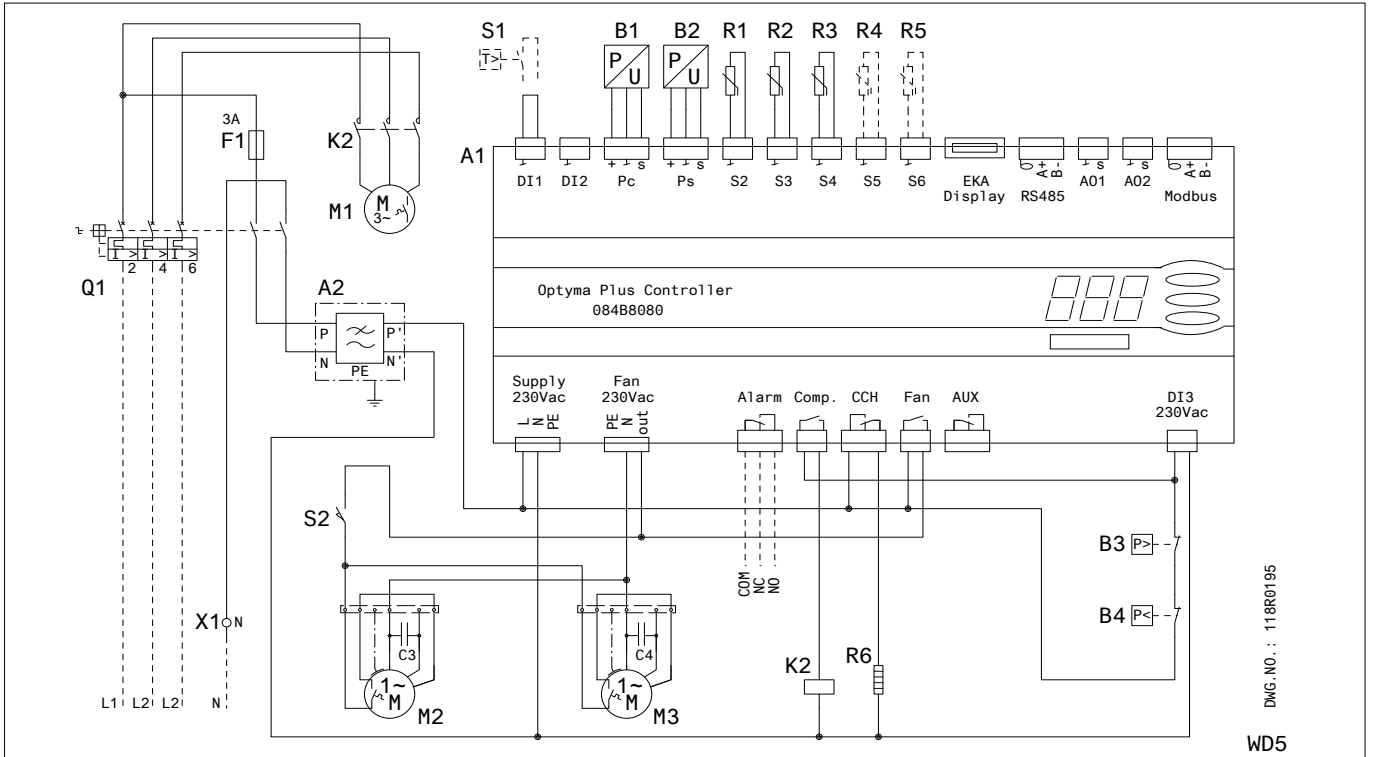


Code E : OP-LPQM048-068-074-096-136 & OP-MPXM034-046-057-068-080-108 & OP-MPBM026-034

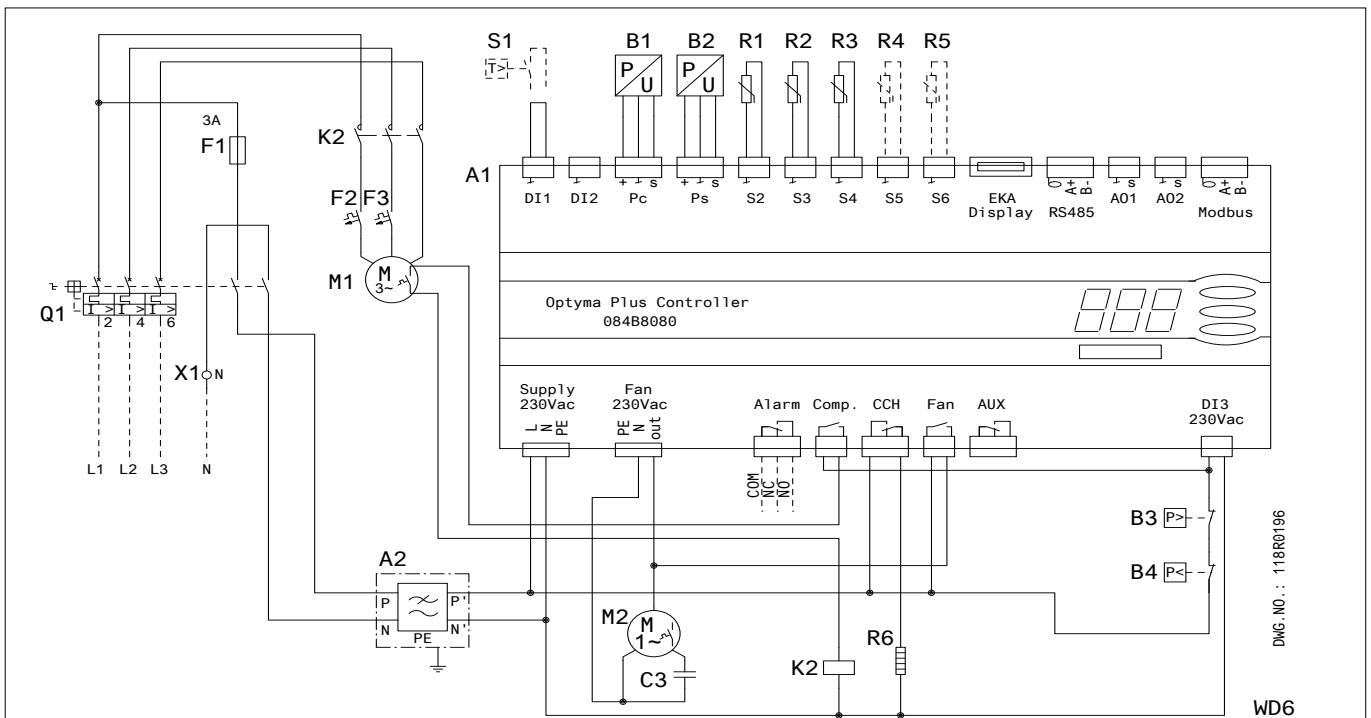


Instructions

Code E : OP-LPQM215-271 & OP-MPXM125-162

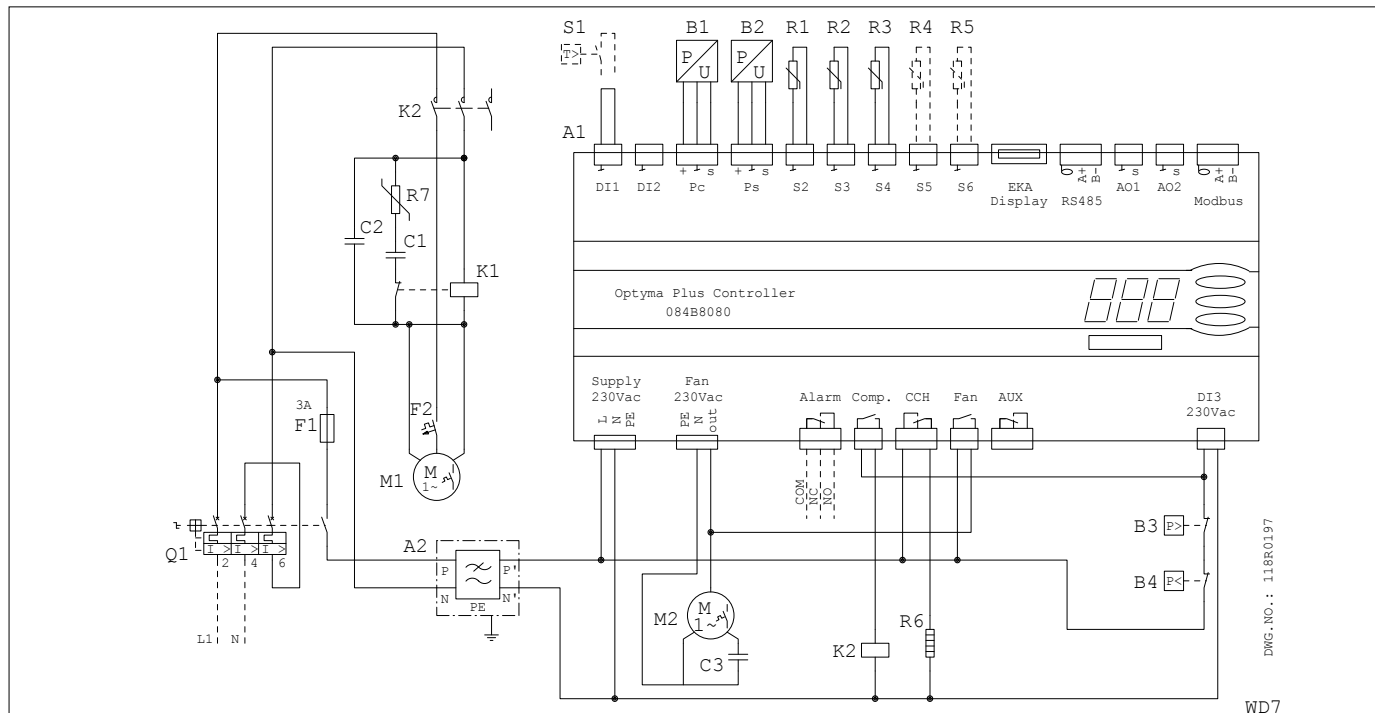


Code E : OP-MPYM026-034



Instructions

Code G: OP-LPQM017 & OP-MPYM008-009-012-014



English Legend

A1 : Optyma™ Plus Controller
A2 : EMI Filter
B1 : Condensing Pressure Transducer
B2 : Suction Pressure Transducer
B3 : High Pressure Switch (OFF = 31bar(g), ON = 24bar(g))
B4 : Low Pressure Switch (OFF = -0,3bar(g), ON = 0,5bar(g))
C1 : Start Capacitor (Compressor)

C2 : Run Capacitor (Compressor)
C3 : Run Capacitor (Fan 1)
C4 : Run Capacitor (Fan 2)
F1 : Fuse (Control Circuit)
F2,F3 : Motor protector
K1 : Start Relay
K2 : Contactor
M1 : Compressor
M2 : Fan Motor 1
M3 : Fan Motor 2

Q1 : Main Switch
R1 : Ambient Temp. Sensor
R2 : Discharge Temp. Sensor
R3 : Suction Temp. Sensor
R4,R5 : Auxiliary Temp. Sensor (optional)
R6 : Crankcase Heater
R7 : NTC Resistor
S1 : Room Thermostat (optional)
S2 : Door Limit Switch
X1 : Terminal

Supply : Supply
Fan : Fan
Alarm : Alarm
Comp. : Compressor
CCH : Crankcase Heater
Aux : Auxiliary

Dansk Legend

A1: Optyma™ Plus regulator
A2: EMI-Filter
B1: Kondenseringstryktransducer
B2: Sugetryktransducer
B3: Højtrykspresostat (OFF = 31bar(g), ON = 24bar(g))
B4: Lavtrykspresostat (OFF = -0,3bar(g), ON = 0,5bar(g))

C1: Startkondensator (Kompressor)
C2: Driftskondensator (Kompressor)
C3: Driftskondensator (Ventilator 1)
C4: Driftskondensator (Ventilator 2)
F1: Sikring (Styrekredsløb)
F2,F3: Motorbeskyttelse
K1: Startrelæ
K2: Kontaktor
M1: Kompressor
M2: Ventilatormotor 1
M3: Ventilatormotor 2

Q1: Hovedafbryder
R1: Omg. temp. føler
R2: Afgangtemp. Føler
R3: Sugetemp. Føler
R4,R5: Hjelpe temp. Sensor (ekstraudstyr)
R6: Kurbelwammenvarmer
R7: NTC-modstand
S1: Rumtermostat (ekstraudstyr)
X1: Terminal

Supply: Forsyning
Fan: Ventilator
Alarm: Alarm
Comp.: Kompressor
CCH: Krumtaphusvarmer
Aux: Hjelpeudstyr

Deutsch Legende

A1: OPTYMA™ PLUS Regler
A2: EMI-Filter
B1: Druckmessaufnehmer (Hochdruck)
B2: Druckmessaufnehmer (Niederdruck)
B3: Hochdruckschalter (OFF = 31bar(g), ON = 24bar(g))
B4: Niederdruckschalter (OFF = -0,3bar(g), ON = 0,5bar(g))
C1: Anlaufkondensator (Verdichter)

C2: Betriebskondensator (Verdichter)
C3: Betriebskondensator (Lüfter 1)
C4: Betriebskondensator (Lüfter 2)
F1: Sicherung (Steuerkreis)
F2,F3: Motorschutz
K1: Anlaufrelais
K2: Schütz
M1: Verdichter
M2: Lüftermotor 1
M3: Lüftermotor 2

Q1: Hauptschalter
R1: Umgebungstemp.- Fühler
R2: Heißgastemp.- Fühler
R3: Saugstutzentemp.- Fühler
R4,R5: Zusatztemp.- Fühler (optional)
R6: Kurbelwammenheizung
R7: NTC-Widerstand
S1: Raumthermostat (optional)
X1: Anschlussklemme

Supply: Spannungsversorgung
Fan: Lüfter
Alarm: Alarm
Comp.: Verdichter
CCH: Kurbelwammenheizung
Aux: Zusatzgeräte

Français Légende

A1 : contrôleur Optyma™ Plus
A2 : Filtre EMI
B1 : transducteur de pression de condensation
B2 : transducteur de pression d'aspiration
B3 : pressostat haute pression (OFF = 31bar(g), ON = 24bar(g))
B4 : pressostat basse pression (OFF = -0,3bar(g), ON = 0,5bar(g))

C1 : Condensateur de démarrage (Compresseur)
C2 : Condensateur de marche (Compresseur)
C3 : Condensateur de marche (Ventilateur 1)
C4 : condensateur de marche (Ventilateur 2)
F1 : fusible (Circuit de commande)
F2,F3 : Protection du moteur
K1 : relais de démarrage
K2 : contacteur
M1 : compresseur
M2 : moteur de ventilateur 1
M3 : moteur de ventilateur 2

Q1 : sectionneur principal
R1 : sonde de température ambiante
R2 : sonde de température de refoulement
R3 : sonde de température d'aspiration
R4,R5 : sonde de température auxiliaire (en option)
R6 : résistance de carter
R7 : Résistance NTC
S1 : thermostat d'ambiance (en option)
X1 : borne

Supply : alimentation
Fan : ventilateur
Alarm : alarme
Comp. : compresseur
CCH : résistance de carter
Aux : auxiliaire

Instructions

Español leyenda

A1: Controlador Optyma™ Plus
A2: Filtro EMI
B1: Transductor de presión de condensación
B2: Transductor de presión de aspiración
B3: Presostato de alta presión (OFF = 31bar(g), ON = 24bar(g))
B4: Presostato de baja presión (OFF = -0,3bar(g), ON = 0,5bar(g))
C1: Condensador de arranque (compresor)

C2: Condensador de funcionamiento (compresor)
C3: Condensador de funcionamiento (ventilador 1)
C4: Condensador de funcionamiento (ventilador 2)
F1: Fusible (circuito de control)
F2,F3: Protector del motor
K1: Relé de arranque
K2: Contactor
M1: Compresor

M2: Motor del ventilador 1
M3: Motor del ventilador 2
Q1: Interruptor principal
R1: Sensor de temperatura ambiente
R2: Sensor de temperatura dedescarga
R3: Sensor de temperatura de aspiración
R4,R5: Sensor de temperatura auxiliar (opcional)
R6: Resistencia del cárter
R7: Resistencia NTC
S1: Termostato ambiente (opcional)

X1: Terminal
Supply: Alimentación
Fan: Ventilador
Alarm: Alarma
Comp.: Compresor
CCH: Resistencia del cárter
Aux: Auxiliar

Italiano leggenda

A1: Regolatore Optyma™ Plus
A2: Filtro EMI
B1: Trasduttore pressione di condensazione
B2: Trasduttore pressione di aspirazione
B3: Pressostato alta pressione (OFF = 31bar(g), ON = 24bar(g))
B4: Pressostato bassa pressione (OFF = -0,3bar(g), ON = 0,5bar(g))
C1: Condensatore di avviamento

(compressore)
C2: Condensatore di marcia (compressore)
C3: Condensatore di marcia (ventola 1)
C4: Condensatore di marcia (ventola 2)
F1: Fusibile (circuito di controllo)
F2,F3: Motoprotettore
K1: Relè avviamento
K2: Contattore
M1: Compressore
M2: Motore ventola 1
M3: Motore ventola 2

Q1: Interruttore principale
R1: Temp. ambiente Sensore
R2: Temp. scarico Sensore
R3: Temp. aspirazione Sensore
R4,R5: Temp. ausiliaria Sensore (opzionale)
R6: Resistenza carter
R7: Resistore NTC
S1: Termostato ambiente (opzionale)
X1: Terminale

Supply: Alimentazione
Fan: Ventola
Alarm: Allarme
Comp.: Compressore
CCH: Resistenza carter
Aux: Ausiliario

Svenska Legend

A1: Optyma™ Plus regulator
A2: EMI-filter
B1: Kondensortrycksgivare
B2: Sugtrycksgivare
B3: Högtrycksbrytare (OFF = 31bar(g), ON = 24bar(g))
B4: Lågtrycksbrytare (OFF = -0,3bar(g), ON = 0,5bar(g))
C1: Startkondensator (kompessor)

C2: Driftkondensator (kompessor)
C3: Driftkondensator (fläkt 1)
C4: Driftkondensator (fläkt 2)
F1: Säkring (styrkrets)
F2,F3: Motorskydd
K1: Startrelä
K2: Kontaktör
M1: Kompessor
M2: Fläktmotor 1
M3: Fläktmotor 2

Q1: Huvudbrytare
R1: Omgivningstemp. sensor
R2: Tryckrörstemp. sensor
R3: Sugtemp. sensor
R4,R5: Extra temp. sensor (tillval)
R6: Vevhusvärmare
R7: NTC-resistor
S1: Rumstermostat (tillval)
S2: Dörrgränsbrytare
X1: Terminal

Supply: Matning
Fan: Fläkt
Alarm: Larm
Comp.: Kompessor
CCH: Vevhusvärmare
Aux: Extrautrustning

Português Lenda

A1: Controlador Optyma™ Plus
A2: Filtro EMI
B1: Transdutor da pressão de condensação
B2: Transdutor da pressão de aspiração
B3: Pressóstato de alta pressão (OFF = 31bar(g), ON = 24bar(g))
B4: Pressóstato de baixa pressão (OFF = -0,3bar(g), ON = 0,5bar(g))
C1: Condensador de arranque (Compessor)

C2: Condensador de trabalho (Compessor)
C3: Condensador de trabalho (Ventilador 1)
C4: Condensador de trabalho (Ventilador 2)
F1: Fusível (Circuito de controlo)
F2,F3: Protetor do motor
K1: Relé de arranque
K2: Contactor
M1: Compessor
M2: Motor do ventilador 1
M3: Motor do ventilador 2
Q1: Interruptor principal

R1: Sensor da temperatura ambiente
R2: Sensor da temperatura de descarga
R3: Sensor da temperatura de aspiração
R4,R5: Sensor de temperatura, auxiliar (opcional)
R6: Resistência de cárter
R7: Resistência NTC
S1: Termóstato ambiente (opcional)
S2: Fim de curso da porta
X1: Terminal

Supply: Alimentação
Fan: Ventilador
Alarm: Alarme
Comp.: Compessor
CCH: Resistência de cárter
Aux: Auxiliar

Nederlands Legende

A1: Optyma™ Plus-controller
A2: EMI filter
B1: Druktransmitter condensordruk
B2: Druktransmitter zuigdruk
B3: Hogedrukschakelaar (OFF = 31bar(g), ON = 24bar(g))
B4: Lagedrukschakelaar (OFF = -0,3bar(g), ON = 0,5bar(g))
C1: Startcondensator (compessor)

C2: Bedrijfscondensator (compessor)
C3: Bedrijfscondensator(ventilator 1)
C4: Bedrijfscondensator (ventilator 2)
F1: Zekering (stuurkring)
F2,F3: Motorbeveiliging
K1: Startrelais
K2: Schakelaar
M1: Compessor
M2: Ventilatormotor 1
M3: Ventilatormotor 2

Q1: Hoofdschakelaar
R1: Sensor omgevingstemperatuur
R2: Voeler persgastemperatuur
R3: Voeler zuiggestemperatuur
R4,R5: Hulptemperatuursensor (optioneel)
R6: Carterverwarming
R7: NTC-weerstand
S1: Thermostaat (contact)
X1: Aansluiting

Supply: Voeding
Fan: Ventilator
Alarm: alarm
Comp.: Compessor
CCH: Carterverwarming
Aux: Hulp

Suomi Legenda

A1: Optyma™ Plus -säädin
A2: EMI suodatin
B1: Lauhtumispaineen painelähetin
B2: Imupaineen painelähetin
B3: Korkeapainekytin (OFF = 31bar(g), ON = 24bar(g))
B4: Matalapainekytin (OFF = -0,3bar(g), ON = 0,5bar(g))
C1: Käynnistyskondensaattori (kompessor)

C2: Käyntikondensaattori (kompessor)
C3: Käyntikondensaattori (puhallin 1)
C4: Käyntikondensaattori (puhallin 2)
F1: Sulake (säätöpiiri)
F2,F3: Moottorisuoja
K1: Käynnistysrele
K2: Kontaktori
M1: Kompessor
M2: Puhaltimen moottori 1
M3: Puhaltimen moottori 2

Q1: Pääkytkin
R1: Ympäristön lämpötila-anturi
R2: Kuumakaasun lämpötila-anturi
R3: Imukaasun lämpötila-anturi
R4,R5: Ylim. lämpötila-anturi (lisävaruste)
R6: Kampikammion lämmitin
R7: NTC-vastus
S1: Huonetermostaatti (lisävaruste)
X1: Liitin

Supply: Syöttö
Fan: Puhallin
Alarm: Hälytys
Comp.: Kompessor
CCH: Kampikammion lämmitin
Aux: Aux

Instructions

Ελληνικά Θρύλος

A1 : Ελεγκτής Optyma™ Plus
A2 : φίλτρο EMI
B1 : Μετατροπέας Πίεσης Συμπύκνωσης
B2 : Μετατροπέας Πίεσης Αναρρόφησης
B3 : Διακόπτης Υψηλής Πίεσης (OFF = 31bar(g), ON = 24bar(g))
B4 : Διακόπτης Χαμηλής Πίεσης (OFF = -0,3bar(g), ON = 0,5bar(g))
C1 : Πυκνωτής Εκκίνησης (Συμπιεστής)

C2 : Πυκνωτής Λειτουργίας (Συμπιεστής)
C3 : Πυκνωτής Λειτουργίας (Ανεμιστήρας 1)
C4 : Πυκνωτής Λειτουργίας (Ανεμιστήρας 2)
F1 : Ασφάλεια (Κύκλωμα Ελέγχου)
F2 : Προστασία κινητήρα
K1 : Ρελέ Εκκίνησης
K2 : Επαφές
M1 : Συμπιεστής
M2 : Κινητήρας Ανεμιστήρα 1
M3 : Κινητήρας Ανεμιστήρα 2
Q1 : Διακόπτης Ρεύματος

R1 : Αισθητήρας Θερμ. Περιβάλλοντος
R2 : Αισθητήρας Θερμ. Κατάθλιψης
R3 : Αισθητήρας Θερμ. Αναρρόφησης
R4,R5 : Βοηθητικός Αισθητήρας Θερμ.
R6 : Θερμαντήρας Στροφαλοθαλάμου
R7 : Αντιστάτης με αρνητικό συντελεστή θερμοκρασίας (NTC)
S1 : Θερμοστάτης Δωματίου (προαιρετικός)
X1 : Ακροδέκτης

Supply : Τροφοδοσία
Fan : Ανεμιστήρας
Alarm : Συναγερμός
Comp. : Συμπιεστής
CCH : Θερμαντήρας Στροφαλοθαλάμου
Aux : Βοηθητικό

Norsk Legende

A1 : Optyma™ Plus styringsenhet
A2 : EMI-filtre
B1 : Kondensator trykktransduser
B2 : Sugetrykktransduser
B3 : Høytrykksbryter (OFF = 31bar(g), ON = 24bar(g))
B4 : Lavtrykksbryter (OFF = -0,3bar(g), ON = 0,5bar(g))

C1 : Startkondensator (kompressor)
C2 : Driftskondensator (kompressor)
C3 : Driftskondensator (vifte 1)
C4 : Driftskondensator (vifte 2)
F1 : Sikring (styrekurs)
F2,F3 : motorvern
K1 : Startrelé
K2 : Kontaktor
M1 : Kompressor
M2 : Viftemotor 1

M3 : Viftemotor 2
Q1 : Hovedbryter
R1 : Omgivelsestemp. Sensor
R2 : Trykkørør temp. Sensor
R3 : Sugetemp. Sensor
R4,R5 : Auxiliary Temp. Sensor (ekstra)
R6 : Veivhusvarmer
R7 : NTC-motstand
S1 : Romtermostat (ekstra)
X1 : Klemme

Supply : Tilførsel
Fan : Vifte
Alarm : Alarm
Comp. : Kompressor
CCH : Veivhusvarmer
Aux : Ekster

Български (Balgarski) Легенда

A1 : Регулатор Оптыма™ Plus
A2 : ЕМИ филтър
B1 : Трансмитер на кондензаторно налягане
B2 : Трансмитер на смукателно
B3 : Пресостат високо налягане (OFF = 31bar(g), ON = 24bar(g))
B4 : Пресостат ниско налягане (OFF = -0,3bar(g), ON = 0,5bar(g))

C1 : Пусков кондензатор (компресор)
C2 : Работен кондензатор (компресор)
C3 : Работен кондензатор 1
C4 : Работен кондензатор 2
F1 : Предпазител
F2,F3 : Защита на двигателя
K2 : Контактор
K1 : Пусково реле
M1 : Компресор
M2 : Електромотор на вентилатора 1

M3 : Електромотор на вентилатора 2
Q1 : Главен прекъсвач
R1 : Околна темп. Сензор
R2 : Нагнетателна темп. Сензор
R3 : Смукателна темп. Сензор
R4,R5 : Външна темп. Сензор (опция)
R6 : Нагревател на корпуса
R7 : NTC резистор
S1 : Термостат на помещението (опция)
X1 : Клема

Supply : Захранване
Fan : Вентилатор
Alarm : Аларма
Comp. : Компресор
CCH : Нагревател на корпуса
Aux : Спомагателен

Română Legendă

A1 : Controler Optyma™ Plus
A2 : filtru EMI
B1 : Traductor presiune de condensare
B2 : Traductor presiune de aspiratie
B3 : Presostat inaltă presiune (OFF = 31bar(g), ON = 24bar(g))
B4 : Presostat joasă presiune (OFF = -0,3bar(g), ON = 0,5bar(g))
C1 : Condensator de pornire (Compresor)

C2 : Condensator de pornire (Compresor)
C3 : Condensator de pornire (Ventilator 1)
C4 : Condensator de pornire (Ventilator 2)
F1 : Siguranță (Circuit de comandă)
F2,F3 : Dispozitiv de protecție a motorului
K1 : Releu de pornire
K2 : Contactor
M1 : Compresor
M2 : Motor ventilator 1
M3 : Motor ventilator 2

Q1 : Comutator principal
R1 : Senzor temp. ambientă
R2 : Senzor temp. de refulare
R3 : Senzor temp. de aspiratie
R4,R5 : Senzor temp. auxiliar (opțional)
R6 : Rezistență de carter
R7 : Rezistor NTC
S1 : Termostat de cameră (opțional)
X1 : Bornă

Supply : Alimentare
Fan : Ventilator
Alarm : Alarmă
Comp. : Compresor
CCH : Rezistență de carter
Aux : Auxiliar

Čeština Legenda

A1 : Regulátor Optyma™ Plus
A2 : EMI filtr
B1 : Snímač kondenzačního tlaku
B2 : Snímač sacího tlaku
B3 : Vysokotlaký presostat (OFF = 31bar(g), ON = 24bar(g))
B4 : Nízkotlaký presostat (OFF = -0,3bar(g), ON = 0,5bar(g))
C1 : Rozběh. kondenzátor (kompressor)

C2 : Provozní kondenzátor (kompresor)
C3 : Provozní kondenzátor (ventilátor 1)
C4 : Provozní kondenzátor (ventilátor 2)
F1 : Pojistka (řídící obvod)
F2,F3 : Ochrana motoru
K1 : Rozběhové relé
K2 : Stykač
M1 : Kompresor
M2 : Motor ventilátor 1
M3 : Motor ventilátor 2

Q1 : Hlavní vypínač
R1 : Snímač teploty okolí
R2 : Snímač výtláčné teploty
R3 : Snímač sací teploty
R4,R5 : Pomocný snímač teploty (volitelný)
R6 : Vyhřívání olejové vany
R7 : NTC rezistor
S1 : Prostorový termostat (volitelný)
X1 : Svorka

Supply : Přívod el. proudu
Fan : Ventilátor
Alarm : Alarm
Comp. : Kompresor
CCH : Vyhřívání olejové vany
Aux. : Pomocný

Polski Legenda

A1 : regulator Optyma™ Plus
A2 : filtr EMI
B1 : Przetwornik ciśnienia skraplania
B2 : Przetwornik ciśnienia ssania
B3 : Przełącznik wysokiego ciśnienia (OFF = 31bar(g), ON = 24bar(g))
B4 : Przełącznik niskiego ciśnienia (OFF = -0,3bar(g), ON = 0,5bar(g))
C1 : Kondensator rozruchowy (sprężarka)

C2 : Kondensator roboczy (sprężarka)
C3 : Kondensator roboczy (wentylator 1)
C4 : Kondensator roboczy (wentylator 2)
F1 : Bezpiecznik (obwód sterowania)
F2,F3 : Zabezpieczenie silnika
K1 : Przekaznik rozruchowy
K2 : Stycznik
M1 : Sprężarka
M2 : Silnik wentylatora 1
M3 : Silnik wentylatora 3

Q1 : Włącznik główny
R1 : Czujnik temp. otoczenia
R2 : Czujnik temp. na wylocie
R3 : Czujnik temp. na wlocie
R4,R5 : Dodatkowy czujnik temperatury (opcjonalny)
R6 : Grzałka karteru sprężarki
R7 : Opornik NTC
S1 : Sterownik komorowy (opcjonalny)
X1 : Zacisk

Supply : Zasilanie
Fan : Wentylator
Alarm : Alarm
Comp. : Sprężarka
CCH : Grzałka skrzyni korbowej
Aux : Element dodatkowy

Русский Легенда

A1 : Контроллер Оптима™ Плюс
A2 : EMI фильтр
B1 : Датчик давления конденсации
B2 : Датчик давления всасывания
B3 : Датчик высокого давления (OFF = 31bar(g), ON = 24bar(g))
B4 : Реле низкого давления (OFF = -0,3bar(g), ON = 0,5bar(g))
C1 : Пусковой конденсатор (компрессор)

C2 : Рабочий конденсатор (компрессор)
C3 : Рабочий конденсатор (вентилятор 1)
C4 : Рабочий конденсатор (вентилятор 2)
F1 : Предохранитель (цепь управления)
F2,F3 : Защита электродвигателя
K1 : Пусковое реле
K2 : Контактор
M1 : Компрессор
M2 : Мотор вентилятора 1
M3 : Мотор вентилятора 2

Q1 : Главный выключатель
R1 : Датчик темп. окружающей среды
R2 : Датчик темп. нагнетания
R3 : Датчик темп. всасывания
R4,R5 : Дополнительный датчик температуры (опция)
R6 : Подогреватель картера
R7 : Резистор NTC
S1 : Комнатный терморегулятор (опция)
X1 : Клемма

Supply : Поставка
Fan : Вентилятор
Alarm : Авария
Comp. : Компрессор
CCH : Подогреватель картера
Aux. : Вспомогательный

Instructions

ENGINEERING
TOMORROW



Danfoss A/S
6430 Nordborg
Denmark

Danfoss can accept no responsibility for possible errors in catalogues, brochures and other printed material. Danfoss reserves the right to alter its products without notice. This also applies to products already on order provided that such alterations can be made without subsequential changes being necessary in specifications already agreed. All trademarks in this material are property of the respective companies. Danfoss and the Danfoss logotype are trademarks of Danfoss A/S. All rights reserved.