

Manual / Manual / Handbuch / Manuel / Manuel

# Optyma™ Plus Controller installation

Dedicated for Optyma™ Plus INVERTER & New Generation.



<b>English version .....</b>	<b>6</b>
<b>Danish version .....</b>	<b>12</b>
<b>German version .....</b>	<b>18</b>
<b>French version .....</b>	<b>24</b>
<b>Swedish version .....</b>	<b>30</b>

**Annex**

Optyma™ Plus condensing units are pre-parameterized, depending on the model of compressor mounted and the type of refrigerant. Controller parameter "o30" for refrigerant is Factory Preset as per below table and must be changed for other refrigerants (see chapter Commissioning - Quick start of the unit / Refrigerant change).

---

**Supplement**

Optyma™ Plus-kondenseringsaggregater er parameterafstemt på forhånd afhængigt af den monterede kompressormodel og kølemiddeltypen. Regulatorparameter "o30" for kølemiddel er i fabriksindstillingen, som vist ovenfor i tabellen og skal ændres ved anvendelse af andet kølemidde (se kapitlet Idriftsættelse – hurtig start af enheden/kølemiddelskift).

---

**Anhang**

Optyma™ Plus Verflüssigungssätze sind vorparametriert für das installierte Verdichtermodell und verwendete Kältemittel. Der Reglerparameter „o30“ für Kältemittel ist gemäß der folgenden Tabelle werksseitig voreingestellt und muss für andere Kältemittel geändert werden (siehe Kapitel zu Inbetriebnahme – Schnellstart der Einheit/Kältemittelwechsel).

---

**Annexe**

Les groupes de condensation Optyma™ Plus sont pré-paramétrés, en fonction du modèle de compresseur et du type de réfrigérant. Le paramètre du contrôleur "o30" pour le réfrigérant est pré-réglé en usine comme indiqué ci-dessus table et doit être changé pour les autres réfrigérants (voir le chapitre Mise en service - Démarrage rapide de l'unité / Changement de réfrigérant).

---

**Bilaga**

De luftkylda aggregaten Optyma Plus™ är förprogramerade beroende på monterad kompressormodell och typ av köldmedium. Styrparametern "o30" för kylmedel är fabriksinställd enligt ovan bord och måste ändras för andra kylmedel (se kapitel Idriftsättning – Snabbstart av aggregatet/Byte av köldmedium).

Code (controller parameter o61)*	Model* Optyma™ Plus New Generation	Code-no.	Compressor*	Refrigerant (controller parameter o30)*																
				Factory Presetting	R404A (19)	R507 (17)	R134a (3)	R513A (13)	R407A (21)	R407F (37)	R448A (40)	R449A (41)	R452A (42)							
1	OP-MPHM007NFP00G	114X4101	NF7MLX	R404A	x	x														
2	OP-MPHM010SCP00G	114X4102	SC10MLX	R404A	x	x														
3	OP-MPHM012SCP00G	114X4104	SC12MLX	R404A	x	x														
4	OP-MPHM015SCP00G	114X4105	SC15MLX	R404A	x	x														
5	OP-MPHM018SCP00G	114X4109	SC18MLX	R404A	x	x														
6	OP-MPGM034GSP00G	114X4210	GS34MFX	R134a			x													
7	OP-MPHM026GSP00G	114X4214	GS26MLX	R404A	x	x														
8	OP-MPHM034GSP00G	114X4229	GS34MLX	R404A	x	x														
20	OP-LPHM018SCP00G	114X3109	SC18CLX.2	R404A	x	x														
21	OP-LPHM026GSP00G	114X3217	GS26CLX	R404A	x	x														
22	OP-LPQM017MPP00G	114X3118	MPT16LA	R452A	x	x														x
22	OP-LPQM026AJP00G	114X3216	CAJ2446Z	R452A	x	x														x
22	OP-LPQM074FHP00G	114X3252	FH2511Z	R452A	x	x														x
22	OP-LPQM074FHP00G	114X3253	TFH2511Z	R452A	x	x														x
22	OP-LPQM048NTP00G	114X3225	NTZ48-5VM	R452A	x	x														x
23	OP-LPQM048NTP00E	114X3233	NTZ48-4VM	R452A	x	x														x
24	OP-LPQM068NTP00G	114X3241	NTZ68-5VM	R452A	x	x														x
25	OP-LPQM068NTP00E	114X3249	NTZ68-4VM	R452A	x	x														x
26	OP-LPQM096NTP00E	114X3357	NTZ96-4VM	R452A	x	x														x
27	OP-LPQM136NTP00E	114X3365	NTZ136-4VM	R452A	x	x														x
28	OP-MPYM008MYP00G	114X4119	MLY80RAb	R449A	x	x														x
28	OP-MPYM009MYP00G	114X4120	MLY90RAb	R449A	x	x														x
28	OP-MPYM012MPP00G	114X4121	MPT12RA	R449A	x	x														x
28	OP-MPYM014MPP00G	114X4122	MPT14RA	R449A	x	x														x
28	OP-MPBM018AJP00G	114X4230	CAJ9510Z	R449A	x	x														x
28	OP-MPBM024AJP00G	114X4200	CAJ9513Z	R449A	x	x														x
28	OP-MPBM026AJP00G	114X4212	CAJ4517Z	R449A	x	x														x
28	OP-MPBM026AJP00E	114X4213	TAJ4517Z	R449A	x	x														x
28	OP-MPBM034AJP00G	114X4226	CAJ4519Z	R449A	x	x														x
28	OP-MPBM034AJP00E	114X4227	TAJ4519Z	R449A	x	x														x
28	OP-MPXM034MLP00G	114X4261	MLZ015T5LP9	R449A	x	x	x	x	x	x	x	x	x	x	x	x	x	x	x	x
29	OP-MPXM034MLP00E	114X4264	MLZ015T4LP9	R449A	x	x	x	x	x	x	x	x	x	x	x	x	x	x	x	x
30	OP-MPXM046MLP00G	114X4281	MLZ021T5LP9	R449A	x	x	x	x	x	x	x	x	x	x	x	x	x	x	x	x
31	OP-MPXM046MLP00E	114X4284	MLZ021T4LP9	R449A	x	x	x	x	x	x	x	x	x	x	x	x	x	x	x	x
32	OP-MPXM068MLP00G	114X4308	MLZ030T5LC9	R449A	x	x	x	x	x	x	x	x	x	x	x	x	x	x	x	x
33	OP-MPXM068MLP00E	114X4311	MLZ030T4LC9	R449A	x	x	x	x	x	x	x	x	x	x	x	x	x	x	x	x
34	OP-MPXM080MLP00G	114X4321	MLZ038T5LC9	R449A	x	x	x	x	x	x	x	x	x	x	x	x	x	x	x	x
35	OP-MPXM080MLP00E	114X4324	MLZ038T4LC9	R449A	x	x	x	x	x	x	x	x	x	x	x	x	x	x	x	x
36	OP-MPXM108MLP00E	114X4344	MLZ048T4LC9	R449A	x	x	x	x	x	x	x	x	x	x	x	x	x	x	x	x
37	OP-MPXM125MLP00E	114X4414	MLZ058T4LC9	R449A	x	x	x	x	x	x	x	x	x	x	x	x	x	x	x	x
38	OP-MPXM162MLP00E	114X4434	MLZ076T4LC9	R449A	x	x	x	x	x	x	x	x	x	x	x	x	x	x	x	x
39	OP-LPQM215LLP00E	114X3476	LLZ024T4LC9	R452A	x	x														x
40	OP-LPQM271LLP00E	114X3482	LLZ034T4LC9	R452A	x	x														x
41	OP-MPXM057MLP00G	114X4290	MLZ026T5LP9	R449A	x	x	x	x	x	x	x	x	x	x	x	x	x	x	x	x
42	OP-MPXM057MLP00E	114X4293	MLZ026T4LP9	R449A	x	x	x	x	x	x	x	x	x	x	x	x	x	x	x	x
52	OP-MPGM033AJP00G	114X4220	CAJ4511Y	R134a			x	x												
55	OP-MPLM028VVZP01E	114X4300	VLZ028TGA	R404A	x	x				x	x									
55	OP-MPPM028VVZP01E	114X4302	VLZ028TGA	R449A	x	x				x	x									x
56	OP-MPLM035VVZP01E	114X4316	VLZ035TGA	R404A	x	x				x	x									
56	OP-MPPM035VVZP01E	114X4316	VLZ035TGA	R449A	x	x				x	x									x
57	OP-MPLM044VVZP01E	114X4334	VLZ044TGA	R404A	x	x				x	x									
57	OP-MPPM044VVZP01E	114X4334	VLZ044TGA	R449A	x	x				x	x									x

**Code (controller parameter o61):** Kode (regulatorparameter o61) / Code (Reglerparameter o61) / Code (contrôleur paramètre o61) / Code (controller parameter o61)

**Model:** Model / Modell / Modèle / Modell

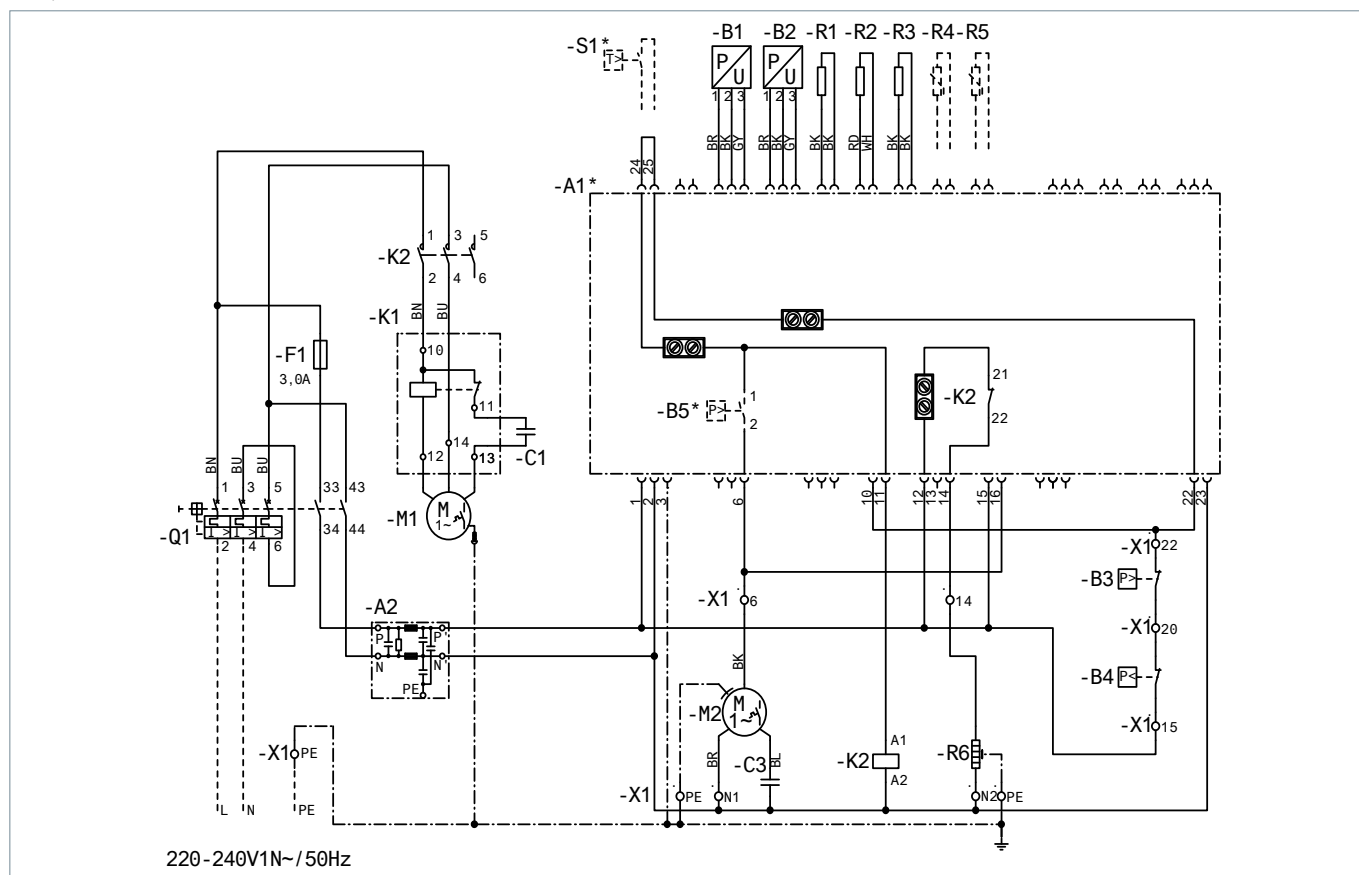
**Code-no.:** Bestillingsnr. / Art-Nr. / Code n° / Artikelnummer

**Compressor:** Kompressor / Verdichter / Compresseur / Kompressor

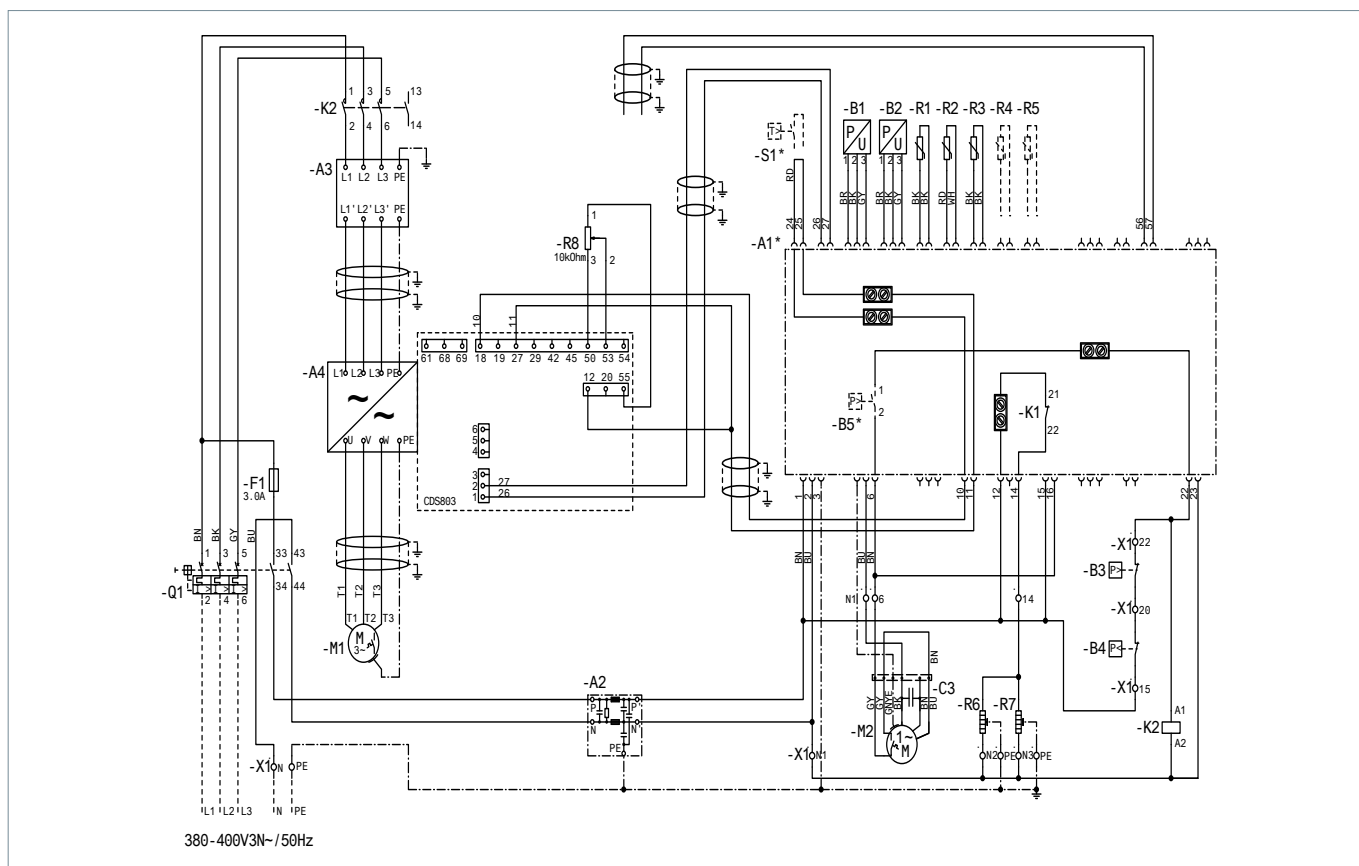
**Refrigerant:** Kølemiddel (regulatorparameter o30) / Kältemittel (Reglerparameter o30) / Réfrigérant (contrôleur paramètre o30) / Köldmedium

**\*Settings are adjustable:** indstillinger er justerbare / Werte einstellbar / paramètres sont réglables / Inställningarna kan justeras

**Opty™ Plus equipped with fixed speed compressor**



**Opty™ Plus INVERTER equipped with variable speed compressor**



## Manual

### English Legend

A1*	Controller (option)	B5*	Fan speed controller/pressure switch (option)	R1	Ambient temp. sensor
A2	EMI filter (control circuit)	C1	Start capacitor (compressor)	R2	Discharge temp. sensor
A3	EMC/RFI Filter (Compressor)	C3	Run capacitor (fan)	R3	Suction temp. sensor
A4	Frequency Converter	F1	Fuse (control circuit)	R4,R5	Auxiliary temp. sensor
B1	Condensing pressure transducer	K1	Start Relay	R6	Crankcase heater
B2	Suction pressure transducer	K2	Contactactor	R7	Oil separator heater
B3	High pressure switch	M1	Compressor	R8	Potentiometer
B4	Low pressure switch	M2	Fan motor	S1*	Room thermostat (option)
		Q1	Main switch	X	Terminals

### Dansk Legend

A1*	Regulator (ekstraustyr)	B5*	Ventilatorhastighedsregulator/Pressostat (ekstraustyr)	R1	Omg. temp. føler
A2	EMIFilter (Styrekredslob)	C1	Startkondensator (Kompressor)	R2	Afgangtemp. Føler
A3	EMC/RFI-filter (Kompressor)	C3	Driftskondensator (Ventilator)	R3	Sugetemp. Føler
A4	frekvensomformer	F1	Sikring (Styrekredslob)	R4,R5	Hjælpetemp. Sensor
B1	Kondenseringstryktransducer	K1	Startrelæ	R6	Krumtaphusvarmer
B2	Sugetryktransducer	K2	Kontaktor	R7	Olieskillevarmeelement
B3	Højtrykspresostat	M1	Kompressor	R8	Potentiometer
B4	Lavtrykspresostat	M2	Ventilatormotor	S1*	Rumtermostat (ekstraustyr)
		Q1	Hovedafbryder	X	Terminal

### Deutsch Legende

A1*	Regler (optional)	B5*	Drehzahlregler / Druckschalter (optional)	R1	Umgebungstemp. Fühler
A2	EMV Filter (Steuerkreis)	C1	Anlaufkondensator (Verdichter)	R2	Heißgastemp. Fühler
A3	EMV Filter (Frequenzumformer)	C3	Betriebskondensator (Lüfter)	R3	Saugstutztemp. Fühler
A4	Frequenzumformer	F1	Sicherung (Steuerkreis)	R4,R5	Zusatztemp. Fühler
B1	Druckmessaufnehmer (Hochdruck)	K1	Anlaufrelais	R6	Kurbelwannenheizung
B2	Druckmessaufnehmer (Niederdruck)	K2	Schütz	R7	Ölabscheiderheizung
B3	Hochdruckschalter	M1	Verdichter	R8	Potentiometer
B4	Niederdruckschalter	M2	Lüftermotor	S1*	Raumthermostat (optional)
		Q1	Hauptschalter	X	Anschlussklemme

### Français Légende

A1*	contrôleur (en option)	B5*	Régulateur de vitesse du ventilateur/Pressostat (en option)	R1	sonde de température ambiante
A2	Filtre EMI (Circuit de commande)	C1	Condensateur de démarrage (Compresseur)	R2	sonde de température de refoulement
A3	Filtre RFI/EMC (Compresseur)	C3	Condensateur de marche (ventilateur)	R3	sonde de température d'aspiration
A4	Convertisseur de fréquence	F1	fusible (Circuit de commande)	R4,R5	sonde de température auxiliaire (en option)
B1	transducteur de pression de condensation	K1	relais de démarrage	R6	résistance de carter
B2	transducteur de pression d'aspiration	K2	contacteur	R7	Résistance de séparateur d'huile
B3	pressostat haute pression	M1	compresseur	R8	Potentiomètre
B4	pressostat basse pression	M2	moteur de ventilateur	S1*	thermostat d'ambiance (en option)
		Q1	sectionneur principal	X	borne

### Svenska Legend

A1*	regulator (tillval)	B5*	Fläktastighetsregulator/pressostat (tillval)	R1	Omgivningstemp. sensor
A2	EMI-filter (styrkrets)	C1	Startkondensator (kompressor)	R2	Tryckrörstemp. sensor
A3	EMC/RFI-filter (kompressor)	C3	Driftkondensator (fläkt)	R3	Sugtemp. sensor
A4	Frekvensomformare	F1	Säkring (styrkrets)	R4,R5	Extra temp. sensor (tillval)
B1	Kondensortrycksgivare	K1	Startrelä	R6	Vevhusvärmare
B2	Högtrycksbrytare	K2	Kontaktor	R7	Värmare för oljeavskiljare
B3	Högtrycksbrytare	M1	Kompressor	R8	Potentiometer
B4	Lågtrycksbrytare	M2	Fläktmotor	S1*	Rumstermostat (tillval)
		Q1	Huvudbrytare	X	Terminal



**Contents**

<b>Commissioning</b> .....	<b>7</b>
Electrical installations.....	7
Main display (after controller start-up) .....	7
Parameter Menu.....	7
Quick start of the unit / Refrigerant change .....	7
Pump Down - Function.....	8
Day/Night - Function .....	8
<b>Service and Maintenance</b> .....	<b>8</b>
Main Display .....	8
Operating Parameters.....	8
Alarm and Error Messages.....	9
<b>Repair</b> .....	<b>9</b>
Controller failure .....	9
Factory reset .....	10
Controller Replacement of a unit on site .....	10
<b>Control</b> .....	<b>10</b>
Control of condensing pressure .....	10
Control of crankcase heater .....	10
Control of Fan Speed .....	10
Safety Parameter "Low Pressure" .....	11
Safety Parameter "High Pressure" .....	11



**Commissioning**
**Electrical installations**

- Arrange electrical connections as mentioned in the table below
- Remove temporarily bridge DI1 (terminals 24 - 25 of the controller) to get access to parameters and values of the controller without starting the condensing unit

Room Thermostat control without Pump Down function	Pump Down control with factory delivered low pressure transmitter
<ul style="list-style-type: none"> <li>- Connect Room Thermostat to these terminals</li> <li>- Connect power supply to main switch acc. wiring diagram, located in front door inner side</li> </ul>	<ul style="list-style-type: none"> <li>- Connect power supply to main switch acc. wiring diagram, located in front door inner side</li> <li>- Increase the Setting of controller Par. c33 (Pump Down CUT-OUT value): e.g. Piston : 0,7bar e.g. Scroll : 1,7bar Note: To avoid low pressure alarm, the Setting of c33 and r23 (for INVERTER units) should be higher than c75</li> </ul>

**Main display (after controller start-up)**

- The controller's screen displays the Evaporation Temperature in °C
- Press short the lower button of the controller to show the Condensing Temperature in °C
- After a few seconds the display returns to the Evaporation Temperature in °C

**Parameter Menu**

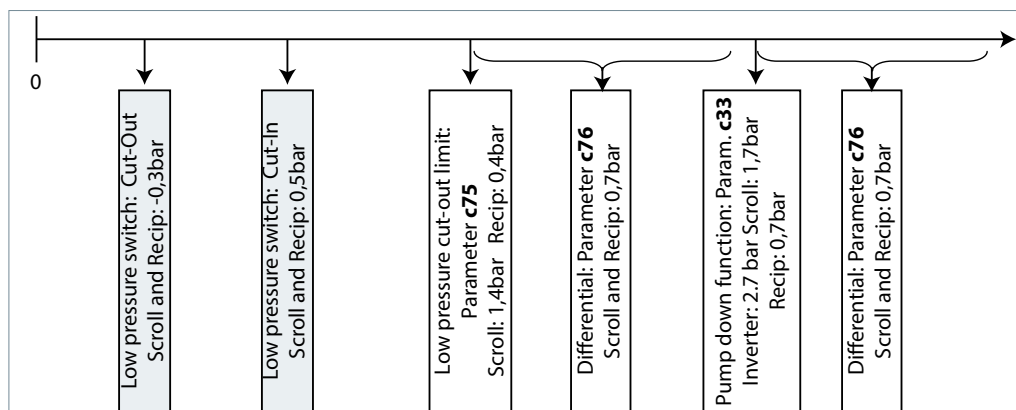
- To get access to parameter menu press 5 seconds the upper button of the controller
- The first Parameter "r05" of the Parameter menu will be shown on the display
- Press short the upper (or lower) button to go to the next Parameter of the Parameter menu. Scroll fast through the Parameters with a long press on these buttons
- Press short the middle button to show the value of the selected Parameter
- Press afterwards the upper (or lower) button to change the value of the selected parameter. A long press on these buttons will change the value fast
- The value will be stored after 20 seconds without any action or with a short press on the middle button
- After 20 seconds without pressing any button, the display returns to the main screen, the evaporation temperature in °C. The parameter menu is closed now, to go back to the parameter menu press again upper button 5 seconds ...

**Quick start of the unit / Refrigerant change**

- Optyma™ Plus new generation is preset, depending on the compressor model and refrigerant type. In the case of a "multi-refrigerant" compressor, the controller of the condensing unit is Factory Preset as per above table (see table on page3). If this factory setting fits for the requirement of your application, no controller parameter must be changed.
- For a refrigerant change go into the parameter menu (press upper button 5 seconds)
- Select parameter "r12" (software main switch) with a short press on lower button
- Activate parameter "r12" with middle button and change the value to 0 (zero)
- Confirm the value with a short press on the middle button (the 3 LED's start flashing)
- Go to the parameter "o30" (Refrigerant)
- Change the value to 3 (R134a), 17 (R507), 20 (R407C), 19 (R404A), 21 (R407A), 37 (R407F), 40 (R448A), 41 (R449A), 42 (R452A), 13 (R513A)
- Confirm the value with a short press on the middle button
- Select parameter "r12" again
- Change the value to 1 (one)
- Confirm the value with a short press on the middle button (the 3 LED-signs stop flashing and the condensing unit will start if required)
- After 20 seconds the display returns to the evaporation temperature in °C, the new refrigerant and all relevant parameters are changed

**Pump Down - Function**

- A “pump-down” limit can be activated with the setting of parameter c33
- To avoid unwanted low pressure alarms, the setting of this parameter should be higher than the low pressure cut-out limit parameter c75, ... e.g. below



**Day/Night - Function**

In some areas it may be necessary to reduce noise level during night time. This is possible with the “Day / Night” function of the Optyma™ Plus controller which limits the fan speed for all units and the compressor speed for INVERTER units. For activation follow the next steps ...

- Activate the parameter menu (press upper button min. 5 sec.)
- Select parameter “r13” Night Offset (temperature offset related to condensing temperature setpoint for daytime which is parameter “r29”)
- Push middle button and set the desired value, e.g. 005 for 5 Kelvin
- Confirm the value with a short press on the middle button. Do the same with the next parameters which are required for the “Day / Night” - function ...
- Select and set parameter “t17” Day start (hours), e.g. 006 for 06:00 a.m.
- Select and set parameter “t18” Night start (hours), e.g. 022 for 22:00 p.m.
- Select and set parameter “t07” Clock setting (hours), e.g. 011 for 11:xx a.m.
- Select and set parameter “t08” Clock setting (minutes), e.g. 035 for 11:35 a.m.
- Select and set parameter “t45” Clock setting (date), e.g. 010 for 10.xx.xx
- Select and set parameter “t46” Clock setting (month), e.g. 004 for 10.04.xx
- Select and set parameter “t47” Clock setting (year), e.g. 012 for 10.04.12
- All values will be stored with the middle button or after 20s without pressing any button

**Service and Maintenance**

**Main Display**

(Evaporating and Condensing Temperature, Setpoint Temperature Difference)

- The controller displays the evaporation temperature in °C (main screen)
- It will show the readout of the condensing temperature in °C after pressing short the lower button
- Pressing short the middle button, the setpoint of the temperature difference between condensing and ambient temperature appears which can be directly modified here by pressing the upper or lower button.
- The display returns to main screen after a few seconds without any action on the buttons

**Operating Parameters**

• Operation conditions of the condensing unit can be displayed in the parameter menu by selecting parameters “U” ... below some examples

- u01 Condensing Pressure
- u10 Status of DI1 (room thermostat)
- u21 Superheat
- u37 Status of DI2 (frequency converter alarm)
- u52 Compressor Capacity
- U22 Condensing Temperature
- U23 Evaporation Pressure
- U24 Evaporation Temperature
- U25 Ambient Temperature
- U26 Discharge Temperature
- U27 Suction Temperature
- U44 Voltage on A01
- U56 Voltage on A02

**Alarm and Error Messages**

• In case of “malfunctions” 3 small LED symbols will flash on the controller’s screen. Acknowledge with a short press on upper button. Here some examples below ...

A2	Low Suction Pressure Alarm
A17	Safety Input Alarm (DI3: High condensing / low suction pressure)
A96	Discharge Gas Temperature High
A97	Digital Input Alarm (DI2: Frequency converter alarm)
E20	Condensing Pressure Transmitter Error
E31	Ambient Temperature Sensor Error
E32	Discharge Temperature Sensor Error
E33	Suction Gas Temperature Sensor Error
E39	Evaporating Pressure Transmitter Error

**Repair**
**Controller failure**

(if the controller fails, there is a possibility to run the condensing unit in “manual” mode. Proceed as follows)

**Fixed speed units:**

See wiring diagrams on p. 4.

- Disconnect the condensing unit from power supply (turn hardware main switch off)
  - Remove wire from controller terminal 22 (safety input DI3) and terminal 25 (room thermostat DI1) and put them together
  - Remove wire from controller terminal 24 (room thermostat DI1) and terminal 11 (compressor supply) and put them together
  - Remove wire 6\* and connect it with terminal bridge for wire 11 and 24.
  - Remove wire from terminal 14 (crankcase heater) and connect it to compressor contactor K2 terminal 22
  - Remove wire from controller terminal 12 (supply crankcase heater), extend this wire approximately 40cm and connect it to compressor contactor K2 terminal 21
- Pay attention: Remove the big terminal block from the controller or remove the complete controller
- Connect the condensing unit back to power supply (turn hardware main switch on)

**Variable speed units:**

See wiring diagrams on p. 5.

- Disconnect the condensing unit from power supply (turn hardware main switch off)
  - Remove wire from controller terminal 22 (safety input) and terminal 6\* (fan) and put them together
  - Remove wire from controller terminal 10 (compressor relay) and terminal 24 (room thermostat) and put them together
  - Remove wire from controller terminal 11 (compressor relay) and terminal 25 (room thermostat) and put them together
  - Remove wire from Inverter terminal 50 and connect to Potentiometer terminal 3
  - Remove wire from Inverter terminal 53 and connect to Potentiometer terminal 2
  - Remove wire from Inverter terminal 55 and connect to Potentiometer terminal 1
  - Remove wire from terminal 14 (crankcase heater) and connect it to compressor contactor K1 terminal 22
  - Remove wire from controller terminal 12 (supply crankcase heater), extend this wire approximately 40cm and connect it to compressor contactor K1 terminal 21
- Pay attention: Remove the big terminal block from the controller or remove the complete controller
- Connect the condensing unit back to power supply (turn hardware main switch on)

\*Option: A fan pressure switch or fan speed controller can be connected in series to wire n°6

**Factory reset**

(all factory parameters can be restored by the following procedure)

- Turn OFF the main power switch
- While holding simultaneously the up and down button, turn ON the main switch
- Message FAC is displayed, means "FACTORY RESET" restores factory settings
- After a short time message "typ" appears on the screen
- Activate parameter menu and go to parameter o61 (unit type)
- Enter the value 1 to 57 depending on the type of condensing unit (see table 1 on page 3)
- Store the entered value by pressing the middle button of the controller
- After 15 seconds without action the message "ref" appears on the screen
- Activate parameter menu and go to parameter o30 (refrigerant)
- Change the value to 3 (for refrigerant R134a), 17(R507), 20(R407C), 19(R404A), 21(R407A), 37(R407F), 40(R448A), 41(R449A), 42(R452A) or 13 (R513A)

For INVERTER units only:

- Set parameter c71 to 2 (variable speed compressor)
- Set parameter o37 to 7 (frequency converter alarm on DI2)
- Store the entered value by pressing the middle button of the controller
- Go to parameter o67 (store values as factory setting)
- Change the value to "on"
- Validate the parameter entered by pressing the middle button of the controller
- After 15 seconds without action the message "OFF" appears on the screen
- Activate parameter menu and go to parameter r12 (main switch)
- Change the value to 1 (condensing unit will start if cooling demand from cold room controller)
- The "Day / Night" function must be reprogrammed too (see chapter Commissioning - Day/Night - Function)

**Controller Replacement of a unit on site**

- Turn OFF the main power switch
- Remove the new controller (remove all plugs, 2 x I-type screws and controller)
- Install the new controller
- Turn ON main power switch again, no factory reset needed
- After a short time message "typ" appears on the screen
- Follow same steps as shown in preceding chapter fifth row and following

spare part code controller SINGLE pack: 118U3465

**Control**
**Control of condensing pressure**

- The setpoint condensing temperature is calculated from the measured ambient temperature plus an adjustable Temperature Offset (called Reference) and controlled by the fan speed
- Factory setting of Reference = 8.0K
- The Reference is accessible by pressing short the middle button of the controller
- When Reference is shown, it can be modified with the upper or lower button
- Additionally to this the control of the condensing temperature can be limited by following parameters:  
"r82" = minimal condensing temperature (factory set: 10.0°C)  
"r83" = maximal condensing temperature (factory set: 40.0°C)

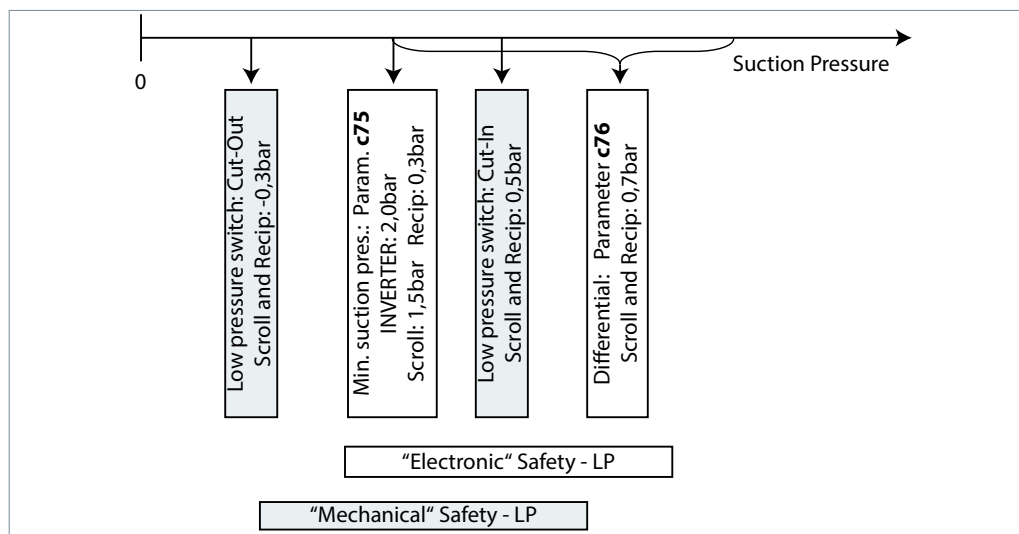
**Control of crankcase heater**

- The controller optimizes the regulation of the crankcase heater itself. The heating power depends on the ambient temperature and suction pressure and is controlled by Pulse Width modulation
- There is no change of parameters "P45", "P46" and "P47" necessary on site

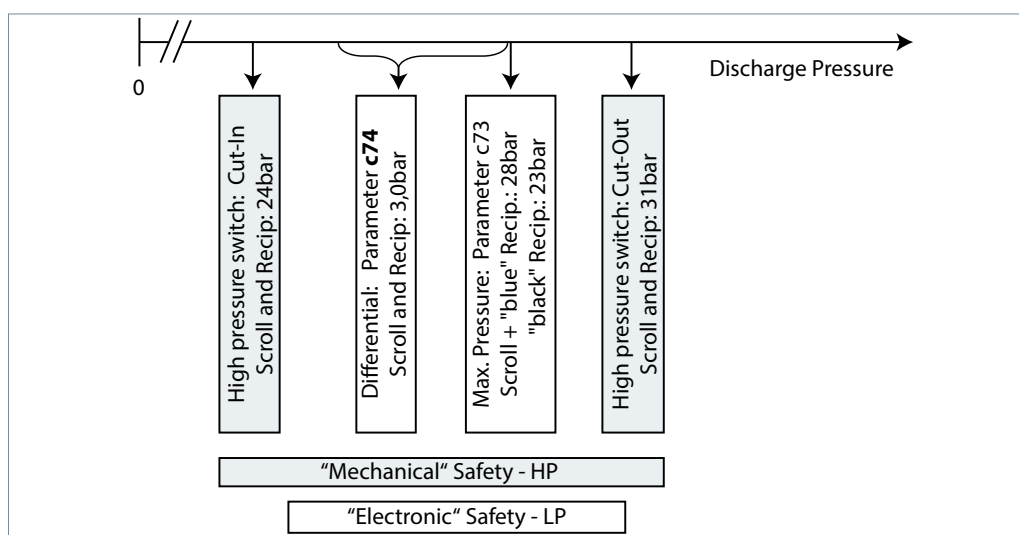
**Control of Fan Speed**

- The fan speed is controlled by PI-control, depends on the actual value and the setpoint of the condensing temperature
- There is no change of parameters "F14" and "F21" to be provided on site

**Safety Parameter "Low Pressure" for R448A / R449A / R452A**



**Safety Parameter "High Pressure" for R448A / R449A / R452A**



**Indholdsfortegnelse**

<b>Idriftsættelse.....</b>	<b>13</b>
Elektriske installationer.....	13
Regulatorvisning (efter opstart).....	13
Parametermenu.....	13
Hurtigstart af enheden/kølemiddelskift.....	13
Pump down – funktion.....	14
Dag/nat-funktion .....	14
<b>Service og vedligeholdelse.....</b>	<b>14</b>
Hovedvisning .....	14
Driftsparametre .....	14
Alarm- og fejlmeddelelser.....	15
<b>Reparation .....</b>	<b>15</b>
Regulatorfejl .....	15
Fabriksreset.....	16
Udskiftning af regulator for et aggregat på stedet.....	16
<b>Regulering .....</b>	<b>16</b>
Regulering af kondenseringstryk .....	16
Regulering af krumtaphusvarmelegeme .....	16
Regulering af ventilatorhastighed.....	16
Sikkerhedsparameter "lavtryk" .....	17
Sikkerhedsparameter "højtryk" .....	17

## Idriftsættelse

### Elektriske installationer

- Arranger elektriske tilslutninger som nævnt i tabellen nedenfor
- Afmonter midlertidigt bro DI1 (regulatorens terminal 24-25) for at få adgang til parametre og værdier for regulatoren uden at starte kondenseringsaggregatet

Rumtermostat uden pump down-funktion	Pump down-regulering med fabriksmonteret lavtrykstransmitter
<ul style="list-style-type: none"> <li>- Tilslut rumtermostat til disse terminaler</li> <li>- Tilslut strømforsyning til hovedafbryderen i henhold til el-diagram, der er placeret i sidedørens inderside</li> </ul>	<ul style="list-style-type: none"> <li>- Tilslut strømforsyning til hovedafbryderen i henhold til el-diagram, der er placeret på indersiden af døren foran</li> <li>- Forøg indstillingen for regulatorpar. c33 (udkoblingsværdi for "pump down"): f.eks. stempel: 0,7 bar f.eks. scroll: 1,7 bar Bemærk: For at undgå lavtryksalarm skal indstillingen for c33 og r23 (for INVERTER-enheder) være højere end c75</li> </ul>

### Regulatorvisning (efter opstart)

- Regulatorens display viser kondenseringstemperaturen i °C
- Tryk kort på regulatorens nederste knap for at vise kondenseringstemperaturen i °C
- Efter nogle få sekunder vender visningen tilbage til fordampningstemperatur i °C

### Parametermenu

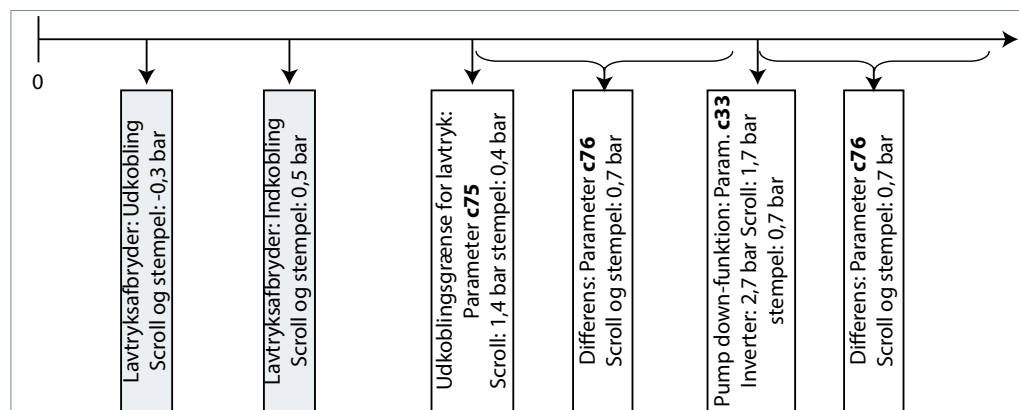
- Tryk på regulatorens øverste knap i 5 sekunder for at få adgang til parametermenuen
- Parametermenuens første parameter "r05" vises på displayet
- Tryk kort på den øverste (eller nederste) knap for at gå til det næste parameter på parametermenuen. Rul hurtigt gennem parametrene med et langt tryk på disse knapper
- Tryk kort på den midterste knap for at få vist værdien for det valgte parameter
- Tryk derefter på den øverste (eller nederste) knap for at indstille værdien af det valgte parameter. Et langt tryk på disse knapper skifter hurtigt værdien
- Værdien lagres med et kort tryk på den midterste knap (kvittering for accept af den nye værdi)
- Efter 20 sekunder uden tryk på nogen knap vender visningen tilbage til "hovedbilledet" på displayet, fordampningstemperatur i °C. Parametermenuen er lukket nu. Tryk igen på den øverste knap i 5 sekunder for at gå tilbage til parametermenuen

### Hurtigstart af enheden/ kølemiddelskift

- Optyma™ Plus New Generation er forudindstillet, afhængig af kompressormodel og kølemiddeltpe. I tilfælde af en kompressor til flere kølemidler er kondenseringsaggregatets regulator er fabriksindstillet som i nedenstående tabel (se tabel på side 3). Hvis denne fabriksindstilling passer til dine anvendelsesbehov, skal ingen regulatorparametre ændres.
- Gå ind i parametermenuen for kølemiddelskift (tryk på øverste knap i 5 sekunder)
- Vælg parameter "r12" med et kort tryk på nederste knap
- Aktiver parameter "r12" med midterste knap, og indstil værdien til 0 (nul)
- Bekræft værdien med et kort tryk på den midterste knap (de 3 LED'er begynder at blinke)
- Gå til parametret "o30" (kølemiddel)
- Indstil værdien til 3 (R134a), 17 (R507), 20 (R407C), 19 (R404A), 21 (R407A), 37 (R407F)40 (R448A), 41 (R449A), 42 (R452A), 13 (R513A)
- Bekræft værdien med et kort tryk på den midterste knap
- Vælg igen parameter "r12"
- Indstil værdien til 1 (et)
- Bekræft værdien med on kort tryk på den midterste knap (de 3 LED-skilte stopper med at blinke, og kondenseringsaggregatet starter om nødvendigt)
- Efter 20 sekunder vender visningen tilbage til fordampningstemperaturen i °C. Det nye kølemiddel og alle relevante parametre er ændret
- r12 er regulator hovedafbryder

**Pump down – funktion**

- En grænse for "pump down" kan aktiveres ved indstilling af parameter c33
- For at undgå uønskede lavtryksalarmer skal indstillingen for dette parameter være højere end parameter c75 for lavtryksudkobling, f.eks. som herunder

**Dag/nat-funktion**

I nogle områder kan det være nødvendigt at reducere støjniveauet om natten. Dette er muligt med Optyma™ Plus-regulatorens dag/nat-funktion, som begrænser ventilatorhastigheden for alle drev og kompressorhastigheden for INVERTER-drev. Følg nedenstående trin ved aktivering.

- Aktiver parametermenue (tryk på øverste knap i min. 5 sek.)
- Vælg parameter "r13" natforskydning (temperaturforskydning relateret til kondenseringstemperaturens indstillingspunkt for dag, hvilket er parameter "r29"
- Tryk på den midterste knap, og indstil den ønskede værdi, f.eks. 005 for 5 Kelvin
- Bekræft værdien med et kort tryk på den midterste knap. Gør det samme med de næste parametre, der er påkrævet for "dag/nat"-funktionen.
- Vælg og indstil parameter "t17" dagstart (timer), f.eks. 006 for kl. 6.00
- Vælg og indstil parameter "t18" natstart (timer), f.eks. 022 for kl. 22.00
- Vælg og indstil parameter "t07" indstilling af ur (timer), f.eks. 011 for kl. 11.xx
- Vælg og indstil parameter "t08" indstilling af ur (minutter), f.eks. 035 for kl. 11.35
- Vælg og indstil parameter "t45" indstilling af ur (dato), f.eks. 010 for 10.xx.xx
- Vælg og indstil parameter "t46" indstilling af ur (måned), f.eks. 004 for 10.04.xx
- Vælg og indstil parameter "t47" indstilling af ur (år), f.eks. 012 for 10.04.12
- Alle værdier gemmes ved at trykke på den midterste knap

**Service og vedligeholdelse****Hovedvisning**

(Fordampnings- og kondenseringstemperatur, indstillingspunkt for temperaturforskell)

- Regulatoren viser fordampningstemperaturen i °C ("hovedbilledet" på displayet)
- Den viser udlæsningen for kondenseringstemperaturen i °C efter kort tryk på den nederste knap
- Ved kort tryk på den midterste knap ses indstillingspunktet for temperaturforskellen mellem kondenserings- og omgivelsestemperatur, som direkte kan modificeres her ved tryk på øverste eller nederste knap.
- Visningen vender tilbage til "hovedbilledet" på displayet efter få sekunder uden betjening af knapperne

**Driftsparametre**

- Driftsforhold for kondenseringsaggregatet kan vises i parametermenue ved valg af parametrene "U". Se eksempler her:

u01	Kondenseringstryk
u10	Status for DI1 (rumtermostat)
u21	Overhedning
u37	Status for DI2 (frekvensomformeralarm)
u52	Kompressorkapacitet
U22	Kondenseringstemperatur
U23	Fordampningstryk
U24	Fordampningstemperatur
U25	Omgivelsestemperatur
U26	Afgangstemperatur
U27	Sugetemperatur
U44	Spænding på A01
U56	Spænding på A02



**Alarm- og fejlmeddelelser**

- I tilfælde af "fejlfunktion" blinker 3 små LED-symboler på regulatorens display. Godkend med et kort tryk på øverste knap. Se nogle eksempler her.

A2	Alarm for lavt sugetryk
A17	Sikkerhedsindgangsalarm (DI3: Højt kondenseringstryk/lavt sugetryk)
A96	Trykrørstemperatur høj
A97	Digital indgangsalarm (DI2: frekvensomformeralarm)
E20	Fejl i kondenseringstryktransmitter
E31	Fejl i omgivelsestemperaturføler
E32	Fejl i afgangstemperaturføler
E33	Fejl i sugegastemperaturføler
E39	Fejl i fordampningstryktransmitter

**Reparation****Regulatorfejl**

(hvis regulatoren har fejlfunktion, er det muligt at køre kondenseringsaggregatet i "manuel" tilstand. Gå frem som følger)

**Drev med fast hastighed:**

Se el-diagram på s. 4.

- Afbryd kondenserings aggregatet fra strømforsyningen (sluk for udstyrets hovedafbryder)
  - Fjern ledning fra regulatorterminal 22 (sikkerhedsindgang DI3) og terminal 25 (rumtermostat DI1), og sæt dem sammen
  - Fjern ledning fra regulatorterminal 24 (rumtermostat DI1) og terminal 11 (kompressorforsyning DI1), og sæt dem sammen
  - Fjern ledning 6\*, og forbind den med terminalbroen for ledning 11 og 24.
  - Fjern ledningen fra regulatorterminal 14 (varmelegeme til krumtaphus), og tilslut den til kompressorkontaktor K2 terminal 22
  - Fjern ledningen fra regulatorterminal 12 (forsyning, krumtaphusvarmelegeme), forlæng denne ledning ca. 40 cm, og tilslut den til kompressorkontaktor K2 terminal 21
- Vær omhyggelig: Afmonter den store terminalblok fra regulatoren, eller afmonter hele regulatoren
- Tilslut kondenserings aggregatet til strømforsyningen igen (slå hovedafbryder for hardware til)

**Drev med variabel hastighed:**

Se el-diagram på s. 5.

- Afbryd kondenserings aggregatet fra strømforsyningen (sluk for udstyrets hovedafbryder)
  - Fjern ledning fra regulatorterminal 22 (sikkerhedsindgang DI3) og terminal 6\* (ventilator), og sæt dem sammen
  - Fjern ledning fra regulatorterminal 10 (kompressorrelæ) og terminal 24 (rumtermostat), og sæt dem sammen
  - Fjern ledning fra regulatorterminal 11 (kompressorrelæ) og terminal 25 (rumtermostat), og sæt dem sammen
  - Fjern ledningen fra Inverter-terminal 50 og tilslut til potentiometer terminal 3
  - Fjern ledningen fra Inverter terminal 53 og tilslut til potentiometer terminal 2
  - Fjern ledningen fra Inverter terminal 55 og tilslut til potentiometer terminal 1
  - Fjern ledningen fra regulatorterminal 14 (varmelegeme til krumtaphus), og tilslut den til kompressorkontaktor K1 terminal 22
  - Fjern ledningen fra regulatorterminal 12 (forsyning, krumtaphusvarmelegeme), forlæng denne ledning ca. 40 cm, og tilslut den til kompressorkontaktor K1 terminal 21
- Vær omhyggelig: Afmonter den store terminalblok fra regulatoren, eller afmonter hele regulatoren
- Tilslut kondenserings aggregatet til strømforsyningen igen (slå hovedafbryder for hardware til)

\*Mulighed En ventilator pressostat eller ventilatorhastighedsregulator kan serieforbindes til ledning nr. 6

**Fabriksreset**

(alle fabriksparametre kan gendannes ved følgende procedure)

- Slå hovedafbryderen FRA
- Hold op- og nedknappen nede samtidig og slå hovedafbryderen TIL
- Beskeden FAC vises, hvilket betyder "fabriksreset", gendanner fabriksindstillinger
- Efter kort tid vises beskeden "typ" på displayet
- Aktiver parametermenu, og gå til parameter o61 (enhedstype)
- Indtast værdien 1 til 57, afhængigt af typen af kondenseringsaggregat (se tabel 1 på side 3)
- Gem den indtastede værdi ved at trykke på regulatorens midterste knap
- Efter 15 sekunder uden betjening ses beskeden "ref" på displayet
- Aktiver parametermenuen, og gå til parameter o30 (kølemiddel)
- Indstil værdien til f.eks. 3 (med kølemiddel R134a), 17(R507), 20(R407C), 19(R404A), 21(R407A), 37(R407F), 40(R448A), 41(R449A), 42(R452A) eller 13 (R513A)

Kun for INVERTER-enheder:

- Indstil parameter c71 til 2 (kompressor med variabel hastighed)
- Indstil parameter o37 til 7 (frekvensomformeralarm på DI2)
- Gem den indtastede værdi ved at trykke på regulatorens midterste knap
- Gå til parameter o67 (gem værdier som fabriksindstilling)
- Indstil værdien til "on"
- Bekræft det indtastede parameter ved at trykke på regulatorens midterste knap
- Efter 15 sekunder uden betjening ses beskeden "OFF" på displayet
- Aktiver parametermenu, og gå til parameter r12 (hovedafbryder)
- Indstil værdien til 1 (kondenseringsenhed starter ved kølebehov fra kølerumsregulator)
- Dag/nat-funktionen skal også genprogrammes (se kapitlet Idriftsættelse – Dag/nat-funktion)

**Udskiftning af regulator for et aggregat på stedet**

- Slå hovedafbryderen FRA
- Afmonter den "gamle" regulator (afmonter alle propper, 2 skruer af I-type og regulator)
- Montér den nye regulator
- Slå hovedafbryderen TIL igen, fabriksreset ikke nødvendigt
- Efter kort tid vises beskeden "typ" på displayet
- Følg samme trin som vist i foregående kapitel fra femte række og frem

reservedelskode regulator, enkelt stk: 118U3465

**Regulering****Regulering af kondenseringstryk**

- Indstillingspunktet for kondenseringstemperaturen beregnes ud fra den målte omgivelsestemperatur plus en indstillelig temperaturforskydning (reference) og styres af ventilatorhastigheden
- Fabriksindstilling for reference = 8,0 K
- Referencen er tilgængelig ved kort tryk på regulatorens midterste knap
- Når referencen vises, kan den modificeres med øverste eller nederste knap
- Ud over dette kan reguleringen af kondenseringstemperaturen begrænses af følgende parametre:
  - "r82" = minimal kondenseringstemperatur (fabriksindstillet: 10,0° C)
  - "r82" = maksimal kondenseringstemperatur (fabriksindstillet: 40,0° C)

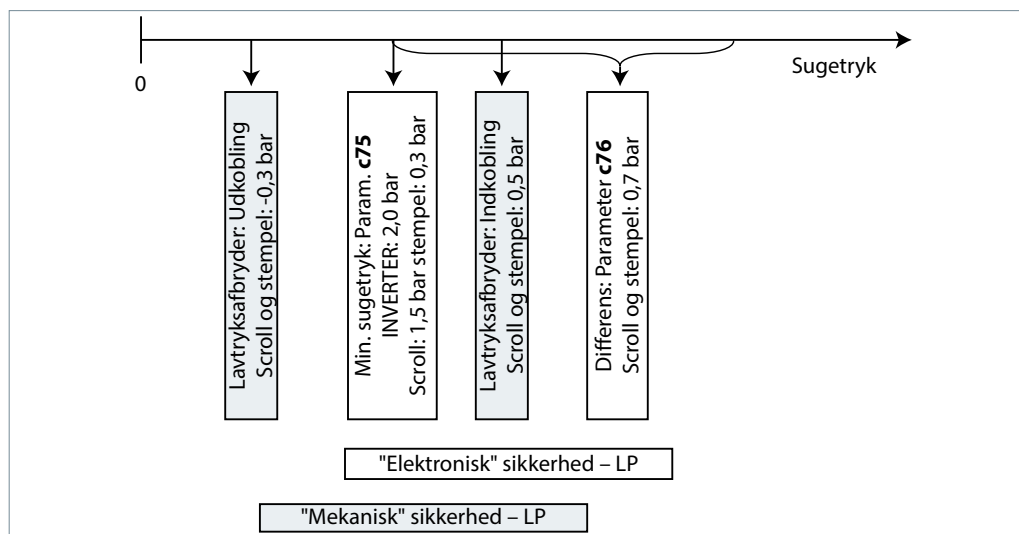
**Regulering af krumtaphusvarmelegeme**

- Regulatoren optimerer reguleringen af selve krumtaphusvarmelegemet. Varmeeffekten afhænger af omgivelsestemperaturen og sugetrykket og reguleres af pulsbreddemodulation
- Der kræves ingen ændring af parameter "P45", "P46" og "P47" på stedet

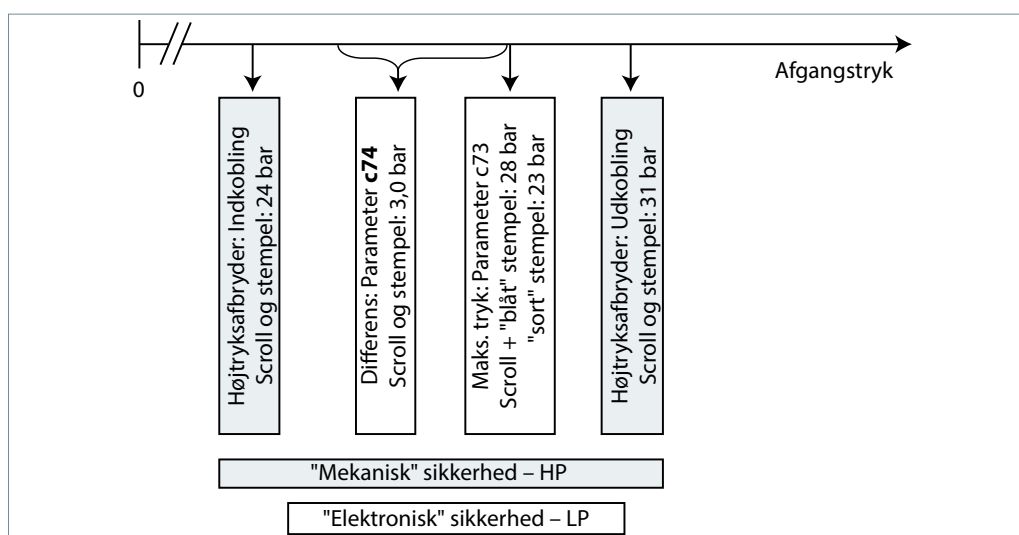
**Regulering af ventilatorhastighed**

- Ventilatorhastigheden reguleres ved PI-regulering, afhænger af den faktiske værdi og indstillingspunkt for kondenseringstemperaturen
- Der er ingen ændring af parameter "F14" og "F21", der skal laves på stedet

**Sikkerhedsparameter**  
**"lavtryk" for R448A / R449A /**  
**R452A**



**Sikkerhedsparameter**  
**"højtryk" for R448A / R449A /**  
**R452A**



<b>Inhalt</b>	<p><b>Inbetriebnahme ..... 19</b></p> <p>Elektrische Installation ..... 19</p> <p>Displayanzeige (nach Reglerstart) ..... 19</p> <p>Parametermenü ..... 19</p> <p>Schnellstart der Einheit/Kältemittelwechsel ..... 19</p> <p>Pump-down-Funktion ..... 20</p> <p>Tag-/Nachtfunktion ..... 20</p> <p><b>Instandhaltung und Wartung ..... 20</b></p> <p>Displayanzeige ..... 20</p> <p>Betriebsparameter ..... 20</p> <p>Alarm- und Fehlermeldungen ..... 21</p> <p><b>Reparatur ..... 21</b></p> <p>Reglerdefekt ..... 21</p> <p>Zurücksetzen auf Werkseinstellungen ..... 22</p> <p>Regleraustausch bei einer Einheit vor Ort ..... 22</p> <p><b>Regelung ..... 22</b></p> <p>Regelung des Verflüssigungsdrucks ..... 22</p> <p>Regelung der Kurbelwannenheizung ..... 22</p> <p>Regelung der Lüfterdrehzahl ..... 22</p> <p>Sicherheitsparameter „Niederdruck“ ..... 23</p> <p>Sicherheitsparameter „Hochdruck“ ..... 23</p>
---------------	-------------------------------------------------------------------------------------------------------------------------------------------------------------------------------------------------------------------------------------------------------------------------------------------------------------------------------------------------------------------------------------------------------------------------------------------------------------------------------------------------------------------------------------------------------------------------------------------------------------------------------------------------------------------------------------------------------------------------------------------------------------------------------------------------------------------------------------------------------------------------------------------------------------------------------

**Inbetriebnahme**
**Elektrische Installation**

- Stellen Sie die elektrischen Verbindungen wie in der Tabelle unten beschrieben her.
- Entfernen Sie vorübergehend die Verbindungsbrücke DI1 (Klemmen 24 – 25 am Regler), um ohne Start des Verflüssigungssatzes auf die Parameter und Werte zugreifen zu können.

Raumthermostatregelung ohne Pump-down-Funktion	Pump-down-Regelung mit Niederdruckmessumformer ab Werk
<ul style="list-style-type: none"> <li>- Raumthermostat an diese Klemmen anschließen.</li> <li>- Stromversorgung mit Hauptschalter verbinden, wie im Schaltplan auf der Innenseite der Fronttür gezeigt.</li> </ul>	<ul style="list-style-type: none"> <li>- Stromversorgung mit Hauptschalter verbinden, wie im Schaltplan auf der Innenseite der Fronttür gezeigt.</li> <li>- Einstellung von Reglerparameter c33 (Pump-down-ABSCHALT-Wert) erhöhen: z. B. Normalkühlung Hubkolben: 0,7 bar, Tiefkühlung Hubkolben: 0,2 bar z. B. Scroll: 0,7 bar Hinweis: Um Niederdruckalarmlaute zu vermeiden, sollte die Einstellung von c33 und r23 (für drehzahlgeregelte-Geräte) höher sein als c75.</li> </ul>

**Displayanzeige (nach Reglerstart)**

- Das Display des Reglers zeigt die Verdampfungstemperatur in °C an.
- Betätigen Sie kurz die untere Taste, um die Verflüssigungstemperatur in °C anzuzeigen.
- Nach wenigen Sekunden kehrt die Anzeige zur Verdampfungstemperatur zurück.

**Parametermenü**

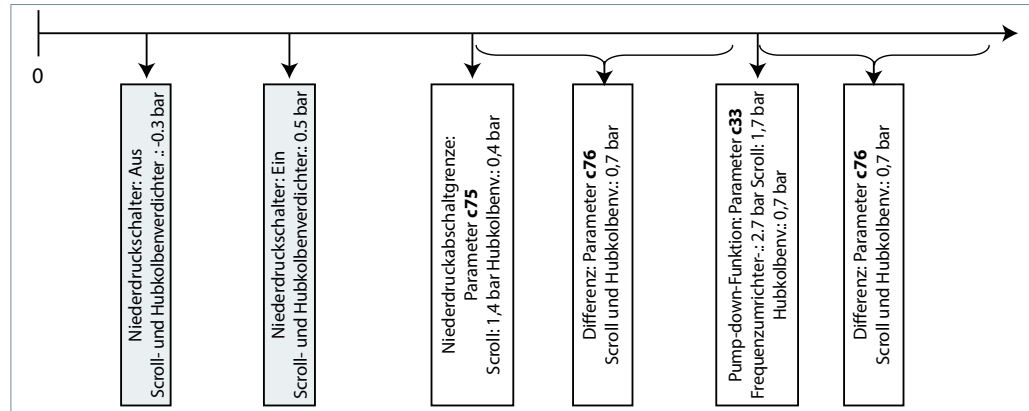
- Zum Aufrufen des Parametermenüs drücken Sie 5 Sekunden auf die obere Taste des Reglers.
- Der erste Parameter r05 im Parametermenü wird angezeigt.
- Drücken Sie kurz die obere (oder untere) Taste, um zum nächsten Parameter im Parametermenü zu wechseln. Für einen schnellen Wechsel durch die Parameter drücken Sie eine der Tasten etwas länger.
- Um den Wert des ausgewählten Parameters anzuzeigen, betätigen Sie kurz die mittlere Taste.
- Drücken Sie anschließend die obere (oder untere) Taste, um den Wert des gewählten Parameters zu ändern. Durch längeres Betätigen einer der Tasten wird der Wert schnell geändert.
- Der Wert wird durch kurzes Drücken der mittleren Taste oder automatisch nach 20 Sekunden ohne Betätigung einer Taste gespeichert.
- Nach 20 Sekunden ohne Betätigung einer Taste kehrt die Anzeige in die Hauptansicht (Verdampfungstemperatur in °C) zurück und das Parametermenü wird geschlossen. Um zum Parametermenü zurückzukehren, drücken Sie erneut die obere Taste für 5 Sekunden.

**Schnellstart der Einheit/ Kältemittelwechsel**

- Opty™ Plus neue Generation ist entsprechend dem installierten Verdichtermodell und verwendeten Kältemittel voreingestellt. Im Fall eines Verdichters für mehrere Kältemittel ist der Regler des Verflüssigungssatzes werkseitig gemäß obiger Tabelle voreingestellt (siehe Tabelle auf Seite 3). Wenn diese Werkseinstellung zu Ihrer Anwendung passt, muss kein Reglerparameter geändert werden.
- Um die Kältemittelleinstellung zu ändern, rufen Sie das Parametermenü auf (obere Taste für 5 Sekunden drücken).
- Wählen Sie den Parameter r12 (Softwarehauptschalter) durch kurzes Betätigen der unteren Taste.
- Aktivieren Sie Parameter r12 mit der mittleren Taste und ändern Sie den Wert auf „0“.
- Bestätigen Sie den Wert durch kurzes Drücken der mittleren Taste (die drei LEDs blinken).
- Wechseln Sie zum Parameter o30 (Kältemittel).
- Ändern Sie den Wert auf 3 (R134a), 17 (R507), 20 (R407C), 19 (R404A), 21 (R407A), 37 (R407F), 40 (R448A), 41 (R449A), 42 (R452A), 13 (R513A)
- Bestätigen Sie den Wert durch kurzes Drücken der mittleren Taste.
- Wählen Sie erneut den Parameter r12.
- Ändern Sie den Wert auf „1“.
- Bestätigen Sie den Wert durch kurzes Drücken der mittleren Taste (die drei LEDs hören auf zu blinken und der Verflüssigungssatz startet erforderlichenfalls).
- Nach 20 Sekunden kehrt die Anzeige in die Hauptansicht (Verdampfungstemperatur in °C) zurück. Die Kältemittelleinstellung und alle relevanten Parameter wurden geändert.

**Pump-down-Funktion**

- Mithilfe des Parameters c33 kann ein Pump-down-Grenzwert aktiviert werden.
- Um ungewollte Niederdruckalarmlerme zu vermeiden, sollte dieser Parameter höher gewählt sein als der Parameter c75 für die Niederdruckabschaltgrenze, siehe unten.



**Tag-/Nachtfunktion**

In einigen Anwendungsbereichen kann ein reduzierter Geräuschpegel bei Nacht erforderlich sein. Dies wird durch die Tag-/Nachtfunktion des Optyma™-Plus-Reglers ermöglicht. Sie begrenzt die Lüfterdrehzahl bei allen Einheiten und die Verdichterdrehzahl bei drehzahlgeregelten -Verdichtern. Zur Aktivierung gehen Sie wie folgt vor:

- Rufen Sie das Parametermenü auf (obere Taste min. 5 Sekunden drücken).
- Wählen Sie Parameter r13 Nacht-Offset (Temperatur-Offset in Bezug auf den Verflüssigungstemperatur-Sollwert bei Tage; dies ist Parameter r29).
- Drücken Sie die mittlere Taste und stellen Sie den gewünschten Wert ein, z. B. 005 für 5 Kelvin.
- Bestätigen Sie den Wert durch kurzes Drücken der mittleren Taste. Verfahren Sie genauso mit den nächsten Parametern für die Tag-/Nachtfunktion.
- Wählen und setzen Sie Parameter t17 – Beginn Tag (Stunden), z. B. 006 für 6:00 Uhr.
- Wählen und setzen Sie Parameter t18 – Beginn Nacht (Stunden), z. B. 022 für 22:00 Uhr.
- Wählen und setzen Sie Parameter t07 – Einstellung Uhr (Stunden), z. B. 011 für 11:xx Uhr.
- Wählen und setzen Sie Parameter t08 – Einstellung Uhr (Minuten), z. B. 035 für 11:35 Uhr.
- Wählen und setzen Sie Parameter t45 – Einstellung Uhr (Tag), z. B. 010 für 10.xx.xx.
- Wählen und setzen Sie Parameter t46 – Einstellung Uhr (Monat), z. B. 004 für 10.04.xx.
- Wählen und setzen Sie Parameter t47 – Einstellung Uhr (Jahr), z. B. 012 für 10.04.12.
- Alle Werte werden entweder durch Drücken der mittleren Taste oder automatisch nach 20 Sekunden ohne Betätigung einer Taste gespeichert.

**Instandhaltung und Wartung**

**Displayanzeige**

(Verdampfungs- und Verflüssigungstemperatur, Sollwert Temperaturdifferenz)

- Das Display des Reglers zeigt die Verdampfungstemperatur in °C an (Hauptansicht).
- Durch kurzes Drücken der unteren Taste wird die Verflüssigungstemperatur in °C angezeigt.
- Wenn Sie kurzzeitig die mittlere Taste drücken, wird der Sollwert der Temperaturdifferenz zwischen Verflüssigungs- und Umgebungstemperatur angezeigt. Dieser Wert kann direkt durch Drücken der oberen oder unteren Taste geändert werden.
- Die Anzeige kehrt automatisch nach ein paar Sekunden ohne Betätigung einer Taste in die Hauptansicht zurück.

**Betriebsparameter**

• Durch Wählen der u-Parameter können Sie die Betriebsbedingungen anzeigen, z. B.:

- u01 Verflüssigungsdruck
- u10 Status von DI1 (Raumthermostat)
- u21 Überhitzung
- u37 Status von DI2 (Alarm Frequenzumrichter)
- u52 Verdichterleistung
- u22 Verflüssigungstemperatur
- u23 Verdampfungsdruck
- u24 Verdampfungstemperatur
- u25 Umgebungstemperatur
- u26 Verdichtungsendtemperatur
- u27 Saugtemperatur
- u44 Spannung an A01
- u56 Spannung an A02

**Alarm- und Fehlermeldungen**

- Bei einer Fehlfunktion blinken die drei kleinen LED-Symbole in der Regleranzeige. Bestätigen Sie die Meldung durch Drücken der oberen Taste. Hier einige Beispiele für Warn-/ Fehlermeldungen:

A2	Alarm niedriger Saugdruck
A17	Alarm Sicherheitseingang (DI3: hoher Verflüssigungsdruck/niedriger Saugdruck)
A96	Druckgastemperatur hoch
A97	Alarm für den digitalen Eingang (DI2: Alarm Frequenzumrichter)
E20	Fehler Verflüssigungsdruckmessumformer
E31	Fehler Umgebungstemperaturfühler
E32	Fehler Verdichtungsendtemperaturfühler
E33	Fehler Sauggastemperaturfühler
E39	Fehler Verdampfungsdruckmessumformer

**Reparatur****Reglerdefekt**

(Für den Fall, dass der Regler ausfällt, kann der Verflüssigungssatz manuell betrieben werden. Gehen Sie dazu wie folgt vor.)

**Verdichter mit fester Drehzahl:**

Siehe Schaltpläne auf S. 4.

- Trennen Sie den Verflüssigungssatz von der Stromversorgung (drehen Sie den Geräte Hauptschalter in die Aus-Position).
  - Entfernen Sie die Ader von Reglerklemme 22 (Sicherheitseingang DI3) und Klemme 25 (Raumthermostat DI1) und verbinden Sie diese miteinander.
  - Entfernen Sie die Ader von Reglerklemme 24 (Raumthermostat DI1) und Klemme 11 (Verdichterstromversorgung) und verbinden Sie diese miteinander.
  - Entfernen Sie die Ader 6\* und verbinden Sie sie mit der Klemmbrücke für Ader 11 und 24.
  - Entfernen Sie die Ader von Reglerklemme 14 (Kurbelwannenheizung) und schließen Sie sie an die Klemme 22 des Verdichterschützes K2 an.
  - Entfernen Sie die Ader von Reglerklemme 12 (Stromversorgung Kurbelwannenheizung), verlängern Sie die Ader um ca. 40 cm und schließen Sie sie an die Klemme 21 des Verdichterschützes K2 an.
- Bitte beachten Sie Folgendes: Entfernen Sie den großen Klemmblock vom Regler oder entfernen Sie den gesamten Regler.
- Schließen Sie den Verflüssigungssatz wieder an die Stromversorgung an (drehen Sie den Geräte Hauptschalter in die Ein-Position).

**Drehzahleregelte Geräte:**

Siehe Schaltpläne auf S. 5.

- Trennen Sie den Verflüssigungssatz von der Stromversorgung (drehen Sie den Geräte Hauptschalter in die Aus-Position).
  - Entfernen Sie die Ader von Reglerklemme 22 (Sicherheitseingang) und Klemme 6\* (Lüfter) und verbinden Sie sie miteinander.
  - Entfernen Sie die Ader von Reglerklemme 10 (Verdichterrelais) und Klemme 24 (Raumthermostat) und verbinden Sie sie miteinander.
  - Entfernen Sie die Ader von Reglerklemme 11 (Verdichterrelais) und Klemme 25 (Raumthermostat) und verbinden Sie sie miteinander.
  - Entfernen Sie die Ader von Frequenzumrichter- Klemme 50 und schließen Sie sie an die Klemme 3 des Potentiometers an.
  - Entfernen Sie die Ader von Frequenzumrichter- Klemme 53 und schließen Sie sie an die Klemme 2 des Potentiometers an.
  - Entfernen Sie die Ader von Frequenzumrichter- Klemme 55 und schließen Sie sie an die Klemme 1 des Potentiometers an.
  - Entfernen Sie die Ader von Reglerklemme 14 (Kurbelwannenheizung) und schließen Sie sie an die Klemme 22 des Verdichterschützes K1 an.
  - Entfernen Sie die Ader von Reglerklemme 12 (Stromversorgung Kurbelwannenheizung), verlängern Sie die Ader um ca. 40 cm und schließen Sie sie an die Klemme 21 des Verdichterschützes K1 an.
- Bitte beachten Sie Folgendes: Entfernen Sie den großen Klemmblock vom Regler oder entfernen Sie den gesamten Regler.
- Schließen Sie den Verflüssigungssatz wieder an die Stromversorgung an (drehen Sie den Geräte Hauptschalter in die Ein-Position).

\*Möglichkeit: An die Ader 6 kann ein Lüfterdruckschalter oder ein Lüfterdrehzahlregler in Reihe geschaltet werden.

**Zurücksetzen auf****Werkseinstellungen**

(Alle Werkseinstellungen lassen sich wie folgt wiederherstellen.)

- Schalten Sie die Einheit über den Geräte Hauptschalter aus.
- Während Sie gleichzeitig die obere und untere Taste gedrückt halten, schalten Sie das Gerät am Hauptschalter wieder ein.
- Die Meldung „FAC“ wird angezeigt. Sie bedeutet, dass das Gerät auf die Werkseinstellungen zurückgesetzt wird.
- Anschließend wird im Display die Meldung „typ“ angezeigt.
- Rufen Sie das Parametermenü auf und wechseln Sie zum Parameter o61 (Gerätetyp).
- Geben Sie je nach verwendetem Verflüssigungssatz einen Wert zwischen „1“ und „57“ ein (siehe Tabelle 1 auf Seite 3).
- Speichern Sie den eingegebenen Wert durch Betätigen der mittleren Taste am Regler.
- Nach 15 Sekunden ohne Betätigung einer Taste wird im Display die Meldung „ref“ angezeigt.
- Rufen Sie das Parametermenü auf und wechseln Sie zum Parameter o30 (Kältemittel).
- Ändern Sie den Wert auf 3(R134a), 17(R507), 20(R407C), 19(R404A), 21(R407A), 37(R407F), 40(R448A), 41(R449A), 42(R452A) oder 13 (R513A).

Nur für FREQUENZUMRICHTER-:

- Stellen Sie Parameter c71 auf 2 (drehzahl geregelter Verdichter) ein.
- Stellen Sie Parameter o37 auf 7 (Alarm Frequenzumrichter an D12) ein.
- Speichern Sie den eingegebenen Wert durch Betätigen der mittleren Taste am Regler.
- Wechseln Sie zum Parameter o67 (Werte als Werkseinstellung speichern).
- Ändern Sie den Wert auf „on“.
- Bestätigen Sie den eingegebenen Parameterwert durch Drücken der mittleren Taste am Regler.
- Nach 15 Sekunden ohne Betätigung einer Taste wird im Display die Meldung „OFF“ angezeigt.
- Rufen Sie das Parametermenü auf und wechseln Sie zum Parameter r12 (Hauptschalter).
- Ändern Sie den Wert auf „1“ (Verflüssigungssatz startet, wenn Kühlstellenregler/Thermostat Kühlung anfordert).
- Auch die Tag-/Nachtfunktion muss neu programmiert werden (siehe Kapitel zu Inbetriebnahme – Tag-/Nachtfunktion).

**Regler austausch bei einer Einheit vor Ort**

- Schalten Sie die Einheit über den Geräte Hauptschalter aus.
- Bauen Sie den defekten Regler aus (alle Stecker, 2 x Schrauben Typ I und Regler entfernen).
- Installieren Sie den neuen Regler.
- Schalten Sie die Einheit über den Geräte Hauptschalter wieder ein. Es ist kein Zurücksetzen auf Werkseinstellungen erforderlich.
- Anschließend wird im Display die Meldung „typ“ angezeigt.
- Gehen Sie genauso wie im vorherigen Kapitel (Zeile 5 ff.) vor.

Ersatzteilnummer Regler Einzelpack: 118U3465

**Regelung****Regelung des****Verflüssigungsdrucks**

- Der Sollwert der Verflüssigungstemperatur ergibt sich aus der gemessenen Umgebungstemperatur plus einem einstellbaren Temperatur-Offset (als Referenz bezeichnet) und wird von der Lüfterdrehzahl bestimmt.
- Werkseinstellung der Referenz = 8,0 K.
- Um auf die Referenz zuzugreifen, betätigen Sie kurz die mittlere Taste am Regler.
- Wenn die Referenz angezeigt wird, kann sie über die obere oder untere Taste geändert werden.
- Zudem kann die Regelung der Verflüssigungstemperatur mithilfe der folgenden Parameter begrenzt werden:  
r82 = min. Verflüssigungstemperatur (Werkseinstellung: 10,0 °C)  
r83 = max. Verflüssigungstemperatur (Werkseinstellung: 40,0 °C)

**Regelung der****Kurbelwannenheizung**

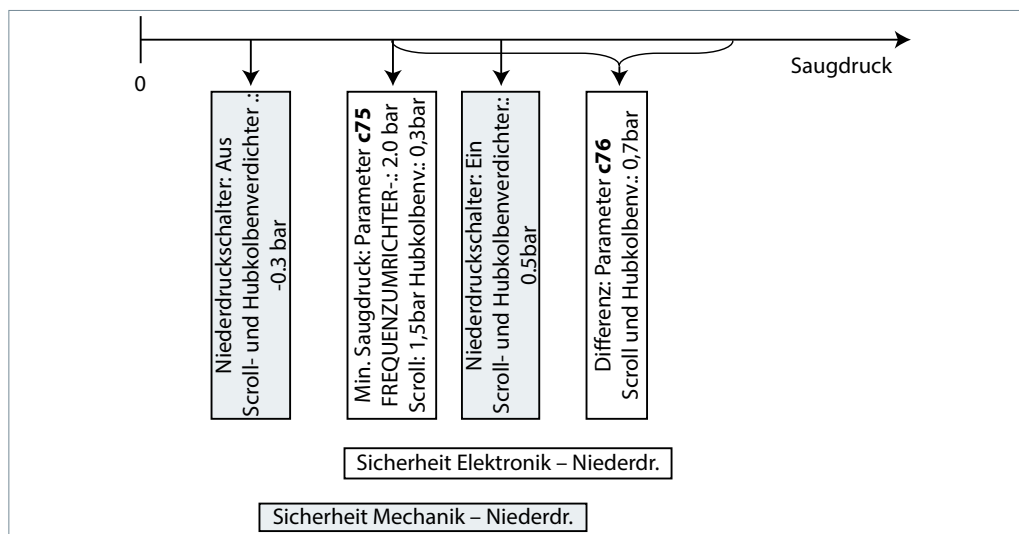
- Der Regler sorgt selbstständig für eine optimale Regelung der Kurbelwannenheizung. Die Heizleistung hängt von der Umgebungstemperatur und dem Saugdruck ab und wird durch Pulsbreitenmodulation bestimmt.
- Eine Änderung der Parameter P45, P46 und P47 vor Ort ist nicht erforderlich.

**Regelung der Lüfterdrehzahl**

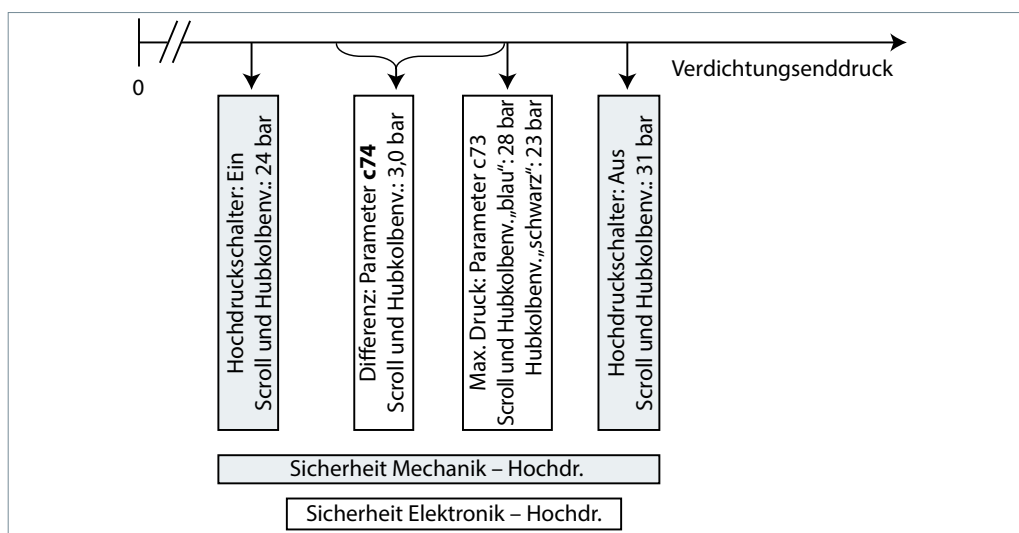
- Die Lüfterdrehzahl wird durch PI-Regelung bestimmt und hängt vom Ist- und Sollwert der Verflüssigungstemperatur ab.
- Eine Änderung der Parameter F14 und F21 vor Ort ist nicht möglich.



**Sicherheitsparameter „Niederdruck“ für R448A / R449A / R452A**



**Sicherheitsparameter „Hochdruck“ für R448A / R449A / R452A**



Sommaire

<b>Mise en service .....</b>	<b>25</b>
Installations électriques .....	25
Écran principal (après le démarrage du contrôleur) .....	25
Menu des paramètres .....	25
Démarrage rapide de l'unité/Changement de réfrigérant.....	25
Fonction «pump-down».....	26
Fonction Jour/Nuit .....	26
<b>Service et maintenance .....</b>	<b>26</b>
Écran du contrôleur - Affichage «permanent» .....	26
Visualisation des paramètres de fonctionnement .....	26
Alarmes et messages d'erreur .....	27
<b>Dépannage .....</b>	<b>27</b>
Défaillance du contrôleur .....	27
Réinitialisation du paramétrage usine.....	28
Remplacement du contrôleur d'une unité sur site.....	28
<b>Régulation .....</b>	<b>28</b>
Régulation de la condensation.....	28
Régulation de la résistance de carter .....	28
Régulation de la vitesse de rotation du ventilateur.....	28
Paramétrage de sécurité côté « basse pression ».....	29
Paramétrage de sécurité côté « haute pression » .....	29

**Mise en service**
**Installations électriques**

- Effectuez les raccordements électriques comme indiqué dans le tableau ci-dessous.
- Retirez temporairement le raccord D11 (bornes 24 et 25 du contrôleur), afin d'accéder aux paramètres et aux valeurs du contrôleur sans avoir à démarrer le groupe de condensation.

Régulation par thermostat d'ambiance sans fonction pump down	Régulation pump down avec transmetteur de basse pression livré d'usine
<ul style="list-style-type: none"> <li>- Connectez le thermostat d'ambiance à ces bornes</li> <li>- Connectez l'alimentation électrique au sectionneur principal conformément au schéma électrique, situé sur la face interne de la porte avant</li> </ul>	<ul style="list-style-type: none"> <li>- Connectez l'alimentation électrique au sectionneur principal conformément au schéma électrique, situé sur la face interne de la porte avant</li> <li>- Augmentez la valeur du paramètre c33 du contrôleur (valeur de COUPURE pump down) : Exemple piston : 0,7 bar Exemple Scroll : 1,7 bar Remarque : pour éviter les alarmes de basse pression, le réglage de c33 et r23 (pour les unités de l'INVERTER) doit être supérieur à c75</li> </ul>

**Écran principal (après le démarrage du contrôleur)**

- L'écran du contrôleur affiche la température d'évaporation en °C.
- Appuyez brièvement sur le bouton inférieur du contrôleur pour afficher la température de condensation en °C.
- Après quelques secondes, l'écran affiche à nouveau la température d'évaporation en °C.

**Menu des paramètres**

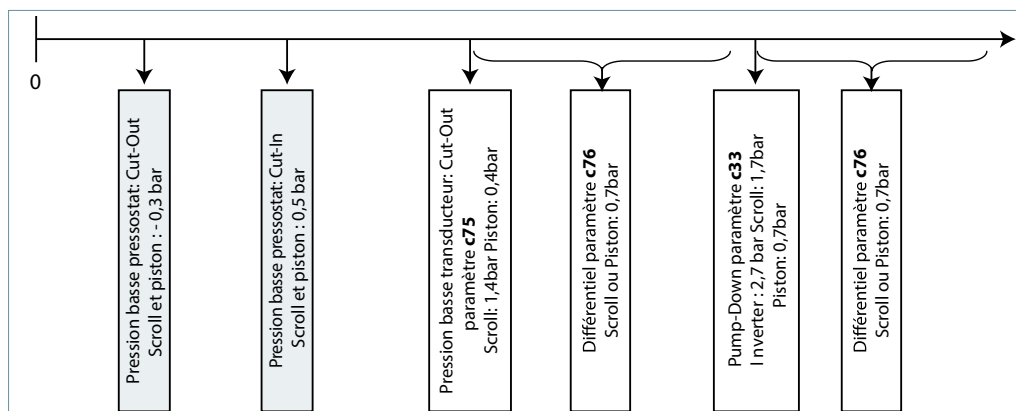
- Pour accéder au menu des paramètres, appuyez 5 secondes sur le bouton supérieur du contrôleur.
- Le premier paramètre du menu, le paramètre « r05 » s'affiche alors sur l'écran.
- Appuyez brièvement sur le bouton supérieur (ou inférieur) pour accéder au paramètre du menu suivant. Pour faire défiler rapidement les paramètres, appuyez longuement sur ces boutons.
- Appuyez brièvement sur le bouton du milieu pour afficher la valeur du paramètre sélectionné.
- Appuyez ensuite sur le bouton supérieur (ou inférieur) pour modifier la valeur du paramètre sélectionné. Appuyez longuement sur l'un de ces boutons pour modifier rapidement la valeur.
- La valeur est enregistrée après 20 secondes sans aucune action ou si vous appuyez brièvement sur le bouton du milieu.
- Si aucun bouton n'est actionné pendant 20 secondes, l'écran principal s'affiche à nouveau et indique la température d'évaporation en °C. Le menu des paramètres est à présent fermé, pour y revenir, appuyez à nouveau 5 secondes sur le bouton supérieur.

**Démarrage rapide de l'unité/  
Changement de réfrigérant**

- L'Optyma™ Plus nouvelle génération est préparamétré, en fonction du modèle de compresseur et du type de réfrigérant. Dans le cas d'un compresseur « multiréfrigérant », le contrôleur du groupe de condensation est configuré préréglé en usine conformément au tableau ci-dessous (voir le tableau à la page 3). Si ce réglage d'usine répond aux besoins de votre application, les paramètres du contrôleur n'ont pas à être modifiés.
- Pour changer de réfrigérant, accédez au menu des paramètres (appuyez sur le bouton supérieur pendant 5 secondes).
- Sélectionnez le paramètre « r12 » (sectionneur principal) en appuyant brièvement sur le bouton inférieur.
- Activez le paramètre « r12 » à l'aide du bouton du milieu et sélectionnez sa valeur sur 0 (zéro).
- Confirmez cette valeur en appuyant brièvement sur le bouton du milieu (les 3 LED se mettent alors à clignoter).
- Accédez au paramètre « o30 » (Réfrigérant).
- Définir la valeur : 3 (R134a), 17 (R507), 20 (R407C), 19 (R404A), 21 (R407A), 37 (R407F), 40 (R448A), 41 (R449A), 42 (R452A), 13 (R513A)
- Confirmez cette valeur en appuyant brièvement sur le bouton du milieu.
- Sélectionnez à nouveau le paramètre « r12 ».
- Sélectionnez sa valeur sur 1 (un).
- Confirmez cette valeur en appuyant brièvement sur le bouton du milieu (les 3 LED s'arrêtent alors de clignoter et le groupe de condensation démarre si nécessaire).
- Après 20 secondes, l'écran affiche à nouveau la température d'évaporation en °C, le réfrigérant et tous les paramètres liés à ce réfrigérant sont modifiés.

**Fonction «pump-down»**

- Une valeur limite du « pump-down » peut être activée à l'aide du paramètre c33.
- La valeur de ce paramètre devra être supérieure à celle du paramètre c75 (valeur limite de la coupure sécurité BP), pour éviter une alarme basse pression indésirable.


**Fonction Jour/Nuit**

Dans certains endroits, il peut être nécessaire de réduire le niveau sonore durant la nuit. Pour ce faire, vous pouvez utiliser la fonction « Jour/Nuit » du contrôleur Optyma™ Plus qui limite la vitesse du ventilateur pour toutes les unités et la vitesse du compresseur des unités INVERTER. Pour activer cette fonction, effectuez les étapes suivantes...

- Activez le menu des paramètres (appuyez sur le bouton supérieur pendant au moins 5 secondes).
- Sélectionnez le paramètre « r13 », décalage nocturne (le décalage de température est lié au point de consigne de la température de condensation en journée, qui est défini par le paramètre « r29 »).
- Appuyez sur le bouton du milieu et définissez la valeur de votre choix, p. ex. 005 pour 5K.
- Confirmez cette valeur en appuyant brièvement sur le bouton du milieu. Répétez cette procédure pour les autres paramètres à définir pour la fonction « Jour/Nuit »...
- Sélectionnez et réglez le paramètre « t17 » Démarrage jour (heure), p. ex. 006 pour 06 h 00
- Sélectionnez et réglez le paramètre « t18 » Démarrage nuit (heure), p. ex. 022 pour 22 h 00
- Sélectionnez et réglez le paramètre « t07 » Réglage de l'horloge (heure), p. ex. 011 pour 11 h xx
- Sélectionnez et réglez le paramètre « t08 » Réglage de l'horloge (minutes), p. ex. 035 pour 11 h 35
- Sélectionnez et réglez le paramètre « t45 » Réglage de l'horloge (jour), p. ex. 010 pour le 10/xx/xx
- Sélectionnez et réglez le paramètre « t46 » Réglage de l'horloge (mois), p. ex. 004 pour le 10/04/xx
- Sélectionnez et réglez le paramètre « t47 » Réglage de l'horloge (année), p. ex. 012 pour le 10/04/12
- Pour enregistrer ces valeurs, appuyez sur le bouton du milieu ou n'appuyez sur aucun bouton pendant 20 secondes

**Service et maintenance**
**Écran du contrôleur - Affichage «permanent»**

(Températures d'évaporation et de condensation, différence de température de point de consigne)

- Le contrôleur affiche la température d'évaporation en °C (écran principal).
- Il indique la température de condensation mesurée en °C lorsque vous appuyez brièvement sur le bouton inférieur.
- Lorsque vous appuyez brièvement sur le bouton du milieu, le point de consigne de différence de température entre les températures de condensation et ambiante s'affiche et peut être directement modifié en appuyant sur le bouton supérieur ou inférieur.
- Au bout de quelques secondes, l'afficheur revient sur la température d'évaporation en °C.

**Visualisation des paramètres de fonctionnement**

- Les conditions de fonctionnement du groupe de condensation peuvent être affichées dans le menu des paramètres en sélectionnant les paramètres « U »...voir les exemples ci-dessous.
- |     |                                                 |
|-----|-------------------------------------------------|
| U01 | Pression de condensation                        |
| U10 | État de DI1 (thermostat d'ambiance)             |
| U21 | Surchauffe                                      |
| u37 | État de DI2 (alarme convertisseur de fréquence) |
| u52 | Puissance du compresseur                        |
| U22 | Température de condensation                     |
| U23 | Pression d'évaporation                          |
| U24 | Température d'évaporation                       |
| U25 | Température ambiante                            |
| U26 | Température de refoulement                      |
| U27 | Température d'aspiration                        |
| U44 | Tension sur A01                                 |
| U56 | Tension sur A02                                 |

**Alarmes et messages d'erreur**

- En cas de « dysfonctionnement » de l'installation, 3 petites LED, au niveau de l'écran du contrôleur, se mettent à clignoter. Pour accéder au code «Erreur», appuyez sur le bouton supérieur. Voici quelques exemples:

A2	Alarme BP – Pression d'aspiration trop basse
A17	Alarme BP ou HP (Mécanique)
A96	Alarme température de reflux trop élevée
A97	Alarme entrée digitale (DI2 : alarme convertisseur de fréquence)
E20	Incident sur capteur de pression HP
E31	Incident sur la sonde d'ambiance S2
E32	Incident sur la sonde température de reflux S3
E33	Incident sur la sonde température d'aspiration S4
E39	Incident sur capteur de pression BP

**Dépannage****Défaillance du contrôleur**

(En cas de défaillance du contrôleur, il est possible de faire fonctionner le groupe de condensation en mode « manuel », moyennant quelques adaptations mineures. Pour ce faire, effectuez la procédure suivante.)

**Unités à vitesse fixe :**

voir schémas électriques page 4.

- Déconnectez l'alimentation électrique du groupe de condensation (coupez le sectionneur principal).
  - Raccordez directement le fil de la borne 22 (entrée de sécurité DI3) à la borne 25 du contrôleur (thermostat d'ambiance DI1).
  - Raccordez directement le fil de la borne 24 (thermostat d'ambiance DI1) à la borne 11 du contrôleur (alimentation du compresseur)
  - Retirez le fil 6\* et raccordez-le aux fils 11 et 24 à l'aide d'un raccord de borne.
  - Raccordez le fil de la borne 14 (résistance de carter) à la borne 22 du contacteur du compresseur K2.
  - Retirez le fil de la borne 12 du contrôleur (alimentation de la résistance de carter), allongez ce fil de 40 cm environ et connectez-le à la borne 21 du contacteur du compresseur K2.
- Attention : retirez du contrôleur le large bloc de raccords\*\*\* ou retirez le contrôleur dans son ensemble.
- Remettez sous tension le groupe de condensation (allumez le sectionneur principal)

**Unités de vitesse variable :**

voir schémas électriques page 5.

- Déconnectez l'alimentation électrique du groupe de condensation (coupez le sectionneur principal).
  - Raccordez directement le fil de la borne 22 du contrôleur (entrée de sécurité) à la borne 6\* (ventilateur).
  - Raccordez directement le fil de la borne 10 du contrôleur (relais du compresseur) à la borne 24 (thermostat d'ambiance).
  - Raccordez directement le fil de la borne 11 du contrôleur (relais du compresseur) à la borne 25 (thermostat d'ambiance).
  - Raccordez le fil de la borne 50 de l'inverter à la borne 3 du potentiomètre.
  - Raccordez le fil de la borne 53 de l'inverter à la borne 2 du potentiomètre.
  - Raccordez le fil de la borne 55 de l'inverter à la borne 1 du potentiomètre.
  - Raccordez le fil de la borne 14 (résistance de carter) à la borne 22 du contacteur du compresseur K1.
  - Retirez le fil de la borne 12 du contrôleur (alimentation de la résistance de carter), allongez ce fil de 40 cm environ et connectez-le à la borne 21 du contacteur du compresseur K1.
- Attention : retirez du contrôleur le large bloc de raccords\*\*\* ou retirez le contrôleur dans son ensemble.
- Remettez sous tension le groupe de condensation (allumez le sectionneur principal)

\*Option : il est possible de raccorder en série un pressostat ou un variateur de vitesse du ventilateur au fil n° 6

**Réinitialisation du paramétrage usine**

(vous pouvez restaurer tous les réglages d'usine en effectuant la procédure suivante)

- Coupez l'alimentation générale au niveau du sectionneur.
- Appuyez simultanément sur les boutons supérieur et inférieur du contrôleur, et réenclenchez le sectionneur tout en maintenant la pression sur les boutons supérieur et inférieur.
- Le message « FAC » (pour FACTORY RESET) s'affiche, ce qui signifie que la réinitialisation des réglages d'usine est lancée.
- Après quelques instants, le message « typ » s'affiche à l'écran.
- Avec le menu déroulant accédez, au paramètre o61 (type de groupe).
- Saisissez une valeur comprise entre 1 et 57 en fonction du type de groupe de condensation (voir le tableau 1 à la page 3).
- Validez le paramètre saisi en appuyant sur le bouton du milieu du contrôleur.
- Après 15 secondes sans aucune action, le message « ref » s'affiche à l'écran.
- Avec le menu déroulant, accédez au paramètre o30 (réfrigérant).
- Définissez sa valeur sur 3 (pour le fluide frigorigène R134a), 17(R507), 20(R407C), 19(R404A), 21(R407A), 37(R407F), 40(R448A), 41(R449A), 42(R452A) ou 13 (R513A).

Pour les unités de l'INVERTER uniquement :

- Régler le paramètre c71 à 2 (compresseur à vitesse variable)
- Régler le paramètre o37 à 7 (alarme convertisseur de fréquence sur DI2)

- Validez le paramètre saisi en appuyant sur le bouton du milieu du contrôleur.
- Avec le menu déroulant, accédez au paramètre o67 (enregistrer les valeurs comme réglages d'usine).
- Sélectionnez sa valeur sur « ON » (activer).
- Validez le paramètre saisi en appuyant sur le bouton du milieu du contrôleur.
- Après 15 secondes sans aucune action, le message « OFF » (désactivé) s'affiche à l'écran.
- Avec le menu déroulant, accédez au paramètre r12 (sectionneur principal).
- Sélectionnez sa valeur sur 1 (démarrage du groupe de condensation en cas de demande de la part du contrôleur de chambre froide).
- La fonction « Jour/Nuit » doit également être reprogrammée (voir le chapitre Mise en service - Jour/Nuit - Fonction).

**Remplacement du contrôleur d'une unité sur site**

- Coupez l'alimentation générale au niveau du sectionneur.
- Retirez l'ancien contrôleur (retirez toutes les prises, les deux vis type I et le contrôleur).
- Câbler électriquement le nouveau contrôleur sur l'unité de condensation
- Mettez l'interrupteur d'alimentation principale sous tension
- Après quelques instants, le message « typ » s'affiche à l'écran.
- Suivez les étapes de la section précédente, à partir de la cinquième ligne.

pièce de rechange, code du contrôleur à l'unité : 118U3465

**Régulation****Régulation de la condensation**

- Le point de consigne de régulation de la température de condensation est égal à :
  - o Température Ambiante Extérieure + Delta T
  - o avec Delta T = 8.0K (paramétré en usine)
- Ce Delta T est accessible directement en exerçant une pression sur le bouton du milieu du contrôleur
- A ce stade, en appuyant sur le bouton du haut (ou du bas) la valeur « usine » (8.0K) est augmentée (bouton du haut) ou diminuée (bouton du bas) à chacune des impulsions exercées
- De plus, la possibilité est offerte de limiter cette variation du point de consigne en agissant sur les paramètres « r82 » et « r83 » du menu déroulant
  - « r82 » = température de condensation minimale (réglage d'usine : 10,0 °C)
  - « r83 » = température de condensation maximale (réglage d'usine : 40,0 °C)

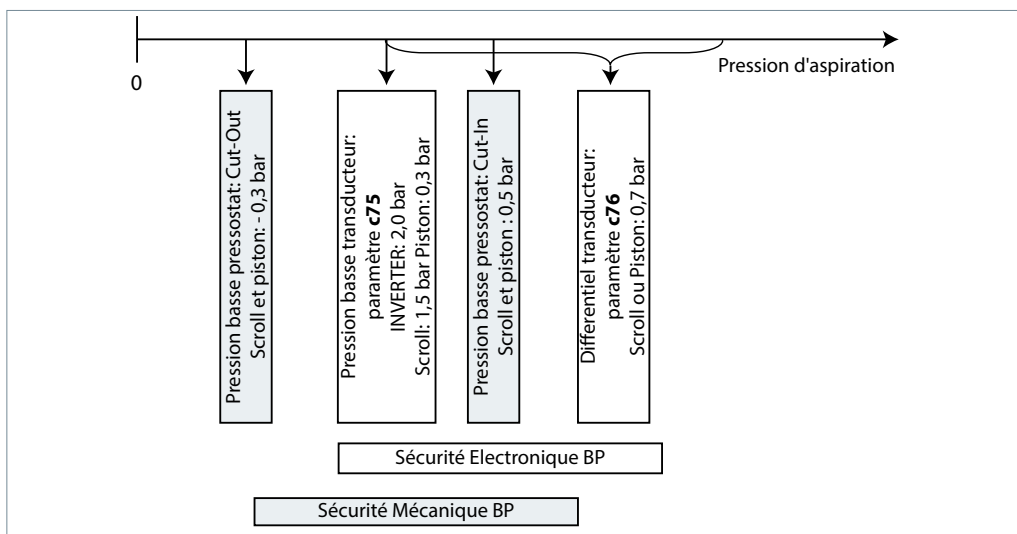
**Régulation de la résistance de carter**

- Le contrôleur, de par les paramètres rentrés en usine, assure une optimisation de la régulation de la résistance de carter (temps de fonctionnement et puissance de chauffe)
- Aucune modification des paramètres « P45 », « P46 » et « P47 » n'est à prévoir sur site.

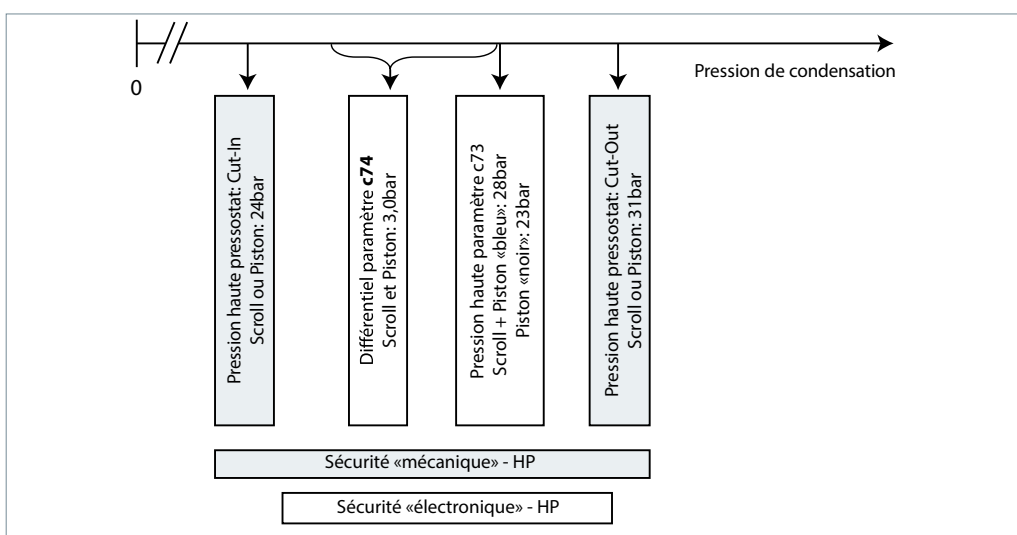
**Régulation de la vitesse de rotation du ventilateur**

- Le contrôleur, de par les paramètres rentrés en usine, assure une optimisation de la régulation de la vitesse de rotation du ventilateur.
- Aucune modification des paramètres « F14 » et « F21 » n'est à prévoir sur site.

**Paramétrage de sécurité côté « basse pression » pour le R448A / R449A / R452A**



**Paramétrage de sécurité côté « haute pression » pour le R448A / R449A / R452A**



**Innehåll**

<b>Idriftsättning .....</b>	<b>31</b>
Elektriska installationer.....	31
Huvuddisplay (efter regulatorstart) .....	31
Parametermeny .....	31
Snabbstart av aggregatet/Byte av köldmedium.....	31
Pump down funktion .....	32
Dag/natt-funktion.....	32
<b>Service och underhåll .....</b>	<b>32</b>
Huvuddisplay .....	32
Driftparametrar.....	32
Larm- och felmeddelanden .....	33
<b>Reparation .....</b>	<b>33</b>
Regulatorfel.....	33
Återställa fabriksinställningarna .....	34
Byte av regulator på aggregat på plats .....	34
<b>Reglering.....</b>	<b>34</b>
Reglering av kondenseringstryck .....	34
Reglering av vevhusvärmare .....	34
Styrning av fläktvarvtal.....	34
Säkerhetsparameter "Lågt tryck" .....	35
Säkerhetsparameter "Högt tryck".....	35



**Idriftsättning**
**Elektriska installationer**

- Arrangera elektriska anslutningar enligt tabellen nedan
- Ta tillfälligt bort brygga DI1 (plint 24 – 25 i regulatorn) för att få tillgång till regulatorns parametrar och värden utan att starta det luftkylda aggregatet

Rumstermostatreglering utan pump down funktion	Pump down reglering med fabriksmonterad lågtryckstransmitter
<ul style="list-style-type: none"> <li>- Anslut rumstermostat till dessa plintar</li> <li>- Anslut strömtillförsel till huvudbrytaren enligt kopplingsschemat på den främre luckans insida</li> </ul>	<ul style="list-style-type: none"> <li>- Anslut strömtillförsel till huvudbrytaren enligt kopplingsschemat på den främre luckans insida</li> <li>- Öka inställningen av regulator par. c33 (pump down cut-out värde): t.ex. Kolv: 0,7 bar t.ex. Scroll: 1,7 bar Obs! För att undvika lågtryckslarm ska inställningen av c33 och r23 (för INVERTER) vara högre än c75</li> </ul>

**Huvuddisplay (efter regulatorstart)**

- Regulatorns skärm visar förångningstemperaturen i °C
- Tryck kort på regulatorns nedre knapp för att visa kondenseringstemperaturen i °C
- Efter några sekunder återgår displayen till förångningstemperaturen i °C

**Parametermeny**

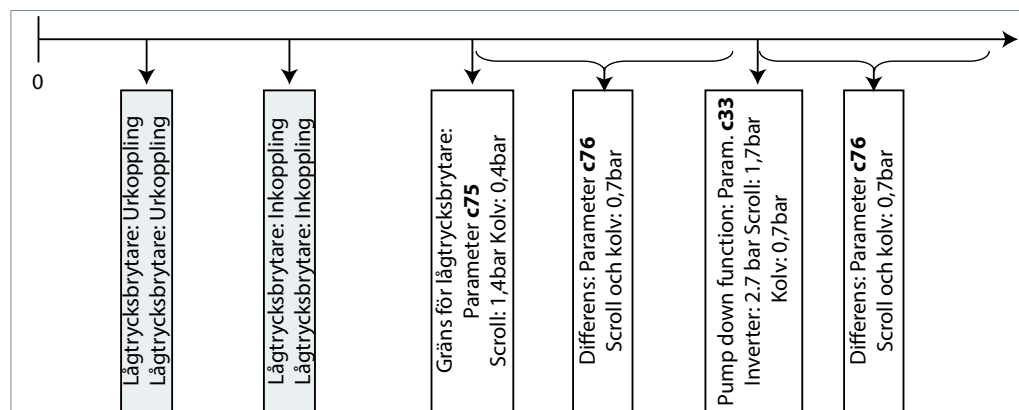
- Håll ned regulatorns övre knapp i 5 sekunder för att få tillgång till parametermenyn
  - Den första parametern "r05" i parametermenyn visas på displayen
  - Tryck kort på den övre (eller nedre) knappen för att gå till nästa parameter i parametermenyn.
- Bläddra snabbt genom parametrarna genom att hålla ned knapparna längre
- Tryck kort på mittknappen för att visa värdet på den valda parametern
  - Tryck därefter på den övre (eller nedre) knappen för att ändra värdet på den valda parametern. Håller du ned knapparna längre ändras värdet snabbt
  - Värdet sparas efter ett kort tryck på mittknappen
  - Om ingen knapp trycks ned under 20 sekunder återgår displayen till huvudskärmen med förångningstemperaturen i °C. Parametermenyn är nu stäng. Gå tillbaka till parametermenyn genom att hålla ned den övre knappen igen i 5 sekunder ...

**Snabbstart av aggregatet/Byte av köldmedium**

- Optyma Plus™ New Generation är förinställt beroende på kompressormodell och typ av köldmedium. När det gäller en kompressor med flera kylmedel är kondensorens styrenhet fabriksinställd enligt ovanstående tabell (se tabell på sidan 3). Om denna fabriksinställning passar kraven för din applikation behöver inga regulatorparametrar ändras.
- För att byta köldmedium går du in i parametermenyn (håll ned den övre knappen i 5 sekunder)
- Välj parameter "r12" (huvudbrytare) genom att trycka kort på den nedre knappen
- Aktivera parameter "r12" med mittknappen och ändra värdet till 0 (noll)
- Bekräfta värdet med ett kort tryck på mittknappen (de 3 lysdioderna börjar blinka)
- Gå till parameter "o30" (köldmedium)
- Ändra värdet till 3 (står för R134a), 17 (R507), 20 (R407C), 19 (R404A), 21 (R407A), 37 (R407F), 40 (R448A), 41 (R449A), 42 (R452A), 13 (R513A)
- Bekräfta värdet med ett kort tryck på mittknappen
- Välj parameter "r12" igen
- Ändra värdet till 1 (ett)
- Bekräfta värdet med ett kort tryck på mittknappen (de 3 lysdioderna slutar blinka och det luftkylda aggregatet startar vid behov)
- Efter 20 sekunder återgår displayen till förångningstemperaturen i °C och det nya köldmediumet och alla relevanta parametrar ändras

**Pump down funktion**

- En pump down gräns kan aktiveras med inställning av parameter c33
- För att undvika oönskade lågtryckslarm ska inställningen av denna parameter vara högre än lågtrycksbrytarens gränsparameter c75, ... ex. nedan

**Dag/natt-funktion**

I vissa områden kan det vara nödvändigt att minska ljudnivån nattetid. Det är möjligt med dag/natt-funktionen i regulatorn Optyma Plus™ som begränsar fläkthastigheten för samtliga aggregat och kompressor varvtal för INVERTER. Följ nedanstående steg för att aktivera. Följ nedanstående steg för att aktivera .

- Aktivera parametermenyn (håll ned den övre knappen i minst 5 sek.)
- Välj parameter "r13" Nattjustering (temperaturjustering relaterad till kondenseringstemperaturens börvärde för dagtid som är parameter "r29")
- Tryck på mittknappen och ställ in önskat värde, t.ex. 005 för 5 Kelvin
- Bekräfta värdet med ett kort tryck på mittknappen. Gör likadant med de nästa parametrarna som är nödvändiga för dag/natt-funktionen ...
- Välj och ställ in parameter "t17" Dagens start (timmar), t.ex. 006 för 06:00
- Välj och ställ in parameter "t18" Nattens start (timmar), t.ex. 022 för 22:00
- Välj och ställ in parameter "t07" Klockinställning (timmar), t.ex. 011 för 11:xx
- Välj och ställ in parameter "t08" Klockinställning (minuter), t.ex. 035 för 11:35
- Välj och ställ in parameter "t45" Klockinställning (dag), t.ex. 010 för 10.xx.xx
- Välj och ställ in parameter "t46" Klockinställning (månad), t.ex. 004 för 10.04.xx
- Välj och ställ in parameter "t47" Klockinställning (år), t.ex. 012 för 10.04.12
- Alla värden lagras med mittknappen eller efter 20 sekunder om ingen knapp trycks ned

**Service och underhåll****Hovedvisning**

(Förångnings- och kondenseringstemperatur, Börvärde för temperaturskillnad)

- Regulatorn visar förångningstemperaturen i °C (huvudskärmen)
- Den visar avläsningen för kondenseringstemperaturen i °C när den nedre knappen trycks in kort
- Genom att trycka kort på mittknappen visas börvärdet för temperaturskillnaden mellan kondensering- och omgivningstemperaturen. Börvärdet kan modifieras här direkt genom att trycka på den övre eller nedre knappen.
- Displayen återgår till huvudskärmen efter några sekunder om knapparna inte används

**Driftparametrar**

• Driftförhållanden för det luftkylda aggregatet kan visas i parametermenyn genom att välja parametrarna "U" ... nedan visas några exempel

u01	Kondenseringstryck
u10	Status på DI1 (rumstermostat)
u21	Överhettning
u37	Status för DI2 (Frekvensomformare larm)
u52	Kompressor kapacitet
U22	Kondenseringstemperatur
U23	Förångningstryck
U24	Förångningstemperatur
U25	Omgivningstemperatur
U26	Hetgastemperatur
U27	Sugtemperatur
U44	Spänning AO1
U56	Spänning AO2

**Larm- och felmeddelanden**

• Vid "fel" blinkar 3 små lysdiodsymboler på regulatorskärmen. Kvittera med ett kort tryck på den övre knappen. Här följer några exempel...

A2	Larm för lågt sugtryck
A17	Larm för säkerhetsingång (DI3: högt kondenseringstryck/lågt sugtryck)
A96	Hetgastemperatur är hög
A97	Larm digital ingång (DI2: Frekvensomformare larm)
E20	Fel på transmitter för kondenseringstryck
E31	Fel på givare för omgivningstemperatur
E32	Fel på givare för hetgastemperatur
E33	Fel på givare för suggastemperatur
E39	Fel på transmitter för förångningstryck

**Reparation****Regulatorfel**

(om regulatören upphör att fungera finns det en möjlighet att köra det luftkylda aggregatet i "manuellt" läge. Fortsätt enligt följande)

**Enheter med fast varvtal:**

Se kopplingsscheman på s. 4.

- Koppla från det luftkylda aggregatet från strömtillförseln (stäng av den med huvudbrytaren)
  - Ta bort kabeln från regulatorplint 22 (säkerhetsingång DI3) och plint 25 (rumstermostat DI1) och koppla samman dem
  - Ta bort kabeln från regulatorplint 24 (rumstermostat DI1) och plint 11 (strömtillförsel för kompressor) och koppla samman dem
  - Ta bort kabel 6\* och anslut den med plintbygel för kabel 11 och 24.
  - Ta bort kabeln från regulatorplint 14 (vevhusvärmare) och anslut den till kompressorkontaktor K2, plint 22
  - Ta bort kabeln från regulatorplint 12 (strömtillförsel för vevhusvärmare), förläng den med ungefär 40 cm och anslut den till kompressorkontaktor K2, plint 21
- Observera: Ta bort det stora plint blocket från regulatören eller ta bort hela regulatören
- Återanslut det luftkylda aggregatet till strömtillförseln (slå på huvudbrytaren)

**INVERTER:**

Se kopplingsscheman på s. 5.

- Koppla från det luftkylda aggregatet från strömtillförseln (stäng av den med huvudbrytaren)
  - Ta bort kabeln från regulatorplint 22 (säkerhetsingång DI3) och plint 6\* (fläkt) och koppla samman dem
  - Ta bort kabeln från regulatorplint 10 (Kompressor relä) och plint 24 (rumstermostat DI1) och koppla samman dem
  - Ta bort kabeln från regulatorplint 11 (Kompressor relä) och plint 25 (rumstermostat DI1) och koppla samman dem
  - Ta bort kabel från inverterplint 50 och anslut till potentiometer plint 3
  - Ta bort kabel från inverterplint 53 och anslut till potentiometer plint 2
  - Ta bort kabel från inverterplint 55 och anslut till potentiometer plint 1
  - Ta bort kabeln från regulatorplint 14 (vevhusvärmare) och anslut den till kompressorkontaktor K1, plint 22
  - Ta bort kabeln från regulatorplint 12 (strömtillförsel för vevhusvärmare), förläng den med ungefär 40 cm och anslut den till kompressorkontaktor K1, plint 21
- Observera: Ta bort det stora plint blocket från regulatören eller ta bort hela regulatören
- Återanslut det luftkylda aggregatet till strömtillförseln (slå på huvudbrytaren)

\*Option En pressostat eller varvtalsregulator för fläkten kan anslutas i serie med kabel 6

**Återställa fabriksinställningarna**

(alla fabriksinställda parametrar kan återställas med följande procedur)

- Stäng AV huvudströmbrytaren
- Håll samtidigt ned upp- och nedknappen och slå PÅ huvudströmbrytaren
- Meddelandet "FAC" visas, vilket betyder "FACTORY RESET", och fabriksinställningarna återställs
- Efter en kort stund visas meddelandet "typ" på skärmen
- Aktivera parametermenyn och gå till parameter o61 (aggregattyp)
- Ange värde 1 till 42 beroende på typen av luftkylt aggregat (se tabell 1 på sidan 3)
- Lagra det angivna värdet genom att trycka på regulatorns mittknapp
- Efter 15 sekunder utan åtgärd visas meddelandet "ref" på skärmen
- Aktivera parametermenyn och gå till parameter o30 (köldmedium)
- Ändra värdet till 3 (står för köldmedium R134a), 17 (R507), 20 (R407C), 19 (R404A), 21 (R407A), 37 (R407F), 40 (R448A), 41 (R449A), 42 (R452A) eller 13 (R513A)

Endast för INVERTER:

- Välj och ställ in parameter c71 till 2 (varvtalsreglerad kompressor)
- Välj och ställ in parameter o37 till 7 (larm från frekvensomformare på DI2)
- Lagra det angivna värdet genom att trycka på regulatorns mittknapp
- Gå till parameter o67 (lagra värden som fabriksinställning)
- Ändra värdet till "on"
- Validera den angivna parametern genom att trycka på regulatorns mittknapp
- Efter 15 sekunder utan åtgärd visas meddelandet "OFF" på skärmen
- Aktivera parametermenyn och gå till parameter r12 (huvudbrytare)
- Ändra värdet till 1 (det luftkylda aggregatet startar om regulatorn för kylrummet har ett kylbehov)
- Dag/natt-funktionen måste också programmeras om (se kapitlet Idriftsättning – Dag/natt-funktion)

**Byte av regulator på aggregat på plats**

- Stäng AV huvudströmbrytaren
- Ta bort den nya regulatorn (ta bort alla pluggar, 2 x I-typskruvar och regulator)
- Installera den nya regulatorn
- Slå PÅ huvudströmbrytaren igen. Ingen återställning av fabriksinställningarna behövs
- Efter en kort stund visas meddelandet "typ" på skärmen
- Följ samma steg som visas i föregående kapitel, från femte raden och framåt  
reservdelskod för regulator i enkelpack: 118U3465

**Reglering****Reglering av kondenseringsstryck**

- Börvärdet för kondenseringstemperaturen beräknas från den uppmätta omgivningstemperaturen plus en justerbar Temperaturjustering (kallad Referens) och styrs av fläkthastigheten
- Fabriksinställning för Referens = 8,0 K
- Referensen kommer du åt genom att trycka kort på regulatorns mittknapp
- När Referensen visas kan den modifieras med det övre eller nedre knappen
- Förutom detta kan regleringen av kondenseringstemperaturen begränsas av följande parametrar:
  - "r82" = lägsta kondenseringstemperatur (fabriksinställning: 10,0 °C)
  - "r83" = högsta kondenseringstemperatur (fabriksinställning: 40,0 °C)

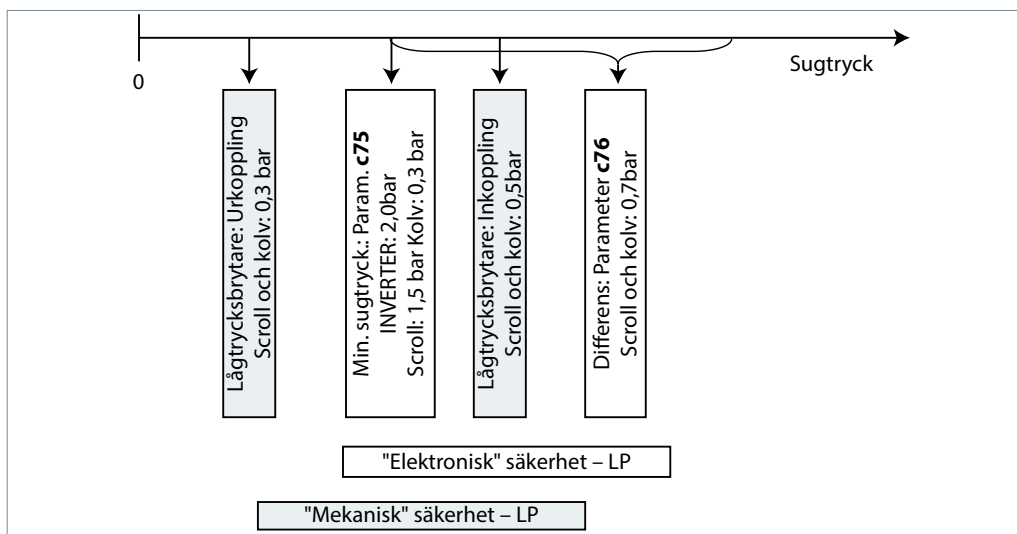
**Reglering av vevhusvärmare**

- Regulatorn optimerar själv regleringen av vevhusvärmaren. Värmeeffekten beror på omgivningstemperaturen och sugtrycket och styrs med pulsbreddsmodulering
- Parametrarna "P45", "P46" och "P47" behöver inte ändras på plats

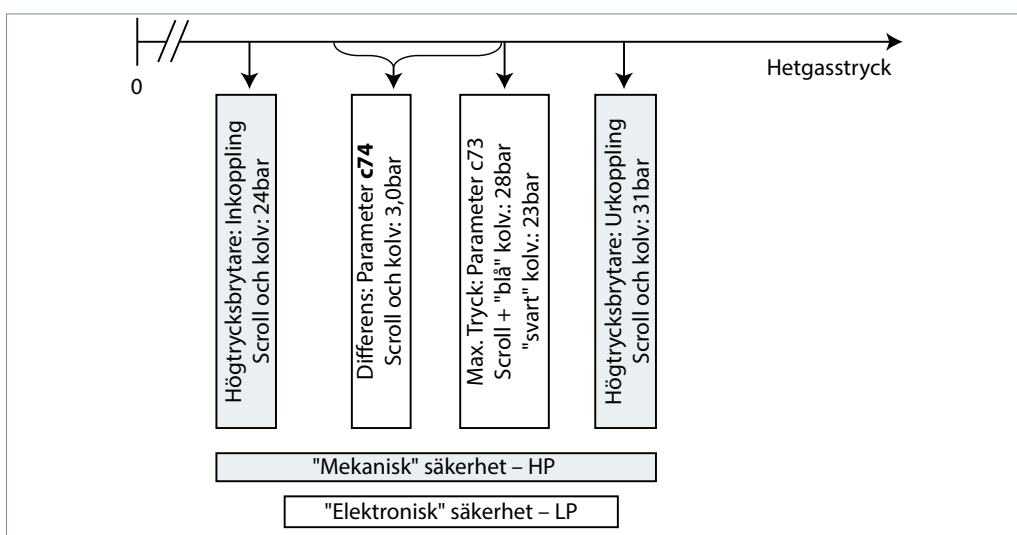
**Styrning av fläktvarvtal**

- Fläkthastigheten styrs av PI-reglering och beror på det aktuella värdet och börvärdet för kondenseringstemperaturen
- Parametrarna "F14" och "F21" ska inte ändras på plats

Säkerhetsparameter "Lågt tryck" för R448A / R449A / R452A



Säkerhetsparameter "Högt tryck" för R448A / R449A / R452A







# Danfoss Commercial Compressors

is a worldwide manufacturer of compressors and condensing units for refrigeration and HVAC applications. With a wide range of high quality and innovative products we help your company to find the best possible energy efficient solution that respects the environment and reduces total life cycle costs.

We have 40 years of experience within the development of hermetic compressors which has brought us amongst the global leaders in our business, and positioned us as distinct variable speed technology specialists. Today we operate from engineering and manufacturing facilities spanning across three continents.



Our products can be found in a variety of applications such as rooftops, chillers, residential air conditioners, heatpumps, coldrooms, supermarkets, milk tank cooling and industrial cooling processes.

[cc.danfoss.com](http://cc.danfoss.com)

Danfoss Commercial Compressors, BP 331, 01603 Trévoux Cedex, France | +334 74 00 28 29



Danfoss can accept no responsibility for possible errors in catalogues, brochures and other printed material. Danfoss reserves the right to alter its products without notice. This also applies to products already on order provided that such alterations can be made without subsequential changes being necessary in specifications already agreed. All trademarks in this material are property of the respective companies. Danfoss and the Danfoss logotype are trademarks of Danfoss A/S. All rights reserved.