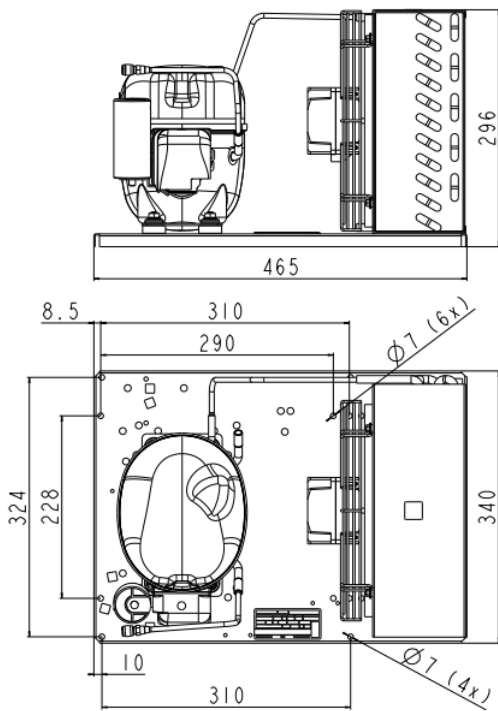


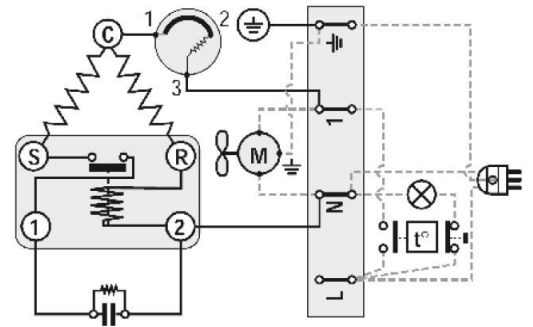
GENERAL DATA

Application:	M/HBP
Refrigerant:	R290
Expansion Device:	C-V
Weight:	20 kg
Receiver:	0 liter
Voltage/Frequency:	220 - 240 V 50 ~
Height:	20 mm
Length:	465 mm
Width:	340 mm
Institute Approvals:	CE

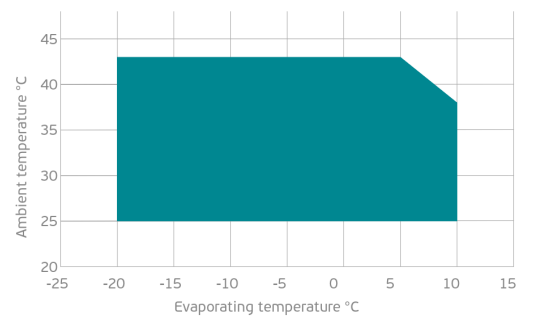
EXTERNAL DIMENSIONS



WIRING DIAGRAM



OPERATING ENVELOPE



COMPONENTS (SPARE PARTS)

condenser:	3R11T	2451206	fankit:	IQ3612 254/28°/5P	1996703
compressor:	NEK6213U	863CA51..AM	elkit:	ELKOM NEK6213U	863CA51N1A

For additional accessories please contact our technical support

ELECTRICAL DATA

Motor Type: CSIR -
Locked Rotor Amperage (RLA): 19.3 A
Max.Current: 4.44 A

At maximum evaporating temperature and maximum ambient temperature.

FAN MOTOR

Number: 1 -
Shaft Power: - W
Air Flow: 595 m³/hod
Blade Diameter: 254 mm

PERFORMANCE CURVE DATA

Standard: EN13215-RG20 / return gas 20°C, subcooling 3K

50 Hz

	Evaporating Temperature (°C)	Cooling Capacity (W)	Power Consumption (W)	Current Consumption (A)	Efficiency (W/W)
25°C Ambient Temperature	10°C	1 789	799	4.88	2.24
	5°C	1 577	690	4.66	2.29
	0°C	1 369	622	4.46	2.20
	-5°C	1 172	582	4.29	2.01
	Rated point -10°C	990	558	4.13	1.77
	-15°C	828	535	4.00	1.55
	-20°C	691	501	3.88	1.38
32°C Ambient Temperature	10°C	1 626	827	5.04	1.97
	5°C	1 434	711	4.80	2.02
	0°C	1 245	639	4.60	1.95
	-5°C	1 065	596	4.42	1.79
	Rated point -10°C	899	571	4.26	1.57
	-15°C	752	550	4.12	1.37
	-20°C	628	520	4.00	1.21
43°C Ambient Temperature	5°C	1 220	772	5.10	1.58
	0°C	1 060	687	4.88	1.54
	-5°C	906	635	4.69	1.43
	Rated point -10°C	764	604	4.52	1.26
	-15°C	638	580	4.37	1.10
	-20°C	534	550	4.24	0.97