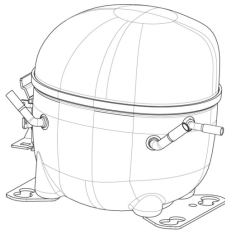


220-240V 50Hz 1~**GENERAL DATA****Application:** HBP**Refrigerant:** R134a**Evaporating Temperature Range:** -15°C to 10°C**Compressor Cooling:** Fan**Fan air flow:** 520 m³/h**Maximum Condensing Pressure - Operating:** 13.92 kgf/cm² (psig)**Maximum Condensing Pressure - Peak:** 15.62 kgf/cm² (psig)**Type:** Hermetic reciprocating**Technology Type:** On-Off**Expansion Device:** Capillary Tube or Expansion Valve**Packing Quantity:** Single - 1 pcApprovals:  **MECHANICAL DATA****Bore:** 24.28 mm**Stroke:** 18.12 mm**Free Internal Volume:** 2.1 l**Maximum Recommended Refrigerant Charge:** 350 ml**Weight:** 10.3 kg**ELECTRICAL DATA****Motor Type:** CSIR -**Starting Torque:** HST -**Maximum Motor Temperature:** 130 °C**Start Winding Resistance:** 28.9 Ω (± 10%) at 25°C**Run Winding Resistance:** 6.8 Ω (± 10%) at 25°C**Locked Rotor Amperage (RLA):** - A**MOUNTING ACCESSORIES**

	Description	Code
Cover:	yes	2075282
Grommets:	-	2221011
Sleeves:	-	2222018
Terminal:	yes	1027060
Overload Protector Bracket:	yes	2075299
Capacitor Bracket:	yes	2256008

ELECTRICAL COMPONENTS

	Component type	Description	Code
Start Capacitor:	-	43-53 MFD 330V	2252293
Motor Protection:	External 3/4"	T0186/G6	2319069
Starting Device:	Current relay	MTRPH-0026-59	2278047

EXTERNAL CHARACTERISTICS**Base Plate:** European**Tray Holder:** No**Height:** 188

	Internal Diameter (mm)	Material	Shape
Suction Connector	8.1	Copper	Slanted 42°
Discharge Connector	6.1	Copper	Straight
Process Connector	6.1	Copper	Slanted 42°



RATED POINT DATA

220-240V 50Hz

Cooling Capacity (w)	Power Consumption (W)	Current Consumption (A)	Gas Flow Rate	Efficiency (w/W)
	±5%	±5%	±5%	±7%
843	344	2.09	18.66	2.45

PERFORMANCE CURVE DATA

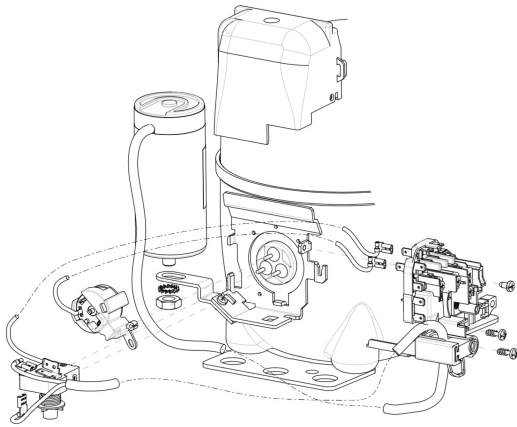
220-240V 50Hz

Condensing Temperature (°C)	Evaporating Temperature (°C)	Cooling Capacity (w)	Power Consumption (W)	Current Consumption (A)	Gas Flow Rate	Efficiency (w/W)
		±5%	±5%	±5%	±5%	±7%
35°C	10	1 192	278	1.86	22.53	4.30
	5	988	265	1.81	18.55	3.73
	0	809	251	1.77	15.11	3.23
	-5	655	235	1.72	12.18	2.79
	-10	527	218	1.67	9.75	2.42
	-15	423	200	1.62	7.81	2.12

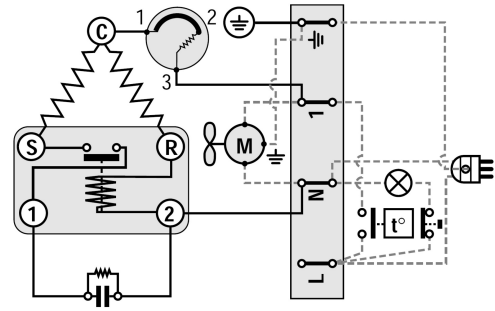
Condensing Temperature (°C)	Evaporating Temperature (°C)	Cooling Capacity (w)	Power Consumption (W)	Current Consumption (A)	Gas Flow Rate	Efficiency (w/W)
		±5%	±5%	±5%	±5%	±7%
45°C	10	1 056	316	2.00	21.59	3.34
	5	874	298	1.93	17.75	2.94
	0	714	278	1.86	14.42	2.57
	-5	576	257	1.78	11.58	2.24
	-10	461	235	1.71	9.22	1.96
	-15	367	211	1.63	7.31	1.74

Condensing Temperature (°C)	Evaporating Temperature (°C)	Cooling Capacity (w)	Power Consumption (W)	Current Consumption (A)	Gas Flow Rate	Efficiency (w/W)
		±5%	±5%	±5%	±5%	±7%
55°C	10	929	361	2.16	20.76	2.58
	5	768	335	2.06	17.04	2.29
	0	626	308	1.96	13.80	2.03
	-5	504	280	1.87	11.04	1.80
	-10	400	251	1.78	8.72	1.59

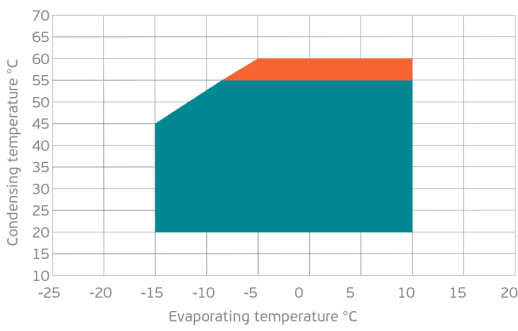
ASSEMBLY INSTRUCTION



WIRING DIAGRAM

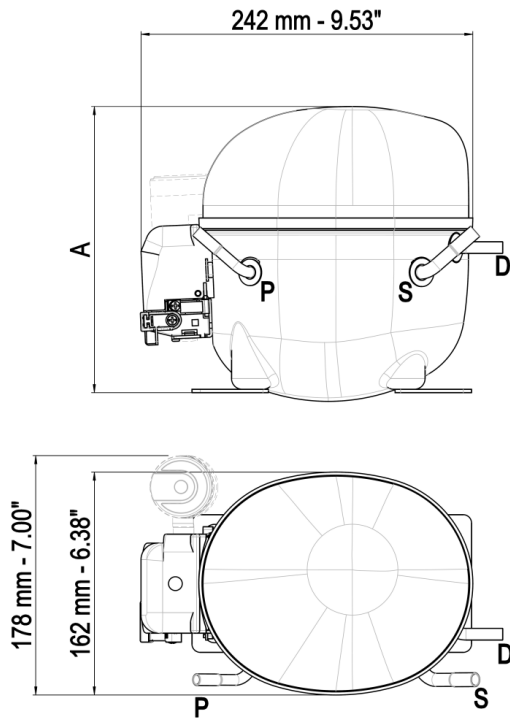


OPERATING ENVELOPE



- Operating Condition
- Transient Condition
- Superheating

NOTE: usage of compressors outside of intended working range cannot make use of the warranty, or should be consulted with Technical support.



DWG02	∅ mm	∅ in	material
S - Suction	6.10 - 6.20	0.24	Cu
P - Process	6.10 - 6.20	0.24	Cu
S - Discharge	4.86 - 5.02	3/16	Cu

DWG03	∅ mm	∅ in	material
S - Suction	8.10 - 8.20	0.32	Cu
P - Process	6.10 - 6.20	0.24	Cu
S - Discharge	6.10 - 6.20	0.24	Cu

