

220-240V 50 1~**GENERAL DATA****Application:** L/MBP**Refrigerant:** R134a**Evaporating Temperature Range:** -35°C to 5°C**Compressor Cooling:** Static**Type:** Hermetic reciprocating**Technology Type:** On-Off**Expansion Device:** Capillary Tube**Packing Quantity:** Single - 1 pc**Displacement:** 3.97 cm³**Horse power:** 1.10 hpApprovals:   **MECHANICAL DATA****Bore:** 19 mm**Stroke:** 14 mm**Oil Charge:** 150ml +/-15ml**Free Internal Volume:** 1.5 cm³**Maximum Recommended Refrigerant Charge:** 250 g**Oil Type Configuration:** Polyolester**Oil Type Viscosity:** ISO10**Compressor pressurization:** Light vacuum**Weight:** 7.42 kg**ELECTRICAL DATA****Motor Type:** RSIR**Starting Torque:** LST**Voltage working range at 50 Hz:** 198-254 V**Maximum Motor Temperature:** 130 °C**Start Winding Resistance:** 20.2 Ω (± 10%) at 25°C**Run Winding Resistance:** 30.8 Ω (± 10%) at 25°C**Locked Rotor Amperage (LRA):** 4 A**MOUNTING ACCESSORIES**

| | Description | Code |
|------------------------------------|-------------|---------|
| Terminal Board: | no | - |
| Overload Protector Bracket: | no | - |
| Capacitor Bracket: | no | - |
| Washer: | no | - |
| Pin: | no | - |
| Clip: | no | - |
| Rotolock valve: | no | - |
| Cover: | yes | 2075282 |
| Anchorage: | yes | 1027058 |
| Grommets: | yes | 2221011 |
| Sleeves: | yes | 2222018 |

ELECTRICAL COMPONENTS

| | Component type | Description | Code |
|--------------------------|----------------|-------------|---------|
| Starting Device: | PTC | PTC 230V | 1260011 |
| Motor Protection: | External 3/4" | AE64FS8 | 2288503 |

EXTERNAL CHARACTERISTICS**Base Plate:** European**Tray Holder:** Yes**Height:** 166 mm

| | Internal Diameter (mm) | Material | Shape |
|----------------------------|------------------------|----------|-------------|
| Suction Connector | 6.1 | Copper | Slanted 42° |
| Discharge Connector | 4.9 | Copper | Straight |
| Process Connector | 6.1 | Copper | Slanted 46° |



RATED POINT DATA

| Cooling Capacity (W) | Power Consumption (W) | Current Consumption (A) | Gas Flow Rate (kg/h) | Efficiency (W/W) |
|----------------------|-----------------------|-------------------------|----------------------|------------------|
| ±5% | ±5% | ±5% | ±5% | ±7% |
| 103 | 80 | 0.57 | 2.00 | 1.29 |

Test condition: ASHRAE, Static, Return Gas 32.2°C, Evaporating: -23.3°C, Condensing: 54°C, Ambient: 32.2°C, Liquid: 32.2°C

PERFORMANCE CURVE DATA

220V 50Hz

| Condensing Temperature (°C) | Evaporating Temperature (°C) | Cooling Capacity (W) | Power Consumption (W) | Current Consumption (A) | Gas Flow Rate (kg/h) | Efficiency (W/W) |
|-----------------------------|------------------------------|----------------------|-----------------------|-------------------------|----------------------|------------------|
| | | ±5% | ±5% | ±5% | ±5% | ±7% |
| 35°C | 5 | 444 | 139 | 0.85 | 8.81 | 3.21 |
| | 0 | 369 | 127 | 0.77 | 7.28 | 2.90 |
| | -5 | 301 | 116 | 0.70 | 5.92 | 2.60 |
| | -10 | 242 | 105 | 0.64 | 4.73 | 2.31 |
| | -15 | 190 | 94 | 0.60 | 3.70 | 2.02 |
| | -20 | 146 | 83 | 0.56 | 2.84 | 1.75 |
| | -25 | 111 | 73 | 0.54 | 2.14 | 1.51 |
| | -30 | 83 | 63 | 0.52 | 1.60 | 1.31 |
| | -35 | 63 | 53 | 0.50 | 1.21 | 1.17 |

| Condensing Temperature (°C) | Evaporating Temperature (°C) | Cooling Capacity (W) | Power Consumption (W) | Current Consumption (A) | Gas Flow Rate (kg/h) | Efficiency (W/W) |
|-----------------------------|------------------------------|----------------------|-----------------------|-------------------------|----------------------|------------------|
| | | ±5% | ±5% | ±5% | ±5% | ±7% |
| 45°C | 5 | 424 | 161 | 0.88 | 8.42 | 2.63 |
| | 0 | 351 | 145 | 0.79 | 6.93 | 2.43 |
| | -5 | 286 | 129 | 0.72 | 5.61 | 2.22 |
| | -10 | 228 | 114 | 0.66 | 4.46 | 2.00 |
| | -15 | 178 | 100 | 0.61 | 3.47 | 1.78 |
| | -20 | 136 | 87 | 0.58 | 2.63 | 1.56 |
| | -25 | 101 | 75 | 0.55 | 1.95 | 1.35 |
| | -30 | 74 | 64 | 0.53 | 1.42 | 1.15 |
| | -35 | 54 | 53 | 0.51 | 1.04 | 1.01 |

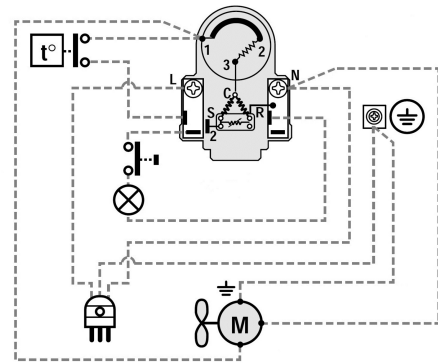
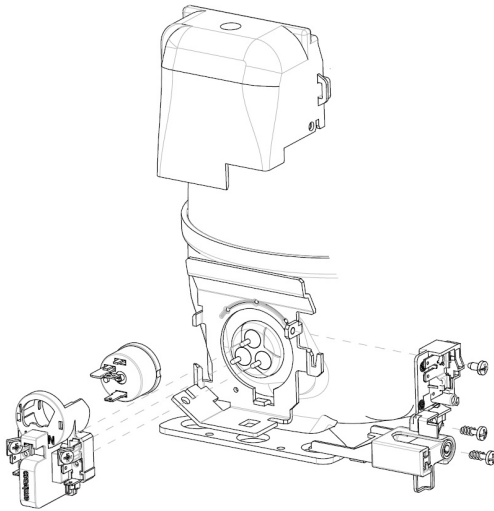
| Condensing Temperature (°C) | Evaporating Temperature (°C) | Cooling Capacity (W) | Power Consumption (W) | Current Consumption (A) | Gas Flow Rate (kg/h) | Efficiency (W/W) |
|-----------------------------|------------------------------|----------------------|-----------------------|-------------------------|----------------------|------------------|
| | | ±5% | ±5% | ±5% | ±5% | ±7% |
| 55°C | 5 | 399 | 183 | 0.95 | 7.92 | 2.18 |
| | 0 | 330 | 161 | 0.85 | 6.50 | 2.04 |
| | -5 | 267 | 141 | 0.77 | 5.25 | 1.90 |
| | -10 | 212 | 122 | 0.70 | 4.15 | 1.74 |

| Condensing Temperature (°C) | Evaporating Temperature (°C) | Cooling Capacity (W) | Power Consumption (W) | Current Consumption (A) | Gas Flow Rate (kg/h) | Efficiency (W/W) |
|-----------------------------|------------------------------|----------------------|-----------------------|-------------------------|----------------------|------------------|
| | | ±5% | ±5% | ±5% | ±5% | ±7% |
| 55°C | -15 | 165 | 105 | 0.64 | 3.21 | 1.57 |
| | -20 | 125 | 89 | 0.60 | 2.42 | 1.39 |
| | -25 | 92 | 75 | 0.56 | 1.78 | 1.22 |

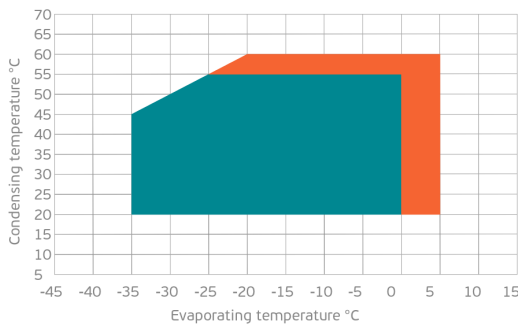
Test condition: ASHRAE, Static, Return Gas 32.2°C, Ambient: 32.2°C, Liquid: 32.2°C

ASSEMBLY INSTRUCTION

WIRING DIAGRAM

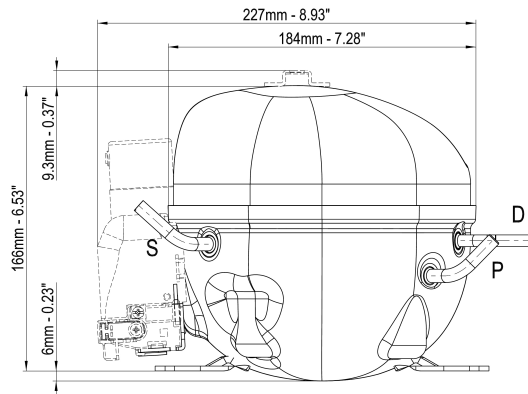


OPERATING ENVELOPE



- Operating Condition
- Transient Condition
- Superheating

NOTE: usage of compressors outside of intended working range cannot make use of the warranty, or should be consulted with Technical support.



| | ∅ mm | ∅ in | Material |
|----------------------|-------------|------|----------|
| S - Suction | 6.10 - 6.20 | 0.24 | Cu |
| P - Process | 6.10 - 6.20 | 0.24 | Cu |
| D - Discharge | 4.90 - 5.02 | 0.19 | Cu |

