

SC18F

Standard Compressor

R134a

220-240V 50Hz

Data Sheet (Replaces CD.44.B6.02)

General

Compressor	SC18F
Code number	104G8800
Code number compressor with oil cooler	104G8810

Application

Application	LBP*)	
Evaporating temperature range	°C	-35 to -5
Voltage range	V/Hz	198 - 254 /50
Motor type	CSIR	
Max. ambient temperature	°C	38
Comp. cooling at ambient temp.	32°C	O/F ₁
	38°C	O/F ₁

*) Can be used as a HBP compressor with 240V 50Hz mains (216-254V).

Design

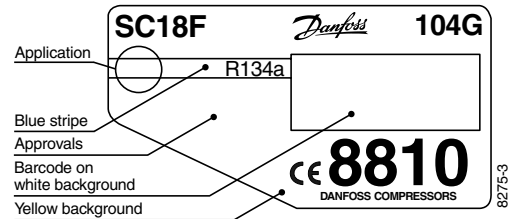
Displacement	cm ³	17.69
Oil quantity	cm ³	550 (500 on comp. with oil cooler)
Maximum refrigerant charge	g	1300
Free gas vol. in compressor	cm ³	1410
Weight without electrical equipment	kg	13.1

Motor

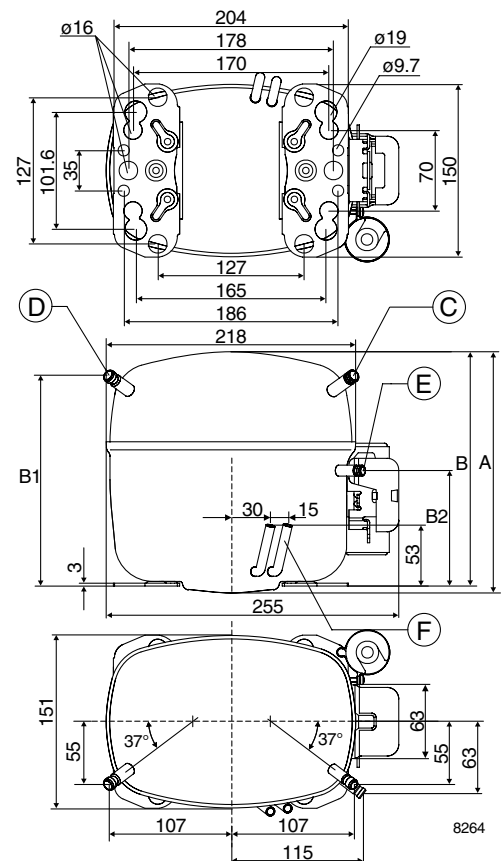
Motor size	watt	385
LRA (rated after 4 sec. UL984) HST	A	14.8
Cut-in current HST	A	14.8
Resistance, main and start winding (25°C)	Ω	5.0/13.7
Approvals	EN 60335-2-34	

Dimensions

Height	mm	A	209
		B	203
		B1	183
		B2	100
Suction connector	location/I.D. mm	C	10.2 ±0.09
Process connector	location/I.D. mm	D	6.2 ±0.09
Discharge connector	location/I.D. mm	E	6.2 ±0.09
Oil cooler	location/I.D. mm	F	6.2 ±0.09
Compressors on a pallet	pcs.	80	



- S = Static cooling normally sufficient
- O = Oil cooling
- F₁ = Fan cooling 1.5 m/s
(compressor compartment temperature equal to ambient temperature)
- F₂ = Fan cooling 3.0 m/s necessary



Capacity (EN 12900/CECOMAF)
watt

Comp. \ °C	-35	-30	-25	-23.3	-20	-15	-10	-5
SC18F	129	194	280	314	388	518	669	842

Capacity (ASHRAE)
watt

Comp. \ °C	-35	-30	-25	-23.3	-20	-15	-10	-5
SC18F	159	238	345	387	478	638	825	1039

Power consumption
watt

Comp. \ °C	-35	-30	-25	-23.3	-20	-15	-10	-5
SC18F	206	258	313	332	370	430	492	556

Current consumption
A

Comp. \ °C	-35	-30	-25	-23.3	-20	-15	-10	-5
SC18F	2.04	2.15	2.29	2.35	2.46	2.65	2.84	3.05

COP (EN 12900/CECOMAF)
W/W

Comp. \ °C	-35	-30	-25	-23.3	-20	-15	-10	-5
SC18F	0.63	0.75	0.90	0.95	1.05	1.20	1.36	1.51

COP (ASHRAE)
W/W

Comp. \ °C	-35	-30	-25	-23.3	-20	-15	-10	-5
SC18F	0.77	0.92	1.10	1.17	1.29	1.48	1.68	1.87

Test conditions

EN 12900/CECOMAF

ASHRAE

Condensing temperature

55°C

55°C

Ambient and suction gas temp.

32°C

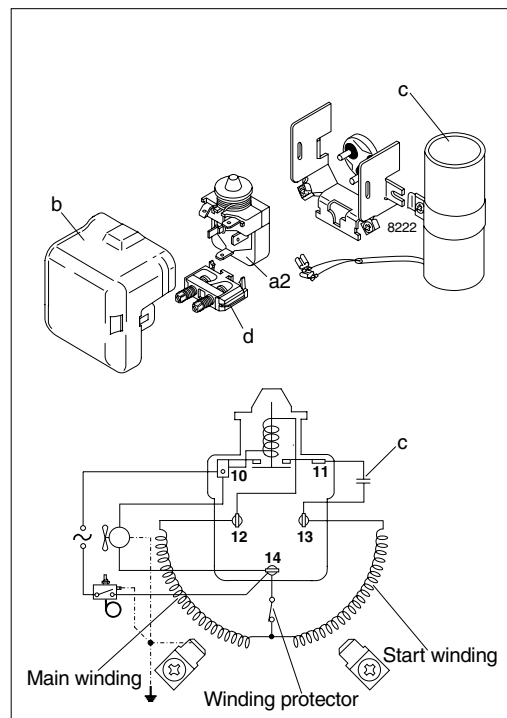
32°C

Liquid temperature

55°C

32°C

Fan cooling, 220V 50Hz


Accessories

Devices	Fig.	SC18F
Starting relay	a2	117U6005
Cover	b	103N2009
Starting capacitor 80 μF	c	117U5017
Cord relief	d	103N1004
Mounting accessories		
Bolt joint for one compressor		118-1917
Bolt joint in quantities		118-1918
Snap-on in quantities		118-1919