

Application guidelines

Danfoss Scroll for Refrigeration **MLZ Evolution A** **(with POE Oil)**

50-60 Hz - R404A - R507 - R134a - R22 - R407A - R407F - R448A - R449A - R452A - R513A

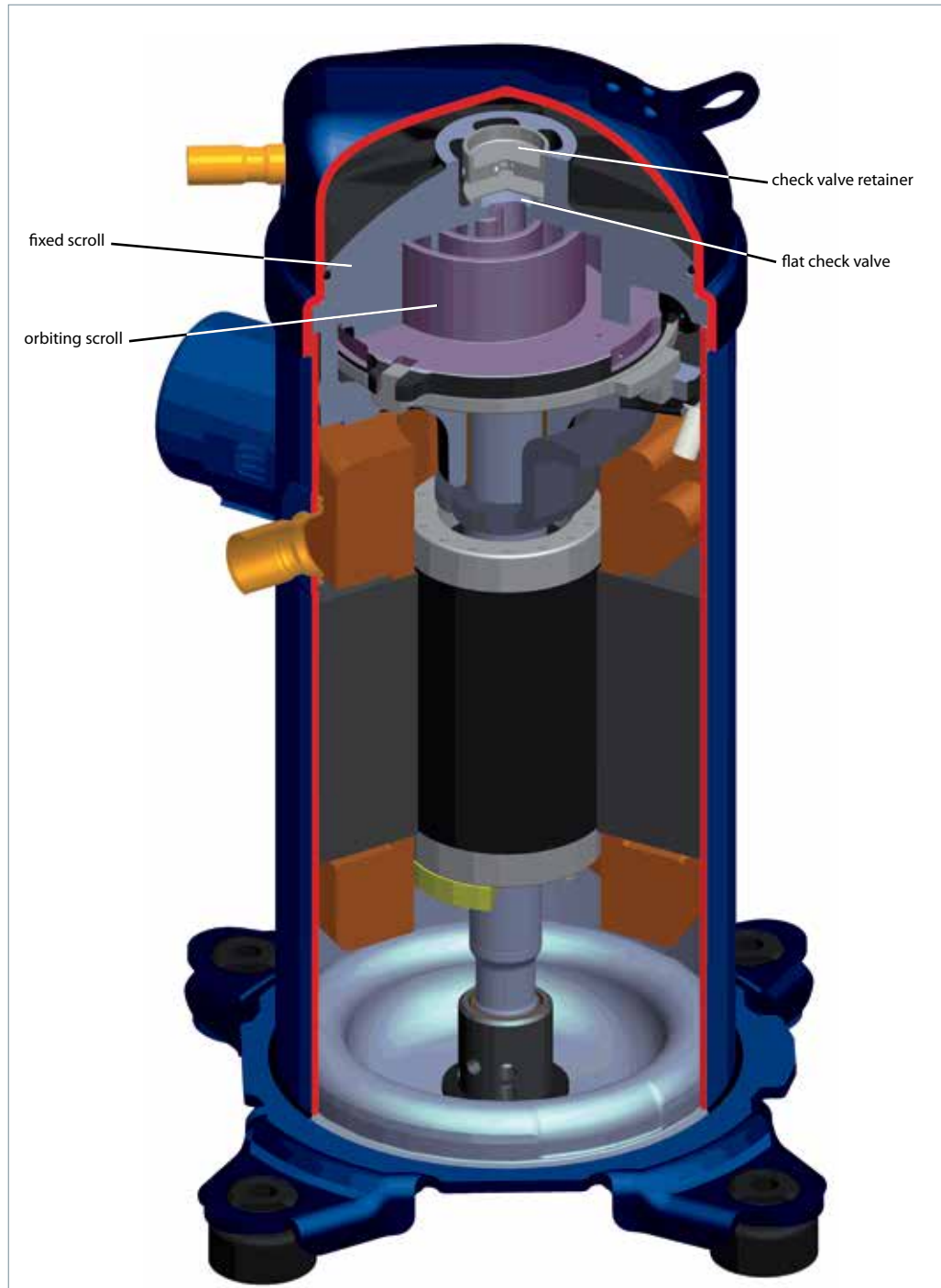


Features	4	Maximum discharge gas temperature	28
Scroll compression principle	5	High and low pressure protection.....	29
The scroll compression process.....	5	On/off cycling (cycle rate limit)	29
Compressor model designation	6	System design recommendations	30
Nomenclature.....	6	General.....	30
Technical specifications	7	Essential piping design considerations	30
50Hz	7	Refrigerant charge limit	31
60Hz	9	Off-cycle migration.....	31
Dimensions	11	Liquid flood back.....	33
MLZ015-019-021-026.....	11	Specific application recommendations 34	
MLZ030-038-042-045-048.....	12	Low ambient application.....	34
MLZ058-066-076.....	13	Scroll and reciprocating	34
Oil sight glass	14	Low load operations.....	35
Schrader.....	14	Braze plate heat exchangers.....	35
Suction and discharge connections	14	Water utilising systems.....	35
Electrical data, connections and wiring 15		Sound and vibration management	36
Motor voltage	15	Starting sound level.....	36
Wiring connections.....	15	Running sound level	36
IP rating.....	15	Stopping sound level	36
Three phase electrical characteristics	16	Sound generation in a refrigeration system.....	36
Single phase electrical characteristics	16	Compressor sound radiation.....	36
LRA (Locked Rotor Amp).....	17	Mechanical vibrations.....	37
MCC (Maximum Continuous Current).....	17	Gas pulsation	37
Max Oper. A (Maximum Operating Amp)	17	Installation	38
Winding resistance.....	17	System cleanliness	38
Electrical connections.....	17	Compressor handling and storage.....	38
Nominal capacitor value and relays.....	18	Compressor mounting	38
Three phase	19	Compressor holding charge.....	38
Internal motor protection	19	Tube brazing procedure.....	38
Phase sequence and reverse rotation protection...19		Brazing material	38
Voltage imbalance	19	Vacuum evacuation and moisture removal.....	40
Approvals and certifications	20	Liquid line filter driers	40
Conformity to directives	20	Refrigerant charging	40
Internal free volume.....	20	Insulation resistance and dielectric strength	40
Operating conditions	21	Ordering information and packaging ... 41	
Refrigerant and lubricants.....	21	Packaging.....	41
Motor supply.....	23	Packaging details.....	41
Compressor ambient temperature	23	Spare parts & accessories	45
Application envelope.....	23		

With its unique scroll design and manufacturing process flexibility, the new Danfoss MLZ refrigeration compressor offers a highly efficient solution for demanding refrigeration applications.

This new family of refrigeration compressors includes 12 sizes of medium temperature

scroll compressors designed for commercial refrigeration applications. These compressors are engineered for refrigeration, and offer cooling capacity from 3.4 to 21kW (2 to 10HP) at common voltages and frequencies as well as any of the common refrigerants (R404A - R507 - R134a - R22 - R407A - R407F - R448A - R449A - R452A - R513A).



Thanks to its dedicated refrigeration design, the MLZ scroll compressor delivers a number of powerful advantages. With its high efficiency motor and optimised scroll design it reduces

energy cost in normal operating conditions and delivers high capacity and an optimised pressure ratio for refrigeration applications.

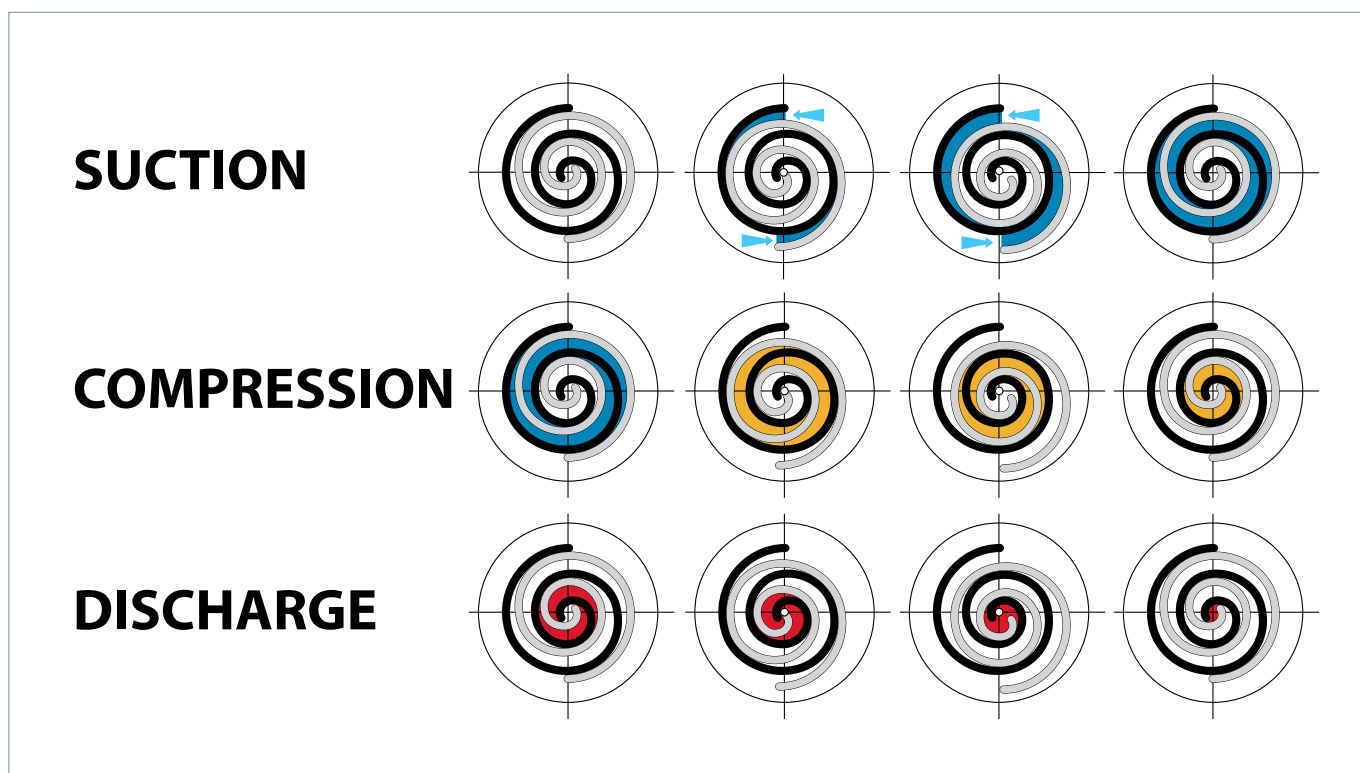
The scroll compression process

The entire scroll compression process is illustrated below. The centre of the orbiting scroll traces a circular path around the centre of the fixed scroll. This movement creates compression pockets between the two scroll elements.

Low pressure suction gas is trapped within each crescent-shaped pocket as it forms; continuous motion of the orbiting scroll serves to seal the pocket, which decreases in volume as the

pocket moves towards the centre of the scroll set, with corresponding increase in gas pressure. Maximum compression is achieved, as the pocket reaches the discharge port at the centre.



Scroll compression is a continuous process: when one pocket of gas is being compressed during the second orbit, another gas quantity enters a new pocket formed at the periphery, and simultaneously, another is being discharged.



Danfoss scroll compressors are manufactured using the most advanced machining, assembly, and process control techniques. In design of both the compressor and the factory, very high

standards of reliability and process control were first priority. The result is a highly efficient product with the highest reliability obtainable, and a low sound level.

Nomenclature

	Type	Size	Motor	Features	Evolution												
	MLZ	021	T 4 L	P 9	A												
Application M: Medium temperature refrigeration					Index - with PVE oil A with POE oil												
Family, Refrigerant LZ(A): R404A - R507 - R22 - R134a - R407A - R407F - R448A - R449A - R452A - R513A					Other features												
					<table border="1"> <thead> <tr> <th></th> <th>Oil sight glass</th> <th>Oil equalisation</th> <th>Oil drain</th> <th>LP gauge port</th> <th>Gas equalisation port</th> </tr> </thead> <tbody> <tr> <td>9</td> <td>Threaded</td> <td>None</td> <td>Schrader</td> <td>None</td> <td>None</td> </tr> </tbody> </table>		Oil sight glass	Oil equalisation	Oil drain	LP gauge port	Gas equalisation port	9	Threaded	None	Schrader	None	None
	Oil sight glass	Oil equalisation	Oil drain	LP gauge port	Gas equalisation port												
9	Threaded	None	Schrader	None	None												
Nominal capacity In thousand Btu/h at 60Hz, ARI, MBP conditions					Tubing and electrical connections P: Brazed connections, spade terminals  Spade terminals C: Brazed connections, screw terminals T: Rotolock connections, spade terminals Q: Rotolock connections, screws terminals  Screw terminals												
Model variation T: Design optimised for refrigeration					Motor protection L: Internal motor protection												
					Motor voltage code 1: 208-230V/1~/60Hz 2: 200-220V/3~/50Hz & 208-230V/3~/60Hz 4: 380-415V/3~/50Hz & 460V/3~/60Hz 5: 220-240V/1~/50Hz 7: 575V/ 3~/60Hz 9: 380V/3~/60Hz												

Application Guidelines Technical specifications

50Hz

Model	HP	Nominal cooling capacity *		Power input *	Efficiency *		Swept volume		Displacement		Oil charge		Net weight (with oil)		
		W	Btu/h		kW	COP	EER	cm ³ /rev	cu.in/rev	m ³ /h	cu.ft/h	Litres	oz	kg	lb
				W/W		Btu/h/W									
R404A**	MLZ015	2	3300	11300	1.75	1.89	6.45	33.8	2.06	5.9	208	1.1	37	31	68
	MLZ019	2.5	4500	15400	2.16	2.06	7.03	43.5	2.65	7.6	268	1.1	37	31	68
	MLZ021	3	4700	16000	2.27	2.08	7.10	46.2	2.82	8.0	283	1.1	37	31	68
	MLZ026	3.5	5800	19800	2.90	2.00	6.83	57.1	3.48	9.9	350	1.1	37	31	68
	MLZ030	4	7100	24200	3.35	2.11	7.20	68.8	4.20	12.0	424	1.6	54	37	81
	MLZ038	5	8400	28700	3.86	2.19	7.47	81.0	4.94	14.1	498	1.6	54	37	81
	MLZ042	5.5	9500	32400	4.72	2.02	6.89	93.1	5.68	16.2	572	1.6	54	37	81
	MLZ045	6	10200	34800	4.81	2.11	7.20	98.6	6.02	17.2	607	1.6	54	37	81
	MLZ048	7	11100	37900	5.17	2.14	7.30	107.5	6.56	18.7	660	1.6	54	37	81
	MLZ058	7.5	13000	44400	6.08	2.13	7.27	126.0	7.69	21.9	773	2.7	91	44	97
	MLZ066	9	15100	51500	7.01	2.15	7.34	148.8	9.08	25.9	915	2.7	91	45	99
MLZ076	10	17300	59000	7.93	2.18	7.44	162.4	9.91	28.3	999	2.7	91	45	99	
R134a***	MLZ015	2	2000	6800	1.02	1.95	6.66	33.8	2.06	5.9	208	1.1	37	31	68
	MLZ019	2.5	2500	8500	1.28	1.98	6.76	43.5	2.65	7.6	268	1.1	37	31	68
	MLZ021	3	2700	9200	1.33	2.04	6.96	46.2	2.82	8.0	283	1.1	37	31	68
	MLZ026	3.5	3300	11300	1.62	2.06	7.03	57.1	3.48	9.9	350	1.1	37	31	68
	MLZ030	4	4000	13700	1.93	2.09	7.13	68.8	4.20	12.0	424	1.6	54	37	81
	MLZ038	5	4700	16000	2.34	2.02	6.89	81.0	4.94	14.1	498	1.6	54	37	81
	MLZ042	5.5	5300	18100	2.74	1.95	6.66	93.1	5.68	16.2	572	1.6	54	37	81
	MLZ045	6	5900	20100	2.69	2.17	7.41	98.6	6.02	17.2	607	1.6	54	37	81
	MLZ048	7	6200	21200	2.91	2.14	7.30	107.5	6.56	18.7	660	1.6	54	37	81
	MLZ058	7.5	7400	25300	3.61	2.06	7.03	126.0	7.69	21.9	773	2.7	91	44	97
	MLZ066	9	8600	29400	4.10	2.10	7.17	148.8	9.08	25.9	915	2.7	91	45	99
MLZ076	10	9600	32800	4.67	2.06	7.03	162.4	9.91	28.3	999	2.7	91	45	99	
R448A****	MLZ015	2	3200	11000	1.68	1.91	6.52	33.8	2.06	5.9	208	1.1	37	31	68
	MLZ019	2.5	4200	14300	2.11	1.99	6.79	43.5	2.65	7.6	268	1.1	37	31	68
	MLZ021	3	4400	15000	2.23	1.97	6.73	46.2	2.82	8.0	283	1.1	37	31	68
	MLZ026	3.5	5500	18700	2.78	1.97	6.72	57.1	3.48	9.9	350	1.1	37	31	68
	MLZ030	4	6600	22500	3.17	2.08	7.09	68.8	4.20	12.0	424	1.6	54	37	81
	MLZ038	5	7800	26600	3.64	2.14	7.30	81.0	4.94	14.1	498	1.6	54	37	81
	MLZ042	5.5	9100	31000	4.55	1.99	6.81	93.1	5.68	16.2	572	1.6	54	37	81
	MLZ045	6	9700	33000	4.58	2.11	7.21	98.6	6.02	17.2	607	1.6	54	37	81
	MLZ048	7	10400	35500	5.06	2.06	7.02	107.5	6.56	18.7	660	1.6	54	37	81
	MLZ058	7.5	12200	41700	5.57	2.19	7.48	126.0	7.69	21.9	773	2.7	91	44	97
	MLZ066	9	14200	48500	6.75	2.11	7.21	148.8	9.08	25.9	915	2.7	91	45	99
MLZ076	10	15200	51700	7.61	1.99	6.80	162.4	9.91	28.3	999	2.7	91	45	99	
R22	MLZ015	2	3300	11263	1.53	2.15	7.34	33.8	2.06	5.9	208	1.1	37	31	68
	MLZ019	2.5	4300	14676	1.87	2.30	7.85	43.5	2.65	7.6	268	1.1	37	31	68
	MLZ021	3	4600	15700	2.02	2.27	7.75	46.2	2.82	8.0	283	1.1	37	31	68
	MLZ026	3.5	5700	19454	2.43	2.33	7.95	57.1	3.48	9.9	350	1.1	37	31	68
	MLZ030	4	6800	23208	2.93	2.33	7.95	68.8	4.20	12.0	424	1.6	54	37	81
	MLZ038	5	8100	27645	3.45	2.34	7.99	81.0	4.94	14.1	498	1.6	54	37	81
	MLZ042	5.5	9100	31058	4.23	2.15	7.34	93.1	5.68	16.2	572	1.6	54	37	81
	MLZ045	6	9300	31741	4.14	2.24	7.65	98.6	6.02	17.2	607	1.6	54	37	81
	MLZ048	7	10600	36177	4.53	2.33	7.95	107.5	6.56	18.7	660	1.6	54	37	81
	MLZ058	7.5	12300	41980	5.29	2.33	7.95	126.0	7.69	21.9	773	2.7	91	44	97
	MLZ066	9	14100	48123	5.94	2.38	8.12	148.8	9.08	25.9	915	2.7	91	45	99
MLZ076	10	16600	56655	6.96	2.38	8.12	162.4	9.91	28.3	999	2.7	91	45	99	

* at EN12900 conditions: To= -10°C(14°F), Tc= 45°C (113°F), RGT= 20°C (68°F), SC= 0K

** R507 performance data are nearly identical to R404A performance data

***: To= -10°C(14°F), Tc= 45°C (113°F), SH= 10K(18°F), SC= 0K

****R449A performance data are nearly identical to R448A performance data

All performance test data after run-in 72hrs. Motor voltage code 4: 400V/3~/50Hz, MLZ042: Motor voltage code 5: 220-240V/1~/50Hz

Application Guidelines Technical specifications

50Hz

Model	HP	Nominal cooling capacity *		Power input *	Efficiency *		Swept volume		Displacement		Oil charge		Net weight (with oil)		
					COP	EER									
		W	Btu/h	kW	W/W	Btu/h/W	cm ³ /rev	cu.in/rev	m ³ /h	cu.ft/h	Litres	oz	kg	lb	
R407A	MLZ015	2	3100	10580	1.55	2.00	6.83	33.8	2.06	5.9	208	1.1	37	31	68
	MLZ019	2.5	4000	13652	2.04	1.96	6.69	43.5	2.65	7.6	268	1.1	37	31	68
	MLZ021	3	4200	14334	2.21	1.91	6.52	46.2	2.82	8.0	283	1.1	37	31	68
	MLZ026	3.5	5300	18089	2.71	1.96	6.69	57.1	3.48	9.9	350	1.1	37	31	68
	MLZ030	4	6500	22184	2.99	2.17	7.41	68.8	4.20	12.0	424	1.6	54	37	81
	MLZ038	5	7500	25597	3.47	2.16	7.37	81.0	4.94	14.1	498	1.6	54	37	81
	MLZ042	5.5	8600	29352	4.53	1.9	6.48	93.1	5.68	16.2	572	1.6	54	37	81
	MLZ045	6	9100	31058	4.55	2.01	6.86	98.6	6.02	17.2	607	1.6	54	37	81
	MLZ048	7	10000	34130	5.01	2.00	6.83	107.5	6.56	18.7	660	1.6	54	37	81
	MLZ058	7.5	11500	39249	5.69	2.02	6.89	126.0	7.69	21.9	773	2.7	91	44	97
	MLZ066	9	13400	45734	6.78	1.98	6.76	148.8	9.08	25.9	915	2.7	91	45	99
MLZ076	10	14700	50171	7.51	1.96	6.69	162.4	9.91	28.3	999	2.7	91	45	99	
R407F	MLZ015	2	3300	11263	1.66	2.00	6.83	33.8	2.06	5.9	208	1.1	37	31	68
	MLZ019	2.5	4300	14676	2.19	1.96	6.69	43.5	2.65	7.6	268	1.1	37	31	68
	MLZ021	3	4500	15358	2.37	1.91	6.52	46.2	2.82	8.0	283	1.1	37	31	68
	MLZ026	3.5	5700	19454	2.90	1.96	6.69	57.1	3.48	9.9	350	1.1	37	31	68
	MLZ030	4	6900	23549	3.20	2.17	7.41	68.8	4.20	12.0	424	1.6	54	37	81
	MLZ038	5	8000	27304	3.72	2.16	7.37	81.0	4.94	14.1	498	1.6	54	37	81
	MLZ042	5.5	9200	31399	4.85	1.9	6.48	93.1	5.68	16.2	572	1.6	54	37	81
	MLZ045	6	9800	33447	4.87	2.01	6.86	98.6	6.02	17.2	607	1.6	54	37	81
	MLZ048	7	10800	36860	5.37	2.01	6.86	107.5	6.56	18.7	660	1.6	54	37	81
	MLZ058	7.5	12300	41980	6.09	2.02	6.89	126.0	7.69	21.9	773	2.7	91	44	97
	MLZ066	9	14400	49147	7.26	1.99	6.79	148.8	9.08	25.9	915	2.7	91	45	99
MLZ076	10	15800	53925	8.04	1.96	6.69	162.4	9.91	28.3	999	2.7	91	45	99	
R452A	MLZ015	2	3400	11500	1.71	1.97	6.72	33.8	2.06	5.9	208	1.1	37	31	68
	MLZ019	2.5	4300	14700	2.17	1.99	6.80	43.5	2.65	7.6	268	1.1	37	31	68
	MLZ021	3	4600	15700	2.27	2.02	6.89	46.2	2.82	8.0	283	1.1	37	31	68
	MLZ026	3.5	5700	29400	2.81	2.02	6.90	57.1	3.48	9.9	350	1.1	37	31	68
	MLZ030	4	6800	23400	3.27	2.10	7.18	68.8	4.20	12.0	424	1.6	54	37	81
	MLZ038	5	8000	27300	3.81	2.10	7.18	81.0	4.94	14.1	498	1.6	54	37	81
	MLZ042	5.5	9300	31700	4.84	1.92	6.56	93.1	5.68	16.2	572	1.6	54	37	81
	MLZ045	6	10100	34300	4.81	2.09	7.14	98.6	6.02	17.2	607	1.6	54	37	81
	MLZ048	7	11000	37500	5.17	2.12	7.25	107.5	6.56	18.7	660	1.6	54	37	81
	MLZ058	7.5	12900	44000	5.89	2.19	7.48	126.0	7.69	21.9	773	2.7	91	44	97
	MLZ066	9	15100	51500	7.15	2.11	7.20	148.8	9.08	25.9	915	2.7	91	45	99
MLZ076	10	16200	55200	7.94	2.04	6.95	162.4	9.91	28.3	999	2.7	91	45	99	
R513A	MLZ015	2	2100	7200	1.09	1.93	6.58	33.8	2.06	5.9	208	1.1	37	31	68
	MLZ019	2.5	2700	9300	1.37	1.98	6.75	43.5	2.65	7.6	268	1.1	37	31	68
	MLZ021	3	2900	9900	1.45	1.99	6.78	46.2	2.82	8.0	283	1.1	37	31	68
	MLZ026	3.5	3600	12200	1.78	2.01	6.85	57.1	3.48	9.9	350	1.1	37	31	68
	MLZ030	4	4400	14900	2.04	2.14	7.29	68.8	4.20	12.0	424	1.6	54	37	81
	MLZ038	5	5100	17500	2.34	2.18	7.45	81.0	4.94	14.1	498	1.6	54	37	81
	MLZ042	5.5	5900	20200	3.00	1.98	6.74	93.1	5.68	16.2	572	1.6	54	37	81
	MLZ045	6	6400	21700	2.96	2.15	7.33	98.6	6.02	17.2	607	1.6	54	37	81
	MLZ048	7	6800	23100	3.21	2.11	7.19	107.5	6.56	18.7	660	1.6	54	37	81
	MLZ058	7.5	8000	27300	3.64	2.20	7.51	126.0	7.69	21.9	773	2.7	91	44	97
	MLZ066	9	9300	31800	4.44	2.10	7.17	148.8	9.08	25.9	915	2.7	91	45	99
MLZ076	10	10000	34100	5.13	1.95	6.65	162.4	9.91	28.3	999	2.7	91	45	99	

* at EN12900 conditions: To= -10°C(14°F), Tc= 45°C(113°F), RGT= 20°C(68°F), SC= 0K

Only motor code 4, code 5 of MLZ are qualified with R407A/R407F

All performance test data after run-in 72hrs

Motor voltage code 4: 400V/3~/50Hz

MLZ042: Motor voltage code 5: 220-240V/1~/50Hz

Application Guidelines Technical specifications

60Hz

Model	HP	Nominal cooling capacity *		Power input *	Efficiency *		Swept volume		Displacement		Oil charge		Net weight (with oil)		
		W	Btu/h		kW	COP	EER	cm ³ /rev	cu.in./rev	m ³ /h	cu.ft./h	Litres	oz	kg	lb
				W/W											
R404A**	MLZ015	2	4100	14000	2.10	1.94	6.62	33.8	2.06	7.1	251	1.1	37	31	68
	MLZ019	2.5	5500	18800	2.58	2.11	7.20	43.5	2.65	9.1	321	1.1	37	31	68
	MLZ021	3	5800	19800	2.74	2.13	7.27	46.2	2.82	9.7	343	1.1	37	31	68
	MLZ026	3.5	7200	24600	3.44	2.10	7.17	57.1	3.48	12.0	424	1.1	37	31	68
	MLZ030	4	8500	29000	3.90	2.18	7.44	68.8	4.20	14.4	509	1.6	54	37	81
	MLZ038	5	10200	34800	4.70	2.18	7.44	81.0	4.94	17.0	600	1.6	54	37	81
	MLZ042	5.5	11800	40300	5.73	2.07	7.06	93.1	5.68	19.6	692	1.6	54	37	81
	MLZ045	6	12400	42300	5.64	2.19	7.47	98.6	6.02	20.7	731	1.6	54	37	81
	MLZ048	7	13500	46100	6.15	2.20	7.51	107.5	6.56	22.6	798	1.6	54	37	81
	MLZ058	7.5	15700	53600	7.35	2.14	7.30	126.0	7.69	26.4	932	2.7	91	44	97
	MLZ066	9	18400	62800	8.40	2.18	7.44	148.8	9.08	31.3	1105	2.7	91	45	99
MLZ076	10	20900	71300	9.59	2.18	7.44	162.4	9.91	34.1	1204	2.7	91	45	99	
R134a***	MLZ015	2	2400	8200	1.19	2.05	7.00	33.8	2.06	7.1	251	1.1	37	31	68
	MLZ019	2.5	3100	10600	1.53	2.03	6.93	43.5	2.65	9.1	321	1.1	37	31	68
	MLZ021	3	3300	11300	1.58	2.10	7.17	46.2	2.82	9.7	343	1.1	37	31	68
	MLZ026	3.5	4100	14000	1.91	2.15	7.34	57.1	3.48	12.0	424	1.1	37	31	68
	MLZ030	4	5000	17100	2.35	2.11	7.20	68.8	4.20	14.4	509	1.6	54	37	81
	MLZ038	5	5800	19800	2.80	2.09	7.13	81.0	4.94	17.0	600	1.6	54	37	81
	MLZ042	5.5	6500	22200	3.33	1.94	6.62	93.1	5.68	19.6	692	1.6	54	37	81
	MLZ045	6	7100	24200	3.32	2.14	7.30	98.6	6.02	20.7	731	1.6	54	37	81
	MLZ048	7	7600	25900	3.54	2.14	7.30	107.5	6.56	22.6	798	1.6	54	37	81
	MLZ058	7.5	9100	31100	4.28	2.13	7.27	126.0	7.69	26.4	932	2.7	91	44	97
	MLZ066	9	10400	35500	4.85	2.15	7.34	148.8	9.08	31.3	1105	2.7	91	45	99
MLZ076	10	11700	39900	5.61	2.09	7.13	162.4	9.91	34.1	1204	2.7	91	45	99	
R448A****	MLZ015	2	3800	13100	1.96	1.96	6.69	33.8	2.06	7.1	251	1.1	37	31	68
	MLZ019	2.5	5100	17400	2.48	2.06	7.02	43.5	2.65	9.1	321	1.1	37	31	68
	MLZ021	3	5400	18400	2.62	2.06	7.03	46.2	2.82	9.7	343	1.1	37	31	68
	MLZ026	3.5	6800	23200	3.21	2.12	7.23	57.1	3.48	12.0	424	1.1	37	31	68
	MLZ030	4	6600	22500	3.17	2.08	7.09	68.8	4.20	14.5	512	1.6	54	37	81
	MLZ038	5	8200	28100	3.72	2.22	7.56	81.0	4.94	17.0	600	1.6	54	37	81
	MLZ042	5.5	11000	37600	5.55	1.99	6.79	93.1	5.68	19.6	692	1.6	54	37	81
	MLZ045	6	11600	39500	5.57	2.08	7.10	98.6	6.02	20.7	731	1.6	54	37	81
	MLZ048	7	12800	43800	5.93	2.16	7.38	107.5	6.56	22.6	798	1.6	54	37	81
	MLZ058	7.5	15100	51500	6.65	2.27	7.74	126.0	7.69	26.5	936	2.7	91	44	97
	MLZ066	9	17400	59300	8.05	2.16	7.36	148.8	9.08	31.3	1105	2.7	91	45	99
MLZ076	10	18700	63800	8.88	2.11	7.19	162.4	9.91	34.1	1204	2.7	91	45	99	
R22	MLZ015	2	3900	13311	1.74	2.26	7.71	33.8	2.06	7.1	251	1.1	37	31	68
	MLZ019	2.5	5200	17747	2.22	2.37	8.09	43.5	2.65	9.1	321	1.1	37	31	68
	MLZ021	3	5600	19113	2.36	2.36	8.05	46.2	2.82	9.7	343	1.1	37	31	68
	MLZ026	3.5	7000	23891	2.93	2.39	8.16	57.1	3.48	12.0	424	1.1	37	31	68
	MLZ030	4	8200	27986	3.46	2.36	8.05	68.8	4.20	14.5	512	1.6	54	37	81
	MLZ038	5	9600	32765	4.06	2.36	8.05	81.0	4.94	17.0	600	1.6	54	37	81
	MLZ042	5.5	10900	37201	5.00	2.18	7.44	93.1	5.68	19.6	692	1.6	54	37	81
	MLZ045	6	11700	39932	4.91	2.38	8.12	98.6	6.02	20.7	731	1.6	54	37	81
	MLZ048	7	12900	44027	5.36	2.4	8.19	107.5	6.56	22.6	798	1.6	54	37	81
	MLZ058	7.5	14900	50853	6.34	2.34	7.99	126.0	7.69	26.5	936	2.7	91	44	97
	MLZ066	9	17000	58020	7.14	2.38	8.12	148.8	9.08	31.3	1105	2.7	91	45	99
MLZ076	10	20100	68601	8.40	2.39	8.16	162.4	9.91	34.1	1204	2.7	91	45	99	

* at EN12900 conditions: To= -10°C(14°F), Tc= 45°C(113°F), RGT= 20°C(68°F), SC= 0K

** R507 performance data are nearly identical to R404A performance data

***: To= -10°C(14°F), Tc= 45°C(113°F), SH= 10K(18°F), SC= 0K

****R449A performance data are nearly identical to R448A performance data

All performance test data after run-in 72hrs

Motor voltage code 4: 460V/3~/60Hz

MLZ042: Motor voltage code 1: 208-230V/1~/60Hz

Application Guidelines Technical specifications

60Hz

Model	HP	Nominal cooling capacity *		Power input *	Efficiency *		Swept volume		Displacement		Oil charge		Net weight (with oil)		
		W	Btu/h		kW	COP	EER	cm ³ /rev	cu.in/rev	m ³ /h	cu.ft/h	Litres	oz	kg	lb
				W/W											
R407A	MLZ015	2	3800	12969	1.85	2.04	6.96	33.8	2.06	7.1	251	1.1	37	31	68
	MLZ019	2.5	4900	16724	2.40	2.06	7.03	43.5	2.65	9.1	321	1.1	37	31	68
	MLZ021	3	5300	18089	2.63	2.01	6.86	46.2	2.82	9.7	343	1.1	37	31	68
	MLZ026	3.5	6400	21843	3.10	2.07	7.06	57.1	3.48	12.0	424	1.1	37	31	68
	MLZ030	4	7900	26962	3.52	2.25	7.68	68.8	4.20	14.5	512	1.6	54	37	81
	MLZ038	5	9200	31399	4.10	2.24	7.65	81.0	4.94	17.0	600	1.6	54	37	81
	MLZ045	6	11200	38225	5.37	2.09	7.13	98.6	6.02	20.7	731	1.6	54	37	81
	MLZ048	7	12200	41638	6.01	2.03	6.93	107.5	6.56	22.6	798	1.6	54	37	81
	MLZ058	7.5	14300	48805	6.68	2.14	7.30	126.0	7.69	26.5	936	2.7	91	44	97
	MLZ066	9	16700	56997	7.89	2.12	7.24	148.8	9.08	31.3	1105	2.7	91	45	99
MLZ076	10	18100	61775	8.64	2.09	7.13	162.4	9.91	34.1	1204	2.7	91	45	99	
R407F	MLZ015	2	4100	13993	1.98	2.05	7.00	33.8	2.06	7.1	251	1.1	37	31	68
	MLZ019	2.5	5300	18089	2.57	2.06	7.03	43.5	2.65	9.1	321	1.1	37	31	68
	MLZ021	3	5700	19454	2.81	2.01	6.86	46.2	2.82	9.70	343	1.1	37	31	68
	MLZ026	3.5	6900	23549	3.32	2.08	7.10	57.1	3.48	12.0	424	1.1	37	31	68
	MLZ030	4	8500	29010	3.77	2.26	7.71	68.8	4.20	14.5	512	1.6	54	37	81
	MLZ038	5	9800	33447	4.38	2.24	7.65	81.0	4.94	17.0	600	1.6	54	37	81
	MLZ045	6	12000	40956	5.75	2.09	7.13	98.6	6.02	20.7	731	1.6	54	37	81
	MLZ048	7	13100	44710	6.44	2.04	6.96	107.5	6.56	22.6	798	1.6	54	37	81
	MLZ058	7.5	15300	52218	7.15	2.14	7.30	126.0	7.69	26.5	936	2.7	91	44	97
	MLZ066	9	18000	61433	8.45	2.13	7.27	148.8	9.08	31.3	1105	2.7	91	45	99
MLZ076	10	19400	66212	9.25	2.09	7.13	162.4	9.91	34.1	1204	2.7	91	45	99	
R452A	MLZ015	2	4100	13900	2.05	1.99	6.78	33.8	2.06	7.1	251	1.1	37	31	68
	MLZ019	2.5	5200	17900	2.57	2.03	6.94	43.5	2.65	9.1	321	1.1	37	31	68
	MLZ021	3	5500	18800	2.70	2.05	6.99	46.2	2.82	9.70	343	1.1	37	31	68
	MLZ026	3.5	6800	23300	3.34	2.04	6.97	57.1	3.48	12.0	424	1.1	37	31	68
	MLZ030	4	8400	28700	3.94	2.14	7.29	68.8	4.20	14.5	512	1.6	54	37	81
	MLZ038	5	9800	33300	4.55	2.15	7.34	81.0	4.94	17.0	600	1.6	54	37	81
	MLZ042	5.5	11400	38900	5.68	2.01	6.85	93.1	5.68	19.6	692	1.6	54	37	81
	MLZ045	6	12000	41000	5.71	2.11	7.18	98.6	6.02	20.7	731	1.6	54	37	81
	MLZ048	7	13300	45200	6.24	2.13	7.26	107.5	6.56	22.6	798	1.6	54	37	81
	MLZ058	7.5	15500	53000	7.09	2.19	7.48	126.0	7.69	26.5	936	2.7	91	44	97
MLZ066	9	18500	63100	8.42	2.20	7.50	148.8	9.08	31.3	1105	2.7	91	45	99	
MLZ076	10	19800	67600	9.26	2.14	7.30	162.4	9.91	34.1	1204	2.7	91	45	99	
R513A	MLZ015	2	2500	8600	1.32	1.91	6.52	33.8	2.06	7.1	251	1.1	37	31	68
	MLZ019	2.5	3300	11200	1.66	1.98	6.75	43.5	2.65	9.1	321	1.1	37	31	68
	MLZ021	3	3500	11900	1.75	2.00	6.81	46.2	2.82	9.70	343	1.1	37	31	68
	MLZ026	3.5	4300	14800	2.12	2.04	6.98	57.1	3.48	12.0	424	1.1	37	31	68
	MLZ030	4	5300	17900	2.47	2.13	7.28	68.8	4.20	14.5	512	1.6	54	37	81
	MLZ038	5	6200	21300	2.89	2.16	7.37	81.0	4.94	17.0	600	1.6	54	37	81
	MLZ045	6	7600	25800	3.65	2.07	7.07	98.6	6.02	20.7	731	1.6	54	37	81
	MLZ048	7	8300	28200	3.90	2.12	7.24	107.5	6.56	22.6	798	1.6	54	37	81
	MLZ058	7.5	9600	32900	4.40	2.19	7.48	126.0	7.69	26.5	936	2.7	91	44	97
	MLZ066	9	11400	38800	5.15	2.21	7.53	148.8	9.08	31.3	1105	2.7	91	45	99
MLZ076	10	12000	41100	5.96	2.02	6.90	162.4	9.91	34.1	1204	2.7	91	45	99	

* at EN12900 conditions: To= -10°C(14°F), Tc= 45°C(113°F), RGT= 20°C(68°F), SC= 0K

Only motor code 4, code 5 of MLZ are qualified with R407A/R407F

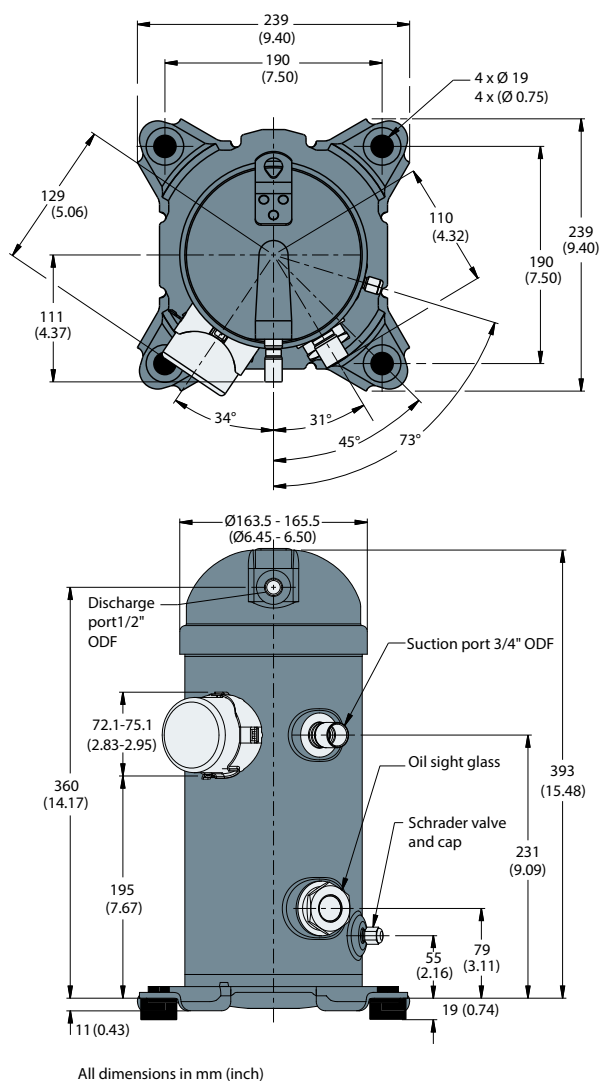
All performance test data after run-in 72hrs

Motor voltage code 4: 460V/3~/60Hz

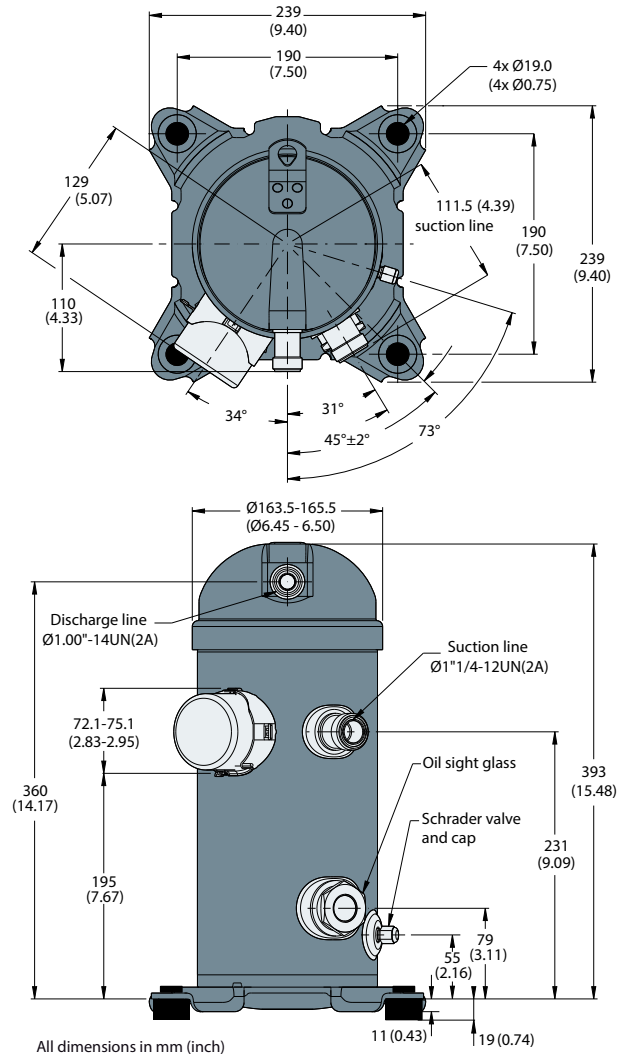
MLZ042: Motor voltage code 1: 208-230V/1~/60Hz

MLZ015-019-021-026

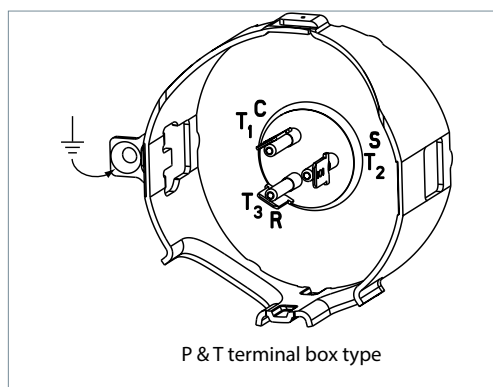
Brazed



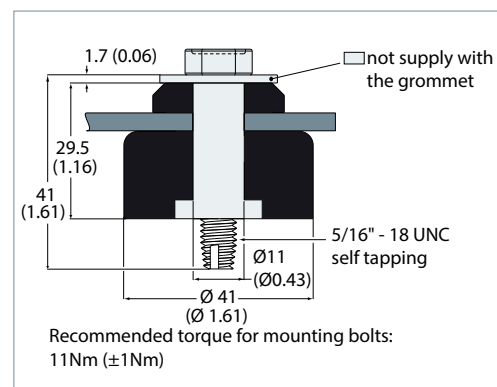
Rotolock



Terminal box P & T (spade terminals)



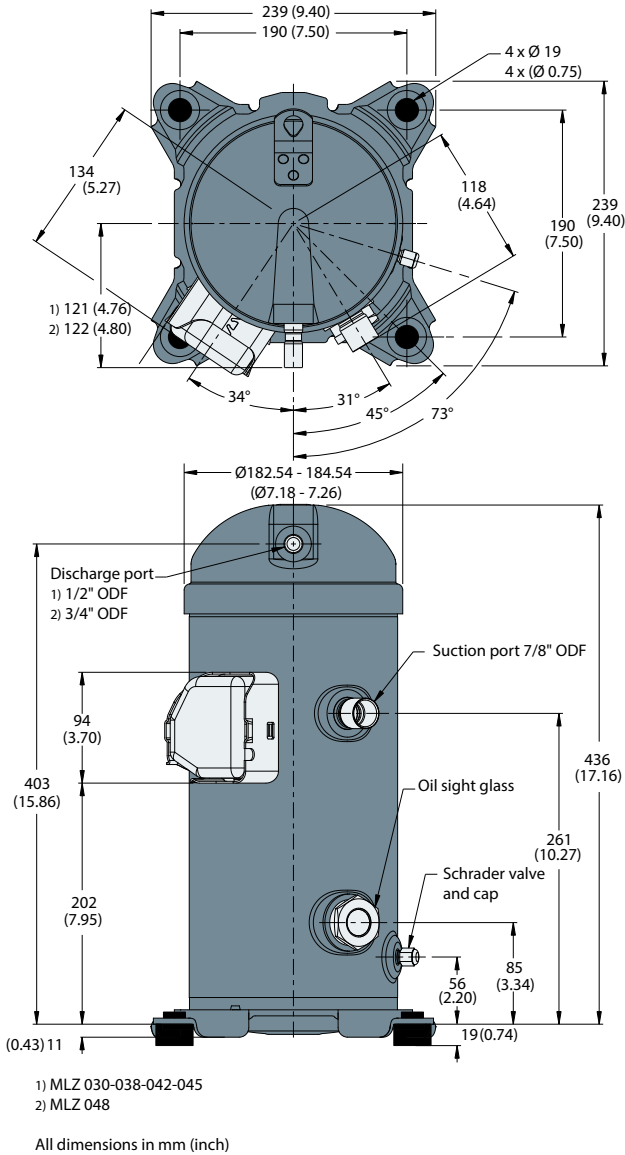
Mounting grommet



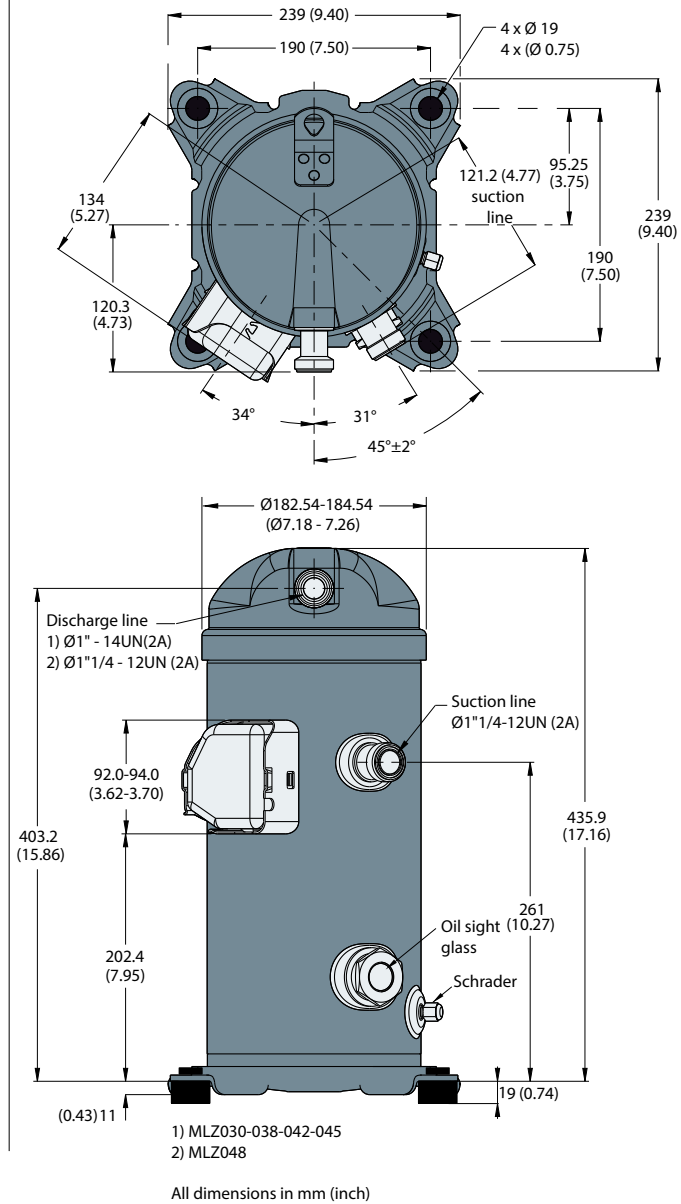
Refer to section "Ordering information and packaging" for overview of shipped mounting accessories

MLZ030-038-042-045-048

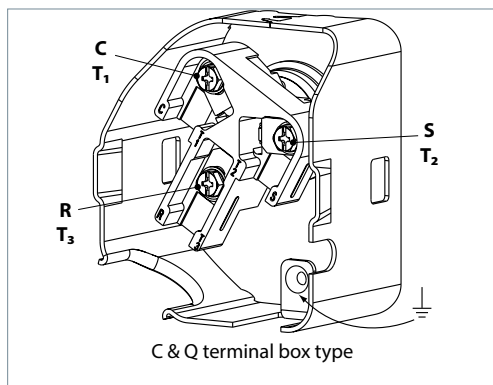
Brazed



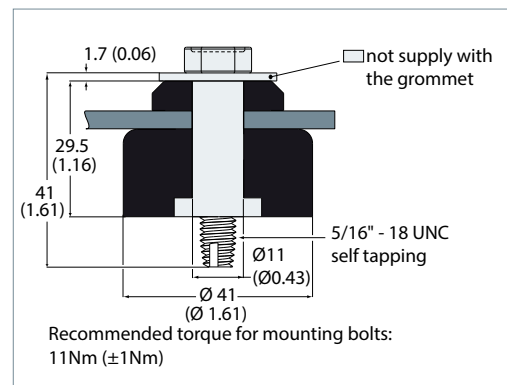
Rotolock



Terminal box C & Q (screw terminals)



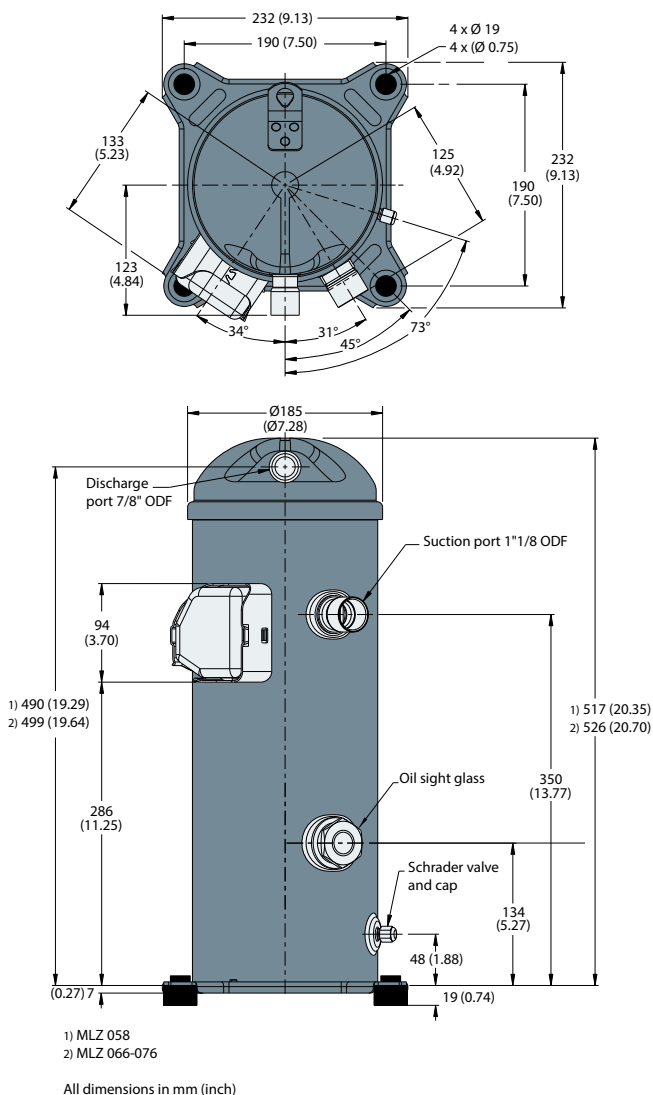
Mounting grommet



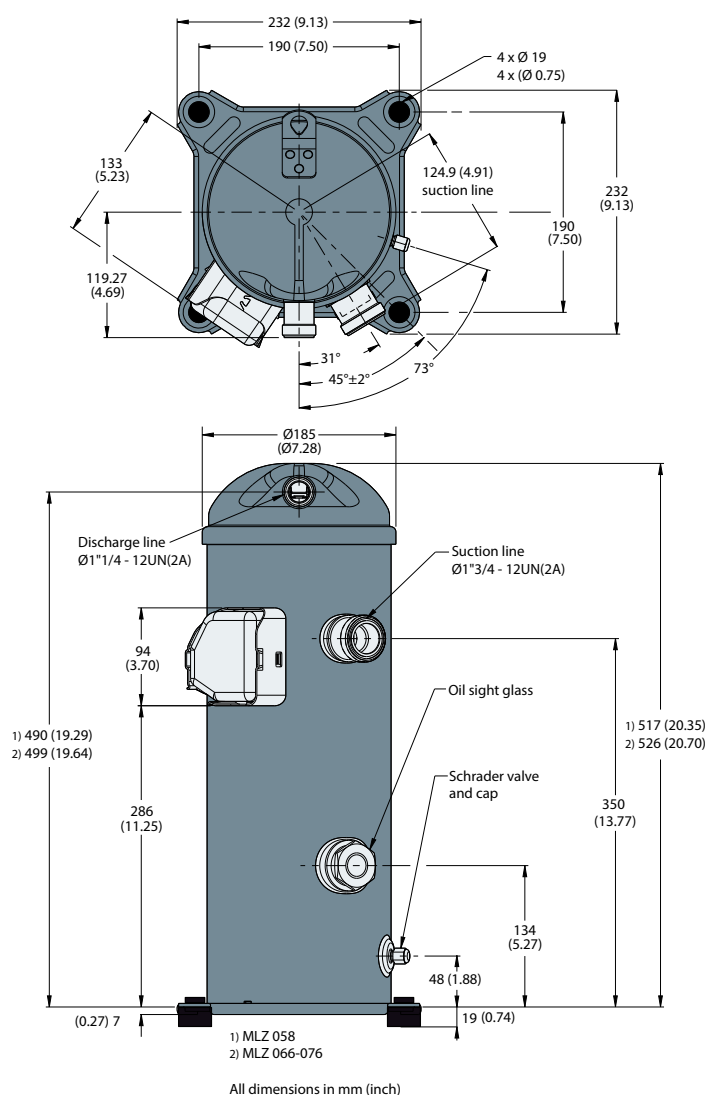
Refer to section "Ordering information and packaging" for overview of shipped mounting accessories

MLZ058-066-076

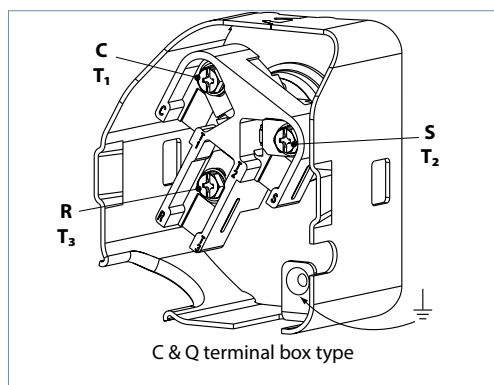
Brazed



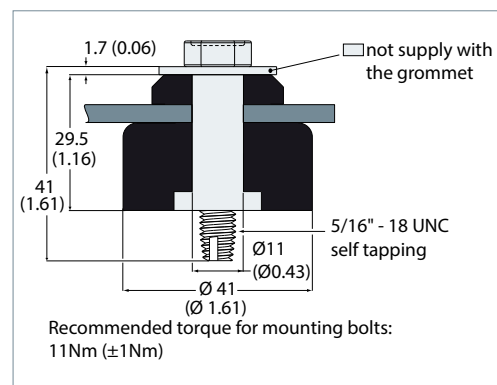
Rotolock



Terminal box C & Q (screw terminals)



Mounting grommet



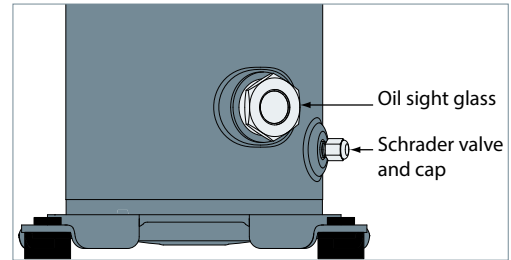
Refer to section "Ordering information and packaging" for overview of shipped mounting accessories

Application Guidelines

Dimensions

Oil sight glass

MLZ scroll compressors come equipped with a threaded oil sight glass with 1"1/8 - 18 UNEF connection. It can be used for a visual check of the oil amount and condition or it may be replaced by an accessory oil management device. The oil level must be visible in the sight glass during operation.
Torque requirement= 52.5 ±2.5Nm (38.7±1.8lb.ft)



Schrader

The oil fill and drain connection and gauge port is a 1/4" male flare connector incorporating a schrader valve.
Torque requirements:
Schrader valve core: 0.6 ±0.2Nm (0.44±0.14lb.ft)
Schrader valve cover: 14.5 ±1Nm (10.7±0.7lb.ft)

Suction and discharge connections

MLZ scroll compressors are factory delivered with brazed connections only. Dedicated rotolock

adaptors and adaptor sets are available as accessory.



Compressor models	Brazed connection size		Rotolock adaptor set (①adaptor, ②gasket, ③sleeve, ④nut)			Rotolock adaptor (① adaptor only)
			Rotolock	Solder sleeve ODF	Code Number	Code Number
MLZ 015-019-021-026	Suction	3/4"	1-1/4"	3/4"	120Z0126	120Z0366
	Discharge	1/2"	1"	1/2"		120Z0365
MLZ 030-038-042-045	Suction	7/8"	1-1/4"	7/8"	120Z0127	120Z0367
	Discharge	1/2"	1"	1/2"		120Z0365
MLZ 048	Suction	7/8"	1-1/4"	7/8"	120Z0128	120Z0367
	Discharge	3/4"	1-1/4"	3/4"		120Z0366
MLZ 058-066-076	Suction	1-1/8"	1-3/4"	1-1/8"	120Z0129	120Z0364
	Discharge	7/8"	1-1/4"	7/8"		120Z0367

Tightening torque for rotolock connection: 90Nm ±20 (66.4lb.ft±14.75)

Motor voltage

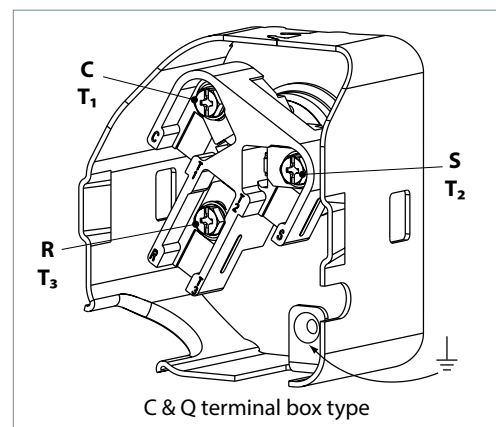
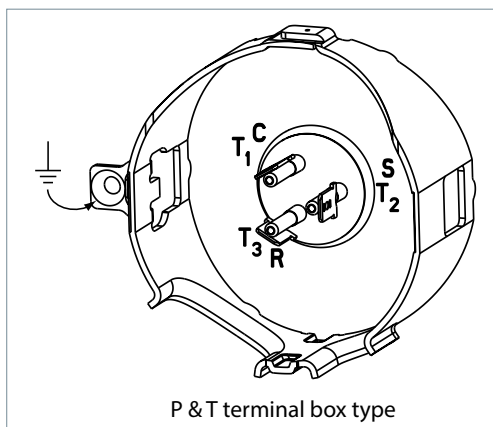
MLZ scroll compressors are available in 6 different motor voltages.

	Motor voltage code 1	Motor voltage code 2	Motor voltage code 4	Motor voltage code 5	Motor voltage code 7	Motor voltage code 9
Nominal voltage 50Hz	-	200-220V - 3ph	380-415V - 3ph	220-240V - 1ph	-	-
Voltage range 50Hz	-	180 - 242V	342 - 457V	198 - 264V	-	-
Nominal voltage 60Hz	208-230V - 1ph	208-230V - 3ph	460V - 3ph	-	575V - 3ph	380V - 3ph
Voltage range 60Hz	187 - 253V	187 - 253V	414 - 506V	-	517 - 632V	342 - 418V

Wiring connections

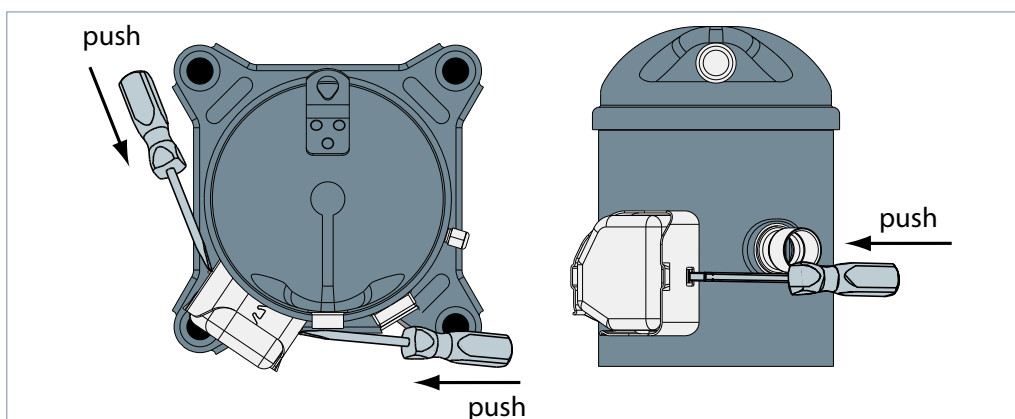
MLZ scroll compressors will only compress gas while rotating counter-clockwise (when viewed from the compressor top). Since single-phase motors will start and run in only one direction, reverse rotation is not a major consideration. Three-phase motors, however, will start and run in either direction, depending on the phase angles of the supplied power. Care must be taken during installation to ensure that the compressor

operates in the correct direction (see “Phase sequence and reverse rotation protection”). The drawings below show electrical terminal labelling and should be used as a reference when wiring the compressor. For three phase applications, the terminals are labelled T1, T2, and T3. For single-phase applications the terminals are labelled C (common), S (start), and R (run).


Terminal cover mounting

The terminal cover and gasket should be installed prior to operation of the compressor. Respect the “up” marking on gasket and cover and ensure

that the two outside tabs of the cover engage the terminal box.

Terminal cover removal

IP rating

The compressor terminal box IP rating according to IEC 529 is **IP22** for all models. IP ratings is only valid when correctly sized cable glands of the IP rating is applied.

- First numeral, level of protection against contact and foreign objects
2 protection against object size over 12.5mm (1/2 inch) (fingers of similar)
- Second numeral, level of protection against water
2 protection against dripping water when tilted up to 15°

The IP rating can be upgraded to IP54 with accessory kit (see section Spare parts & Accessories).

Three phase electrical characteristics

Compressor model		LRA	MCC	Max Oper A	Winding resistance (Ohm)		
		A	A	A	T1-T3	T1-T2	T2-T3
Motor voltage code 2 200-220V / 3ph / 50Hz 208-230V / 3ph / 60Hz	MLZ015T2	60	14.5	9.9	1.23	1.67	1.67
	MLZ019T2	95	17.5	13.3	0.87	1.18	1.18
	MLZ021T2	95	17.5	13.6	0.87	1.18	1.18
	MLZ026T2	95	22.0	16.6	0.87	1.18	1.18
	MLZ030T2	120	26.0	19.7	0.67	0.67	0.68
	MLZ038T2	123	26.0	23.5	0.60	0.60	0.61
	MLZ045T2	170	30.0	28.2	0.48	0.46	0.48
	MLZ048T2	190	37.0	30.6	0.43	0.44	0.43
	MLZ058T2	190	40.0	36.1	0.37	0.37	0.37
	MLZ066T2	235	46.0	40.7	0.32	0.32	0.33
MLZ076T2	235	50.0	47.6	0.32	0.32	0.33	
Motor voltage code 4 380-415V / 3ph / 50Hz 460V / 3ph / 60Hz	MLZ015T4	30	7.0	4.9	5.0	6.7	6.7
	MLZ019T4	45	9.5	6.7	3.4	4.7	4.7
	MLZ021T4	45	9.5	6.8	3.4	4.7	4.7
	MLZ026T4	45	11.0	8.3	3.4	4.7	4.7
	MLZ030T4	60	13.0	9.8	2.6	2.6	2.6
	MLZ038T4	70	15.0	11.7	2.3	2.3	2.4
	MLZ045T4	82	15.0	14.1	1.9	1.9	1.8
	MLZ048T4	87	16.0	15.3	1.7	1.7	1.7
	MLZ058T4	95	20.0	18.1	1.4	1.4	1.4
MLZ066T4	110	24.0	20.3	1.3	1.3	1.3	
MLZ076T4	140	25.0	23.9	1.1	1.1	1.1	
Motor voltage code 7 575V / 3ph / 60Hz	MLZ015T7	26	5.5	4.0	7.8	10.6	10.6
	MLZ019T7	38	7.0	5.4	5.4	7.3	7.3
	MLZ021T7	38	8.0	5.5	5.4	7.3	7.3
	MLZ026T7	38	9.0	6.0	5.4	7.3	7.3
	MLZ030T7	42	9.0	7.8	4.4	4.5	4.4
	MLZ038T7	53	11.5	9.4	4.0	3.9	4.0
	MLZ045T7	64	11.5	11.3	2.8	2.9	2.9
	MLZ048T7	67	14	12.3	2.6	2.6	2.5
	MLZ058T7	75	16	14.4	2.3	2.3	2.3
MLZ066T7	95	17	16.3	2.0	2.0	2.0	
MLZ076T7	100	20	19.1	1.7	1.7	1.7	
Motor voltage code 9 380V / 3ph / 60Hz	MLZ015T9	40	7.5	6.0	3.2	4.4	4.4
	MLZ019T9	52	11.5	8.1	2.2	3.0	3.0
	MLZ021T9	52	12	8.3	2.2	3.0	3.0
	MLZ026T9	52	12.5	10.1	2.2	3.0	3.0
	MLZ030T9	81	14	11.8	1.5	1.5	1.5
	MLZ038T9	81	17	14.2	1.5	1.5	1.5
	MLZ045T9	96	20	17.0	1.3	1.3	1.3
	MLZ048T9	110	19	18.5	1.1	1.1	1.1
	MLZ058T9	135	25	21.9	0.91	0.93	0.93
MLZ066T9	135	28	24.6	0.88	0.89	0.87	
MLZ076T9	135	28	28.9	0.88	0.89	0.87	

Single phase electrical characteristics

Compressor model		LRA	MCC	Max.Oper.A	Winding resistance (Ω)	
		A	A	A	Run	Start
Motor code 5 220-240V / 1ph / 50Hz	MLZ015T5	60	19.0	13.8	1.02	1.60
	MLZ019T5	97	23.0	18.3	0.69	1.51
	MLZ021T5	97	25.0	19.5	0.69	1.51
	MLZ026T5	97	26.0	24.2	0.69	1.51
	MLZ030T5	127	32.0	28.9	0.42	1.31
	MLZ038T5	130	38.0	33.9	0.39	1.02
	MLZ042T5	130	40.0	37.1	0.39	1.02
Motor code 1 208-230V / 1ph / 60Hz	MLZ015T1	69	19.0	16.0	0.84	1.70
	MLZ019T1	97	25.0	19.9	0.67	1.57
	MLZ021T1	97	24.5	21.4	0.67	1.57
	MLZ026T1	115	31.5	29.5	0.55	1.47
	MLZ030T1	150	38.0	31.9	0.34	0.90
	MLZ038T1	160	45.0	37.2	0.28	1.76
MLZ042T1	189	60.0	46.6	0.23	0.69	

LRA (Locked Rotor Amp) LRA is the higher average current as measured on a mechanically blocked compressor tested under nominal voltage. LRA is printed on the nameplate.

The LRA value can be used as a rough estimation for the starting current. However in most cases, the real starting current will be lower. Many countries have defined limits for the starting current in domestic use. A soft starter can be applied to reduce starting current.

MCC (Maximum Continuous Current) The MCC is the current at which the internal motor protection trips under maximum load and low voltage conditions.

This MCC value is the maximum at which the compressor can be operated in transient conditions and out of the application envelope. Above this value the overload will switch off to protect the motor.

Max Oper. A (Maximum Operating Amp) The Max Oper. A is the current when the compressor operates at maximum load conditions and 10% below nominal voltage.

This value which is the max rated load current for the compressor is new on the nameplate.

Max Oper. A can be used to select cables and contactors.

In normal operation, the compressor current consumption is always less than the Max Oper. A value. When using the Max Operating Current to define cables and contactors, a tolerance of +5% need to be taken into account.

Winding resistance Winding resistance is the resistance between indicated terminal pins at 25°C (77°F) (resistance value +/- 7%).

Winding resistance is generally low and it requires adapted tools for precise measurement. Use a digital ohm-meter, a '4 wires' method and measure under stabilised ambient temperature. Winding resistance varies strongly with winding temperature ; If the compressor is stabilised at a different value than 25°C (77°F), the measured resistance must be corrected with following formula:

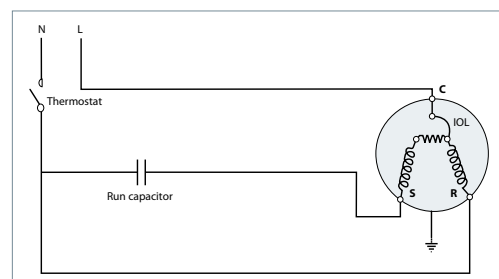
$$R_{t_{amb}} = R_{25^{\circ}\text{C} (77^{\circ}\text{F})} \frac{a + t_{amb}}{a + t_{25^{\circ}\text{C} (77^{\circ}\text{F})}}$$

$t_{25^{\circ}\text{C}}$: reference temperature = 25°C (77°F)
 t_{amb} : temperature during measurement (°C/°F)
 $R_{25^{\circ}\text{C} (77^{\circ}\text{F})}$: winding resistance at 25°C (77°F)
 R_{amb} : winding resistance at t_{amb}
 coefficient a= 234.5

Electrical connections MLZ single phase scroll compressors are designed to operate without any assistance. If starting within the defined voltage range, PSC wiring is sufficient.

PSC wiring PSC wiring with a run capacitor only is the default wiring solution for single phase MLZ compressors.

The start winding (C-S) of the motor remains in circuit through a permanent (run) capacitor. This permanent (run) capacitor is connected between the start winding (S) and the run winding (R).

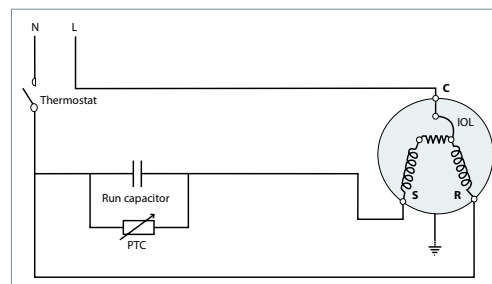


PTCSCR wiring If the starting torque of the PSC wiring is not sufficient due to pressures not fully equalized during the off-cycle or some voltage drop during starting, the PTCSCR wiring might be an option. PTCSCR wiring provides more motor torque than PSC wiring but less than CSR wiring. The PTC is wired in parallel to the run capacitor.

When starting the compressor, the PTC, which is at low resistance, provides additional starting current to the motor's start winding. The current passing through the PTC causes it to heat up and, at a certain temperature, change to a very high resistance. At this time the motor is up to nominal speed and the run capacitor determines the current through the start winding. The PTC remains at high temperature and thus at high resistance as long as power is connected to the compressor. When the compressor is switched off, the PTC cools down to its initial low resistance and becomes available to support the next compressor start.

It is important to provide sufficient time between motor starts to allow the PTC to cool down close to ambient temperature. Depending on the ambient conditions and the cooling of the PTC, this may take about 5 minutes. A restart before the PTC is back to low resistance may be successful or the motor may stall in a locked-rotor state depending on the ambient and system's conditions. A locked-rotor state causes the internal protector to open and would cause even further delay until the overload is reset.

The following PTC types are recommended for the MLZ single phase compressors:



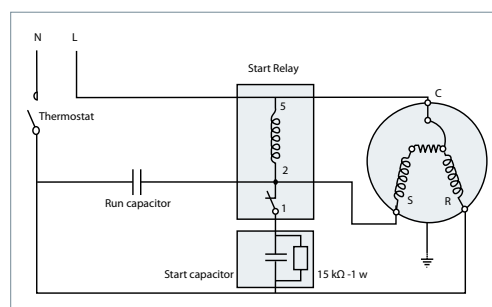
Model	Voltage code 5 220-240 V/1~/50 Hz
MLZ015	305C9* / 305C11*
MLZ021	305C9* / 305C11*
MLZ026	305C9* / 305C11*
MLZ030	305C9* / 305C11*
MLZ038	305C9* / 305C11*

Note: MLZ compressors with PTCSCR are not approved by UL. It is the customers' responsibility to get final approval for the system when required.

CSR wiring

CSR wiring provides additional motor torque at start-up, by the use of a start capacitor in combination with the run capacitor. The start capacitor is only connected during the starting operation, a potential relay is used to disconnect it after the start sequence.

Some applications with high differential pressure and start duty as "soft serve ice cream machine" can require CSR wiring. This configuration can also be used to reduce erratic starting at unfavourable conditions such as very low ambient temperature or weak voltage.



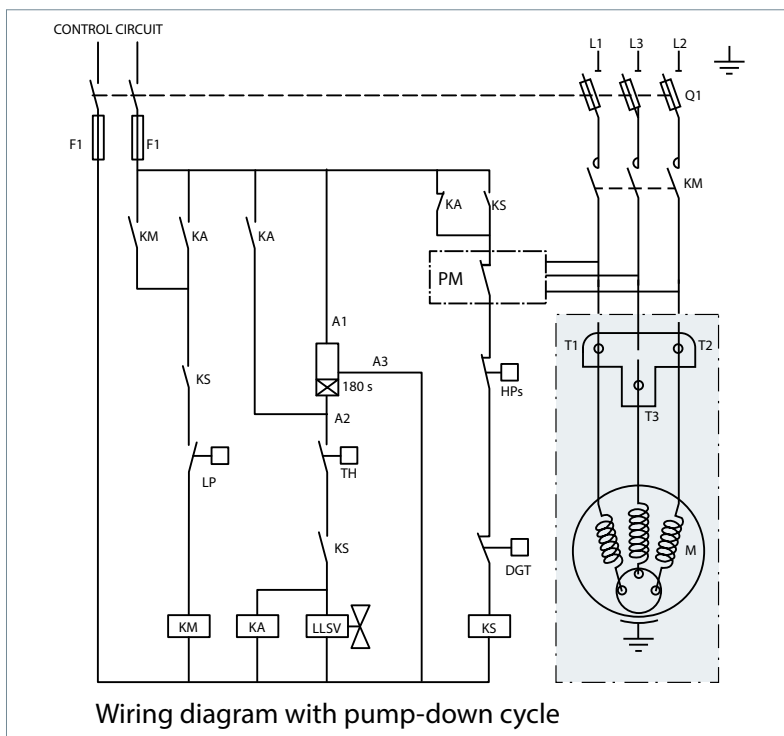
Nominal capacitor value and relays

	Compressor models	Default solution: PSC wiring with run capacitor only		Additional components for CSR wiring	
		PSC wiring		CSR wiring	
		Run capacitor μF		Start capacitor μF	Relay Reference
220-240V / 1 / 50Hz Motor voltage code 5	MLZ015	40		145-175	3ARR3*3AL* RVA3EKL
	MLZ019-021-026	70		145-175	3ARR3*3AL* RVA3EKL
	MLZ030	50		161-193	3ARR3*24AP* RVA3EKL
	MLZ038-042	55		88-108	3ARR3*25AS* RVA4GKL
208-230V / 1 / 60Hz Motor voltage code 1 not provided with the compressor	MLZ015	45		145-175	3ARR3*3M* RVA2ACKL
	MLZ019-021	45		145-175	3ARR3*3M* RVA2ACKL
	MLZ026	60		88-108	3ARR3*3L* RVA2ABKL
	MLZ030	70		161-193	3ARR3*3L* RVA2ABKL
	MLZ038	55		88-108	3ARR3*25AS* RVAA4IKL
	MLZ042	80		189-227	3ARR3*3L* RVA2ABKL

Three phase

Suggested wiring diagram with "one shot" pump down cycle and safety lock-out relay

- Control device..... TH
- Optional short cycle timer (3 min) 180 s
- Control relay KA
- Liquid Line Solenoid valve..... LLSV
- Compressor contactor..... KM
- Phase monitor PM
- Safety lock out relay..... KS
- Pump-down control low pressure switch .. LP
- High pressure safety switch..... HPS
- Fused disconnect Q1
- Fuses F1
- Compressor motor M
- Discharge gas thermostat..... DGT


Internal motor protection

MLZ scroll compressors are equipped with an internal line break protector mounted on the motor windings. The protector is an automatic reset device, containing a snap action bimetal switch.

Internal protectors respond to over-current and overheating. They are designed to interrupt

motor current under a variety of fault conditions, such as failure to start, running overload, and fan failure.

If the internal overload protector trips out, it must cool down to about 60°C (140°F) to reset. Depending on ambient temperature, this may take up to several hours.

Phase sequence and reverse rotation protection

The compressor will only operate properly in a single direction. Use a phase meter to establish the phase orders and connect line phases L1, L2 and L3 to terminals T1, T2 and T3, respectively. For three-phase compressors, the motor will run equally well in both directions. Reverse rotation results in excessive noise; no pressure differential between suction and discharge; and suction line warming rather than immediate cooling. A service technician should be present at initial start-up to verify that supply power is properly phased and that compressor and auxiliaries are rotating in the correct direction.

MLZ015-048 scroll compressors are designed to operate for a maximum of 150 hours in reverse, but as a reverse rotation situation can go unnoticed for longer periods, phase monitors are recommended.

For compressors MLZ058 and larger, phase monitors are required. The selected phase monitor should lock out the compressor from operation in reverse.

At brief power interruptions, reverse rotation can occur with single phase compressors. In this case the internal protector will stop the compressor. It will have to cool down and will restart safely afterwards.

Voltage imbalance



For three-phase applications the voltage measured at the compressor terminals for each

phase should be within $\pm 2\%$ of the average for all phases.

Approvals and certificates

MLZ scroll compressors comply with the following approvals and certificates.

Certificates are listed on the product datasheets: <http://www.danfoss.com/odsg>

CE (European Directive)		All MLZ models
UL (Underwriters Laboratories)		Models with motor code 1, 5 except when using PTCSCR system
Other approvals / certificates		Contact Danfoss

Conformity to directives

Pressure equipment directive 2014/68/EU
Machinery directive 2006/42/EC annex II b

Low voltage directive 2014/35/EU
Electromagnetic compatibility 2014/30/EU

Products	MLZ 015 to 076
Refrigerating fluids	Group 2
Category PED	I
Evaluation module	no scope
Service temperature - Ts	-35°C (-31°F) < Ts < 55°C (131°F)
Service pressure (low side) - Ps	26.17bar(g) (369PSI)
Declaration of conformity	contact Danfoss
Marking of conformity	CE

Internal free volume

Products	Internal free volume at LP side without oil
MLZ 015-026	1.85 litre (113 in. ³)
MLZ 030-048	3.44 litre (210 in. ³)
MLZ 058-076	6.15 litre (375 in. ³)

The scroll compressor application range is influenced by several parameters which need to be monitored for a safe and reliable operation. These parameters and the main recommendations for good practice and safety devices are explained hereunder.

- **Refrigerant and lubricants**
- **Motor supply**
- **Compressor ambient temperature**
- **Application envelope** (evaporating temperature, condensing temperature, return gas temperature)

Refrigerant and lubricants
General information

When choosing a refrigerant, different aspects must be taken into consideration:

- Legislation (now and in the future)
- Safety
- Application envelope in relation to expected running conditions
- Compressor capacity and efficiency
- Compressor manufacturer recommendations & guidelines

Additional points could influence the final choice:

- Environmental considerations
- Standardisation of refrigerants and lubricants
- Refrigerant cost
- Refrigerant availability

R22

R22 is an HCFC refrigerant and is still a wide use today. It has a low ODP (Ozone Depletion Potential) and therefore it will be phased out in the future. Check local legislation.

When R22 is applied in refrigeration applications it can lead to high discharge temperature. Carefully check all other parameters that can influence the discharge temperature.

R134a

Refrigerant R134a is an HFC refrigerant. R134a has zero ozone depletion potential (ODP = 0) and is commonly accepted as the best R12 alternative. R134a is a pure refrigerant and

has zero temperature glide. For applications with high evaporating and high condensing temperatures, R134a is the ideal choice.

R404A

R404A is an HFC refrigerant. R404A has zero ozone depletion potential (ODP = 0). R404A is especially suitable for low evaporating temperature applications but it can also be applied to medium evaporating temperature applications. R404A is a mixture and has a very

small temperature glide, and therefore must be charged in its liquid phase, but for most other aspects this small glide can be neglected. Because of the small glide, R404A is often called a near-azeotropic mixture.

R507

R507 is an HFO refrigerant with properties comparable to R404A. R507 has no ozone depletion potential (ODP = 0). As with R404A, R507 is particularly suitable for low evaporating

temperature applications but it can also be used for medium evaporating temperature applications. R507 is an azeotropic mixture with no temperature glide.

R407A & R407F

R407A and R407F are two HFC refrigerants with similar properties. Both have a GWP below 2200 and comply with the EU F-gas regulation. They

can be used as alternatives to R404A and R507 refrigerants in MBP application.

R452A

R452A is a HFO refrigerant and has no ozone depletion potential. It has a GWP below 2200 and complies with the EU F-gas regulation.

It can be used as alternative to R404A and R507 refrigerants in MBP application.

R513A

R513A is a HFO refrigerant and has no ozone depletion potential. It has a GWP below 1000 and

complies with the EU F-gas regulation. It can be used as alternative to R134a refrigerant.

Application Guidelines Operating conditions

R448A & R449A

R448A and R449A are two HFO-based refrigerants with similar properties. Both have a GWP below 1500 and comply with the EU F-gas regulation. They can be used as alternatives to R404A and R507 refrigerants in MBP application. R448A&R449A have zero ozone depletion potential(ODP=0). R448A&R449A are especially

suitable for low evaporating temperature applications but they can also be applied to medium evaporating temperature applications. R448A&R449A are mixtures and have big temperature glide, and therefore must be charged in their gas phase.

Designation	Composition	ODP	GWP	Safety group	Boiling temp °C/°F	Temp glide °C/°F	Critical temp °C /°F	Critical pressure bar	Cond temp @ 26bar °C /°F
R22	R22	0.055	1760	A1	-41.1 (-41.98°F)	0 (0°F)	96 (204.8°F)	46.72	64.2 (147.56°F)
R134a	R134a	0	1300	A1	-26.4 (-15.52°F)	0 (0°F)	101 (213.8°F)	38.73	80.2 (176.36°F)
R404A	52% R143a - 44% R125 - 4% R134a	0	3943	A1	-45.5 (-49.9°F)	0.8 (1.44°F)	73 (163.4°F)	35.93	57.6 (135.68°F)
R507	50% R134a - 50% R125	0	3985	A1	-46.7 (-52.06°F)	0 (0°F)	71 (159.8°F)	35.77	56.2 (133.16°F)
R407A	40% R134a - 40% R125 - 20% R32	0	1923	A1	-45.1 (-49.18°F)	6.5 (11.7°F)	83 (181.4°F)	42.14	60.6 (141.08°F)
R407F	40% R134a - 30% R125 - 30% R32	0	1674	A1	-39.7 (-39.46°F)	6.4 (11.72°F)	83 (181.4°F)	44.42	58.5 (137.3°F)
R448A	21% R134a - 20% R1234yf 26% R125 - 26% R32 - 7% R1234ze	0	1273	A1	-46.1 (-50.98°F)	6.1 (10.98°F)	83.7 (182.66°F)	43.29	59.8 (139.64°F)
R449A	24.3% R32 - 24.7% R125 25.3% R1234yf - 25.7% R134a	0	1282	A1	-45.7 (-50.26°F)	6.0 (10.8°F)	83.9 (183.02°F)	43.43	59.9 (139.82°F)
R452A	30% R1234yf- 59% R125- 11% R32	0	1945	A1	-47 (-52.6°F)	3.8 (6.8°F)	77.9 (172.22°F)	41.29	54.3 (129.74°F)
R513A	44% R134a - 56% R1234yf	0	573	A1	-29.6 (-21.3°F)	0 (0°F)	97.7 (207.9°F)	34.55	83 (181.4°F)

POE

The POE oil RL46HB(215PZ) is an ISO VG 46 synthetic polyol ester (POE) lubricant formulated specifically for use in refrigeration and air-conditioning compressors using HFC refrigerants. This product provides effective wear protection for steel and aluminum surfaces for increased system life and improved efficiency and is suitable for both initial fill and service fill. The combination of low temperature characteristics and unparalleled chemical and thermal stability

enable the use of RL46HB over a wide operating temperature range. As there could be also some MLZ with PVE compressor in field, the MLZ(A) with POE compressor could replace it. As PVE oil is fully miscible with POE, Danfoss recommends the POE oil(RL46HB) regardless of oil charge in the compressor. Replacement POE RL46HB oil is available for topping up or replacing oil in the field (see section "Accessory").

Application Guidelines

Operating conditions

Motor supply

MLZ scroll compressors can be operated at nominal voltages as indicated in table section "Motor voltage". Under-voltage and over-voltage operation is allowed within the indicated voltage

ranges. In case of risk of under-voltage operation, special attention must be paid to current draw and start assist for single-phase compressors may be required.

Compressor ambient temperature

MLZ compressors can be applied from -35°C (-31°F) to 55°C (131°F) ambient temperature. The compressors are designed as 100 % suction gas

cooled without need for additional fan cooling. Ambient temperature has very little effect on the compressor performance.

High ambient temperature

In case of enclosed fitting and high ambient temperature it's recommend to check the temperature of power wires and conformity to their insulation specification.

In case of safe tripping by the internal compressor overload protection the compressor must cool down to about 60°C (140°F) before the overload will reset. A high ambient temperature can strongly delay this cool-down process.

Low ambient temperature

Although the compressor itself can withstand low ambient temperature, the system may require specific design features to ensure safe

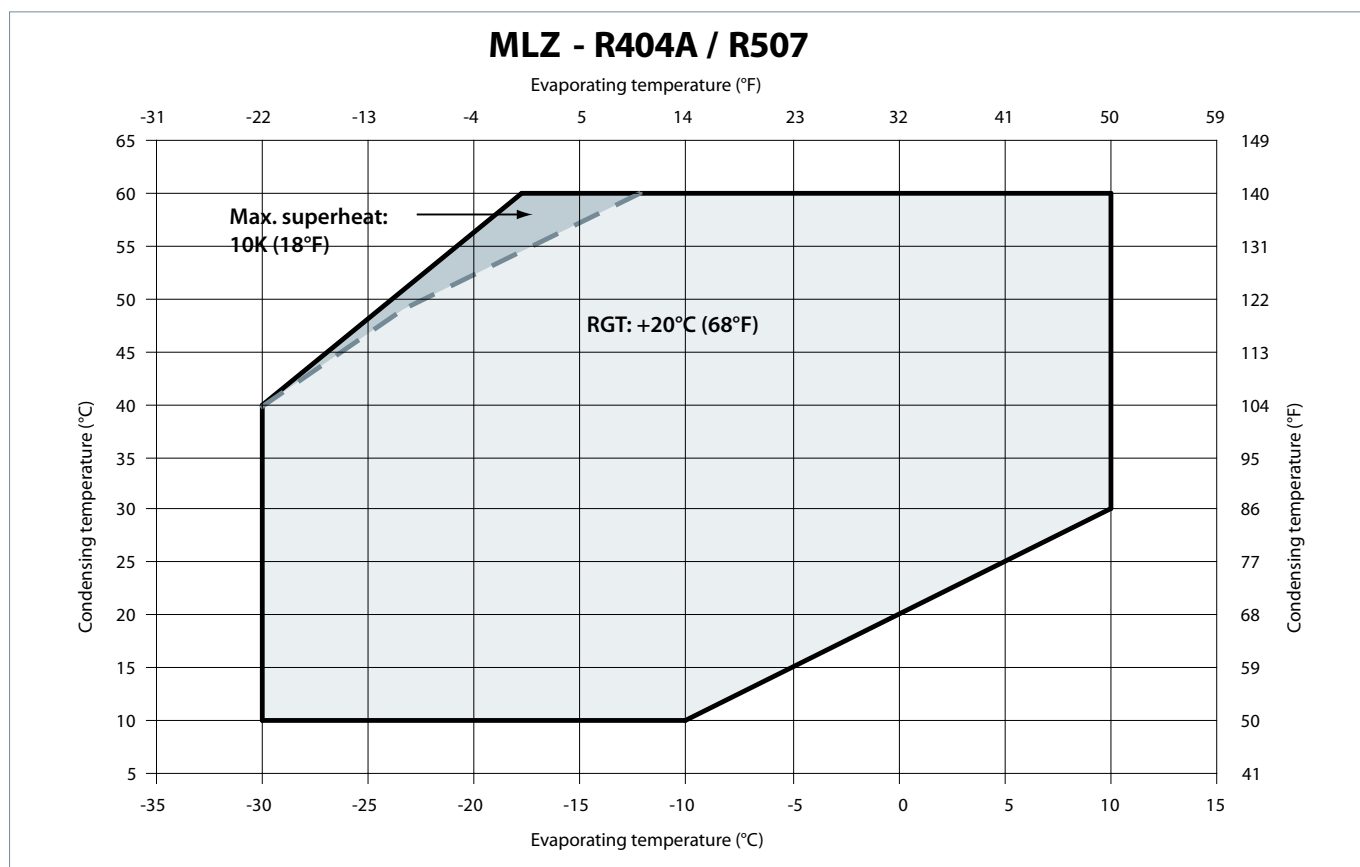
and reliable operation. See section 'Specific application recommendations'.

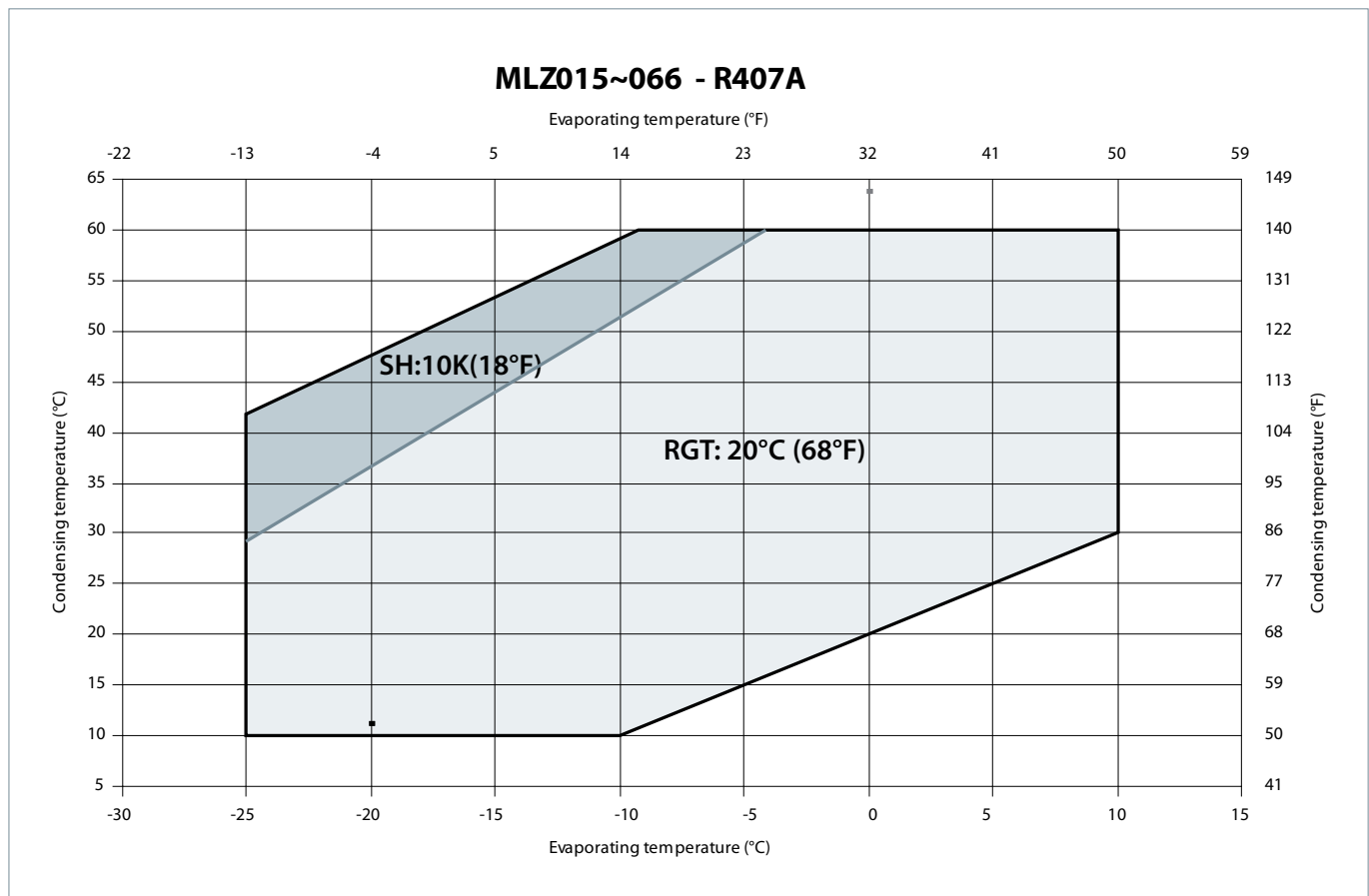
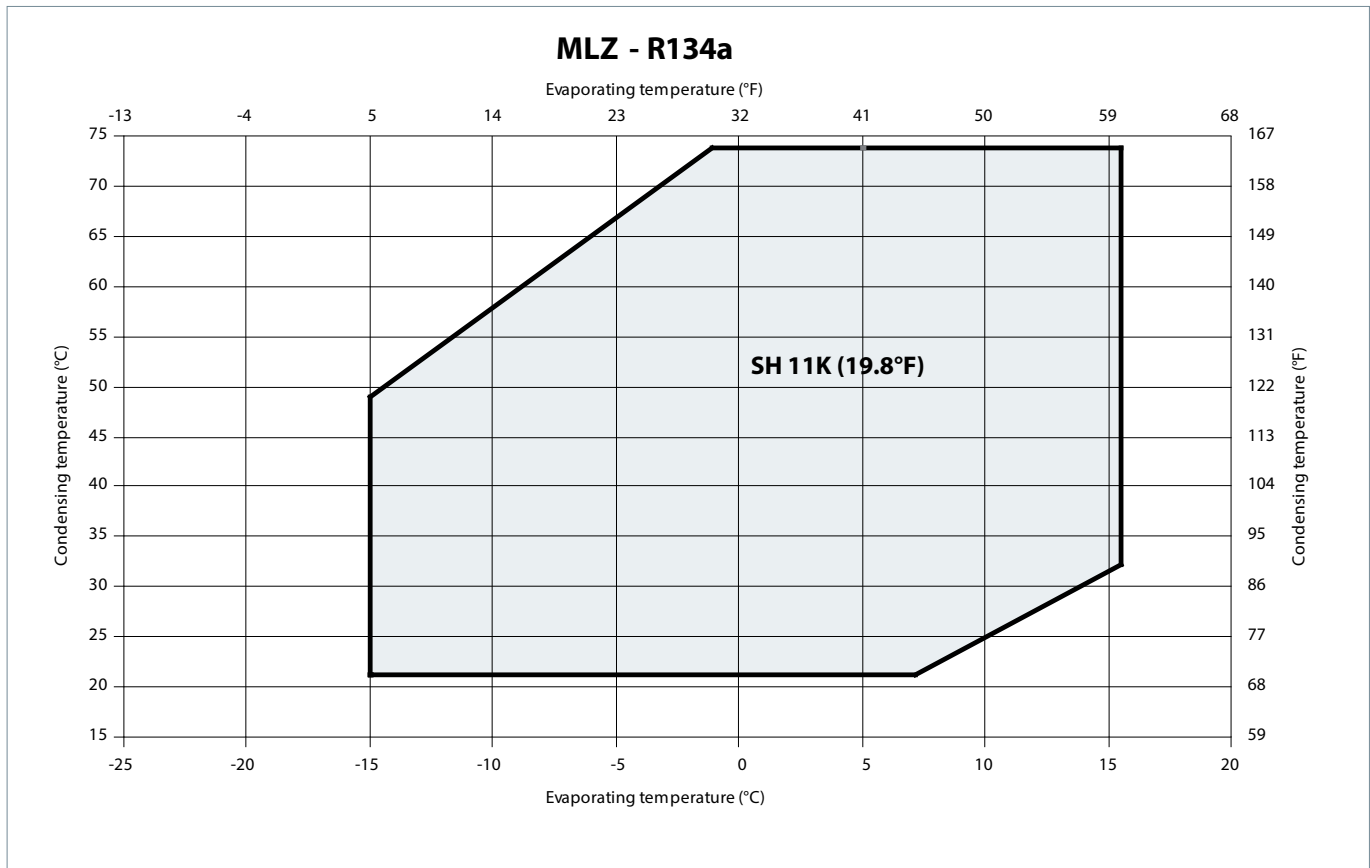
Application envelope

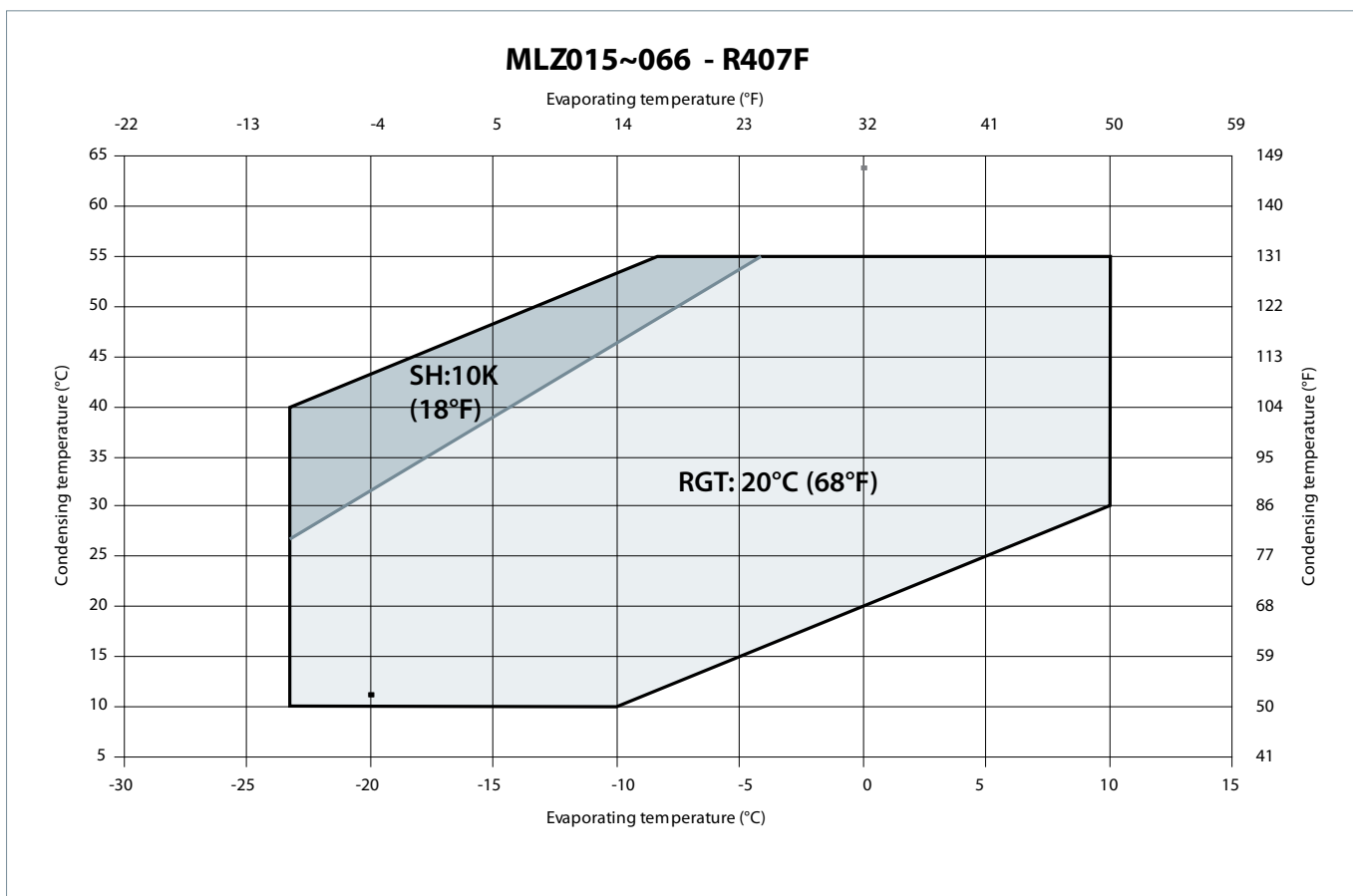
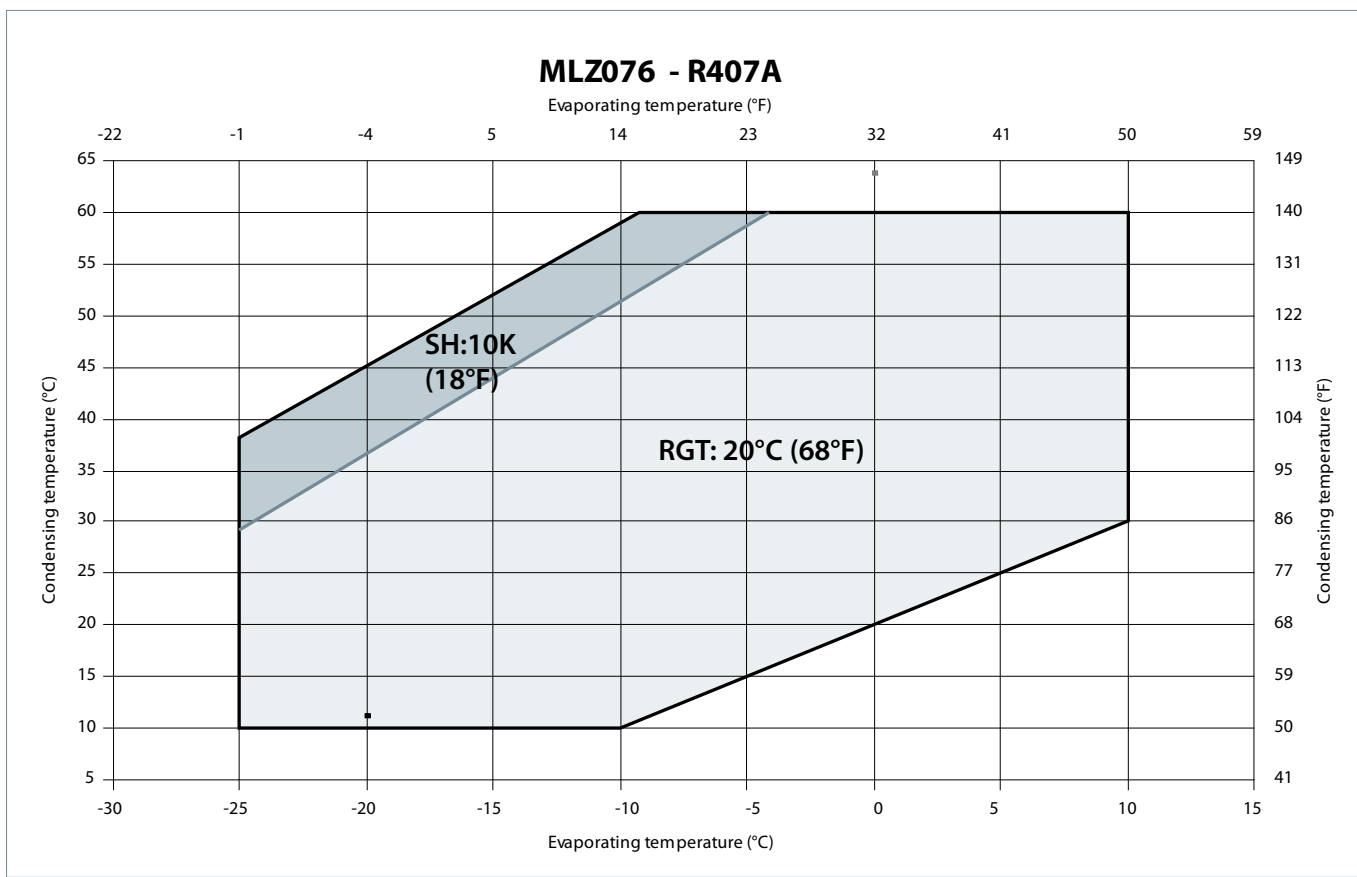
The operating envelopes for MLZ scroll compressors are given in the figures below, where the condensing and evaporating temperatures represent the range for steady-state operation. Under transient conditions, such as start-up and defrost, the compressor may operate outside this envelope for short periods. The figures below show the operating envelopes for MLZ compressors with refrigerants R404A/507, R134a, R22, R407A, R407F, R452A, R513A, R448A and R449A. The operating limits

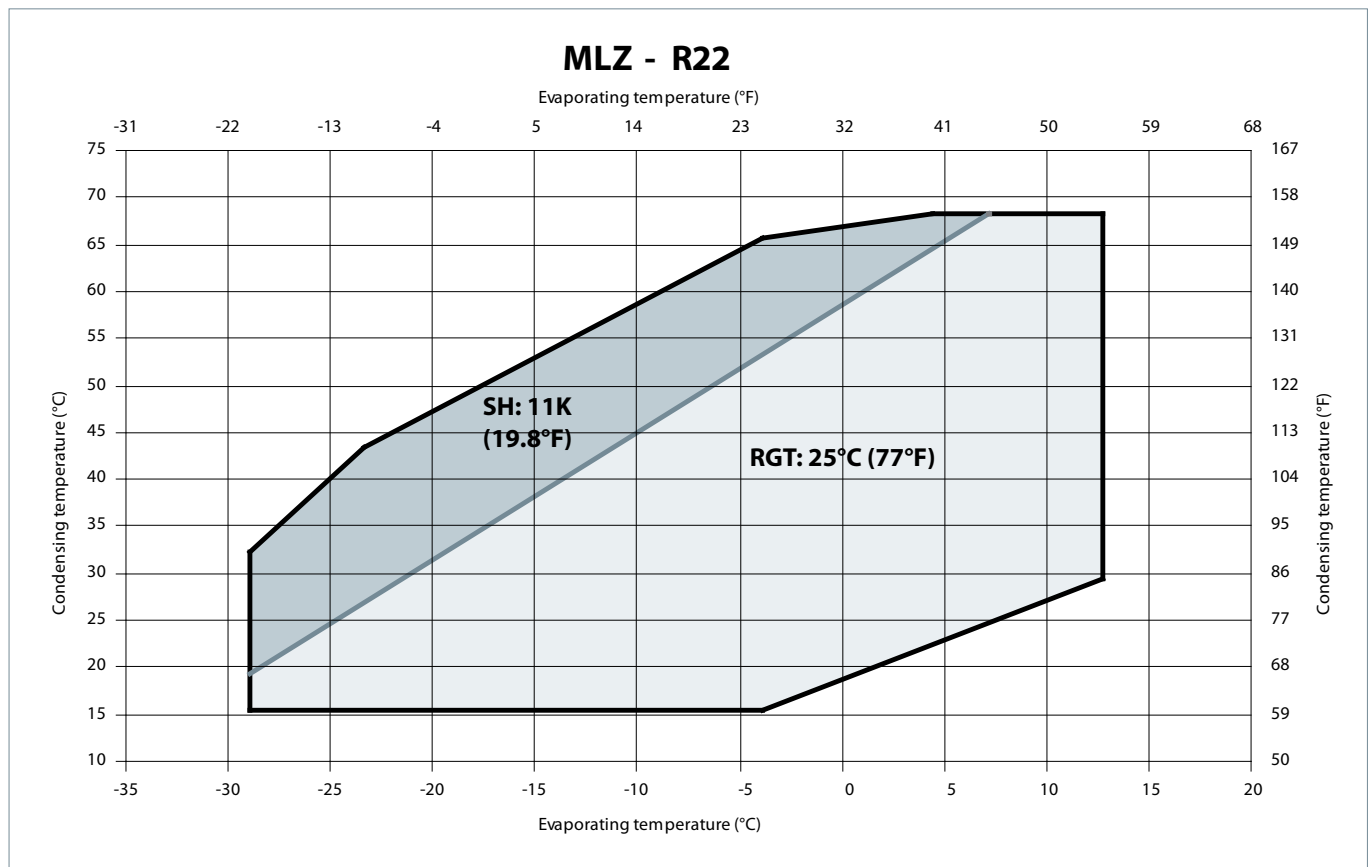
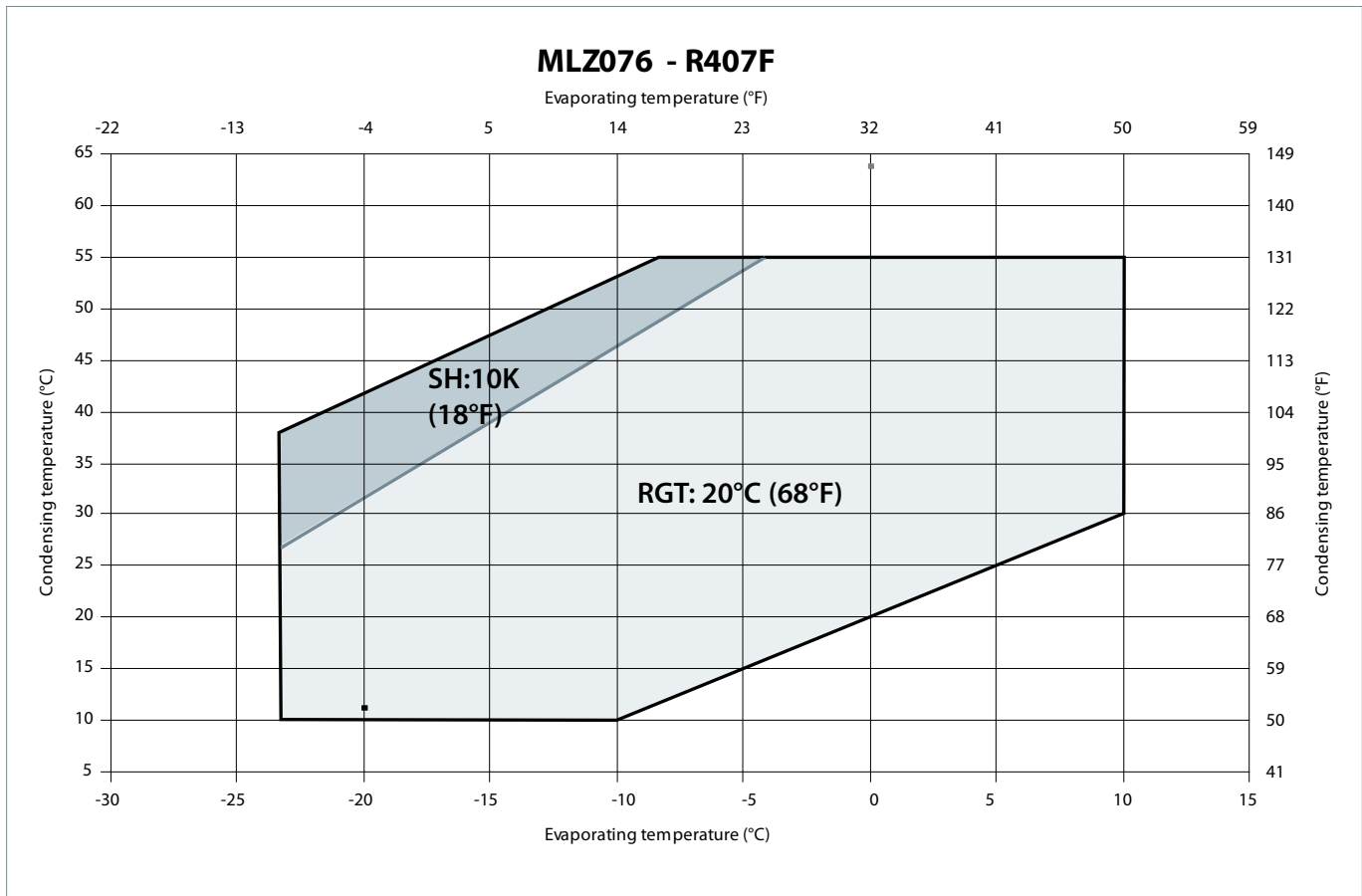
serve to define the envelope within which reliable operations of the compressor are guaranteed:

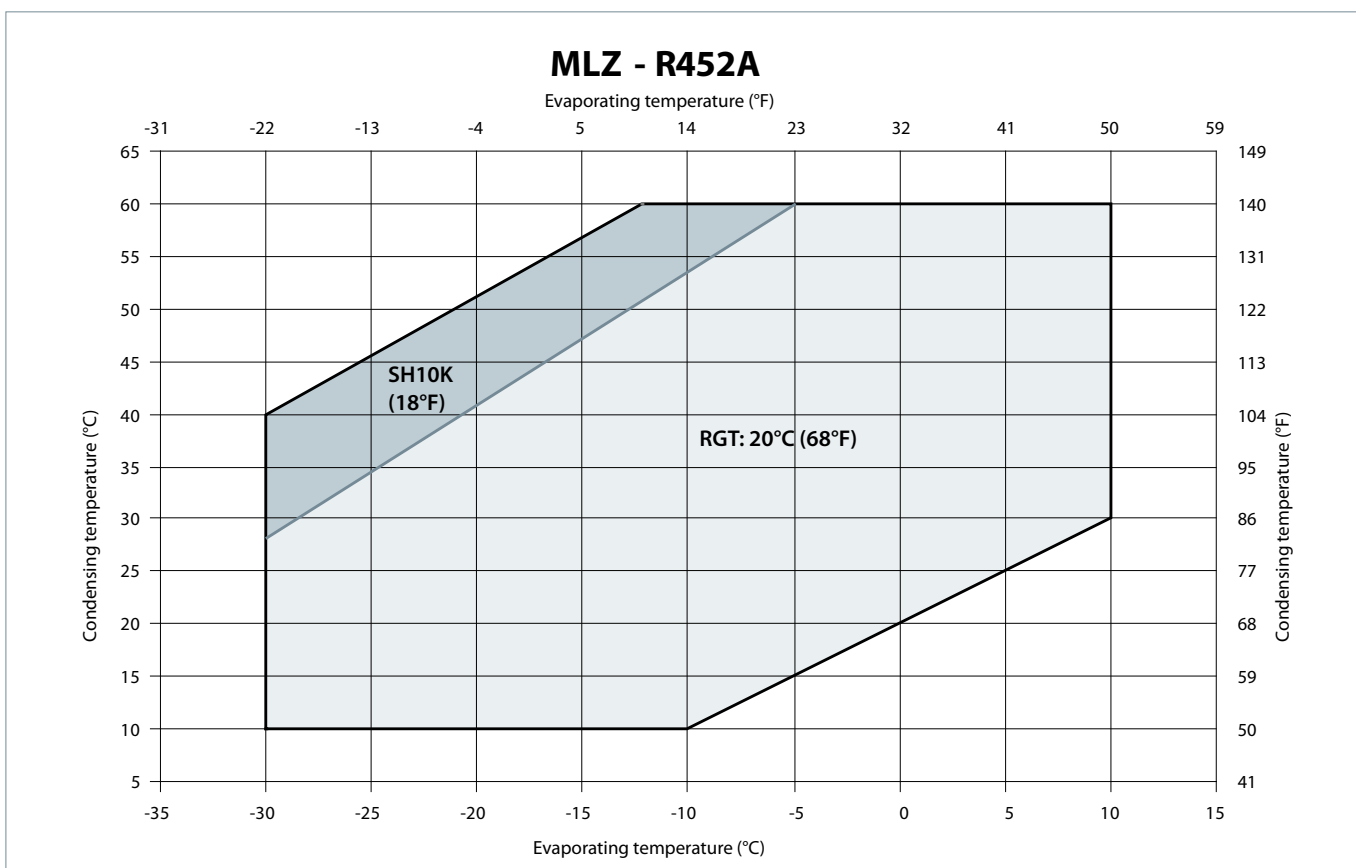
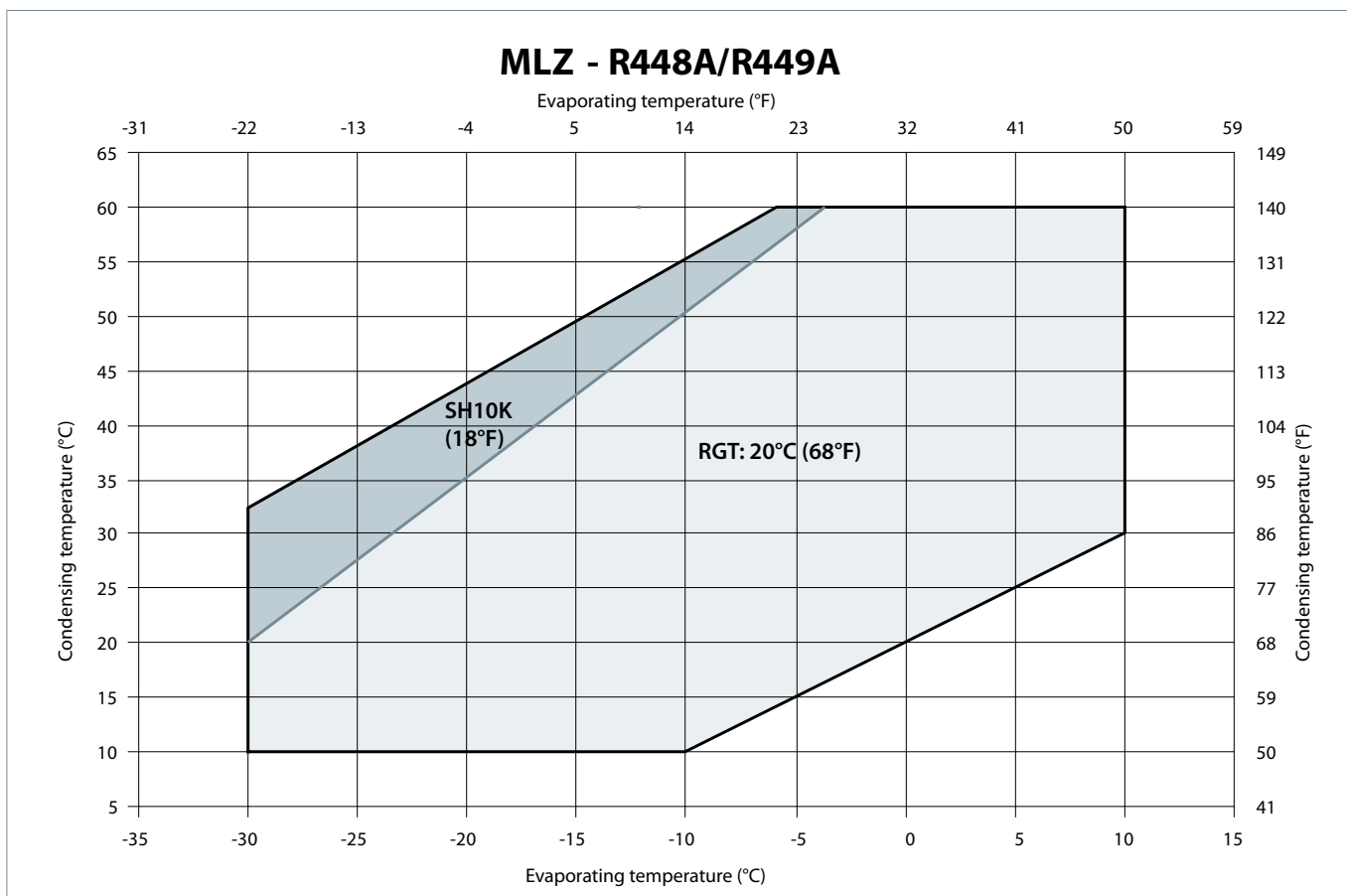
- Maximum discharge gas temperature: +135°C (275°F)
- A suction superheat below 5K (9°F) is not recommended due to the risk of liquid flood back
- Minimum and maximum evaporating and condensing temperatures as per the operating envelopes.

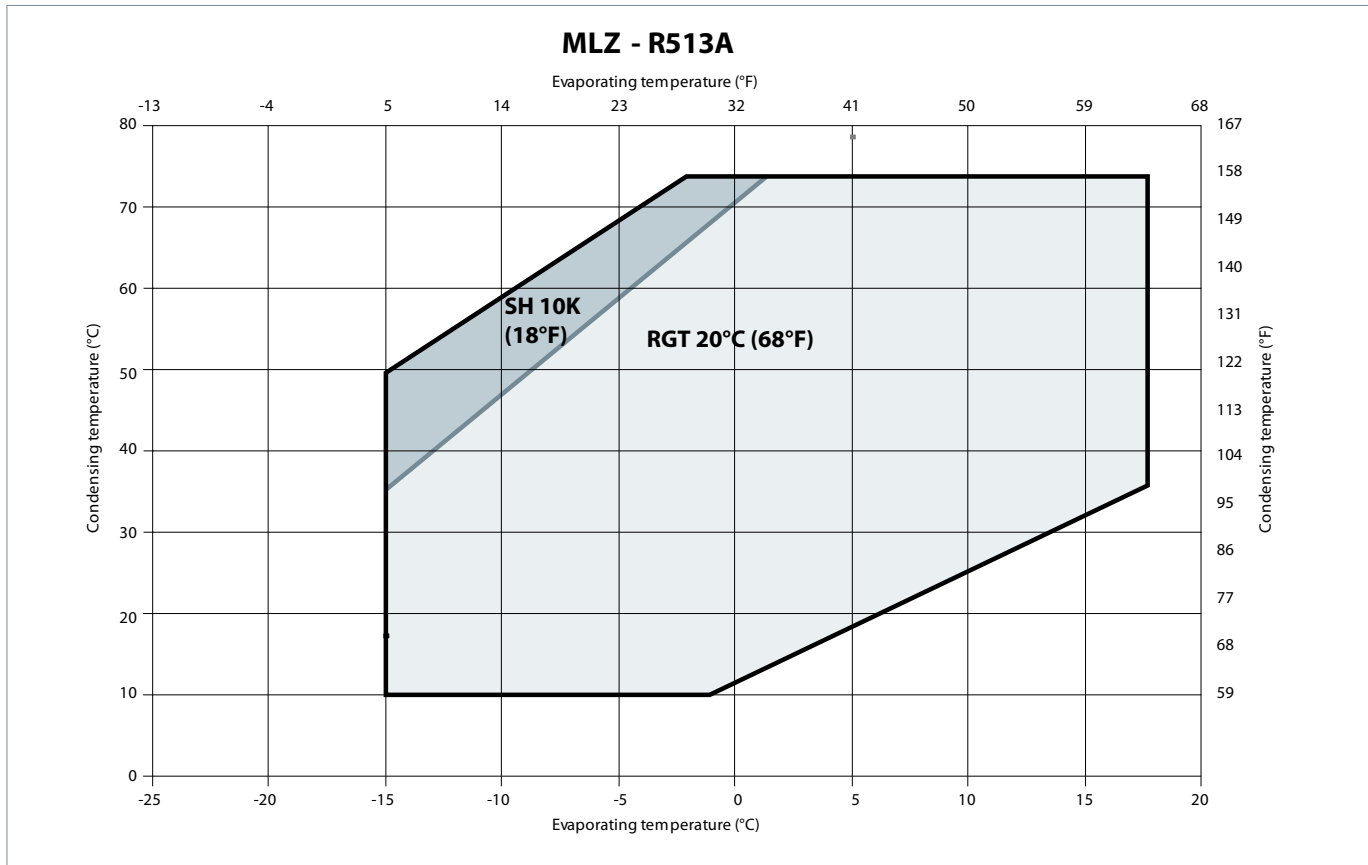












Maximum discharge gas temperature

The discharge temperature depends mainly on the combination of evaporating temperature, condensing temperature and suction gas superheat. Discharge gas temperature should be controlled with an isolated thermocouple or

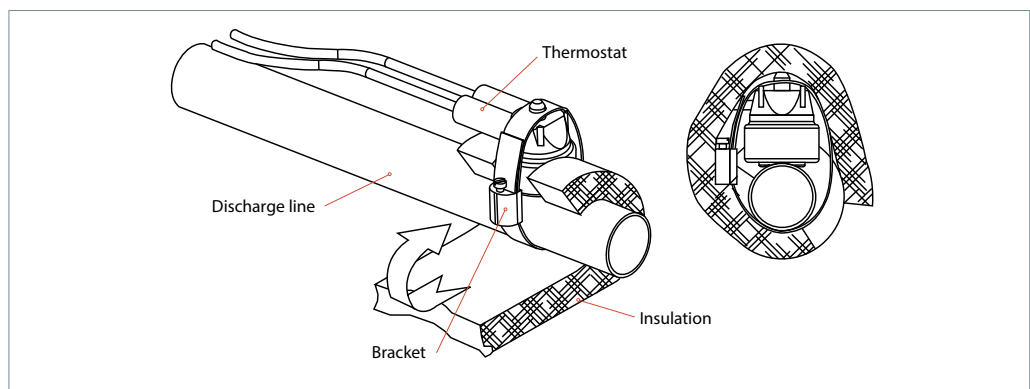
thermostat attached to the discharge line 15 cm (6 inches) from the compressor shell. Maximum discharge gas temperature must not exceed 135°C (275°F) when the compressor is running within the approved operating envelope.

Discharge gas temperature protection (DGT)

DGT protection is required if the high and low pressure switch settings do not protect the compressor against operations beyond its specific application envelope. Please refer to the examples below, which illustrate where DGT protection is required (n°1) and where it is not (n°2).

The compressor must not be allowed to cycle on the discharge gas thermostat. Continuous operations beyond the compressor’s operating range will cause serious damage to the compressor!

A DGT accessory is available from Danfoss: refer to section “Spare parts & accessories”.



High and low pressure protection

		R22	R404A	R134a	R407A	R407F	R448A,449A	R452A	R513A	
Working pressure range high side	bar (g) / psi (g)	7.0 - 27.9 (102 - 405)	7.2 - 27.7 (104 - 395)	4.9 - 22.1 (71.2 - 321)	6.0 - 25.6 (87 - 371)	6.3 - 23.9 (91.3 - 347)	6.1 - 26.0 (88.2 - 522.4)	6.5 - 26.4 (94.9 - 382.3)	3.3 - 21.5 (47.9 - 312)	
Working pressure range low side	bar (g) / psi (g)	0.7 - 6.4 (10.3 - 92.8)	1.0 - 7.2 (15.1 - 104)	0.6 - 4.0 (9.3 - 58)	0.9 - 6.0 (13 - 87)	1.1 - 6.3 (16 - 91.3)	0.6 - 6.1 (8.7 - 88.2)	0.8 - 6.5 (11.1 - 94.9)	0.7 - 4.5 (10.2 - 65.3)	
Maximum high pressure safety switch setting	bar (g) / psi (g)	29.8 (432)	29.7 (431)	23.6 (342)	26.8 (389)	25.1 (364)	28.0 (406)	28.0 (406)	23.0 (334)	
Minimum low pressure safety switch setting ①	bar (g) / psi (g)	0.5 (7.4)	0.8 (11.6)	0.5 (6.5)	0.7 (10.1)	0.9 (13)	0.4 (5.8)	0.5 (7.4)	0.5 (7.4)	
Recommended pump-down switch settings	1.5 bar (7.3 psi) below nominal evaporating pressure									
Minimum low pressure pump-down switch setting	bar (g) / psi (g)	0.9 (13)	1.3 (19)	0.9 (13)	0.9 (13)	1.1 (16)	0.82 (11.9)	0.9 13	0.9 13	
Maximum testing pressure	bar (g) / psi (g)	31 (450)								

① LP safety switch shall never have time delay.

High pressure

MLZ015-048 scroll compressors are equipped with an internal pressure relief valve (IPRV), for protection against blocked condenser and fan failure conditions (IPRV setting 27-34 bar (464 psi ± 58) differential pressure HP / LP). Still, a high pressure (HP) safety switch is recommended.

The high-pressure switch can be set to lower values depending on the application and ambient conditions. The HP switch must either be placed in a lockout circuit or consist of a manual reset device to prevent cycling around the high-pressure limit. If a discharge valve is used, the HP switch must be connected to the service valve gauge port, which must not be isolated.

MLZ058-076 scroll compressors are not equipped with an internal pressure relief valve; therefore a high pressure switch is required to shut down the compressor should the discharge pressure exceed the values shown in the table above.

Low pressure

A low pressure (LP) safety switch is recommended. MLZ scroll compressors exhibit high volumetric efficiency and may draw very low vacuum levels, which could induce scroll instability and electrical arcing at the internal cluster. The minimum low-pressure safety switch setting is given in the above table. For systems

without pump-down, the LP safety switch must either be a manual lockout device or an automatic switch wired into an electrical lockout circuit. The LP switch tolerance must not allow for vacuum operations of the compressor. LP switch settings for pump-down cycles with automatic reset are also listed in the table above.

On/off cycling (cycle rate limit)

Depending on the application, a number higher than 12 starts per hour can reduce the service life of the motor-compressor unit. A one-minute time out is recommended.

of 2 minutes so as to provide for sufficient motor cooling after start-up along with proper oil return. Note that the oil return may vary since it depends upon system design.

The system must be designed in a way that provides a minimum compressor running time

Danfoss recommends a restart delay timer to limit compressor cycling.

General

Successful application of scroll compressors is dependent on careful selection of the compressor for the application. If the compressor is not correct for the system, it will operate

beyond the limits given in this manual. Poor performance, reduced reliability, or both may result.

Essential piping design considerations

Proper piping practices should be employed to ensure adequate oil return, even under minimum load conditions with special consideration given to the size and slope of the tubing coming from the evaporator. Tubing returns from the evaporator should be designed so as not to trap oil and to prevent oil and refrigerant migration back to the compressor during off-cycles.

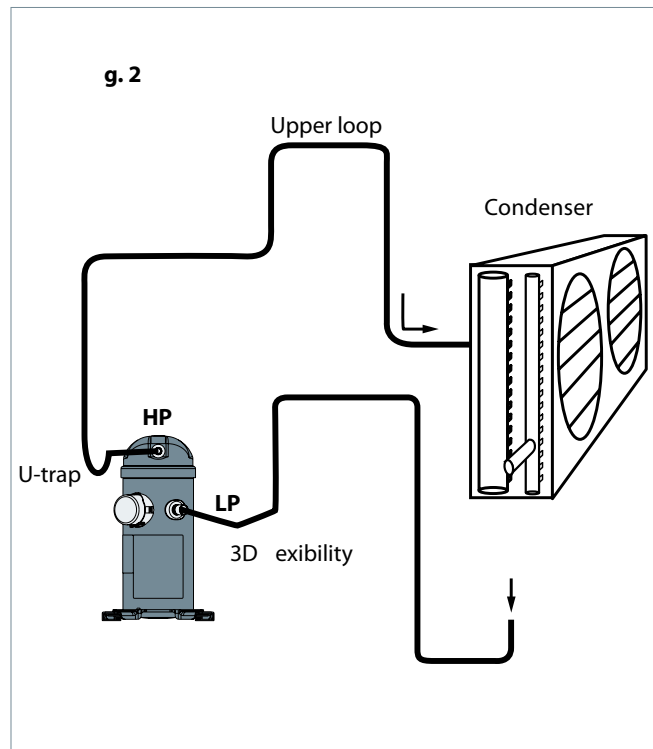
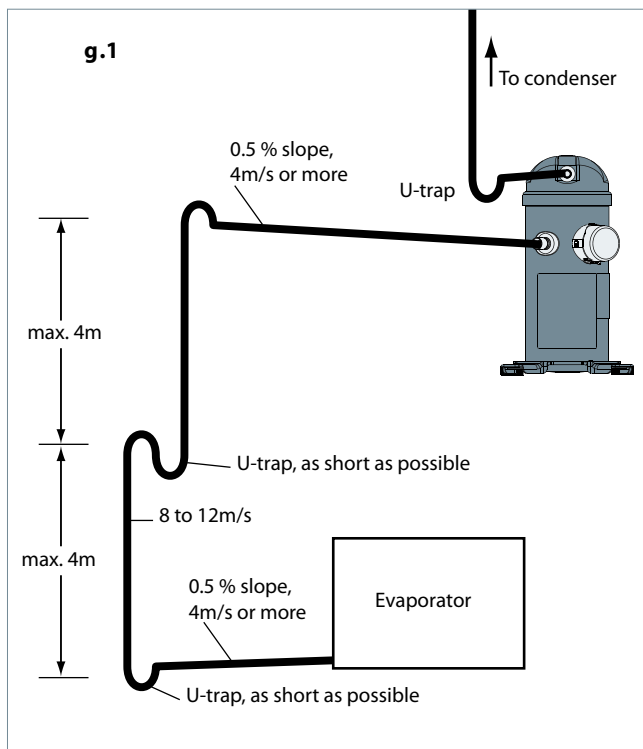
If the evaporator lies above the compressor the addition of a pump-down cycle is strongly recommended. If a pump-down cycle were to be omitted, the suction line must have a loop at the evaporator outlet to prevent refrigerant from draining into the compressor during off-cycles.

If the evaporator were situated below the compressor, the suction riser must be trapped to ensure the oil return to the compressor (see fig.1).

When the condenser is mounted at a higher position than the compressor, a suitably sized "U"-shaped trap close to the compressor is necessary to prevent oil leaving the compressor

from draining back to the discharge side of the compressor during off cycle. The upper loop also helps avoid condensed liquid refrigerant from draining back to the compressor when stopped (see fig. 2). The maximum elevation difference between the indoor and outdoor section cannot exceed 8 m. System manufacturers should specify precautions for any applications that exceed these limits to ensure compressor reliability.

Piping should be designed with adequate three-dimensional flexibility (figure 2). It should not be in contact with the surrounding structure, unless a proper tubing mount has been installed. This protection proves necessary to avoid excess vibration, which can ultimately result in connection or tube failure due to fatigue or wear from abrasion. Aside from tubing and connection damage, excess vibration may be transmitted to the surrounding structure and generate an unacceptable sound level within that structure as well (for more information on sound and vibration, see the section on: "Sound and vibration management").



Refrigerant charge limit

MLZ scroll compressors can tolerate liquid refrigerant up to a certain extend without major problems. However, excessive liquid refrigerant in the compressor is always unfavourable for service life. Besides, the installation cooling capacity may be reduced because of the evaporation taking place in the compressor and/or the suction line instead of the evaporator. System design must be such that the amount of liquid refrigerant in the

compressor is limited. In this respect, follow the guidelines given in the section: "essential piping design recommendations" in priority. Use the tables below to quickly evaluate the required compressor protection in relation with the system charge and the application. More detailed information can be found in the paragraphs hereafter. Please contact Danfoss for any deviation from these guidelines.

Model	Refrigerant charge limit
MLZ015-026	3.6 kg (8 lb)
MLZ030-048	5.4 kg (12 lb)
MLZ058-076	7.2 kg (16 lb)

Depending on test results, crankcase heaters, Liquid Line Solenoid Valve, pump down or suction accumulator must be applied see below.

	BELOW charge limit	ABOVE charge limit
Packaged units	<input checked="" type="checkbox"/> No test or additional safeties required	REQ Off cycle migration test REQ Liquid flood back test
System with remote heat exchanger	REC Off cycle migration test	REQ Off cycle migration test REQ Liquid flood back test
	REC Recommended REQ Required <input checked="" type="checkbox"/> No test or additional safeties required	

Note: for special conditions such as low ambient temperature, low load operation or brazed plate heat exchangers please refer to corresponding sections

Off-cycle migration

Off-cycle refrigerant migration is likely to occur when the compressor is located at the coldest part of the installation, when the system uses a bleed-type expansion device, or if liquid could migrate from the evaporator into the compressor sump by gravity. If too much liquid refrigerant accumulates in the sump it will saturate the oil and lead to a flooded start: when the compressor starts, the refrigerant evaporates abruptly

under the sudden decrease of the bottom shell pressure, causing the oil to foam. In extreme situations, this might result in too much oil leaving the compressor, which must be avoided as it causes irreversible damages due to possible lack of lubrication. MLZ scroll compressors can tolerate occasional flooded starts as long as the system has been evaluated.

A suitable test to evaluate the risk of off-cycle migration is the following:

- Stabilize the non running system at 5°C (41°F) ambient temperature.
- Raise the ambient temperature to 20°C (68°F) and keep it for 10 minutes.
- Start the compressor and monitor sump temperature, sight glass indication and sound level.

The presence of liquid in the crankcase can be easily detected by checking the sump level through the oil sight glass. Foam in the oil sump indicates a flooded start. A noisy start, oil loss from the sump and sump cool down are indications for migration. Depending on the amount of migration graduate measures shall be taken:

- **Crankcase heater**
- **Liquid line solenoid valve**
- **Pump down cycle**

Crankcase heater: when the compressor is idle, the oil temperature in the sump must be maintained at no lower than 10K (18°F) above the saturation temperature of the refrigerant on the low-pressure side. This requirement ensures that the liquid refrigerant is not accumulating in the sump. A crankcase heater is only effective if capable of sustaining this level of temperature

difference. Tests must be conducted to ensure that the appropriate oil temperature is maintained under all ambient conditions (temperature and wind). Below -5°C (23°F) ambient temperature and a wind speed of above 5m/sec (16ft/s), it's recommended to thermally insulated the heaters in order to limit the surrounding energy losses.

Due to the Danfoss scroll compressors inherent ability to handle liquid refrigerant, crankcase heaters are not required when the system charge does not exceed the recommended maximum charge.

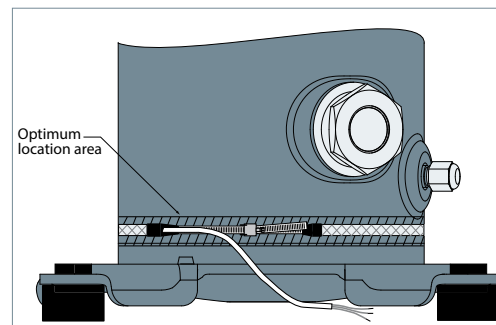
Since the total system charge may be undefined, a crankcase heater is recommended on all systems with remote heat exchangers. In addition, any system containing a refrigerant charge in excess of the maximum recommended system charge for compressors requires a crankcase heater.

Belt-type crankcase heater accessories are available from Danfoss (see section "Spare parts & Accessories").

The heater must be energized whenever the compressor is off.

Provide separate electrical supply for the heaters so that they remain energized even when the machine is out of service (eg. Seasonal shutdown).

It is recommended that the heater be turned on for a minimum of 8 hours prior to starting the compressor.



Liquid line solenoid valve (LLSV): This feature is very convenient and can be used on all types of applications.

An LLSV is used to isolate the liquid charge in the high pressure side, thereby preventing against

charge transfer or excessive migration to the compressor during off-cycles. The quantity of refrigerant remaining in the low-pressure side of the system can be further reduced by using a pump-down cycle in association with the LLSV.

Pump-down cycle: Once the system has reached its set point and is about to shut off, the LLSV on the liquid line closes. The compressor then pumps the majority of the refrigerant charge into the high pressure side before the system stops on the low pressure pump-down switch. This step reduces the amount of charge on the low side in order to prevent off-cycle migration.

A pump-down cycle represents one of the most effective ways to protect against the off-cycle migration of refrigerant; however it is only convenient to apply on application with thermostatic control.

Rack application with pressostatic control can use timer delay to empty the evaporators before the stop. Time should be carefully set to not interfere with the low safety pressure switch.

For low pressure pump-down switch settings, refer to section "High and low pressure protection". For suggested wiring diagrams, please see to section "Electrical connections".

Models MLZ015-048 incorporate an internal low leak check valve that is appropriate for pump-down operations. This valve prevents the back flow of refrigerant from the high pressure to the low pressure side through the compressor so pump down conditions can be achieved and maintained.

Models MLZ058-076 are not equipped with this low leak check valve. Under certain conditions, the internal valve may not completely seal, and due to the refrigerant back flow the compressor might restart during pump-down applications. Repeated short cycling can result in a compressor breakdown. It is recommended to install an external magnetic check valve (such as Danfoss Part No. 120Z5046) close to the compressor's discharge connector so the discharge volume is minimized.

A magnetic check valve is recommended for this as it offers the best solution regarding minimal required and maximal pressure drop over the wide application envelope of the MLZ compressors. If a Danfoss NRV check valve is applied it has to be carefully selected for the specific operation conditions of the individual system.

Tests for pump down cycle approval:

- As the pump-down switch setting is inside the application envelope, tests should be carried out to check unexpected cut-out during transient conditions (ie. defrost – cold starting). When unwanted cut-outs occur, the low pressure pump-down switch can be delayed. In this case a low pressure safety switch without any delay timer is mandatory.

- While the thermostat is off, the number of pressure switch resets should be limited to avoid short cycling of the compressor. Use dedicated wiring and an additional relay which allows for one shot pump-down.

The pump-down allows to store all the refrigerant in the high pressure side circuit. On unitary or close-coupled systems, where the system refrigerant charge is expected to be both correct and definable the entire system charge may be stored in the condenser during pump-down if all components have been properly sized.

Other application needs a liquid receiver to store the refrigerant.

Receiver dimensioning requires special attention. The receiver shall be large enough to contain part of the system refrigerant charge but it shall not be dimensioned too large. A large receiver easily leads to refrigerant overcharging during maintenance operation.

Liquid flood back

During normal operation, refrigerant enters the compressor as a superheated vapour. Liquid flood back occurs when a part of the refrigerant entering the compressor is still in liquid state.

A continuous liquid flood back will cause oil dilution and, in extreme situations lead to lack of lubrication and high rate of oil leaving the compressor.

Liquid flood back test - Repetitive liquid flood back testing must be carried out under TXV threshold operating conditions: a high pressure ratio and minimum evaporator load, along with the measurement of suction superheat, oil sump temperature and discharge gas temperature.

should the discharge gas temperature be less than 35K (65°F) above the saturated discharge temperature, this indicates liquid flood back.

During operations, liquid flood back may be detected by measuring either the oil sump temperature or the discharge gas temperature. If at any time during operations, the oil sump temperature drops to within 10K (18°F) or less above the saturated suction temperature, or

Continuous liquid flood back can occur with a wrong dimensioning, a wrong setting or malfunction of the expansion device or in case of evaporator fan failure or blocked air filters.

A suction accumulator providing additional protection as explained hereunder can be used to solve light continuous liquid flood back.

Suction accumulator: a suction accumulator offers protection against refrigerant flood back at start-up, during operations or defrosting by trapping the liquid refrigerant upstream from the compressor. The suction accumulator also protects against off-cycle migration by providing additional internal free volume to the low side of the system.

A suction accumulator must be carefully dimensioned, taking into account the refrigerant charge as well as the gas velocity in the suction line. Depending on the operating conditions it may happen that the recommended connections of the accumulator are one size smaller than the suction line.

Low ambient application
Low ambient start-up

Under cold ambient conditions (<0°C (32°F)), upon start-up the pressure in the condenser may be so low that a sufficient pressure differential across the expansion device cannot be developed to properly feed the evaporator.

As a result, the compressor may go into a deep vacuum, which can lead to compressor failure due to internal arcing and instability in the scroll wraps. Under no circumstances should the compressor be allowed to operate under vacuum. The low-pressure control must be set in accordance with the table from section “High and low pressure control” in order to prevent this from happening.

Early feeding of the evaporator and management of the discharge pressure could help to attenuate these effects.

Low pressure differentials can also cause the expansion device to “hunt” erratically, which might cause surging conditions within the evaporator, with liquid spillover into the compressor. This effect is most pronounced during low load conditions, which frequently occur during low ambient conditions.

Low ambient operations

It is recommended that the unit be tested and monitored at minimum load and low ambient conditions as well. The following considerations should be taken into account to ensure proper system operating characteristics.

The expansion device should be sized to ensure proper control of the refrigerant flow into the evaporator. An oversized valve may result in erratic control. This consideration is especially important in manifolded units where low load conditions may require the frequent cycling of compressors. This can lead to liquid refrigerant entering the compressor if the expansion valve does not provide stable refrigerant super-heat control under varying loads.

The superheat setting of the expansion device should be sufficient to ensure proper superheat levels during low loading periods. A minimum of 5K (9°F) stable superheat is required.

Head pressure control under low ambient conditions: Several possible solutions are available to prevent the risk of compressor to vacuum and low pressure differential between the suction and discharge pressures.

In air-cooled machines, cycling the fans with a head pressure controller will ensure that the fans remain off until the condensing pressure has reached a satisfactory level. Variable speed fans can also be used to control the condensing pressure. In water-cooled units, the same can be performed using a water regulator valve that is also operated by head pressure, thereby ensuring that the water valve does not open until the condensing pressure reaches a satisfactory level. The minimum condensing pressure must be set at the minimum saturated condensing temperature shown in the application envelopes.

Under very low ambient conditions, in which testing has revealed that the above procedures might not ensure satisfactory condensing and suction pressures, the use of a head pressure control valve is recommended. Note: This solution requires extra refrigerant charge, which can introduce other problems. A non-return valve in the discharge line is recommended and special care should be taken when designing the discharge line.

For further information, please contact Danfoss.

Scroll and reciprocating

Unlike the reciprocating compressor, a scroll doesn’t have dead volume. Neither does it have a suction valve causing pressure drop. As a result a scroll compressor has a high volumetric efficiency even at low suction pressure. In systems such as ice makers and milk cooling tanks this high capacity at low temperature shortens the cooling time.

When moving from a reciprocating compressor to a scroll compressor, the selection shall always be made based on cooling capacity at the application rating point. Never make a selection based on equivalent displacement.

Low load operations

The compressor should be run for a minimum period to ensure that the oil has sufficient time to properly return to the compressor sump and

that the motor receives enough cooling under conditions of lowest refrigerant mass flow.

Brazed plate heat exchangers

A brazed plate heat exchanger needs very little internal volume to satisfy the heat transfer requirements. Consequently, the heat exchanger offers very little internal volume for the compressor to draw vapour from the suction side. The compressor can then quickly enter into a vacuum condition. It is therefore important that the expansion device be sized correctly and that a sufficient pressure differential across the expansion device be available to ensure adequate refrigerant feed into the evaporator. This aspect is of special concern when operating the unit under low ambient and load conditions. For further information on these conditions, please refer to the previous sections.

Due to the small volume of the brazed plate heat exchanger, no pump-down cycle is normally required. The suction line running from the heat exchanger to the compressor must be trapped to avoid refrigerant migration to the compressor.

When using a brazed plate condenser heat exchanger, a sufficient free volume for the discharge gas to accumulate is required in order to avoid excess pressure build-up. At least 1 meter of discharge line is necessary to generate this volume. To help reduce the discharge gas volume immediately after start-up, the supply of cooling water to the heat exchanger may be opened before the compressor starts, to remove superheat and condense the incoming discharge gas more quickly.

Water utilising systems

Apart from residual moisture in the system after commissioning, water could also enter the refrigeration circuit during operation. Water in the system shall always be avoided. Not only because it can shortly lead to electrical failure, sludge in sump and corrosion but in particular because it can cause serious safety risks.

Common causes for water leaks are corrosion and freezing.

Corrosion: Materials in the system shall be compliant with water and protected against corrosion.

Freezing: When water freezes into ice its volume expands which can damage heat exchanger walls and cause leaks. During off periods water inside heat exchangers could start freezing when ambient temperature is lower than 0°C (32°F). During on periods ice banking could occur when the circuit is running continuously at too low load. Both situations should be avoided by connecting a pressure and thermostat switch in the safety line.

Starting sound level

During start-up transients it is natural for the compressor sound level to be slightly higher than during normal running. MLZ scroll compressors exhibit very little increased start-up transient sound. If a 3-phase model is miswired, the compressor will run in reverse. Reverse

compressor rotation is characterized by an objectionable sound. To correct reverse rotation, disconnect power and switch any two of the three power leads at the unit contactor. Never switch leads at the compressor terminals.

Running sound level

MLZ are designed with features to reduce the sound level when a compressor is running.

Sound levels are at rated (EN12900 medium temperature) conditions.

Model	50Hz		60Hz	
	Sound power (dBA) Without jacket	Sound power (dBA) With jacket	Sound power (dBA) Without jacket	Sound power (dBA) With jacket
MLZ015	67	57	71	60
MLZ019	67	57	71	60
MLZ021	67	57	71	60
MLZ026	67	59	71	62
MLZ030	69	62	73	65
MLZ038	69	63	74	66
MLZ042	71	63	74	66
MLZ045	71	63	74	66
MLZ048	72	64	74	67
MLZ058	74	66	78	70
MLZ066	74	66	78	70
MLZ076	74	66	78	70

Maximum sound is +5dBA

Stopping sound level

MLZ have a unique discharge valve design that minimizes stopping noise. This results in very low shutdown sound.

Sound generation in a refrigeration system

Typical sound and vibration in refrigeration systems encountered by design and service engineers may be broken down into the following three source categories.

Sound radiation: This generally takes an airborne path.

Mechanical vibrations: These generally extend along the parts of the unit and structure.

Gas pulsation: This tends to travel through the cooling medium, i.e. the refrigerant.

The following sections will focus on the causes and methods of mitigation for each of the above sources.

Compressor sound radiation

For sound radiating from the compressor, the emission path is airborne and the sound waves are travelling directly from the machine in all directions.

The MLZ scroll compressors are designed to be quiet and the frequency of the sound generated is pushed into the higher ranges, which not only are easier to reduce but also do not generate the penetrating power of lower-frequency sound.

Use of sound-insulation materials on the inside of unit panels is an effective means of substantially reducing the sound being transmitted to the outside. Ensure that no components capable of transmitting sound/vibration within the unit come into direct contact with any non insulated parts on the walls of the unit.

Because of the unique design of a full-suction gas & oil cooled motor, compressor body insulation across its entire operating range is possible.

Mechanical vibrations

Vibration isolation constitutes the primary method for controlling structural vibration. MLZ scroll compressors are designed to produce minimal vibration during operations. The use of rubber isolators on the compressor base plate or on the frame of a manifolded unit is very effective in reducing vibration being transmitted from the compressor(s) to the unit. Rubber grommets are supplied with all MLZ compressors. Once the supplied rubber grommets have been properly mounted, vibration transmitted from the compressor base plate to the unit are held to a strict minimum. In addition, it is

extremely important that the frame supporting the mounted compressor be of sufficient mass and stiffness to help dampen any residual vibration potentially transmitted to the frame. The tubing should be designed so as to both reduce the transmission of vibrations to other structures and withstand vibration without incurring any damage. Tubing should also be designed for three-dimensional flexibility. For more information on piping design, please see the section entitled "Essential piping design considerations".

Gas pulsation

The MLZ scroll compressors have been designed and tested to ensure that gas pulsation has been minimized for the most commonly encountered refrigeration pressure ratio. On installations where the pressure ratio lies beyond the typical range, testing should be conducted under all expected conditions and operating

configurations to ensure that minimum gas pulsation is present. If an unacceptable level is identified, a discharge muffler with the appropriate resonant volume and mass should be installed. This information can be obtained from the component manufacturer.

Application Guidelines

Installation

Each MLZ compressor is shipped with printed Instructions for installation. These Instructions can also be downloaded from our web site

www.danfoss.com or directly from:
<http://instructions.cc.danfoss.com>

System cleanliness

The refrigeration system, regardless of the type of compressor used, will only provide high efficiency and good reliability, along with a long operating life, if the system contains solely the refrigerant and oil it was designed for. Any other substances within the system will not improve performance and, in most cases, will be highly detrimental to system operations.

mesh screen and can cause considerable damage within a bearing assembly. The use of highly hygroscopic POE oil in MLZ compressors requires that the oil be exposed to the atmosphere just as little as possible.

The presence of non-condensable substances and system contaminants, such as metal shavings, solder and flux, have a negative impact on compressor service life. Many of these contaminants are small enough to pass through a

During the manufacturing process, circuit contamination may be caused by:

- Brazing and welding oxides,
- Filings and particles from the removal of burrs in pipe-work,
- Brazing flux,
- Moisture and air.

Compressor handling and storage

Compressors are provided with a lifting lug. This lug should always be used to lift the compressor. Once the compressor is installed, the lifting lug should never be used to lift the complete installation. The compressor must be handled

with caution in the vertical position, with a maximum inclination of 15° from vertical. Store the compressor between -35°C (-31°F) and 55°C (131°F), not exposed to rain or corrosive atmosphere.

Compressor mounting

Maximum inclination from the vertical plane, while operating must not exceed 7 degrees. All compressors are delivered with 4 rubber grommets and metal sleeves. Compressors

must always be mounted with these grommets. Recommended torque for mounting bolts: 11Nm (±1Nm) / 100lbf-in (± 10lbf-in).

Compressor holding charge

Each compressor is shipped with a nominal dry nitrogen holding charge between 0.4 bar /6 psi and 0.7 bar / 10 psi, and is sealed with elastomer plugs. The plugs should be removed with care to avoid oil loss when the holding charge is released. Remove the suction plug first and the discharge plug afterwards. The plugs shall

be removed only just before connecting the compressor to the installation in order to avoid moisture entering the compressor. When the plugs are removed, it is essential to keep the compressor in an upright position to avoid oil spillage.

Tube brazing procedure

Do not bend the compressor discharge or suction lines or force system piping into the compressor connections, because this will increase

stresses that are a potential cause of failure. Recommended brazing procedures and material, are described on following page.

Brazing material

For copper suction and discharge fittings, use copper-phosphorus brazing material. Sil-Fos® and other silver brazing materials are also acceptable.

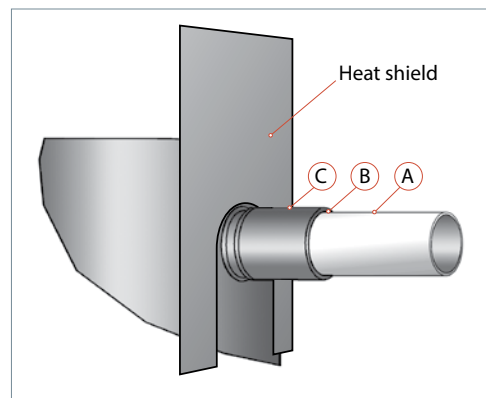
If flux is required for the brazing operation, use coated rod or flux core wire. To avoid system contamination, do not brush flux on.

Compressor connection

When brazing the compressor fittings, do not overheat the compressor shell, which could severely damage certain internal components due to excessive heating. Use of a heat shield and/or a heat-absorbent compound is highly recommended. For brazing the suction and discharge connections, the following procedure is advised:

- Make sure that no electrical wiring is connected to the compressor.
- Protect the terminal box and compressor painted surfaces from torch heat damage (see diagram).
- Use only clean refrigeration-grade copper tubing and clean all connections.
- Purge nitrogen through the compressor in order to prevent against oxidation and flammable conditions. The compressor should not be exposed to the open air for extended periods.
- Use of a double-tipped torch is recommended.
- Apply heat evenly to area (A) until the brazing temperature is reached. Move the torch to area (B) and apply heat evenly until the brazing temperature has been reached there as well, and then begin adding the brazing material. Move the torch evenly around the joint, in applying only enough brazing material to flow the full circumference of the joint.
- Move the torch to area (C) only long enough to draw the brazing material into the joint, but not into the compressor.
- Remove all remaining flux once the joint has been soldered with a wire brush or a wet cloth. Remaining flux would cause corrosion of the tubing.

Ensure that no flux is allowed to enter into the tubing or compressor. Flux is acidic and can cause




substantial damage to the internal parts of the system and compressor.

The POE oil used in MLZ compressors is highly hygroscopic and will rapidly absorb moisture from the air. The compressor must therefore not be left open to the atmosphere for a long period of time. The compressor fitting plugs shall be removed just before brazing the compressor.

⚠ Before eventual unbrazing the compressor or any system component, the refrigerant charge must be removed from both the high and low pressure sides. Failure to do so may result in serious personal injury. Pressure gauges must be used to ensure all pressures are at atmospheric level.

For more detailed information on the appropriate materials required for brazing or soldering, please contact the product manufacturer or distributor. For specific applications not covered herein, please contact Danfoss for further information.

			Brazed connection ODF tube
MLZ015-026	Suction		3/4"
	Discharge		1/2"
MLZ030-045	Suction		7/8"
	Discharge		1/2"
MLZ048	Suction		7/8"
	Discharge		3/4"
MLZ058-076	Suction		1"1/8"
	Discharge		7/8"

Application Guidelines

Installation

Vacuum evacuation and moisture removal

Moisture obstructs the proper functioning of the compressor and the refrigeration system.

Air and moisture reduce service life and increase condensing pressure, and cause excessively high discharge temperatures, which can destroy the lubricating properties of the oil. Air and moisture also increase the risk of acid formation, giving rise to copper plating. All these phenomena can cause mechanical and electrical compressor failure.

For these reasons it's important to perform a vacuum dehydration on the system to remove all residual moisture from the pipe-work after assembly;

MLZ compressors are delivered with < 100ppm moisture level. The required moisture level in the circuit after vacuum dehydration must be < 100ppm for systems with an MLZ.

- Never use the compressor to evacuate the system.
- Connect a vacuum pump to both the LP & HP sides.
- Evacuate the system to a pressure of 500µm Hg / 0.02 in Hg (0.67mbar) absolute.
- Do not use a megohm meter nor apply power to the compressor while it's under vacuum as this may cause internal damage.

Liquid line filter driers

A properly sized & type of drier is required. Important selection criteria include the driers water content capacity, the system refrigeration capacity, and the system refrigerant charge. The drier must be able to reach and maintain a moisture level of 50ppm end point dryness (EPD). Danfoss recommends DML (100% molecular sieve) driers for MLZ compressors (R404A, R507, R134a, R22, R407A, R407F, R448A, R449A, R452A, R513A) with POE oil.

After burn out, remove & replace the liquid line filter drier and install a Danfoss type DAS burnout drier of the appropriate capacity. Refer to the DAS drier instructions and technical information for correct use of the burnout drier on the liquid line.

Refrigerant charging

It is recommended that system charging be done using the weighed charge method, adding refrigerant to the high side of the system. Charging the high and low sides of a system with gas simultaneously at a controlled rate is also an acceptable method. Do not exceed the recommended unit charge, and never charge liquid to the low side.

Vacuum or charge from one side can seal the scrolls and result in a non-starting compressor. When servicing, always ensure that LP/HP pressures are balanced before starting the compressor.

Be sure to follow all government regulations regarding refrigerant reclamation and storage.

Insulation resistance and dielectric strength

Insulation resistance must be higher than 1 megohm when measured with a 500 volt direct current megohm tester.

Each compressor motor is tested at the factory with a high potential voltage (hi-pot) that exceeds the UL requirement both in potential and in duration. Leakage current is less than 0.5 mA.

MLZ scroll compressors are configured with the pump assembly at the top of the shell, and the motor below. As a result, the motor can be partially immersed in refrigerant and oil. The presence of refrigerant around the motor windings will result in lower resistance

values to ground and higher leakage current readings. Such readings do not indicate a faulty compressor, and should not be cause for concern.

In testing insulation resistance, Danfoss recommends that the system be first operated briefly to distribute refrigerant throughout the system. Following this brief operation, retest the compressor for insulation resistance or current leakage.

Never reset a breaker or replace a fuse without first checking for a ground fault (a short circuit to ground). Be alert for sounds of arcing inside the compressor.

Packaging
Single pack

Compressors are packed individually in a cardboard box. They can be ordered in any quantity. Minimum ordering quantity = 1. As far as possible, Danfoss will ship the boxes on full pallets of 8 or 9 compressors.

- Each box also contains following accessories:
- 4 grommets
- 4 assemblies of self tapping US thread bolts, washers and sleeves
- 4 additional sleeves
- 1 screw for earth connection


Industrial pack

Compressors are not packed individually but are shipped all together on one pallet. They can be ordered in quantities of full pallets only, multiples of 12 compressors.

Each industrial pack pallet contains following accessories:

- 4 grommets per compressor
- 4 sleeves per compressor


Packaging details

	Made from CN	Danfoss pallets Optimized for overseas container loading & European storage racks	
	Code number	121L....	
	Pack type	Industrial pack	Single pack
	Compressors per pallet	12	9*
	Static stacking of pallets **	3	3
Shipped accessories	Run capacitor (for single phase models)	Not included	Not included
	Screw for earth connection	Included	Included
	4 grommets per compressor	Included	Included
	4 assemblies of self tapping US thread bolt + washer + sleeve per compressor	Not included	Included
	4 sleeves per compressor	Included	Included

* Quantity for full pallets. Single packs can be ordered per 1.

** Stacking only allowed for full pallets with identical products per pallet

	Made from US	Danfoss pallets Optimized for overseas container loading & European storage racks		US pallets Optimized for overseas container loading	
	Code number	121U....		120U....	
	Pack type	Industrial pack	Single pack	Industrial pack	Single pack
	Compressors per pallet	12	8 *	16	16
	Static stacking of pallets **	3	3	3	3
Shipped accessories	Run capacitor (for single phase models)	Not included	Not included	Not included	Not included
	Screw for earth connection	Included	Included	Not included	Included
	4 grommets per compressor	Included	Included	Included	Included
	4 assemblies of self tapping US thread bolt + washer + sleeve per compressor	Not included	Included	Not included	Included
	4 extra sleeves per compressor	Included	Included	Included	Included

* Quantity for full pallets. Single packs can be ordered per 1.

** Stacking only allowed for full pallets with identical products per pallet

Single pack - Brazed version

	Compressors	Model variation	Connections	Features	Voltage code 1	Voltage code 2	Voltage code 4	Voltage code 5	Voltage code 9
Danfoss palette	MLZ015	T	P	9	121L8659	121L8669	121L8629	121L8631	121L8689
	MLZ021	T	P	9	121L8661	121L8671	121L8633	121L8635	121L8691
	MLZ026	T	P	9	121L8663	121L8673	121L8637	121L8639	121L8693
	MLZ030	T	C	9	121L8665	121L8675	121L8641	121L8643	121L8695
	MLZ038	T	C	9	121L8667	121L8677	121L8645	121L8647	121L8697
	MLZ045	T	C	9		121L8679	121L8649		121L8699
	MLZ048	T	C	9		121L8681	121L8651		121L8701
	MLZ058	T	C	9		121L8683	121L8653		121L8703
	MLZ066	T	C	9		121L8685	121L8657		121L8705
	MLZ076	T	C	9		121L8687	121L8655		121L8707

Industrial pack - Brazed version

	Compressors	Model variation	Connections	Features	Voltage code 1	Voltage code 2	Voltage code 4	Voltage code 5	Voltage code 9
Danfoss palette	MLZ015	T	P	9	121L8658	121L8668	121L8628	121L8630	121L8688
	MLZ021	T	P	9	121L8660	121L8670	121L8632	121L8634	121L8690
	MLZ026	T	P	9	121L8662	121L8672	121L8636	121L8638	121L8692
	MLZ030	T	C	9	121L8664	121L8674	121L8640	121L8642	121L8694
	MLZ038	T	C	9	121L8666	121L8676	121L8644	121L8646	121L8696
	MLZ045	T	C	9		121L8678	121L8648		121L8698
	MLZ048	T	C	9		121L8680	121L8650		121L8700
	MLZ058	T	C	9		121L8682	121L8652		121L8702
	MLZ066	T	C	9		121L8684	121L8656		121L8704
	MLZ076	T	C	9		121L8686	121L8654		121L8706

Made from CHN

Single pack - Rotolock version

	Compressors	Model Variation	Connections	Features	Voltage Code 1	Voltage Code 2	Voltage Code 4	Voltage Code 5	Voltage Code 9
Danfoss palette	MLZ015	T	T	9	121L8709	121L8711			121L8845
	MLZ021	T	T	9	121L8737	121L8739	121L8741	121L8743	121L8749
	MLZ026	T	T	9	121L8751	121L8753	121L8755	121L8757	121L8847
	MLZ030	T	Q	9	121L8763	121L8765	121L8767	121L8769	121L8849
	MLZ038	T	Q	9	121L8775	121L8777	121L8779	121L8781	121L8787
	MLZ045	T	Q	9		121L8797	121L8799		121L8805
	MLZ048	T	Q	9		121L8807	121L8809		121L8815
	MLZ058	T	Q	9		121L8817	121L8819		121L8825
	MLZ066	T	Q	9		121L8827	121L8829		121L8853
	MLZ076	T	Q	9		121L8835	121L8837		121L8843

Made from CHN

Industrial pack - Rotolock version

	Compressors	Model Variation	Connections	Features	Voltage Code 1	Voltage Code 2	Voltage Code 4	Voltage Code 5	Voltage Code 9
Danfoss palette	MLZ015	T	T	9	121L8708	121L8710			121L8844
	MLZ021	T	T	9	121L8736	121L8738	121L8740	121L8742	121L8748
	MLZ026	T	T	9	121L8750	121L8752	121L8754	121L8756	121L8846
	MLZ030	T	Q	9	121L8762	121L8764	121L8766	121L8768	121L8848
	MLZ038	T	Q	9	121L8774	121L8776	121L8778	121L8780	121L8786
	MLZ045	T	Q	9		121L8850	121L8798		121L8804
	MLZ048	T	Q	9		121L8806	121L8808		121L8814
	MLZ058	T	Q	9		121L8816	121L8818		121L8824
	MLZ066	T	Q	9		121L8826	121L8828		121L8852
	MLZ076	T	Q	9		121L8834	121L8836		121L8842

Made from CHN

Single pack
Brazed version


	Compressors	Model variation	Connections	Features	Voltage code 1	Voltage code 2	Voltage code 4	Voltage code 5	Voltage code 7	Voltage code 9
Danfoss pallet	MLZ015	T	P	9	-	120U8669	121U8629	121U8631	-	-
	MLZ019	T	P	9	121U8717	121U8721	121U8725	121U8729	-	-
	MLZ021	T	P	9	121U8661	121U8671	121U8633	121U8635	-	-
	MLZ026	T	P	9	121U8663	121U8673	121U8637	121U8639	-	-
	MLZ030	T	C	9	121U8665	121U8675	121U8641	121U8643	-	-
	MLZ038	T	C	9	121U8667	121U8677	121U8645	121U8647	-	-
	MLZ042	T	C	9	-	-	-	121U8793	-	-
	MLZ045	T	C	9	-	121U8679	121U8649	-	-	-
	MLZ048	T	C	9	-	121U8681	121U8651	-	-	-
	MLZ058	T	C	9	-	121U8683	121U8653	-	-	-
	MLZ066	T	C	9	-	121U8685	121U8657	-	-	-
	MLZ076	T	C	9	-	121U8687	121U8655	-	-	-
US pallet	MLZ015	T	P	9	120U8659	120U8669	120U8629	-	-	120U8689
	MLZ019	T	P	9	120U8717	120U8721	120U8725	120U8729	-	120U8733
	MLZ021	T	P	9	120U8661	120U8671	120U8633	120U8635	-	120U8691
	MLZ026	T	P	9	120U8663	120U8673	120U8637	-	-	120U8693
	MLZ030	T	C	9	120U8665	120U8675	120U8641	120U8643	-	120U8695
	MLZ038	T	C	9	120U8667	120U8677	120U8645	-	-	120U8697
	MLZ042	T	C	9	120U8789	-	-	-	-	-
	MLZ045	T	C	9	-	120U8679	120U8649	-	120U8801	120U8699
	MLZ048	T	C	9	-	120U8681	120U8651	-	120U8811	120U8701
	MLZ058	T	C	9	-	120U8683	120U8653	-	120U8821	120U8703
	MLZ066	T	C	9	-	120U8685	120U8657	-	120U8831	-
	MLZ076	T	C	9	-	120U8687	120U8655	-	120U8839	-

Rotolock version


Compressors	Model variation	Connections	Features	Voltage code 1	Voltage code 2	Voltage code 4	Voltage code 5	Voltage code 7	Voltage code 9
MLZ015	T	T	9	121U8709	121U8711	121U8713	121U8715	-	121U8689
MLZ019	T	T	9	121U8719	121U8723	121U8727	121U8731	-	121U8735
MLZ021	T	T	9	121U8737	121U8739	121U8741	121U8743	121U8747	121U8749
MLZ026	T	T	9	121U8751	121U8753	121U8755	121U8757	121U8761	121U8693
MLZ030	T	Q	9	121U8763	121U8765	121U8767	121U8769	121U8773	121U8695
MLZ038	T	Q	9	121U8775	121U8777	121U8779	121U8781	121U8785	121U8787
MLZ042	T	Q	9	121U8791	-	-	121U8795	-	-
MLZ045	T	Q	9	-	121U8797	121U8799	-	121U8803	121U8805
MLZ048	T	Q	9	-	121U8807	121U8809	-	121U8813	121U8815
MLZ058	T	Q	9	-	121U8817	121U8819	-	121U8823	121U8825
MLZ066	T	Q	9	-	121U8827	121U8829	-	121U8833	121U8705
MLZ076	T	Q	9	-	121U8835	121U8837	-	121U8841	121U8843

Made from US

Industrial pack
Brazed version


	Compressors	Model variation	Connections	Features	Voltage code 1	Voltage code 2	Voltage code 4	Voltage code 5	Voltage code 7	Voltage code 9
Danfoss pallet	MLZ015	T	P	9	-	120U8668	121U8628	121U8630	-	-
	MLZ019	T	P	9	121U8716	121U8720	121U8724	121U8728	-	-
	MLZ021	T	P	9	121U8660	121U8670	121U8632	121U8634	-	-
	MLZ026	T	P	9	121U8662	121U8672	121U8636	121U8638	-	-
	MLZ030	T	C	9	121U8664	121U8674	121U8640	121U8642	-	-
	MLZ038	T	C	9	121U8666	121U8676	121U8644	121U8646	-	-
	MLZ042	T	C	9	-	-	-	121U8792	-	-
	MLZ045	T	C	9	-	121U8678	121U8648	-	-	-
	MLZ048	T	C	9	-	121U8680	121U8650	-	-	-
	MLZ058	T	C	9	-	121U8682	121U8652	-	-	-
	MLZ066	T	C	9	-	121U8684	121U8656	-	-	-
	MLZ076	T	C	9	-	121U8686	121U8654	-	-	-
US pallet	MLZ015	T	P	9	120U8658	120U8668	120U8628	-	-	120U8688
	MLZ019	T	P	9	120U8716	120U8720	120U8724	120U8728	-	120U8732
	MLZ021	T	P	9	120U8660	120U8670	120U8632	120U8634	-	120U8690
	MLZ026	T	P	9	120U8662	120U8672	120U8636	120U8638	-	120U8692
	MLZ030	T	C	9	120U8664	120U8674	120U8640	120U8642	-	120U8694
	MLZ038	T	C	9	120U8666	120U8676	120U8644	120U8646	-	120U8696
	MLZ042	T	C	9	120U8788	-	-	-	-	-
	MLZ045	T	C	9	-	120U8678	120U8648	-	120U8800	120U8698
	MLZ048	T	C	9	-	120U8680	120U8650	-	120U8810	120U8700
	MLZ058	T	C	9	-	120U8682	120U8652	-	120U8820	120U8702
	MLZ066	T	C	9	-	120U8684	120U8656	-	120U8830	-
	MLZ076	T	C	9	-	120U8686	120U8654	-	120U8838	-

Rotolock version


Compressors	Model variation	Connections	Features	Voltage code 1	Voltage code 2	Voltage code 4	Voltage code 5	Voltage code 7	Voltage code 9
MLZ015	T	T	9	121U8708	121U8710	121U8712	121U8714	-	121U8688
MLZ019	T	T	9	121U8718	121U8722	121U8726	121U8730	-	121U8734
MLZ021	T	T	9	121U8736	121U8738	121U8740	121U8742	121U8746	121U8748
MLZ026	T	T	9	121U8750	121U8752	121U8754	121U8756	121U8760	121U8692
MLZ030	T	Q	9	121U8762	121U8764	121U8766	121U8768	121U8772	121U8694
MLZ038	T	Q	9	121U8774	121U8776	121U8778	121U8780	121U8784	121U8786
MLZ042	T	Q	9	121U8790	-	-	121U8794	-	-
MLZ045	T	Q	9	-	121U8796	121U8798	-	121U8802	121U8804
MLZ048	T	Q	9	-	121U8806	121U8808	-	121U8812	121U8814
MLZ058	T	Q	9	-	121U8816	121U8818	-	121U8822	121U8824
MLZ066	T	Q	9	-	121U8826	121U8828	-	121U8832	121U8704
MLZ076	T	Q	9	-	121U8834	121U8836	-	121U8840	121U8842

Made from US

Run capacitors for PSC wiring


Type	Code n°	Description	Application	Packaging	Pack size
80µF	120Z0052	PSC wiring Run Capacitor 80µF,	60Hz, Motor Code 1 : MLZ/MLM042	Multipack	10
70µF	120Z0051	PSC wiring Run Capacitor 70µF,	50Hz, Motor Code 5: MLZ/MLM019-021-26 60Hz, Motor Code 1 : MLZ/MLM030	Multipack	10
60µF	120Z0050	PSC wiring Run Capacitor 60 µF,	60Hz, Motor Code 1 : MLZ/MLM026	Multipack	10
55µF	8173234	PSC wiring Run Capacitor 55µF,	50Hz, Motor Code 5: MLZ/MLM038-042 60Hz, Motor Code 1: MLZ/MLM038	Multipack	10
50µF	8173233	PSC wiring Run Capacitor 50µF,	50Hz, Motor Code 5: MLZ/MLM030	Multipack	10
45µF	8173232	PSC wiring Run Capacitor 45µF,	60Hz, Motor Code 1 : MLZ/MLM015-019-021	Multipack	10
40µF	8173231	PSC wiring Run Capacitor 40µF,	50Hz, Motor Code 5: MLZ/MLM015	Multipack	10

Start capacitors for CSR wiring


Type	Code n°	Description	Application	Packaging	Pack size
145-175µF	120Z0399	CSR wiring Start Capacitor 145-175µF,	50Hz, Motor Code 5: MLZ/MLM015-019-021-026 60Hz, Motor Code 1 : MLZ/MLM015-019-021	Multipack	10
161-193µF	120Z0400	CSR wiring Start Capacitor 161-193µF,	50Hz, Motor Code 5: MLZ/MLM030 60Hz, Motor Code 1 : MLZ/MLM030	Multipack	10
88-108µF	8173001	CSR wiring Start Capacitor 88-108µF,	50Hz, Motor Code 5: MLZ/MLM038-042 60Hz, Motor Code 1 : MLZ/MLM026 ,MLZ/MLM038	Multipack	10

Starting relays for CSR wiring


Type	Code n°	Description	Application	Packaging	Pack size
RVA3EKL	120Z0394	CSR wiring Starting Relay, motor voltage code 5 - 220-240V / 1 / 50Hz	MLZ/MLM015-019-021-026-030	Multipack	10
RVA4GKL	120Z0395	CSR wiring Starting Relay, motor voltage code 5 - 220-240V / 1 / 50Hz	MLZ/MLM038-042	Multipack	10
RVA2ACKL	120Z0396	CSR wiring Starting Relay, motor voltage code 1 -208-230V / 1 / 60Hz	MLZ/MLM015-019-021	Multipack	10
RVA2ABKL	120Z0397	CSR wiring Starting Relay, motor voltage code 1 -208-230V / 1 / 60Hz	MLZ/MLM026-030,MLZ/MLM042	Multipack	10
RVA44IKL	120Z0398	CSR wiring Starting Relay, motor voltage code 1 -208-230V / 1 / 60Hz	MLZ/MLM038	Multipack	10

Solder sleeve adapter sets


Code n°	Description	Application	Packaging	Pack size
120Z0126	Rotolock adaptor set (1-1/4" ~ 3/4") , (1" ~ 1/2")	MLZ015-019-021-026	Multipack	6
120Z0127	Rotolock adaptor set (1-1/4" ~ 7/8") , (1" ~ 1/2")	MLZ030-038-042-045	Multipack	6
120Z0128	Rotolock adaptor set (1-1/4" ~ 7/8") , (1-1/4" ~ 3/4")	MLZ048	Multipack	6
120Z0129	Rotolock adaptor set (1-3/4" ~ 1-1/8") , (1-1/4" ~ 7/8")	MLZ058-066-076	Multipack	6

Rotolock nuts and sleeves kit


Code n°	Description	Application	Packaging	Pack size
120Z5074	Rotolock nuts 1"1/4 and 1" with sleeves and gaskets	MLZ015-045	Multipack	6
120Z5076	2 Rotolock nuts 1"1/4 with sleeves and gaskets	MLZ048	Multipack	6
120Z5075	Rotolock nuts 1"1/4 and 1"3/4 with sleeves and gaskets	MLZ058-066-076	Multipack	6

Rotolock adapters


Code n°	Description	Application	Packaging	Pack size
120Z0366	Rotolock adaptor (1-1/4" ~ 3/4")	MLZ015-019-021-026 suction	Multipack	10
120Z0367	Rotolock adaptor (1-1/4" ~ 7/8")	MLZ030-038-042-045-048 suction	Multipack	10
120Z0364	Rotolock adaptor (1-3/4" ~ 1-1/8")	MLZ058-066-076 suction	Multipack	10
120Z0365	Rotolock adaptor (1" ~ 1/2")	MLZ015-019-021-026-030-038-042-045 discharge	Multipack	10
120Z0366	Rotolock adaptor (1-1/4" ~ 3/4")	MLZ048 discharge	Multipack	10
120Z0367	Rotolock adaptor (1-1/4" ~ 7/8")	MLZ058-066-076 discharge	Multipack	10

Rotolock service valves and valve sets (without gasket)


Code n°	Description	Application	Packaging	Pack size
7968004	Rotolock valve, V06, (1" Rotolock, 1/2" ODF)	Discharge MLZ015-026-045	Industry pack	50
8168031	Rotolock valve, V06, (1" Rotolock, 1/2" ODF)		Multipack	6
7968006	Rotolock valve, V04, (1"1/4 Rotolock, 3/4" ODF)	Suction MLZ015-026 Discharge MLZ048	Industry pack	42
8168029	Rotolock valve, V04, (1"1/4 Rotolock, 3/4" ODF)		Multipack	6
7968007	Rotolock valve, V05, (1"1/4 Rotolock, 7/8" ODF)	Suction MLZ030-048 Discharge MLZ058-066-076	Industry pack	36
8168030	Rotolock valve, V05, (1"1/4 Rotolock, 7/8" ODF)		Multipack	6
7968009	Rotolock valve, V02, (1"3/4 Rotolock, 1"1/8 ODF)	Suction MLZ058-066-076	Industry pack	24
8168028	Rotolock valve, V02, (1"3/4 Rotolock, 1"1/8 ODF)		Multipack	6
7703008	Valve set V02 (1"3/4rotolock, 1"1/8 ODF), V05 (Rotolock 1"1/4, 7/8" ODF)	MLZ058-066-076	Multipack	6

Mounting kits


Code n°	Description	Application	Packaging	Pack size
120Z0661	Mounting kit for 1 scroll compressor including 4 grommets, 4 sleeves, 4 bolts, 4 washers	MLZ	Single pack	1

Crankcase heater


Code No	Description	Application	Packaging	Pack Size
120Z5040	Belt type crankcase heater, 65 W, 230 V, CE mark, UL (Wire length: 1270 mm)	MLZ/MLM 015-019-021-026	Multipack	4
120Z5041	Belt type crankcase heater, 55/70W, 400/460 V, CE mark, UL (Wire length: 1270 mm)	MLZ/MLM 015-019-021-026	Multipack	4
120Z5042	Belt type crankcase heater, 70 W, 575 V, CE mark, UL (Wire length: 1270 mm)	MLZ/MLM 015-019-021-026	Multipack	4
120Z0055	Belt type crankcase heater, 40W, 230V, CE mark, UL (wire length: 1000mm)	MLZ/MLM 015-019-021-26	Multipack	6
120Z0056	Belt type crankcase heater, 40W, 400V, CE mark, UL (wire length: 1000mm)	MLZ/MLM 015-019-021-26	Multipack	6
120Z0059	Belt type crankcase heater, 65 W, 230V, CE mark, UL (Wire length: 1000 mm)	MLZ/MLM 030-038-042-045-048-058-066-076	Multipack	6
120Z0060	Belt type crankcase heater, 65 W, 400 V, CE mark, UL (Wire length: 1000 mm)	MLZ/MLM 030-038-045-048-058-066-076	Multipack	6
120Z5012	Belt type crankcase heater, 70W, 460V, CE mark, UL	MLZ/MLM 030-076	Multipack	4
120Z5013	Belt type crankcase heater, 70 W, 575V, CE mark, UL	MLZ/MLM 030-076	Multipack	4

Discharge thermostat kit


Code No	Description	Application	Packaging	Pack Size
7750009	Discharge thermostat kit	All models	Multipack	10
7973008	Discharge thermostat kit	All models	Industry pack	50

Magnetic discharge non return valve


Code No	Description	Application	Packaging	Pack Size
120Z5046	Magnetic discharge non return valve	MLZ058-076	Multipack	6

Lubricant


Code No	Description	Application	Packaging	Pack Size
120Z0648	POE lubricant, 215PZ(RL46HB),1 litre can	MLZ	Multipack	12

IP54 upgrade kit


Code No	Description	Application	Packaging	Pack Size
118U0056	IP54 upgrade kit for round terminal box	MLZ015-019-021-026	Multipack	6
118U0057	IP54 upgrade kit for square terminal box	MLZ030-038-042-045-048-058-076	Multipack	6

Acoustic hood


Code No	Description	Application	Packaging	Pack Size
120Z5083	Acoustic hood	MLZ015-019-021-026	Single pack	1
120Z5084	Acoustic hood	MLZ030-038-042-045-048	Single pack	1
120Z5085	Acoustic hood	MLZ058-066-076	Single pack	1

Terminal box


Code No	Description	Application	Packaging	Pack Size
120Z5015	Round terminal box (P & T version)	MLZ015-019-021-026	Multipack	10
120Z5018	Square terminal box (C & Q version)	MLZ030-038-042-045-058-066-076	Multipack	10

Danfoss Cooling

is a worldwide manufacturer of compressors and condensing units for refrigeration and HVAC applications. With a wide range of high quality and innovative products we help your company to find the best possible energy efficient solution that respects the environment and reduces total life cycle costs.

We have 40 years of experience within the development of hermetic compressors which has brought us amongst the global leaders in our business, and positioned us as distinct variable speed technology specialists. Today we operate from engineering and manufacturing facilities spanning across three continents.



Our products can be found in a variety of applications such as rooftops, chillers, residential air conditioners, heatpumps, coldrooms, supermarkets, milk tank cooling and industrial cooling processes.

www.danfoss.com

Danfoss, BP 331, 01603 Trévoux Cedex, France | +334 74 00 28 29



Danfoss can accept no responsibility for possible errors in catalogues, brochures and other printed material. Danfoss reserves the right to alter its products without notice. This also applies to products already on order provided that such alterations can be made without subsequential changes being necessary in specifications already agreed. All trademarks in this material are property of the respective companies. Danfoss and the Danfoss logotype are trademarks of Danfoss A/S. All rights reserved.