

Technical Data Sheet

ENGINEERING
TOMORROW



Compressor model **GL80ANb**
Voltage **200-220/220-230V 50/60Hz ~1**
Refrigerant **R134a**

APPLICATION

COMPRESSOR

MOTOR

Application	Low Back Pressure	Displacement	8,10 cm ³	Nominal Power	1/5 hp
Refrigerant	R134a	Diameter	24,29 mm	Voltage/Frequency	220-230V 60Hz
Evaporating Temp.	-35,0 °C to -10,0 °C	Stroke	17,47 mm	Voltage range	187-253 V
Expansion	Capillar/Valve	Net Weight	9,90 Kg	Type	CSIR
Comp. Cooling	Fan cooled	Oil type	ISO VG 32 ESTER	Phase number	1 PH
Max. ambient temp.	43,0 °C	Oil charge	445 cm ³	Locked Rotor Amps (LRA)	15,80 A
Compatible refriger.	R1234yf			Max. Cont. Current (MCC)	2,80 A
				Main W. resist. at 25°C	8,90 Ω
				Start W. resist. at 25°C	14,10 Ω

NOMINAL PERFORMANCE

APPROVALS

	ASHRAE	CECOMAF
Cooling Capacity	202 kCal/h	172 W
COP	1,19 W/W	0,92 W/W
EER	1,03 kCal/Wh	0,80 kCal/Wh
Input Power	197 W	186 W
Current	1,39 A	1,36 A

TEST CYCLE CONDITIONS

	ASHRAE LBP (B)	CECOMAF LBP (A)
Evaporating temp. (T _e)	-23,3 °C	-25,0 °C
Condensing temp. (T _c)	55,0 °C	55,0 °C
Liquid temp. (T _{liq.})	32,0 °C	55,0 °C
Ambient temp. (T _{amb.})	32,0 °C	32,0 °C
Suction temp. (T _{suction})	32,0 °C	32,0 °C
Voltage/Frequency	220 V 60 Hz	220 V 60 Hz

ELECTRICAL COMPONENTS

Starting capacitor	64- 77 μF 330 V			
Relay	Option 1			
Reference	2014 131.			
Pick-Up	5,30 A			
Drop-Out	4,50 A			
Protector	Option 1			
Reference	T0168			
Current	9,50 A			
Time check	7,5-14 seg			
Disc temp. (Open/Close)	105,00 / 61,00 °C			

Technical Data Sheet

ENGINEERING
TOMORROW



ASHRAE

Tc °C	Te °C	Cooling Capacity kCal/h	Consumption W	Current A	COP W/W	EER kCal/Wh
40	-35	118	136	1,23	1,01	0,87
40	-30	160	159	1,28	1,17	1,01
40	-25	214	184	1,35	1,35	1,16
40	-23,3	235	193	1,38	1,42	1,22
40	-20	280	211	1,43	1,54	1,33
40	-15	358	241	1,54	1,73	1,49
40	-10	449	273	1,66	1,91	1,64

45	-35	109	134	1,23	0,95	0,82
45	-30	150	158	1,28	1,10	0,95
45	-25	203	185	1,35	1,28	1,10
45	-23,3	224	194	1,38	1,34	1,15
45	-20	268	213	1,44	1,46	1,26
45	-15	346	245	1,55	1,64	1,41
45	-10	435	278	1,68	1,82	1,56

50	-35	101	132	1,22	0,89	0,76
50	-30	141	158	1,28	1,04	0,89
50	-25	193	186	1,36	1,21	1,04
50	-23,3	213	196	1,39	1,27	1,09
50	-20	257	216	1,45	1,38	1,19
50	-15	333	249	1,57	1,56	1,34
50	-10	422	284	1,71	1,73	1,49

55	-35	92	130	1,22	0,82	0,71
55	-30	131	157	1,28	0,97	0,83
55	-25	182	186	1,36	1,13	0,98
55	-23,3	202	197	1,39	1,19	1,03
55	-20	245	218	1,46	1,31	1,12
55	-15	320	252	1,58	1,48	1,27
55	-10	408	289	1,73	1,64	1,41

60	-35	83	128	1,22	0,76	0,65
60	-30	121	157	1,28	0,90	0,77
60	-25	171	187	1,36	1,06	0,91
60	-23,3	191	198	1,39	1,12	0,96
60	-20	233	221	1,47	1,23	1,06
60	-15	308	256	1,60	1,40	1,20
60	-10	394	294	1,75	1,56	1,34

65	-35	75	126	1,21	0,69	0,59
65	-30	112	156	1,28	0,83	0,71
65	-25	161	188	1,36	0,99	0,85
65	-23,3	180	200	1,40	1,05	0,90
65	-20	222	223	1,47	1,16	0,99
65	-15	295	260	1,61	1,32	1,13
65	-10	381	300	1,78	1,48	1,27

CECOMAF

Tc °C	Te °C	Cooling Capacity W	Consumption W	Current A	COP W/W	EER kCal/Wh
40	-35	129	136	1,23	0,95	0,82
40	-30	178	159	1,28	1,12	0,97
40	-25	238	184	1,35	1,30	1,12
40	-23,3	262	193	1,38	1,36	1,17
40	-20	310	211	1,43	1,47	1,27
40	-15	394	241	1,54	1,64	1,41
40	-10	489	273	1,66	1,79	1,55

45	-35	115	134	1,23	0,86	0,74
45	-30	160	158	1,28	1,01	0,87
45	-25	216	185	1,35	1,17	1,01
45	-23,3	238	194	1,38	1,23	1,06
45	-20	284	213	1,44	1,33	1,15
45	-15	363	245	1,55	1,48	1,28
45	-10	454	278	1,68	1,63	1,41

50	-35	101	132	1,22	0,76	0,66
50	-30	142	158	1,28	0,90	0,78
50	-25	194	186	1,36	1,05	0,90
50	-23,3	214	196	1,39	1,10	0,95
50	-20	258	216	1,45	1,19	1,03
50	-15	333	249	1,57	1,34	1,16
50	-10	419	284	1,71	1,48	1,28

55	-35	87	130	1,22	0,67	0,58
55	-30	124	157	1,28	0,79	0,68
55	-25	172	186	1,36	0,92	0,80
55	-23,3	191	197	1,39	0,97	0,84
55	-20	231	218	1,46	1,06	0,92
55	-15	302	252	1,58	1,20	1,03
55	-10	385	289	1,73	1,33	1,15

60	-35	73	128	1,22	0,57	0,49
60	-30	106	157	1,28	0,68	0,58
60	-25	150	187	1,36	0,80	0,69
60	-23,3	167	198	1,39	0,84	0,73
60	-20	205	221	1,47	0,93	0,80
60	-15	272	256	1,60	1,06	0,92
60	-10	350	294	1,75	1,19	1,03

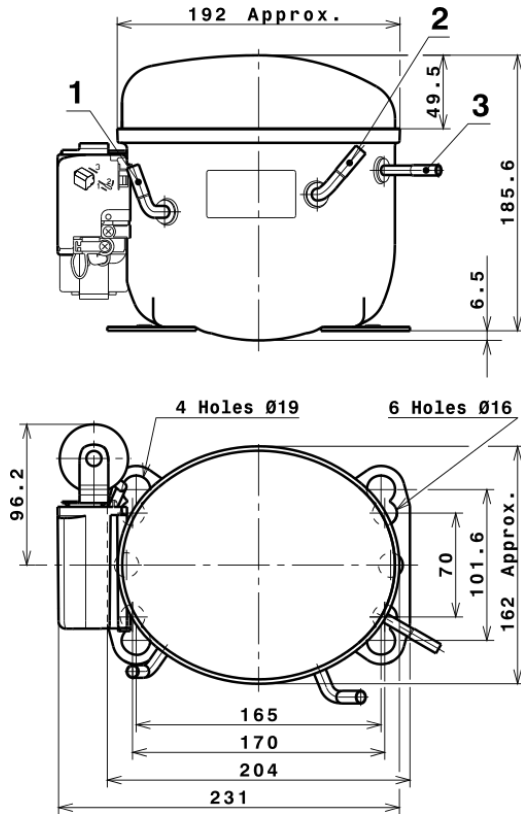
65	-35	59	126	1,21	0,47	0,41
65	-30	88	156	1,28	0,56	0,49
65	-25	127	188	1,36	0,68	0,58
65	-23,3	144	200	1,40	0,72	0,62
65	-20	179	223	1,47	0,80	0,69
65	-15	241	260	1,61	0,93	0,80
65	-10	315	300	1,78	1,05	0,91

EN12900

X	Cooling Capacity (W)	Consumption (W)	Current (A)	Mass Flow (kg/h)
1	1.053,0193501403	285,4604167502	1,7528795740	18,973270439699
2	31,1064720520	5,4593108660	0,0300155716	0,62725340035685
3	-8,8031627311	1,6924587646	0,0069957663	-0,075009722023174
4	0,2228686350	0,0497011404	0,0004664664	0,0060141526205306
5	-0,1722186297	0,0600302830	0,0002247989	-0,00098316864887327

Equation	$x_1 + x_2Te + x_3Tc + x_4Te^2 + x_5TeTc$
----------	---

COMPRESSOR DIMENSIONS

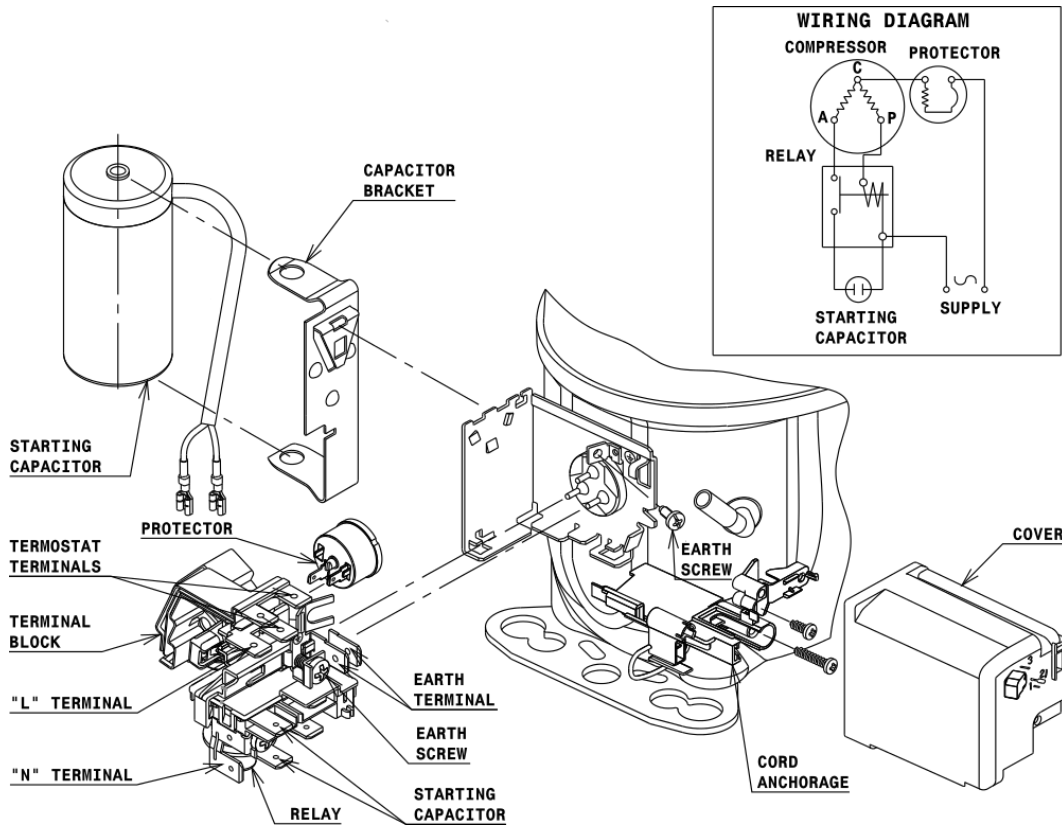


DESIGNATION INTERNAL DIAM.

DESIGNATION	INTERNAL DIAM.
1 Suction	6,5 mm
2 Service	6,5 mm
3 Discharge	4,9 mm

WIRING DIAGRAMS AND ELECTRICAL ASSEMBLY

CSIR CONNECTION (L, P ranges)



FIXINGS



SILENT BLOCKS (MOUNTING ACCESSORIES)

STANDARD

Ø16 holes (170x70 net)



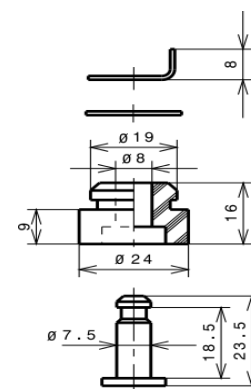
AMERICAN FEET

Ø19 holes (165x101.6 net)



SNAP-ON

Ø16 holes (170x70 net)



SOA

SOA R134a LBP

