

MA

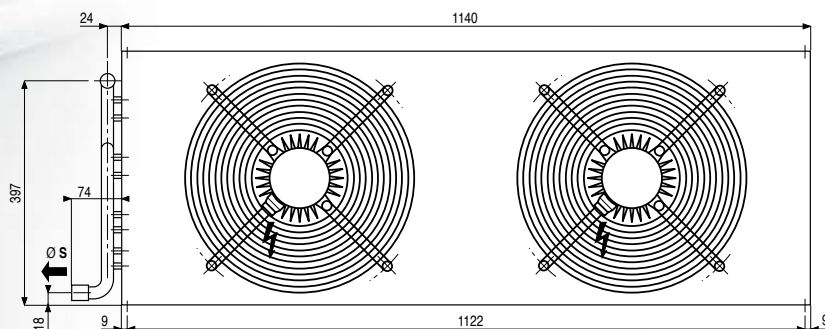
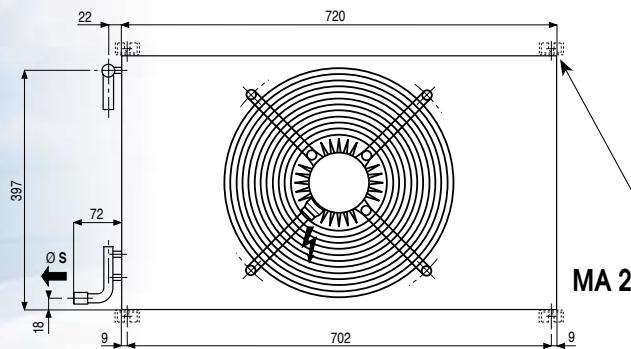
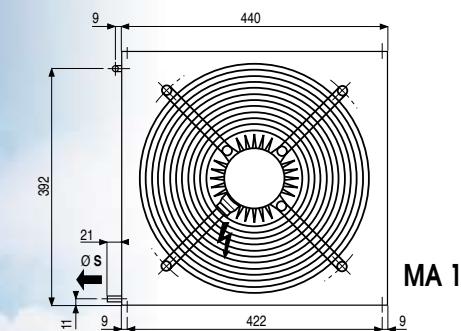
Models	MA ...		1	2	3	
Capacity	DT1 = 15K - R404A	kW	04P	4.1	7.9	12.3
			06P	3.2	5.8	9.2
			08P	2.8	4.7	7.8
Surface		m ²	5,7	12,9	20,9	
Circuit vol.		dm ³	0,9	2,2	3,5	
Fan *	Air flow	m ³ /h	04P	1970	2300	4200
			06P	1340	1600	2900
			08P	950	1110	2060
		No	1 x Ø 350 mm	1 x Ø 350 mm	2 x Ø 350 mm	
Energy efficiency class			04P	E	D	E
			06P	E	D	D
			08P	E	C	D
Acoustic	Lw (1)	dB(A)	04P	70	70	73
			06P	64	64	67
			08P	53	53	56
Acoustic	Lp (2)	dB(A)	04P	39	39	42
			06P	33	33	36
			08P	22	22	25
Net weight including fan(s)		kg	7	12	18	

* 230 V/1/50 Hz - 04P : 185 W max - 0,9 A max (3) - 06P : 85 W max - 0,43 A max (3) - 08P : 70 W max - 0,3 A max (3)

(1) Sound power level in dB(A), obtained according to the NF EN 13487 norm (parallelepiped reference surface).

(2) The sound pressure in dB(A) measured at a line-of-sight to reflecting parallelepiped surface distance of 10 meters, is given as an indication only. Values measured under normal working conditions with a clean coil at nominal voltage.

(3) Setting of overload protections.



Models	MA ...		1	2	3
Dimensional data	A mm		125	122	122
	B mm		34	15	15
Inlet	Ø E	ODF *	8 mm	1/2"	16 mm
		ODM **	3/8"		
Outlet	Ø S	ODF *	8 mm	1/2"	16 mm
		ODM **	3/8"		
Packing sizes	mm		570 x 430 x 185	880 x 430 x 185	1280 x 460 x 185
Fan packing sizes	mm		460 x 460 x 185	460 x 460 x 185	460 x 460 x 185 (x2)

* ODF: female sweat type connection.

** ODM: male sweat type connection.

