



YGF Series Cross Flow Fans

YGF 系列产品概述 Summary of YGF Series Cross Flow Fans

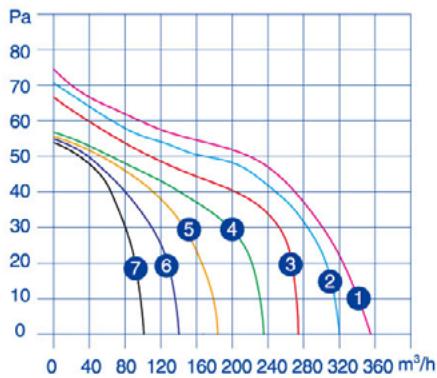
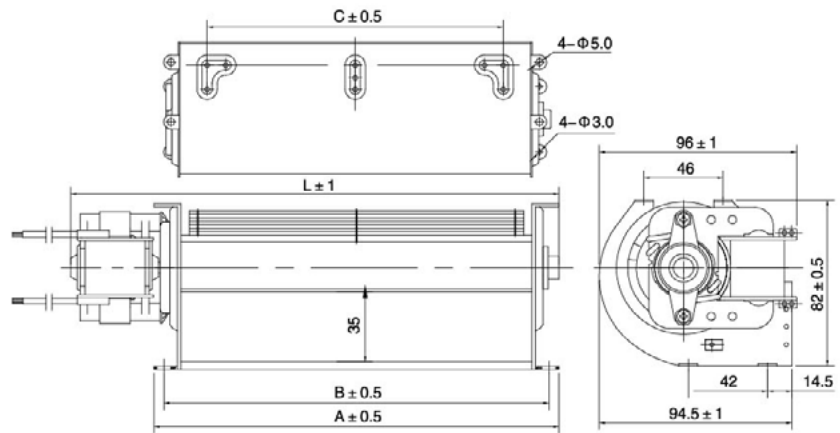
- 风机的最大特点是流体两次流经风机叶轮，流体沿径向流入后再沿径向流出，进气和排气方向处于同一平面，所排气体沿风机宽度方向分布均匀。由于其结构简单、体积小、动压系数较高而达到的距离较长,广泛用于空调、风幕设备、干燥机、电吹风、家电设备上。
- 电机使用的所有原材料均通过RoHS认证。
- 电机的绝缘等级为B级，可根据客户要求生产绝缘等级为F、H级电机。
- 一般电机适用环境温度为-30℃~50℃。
- 电机平均使用寿命为20000小时以上。
- 电机使用前，必须将电机接地线与外部接地装置有效连接。
- The most outstanding characteristic for YGF series fan motor is that the fluid go through the fan wheel twice. Fluid come in and come out through radial direction. The inlet and outlet airflow are at same plane, and the outlet airflow are uniformly distributed horizontally as fan wheel. The YGF series motor widely use in Air-conditioning, Air curtain, Drying machine and household Appliance because of the compact structure, long-range air flow by high dynamic pressure coefficient.
- All material conform to RoHS.
- Insulation class of motor is Class B. According to different requirements, motor with Class F and Class H can be produced.
- The applicable ambient temperature is -30℃ ~ 50℃.
- The average working life of motor is over 20000 hours.
- Make sure the earth wire of the motor connected with the external grounding device before operating.

型号说明 Illustration of model

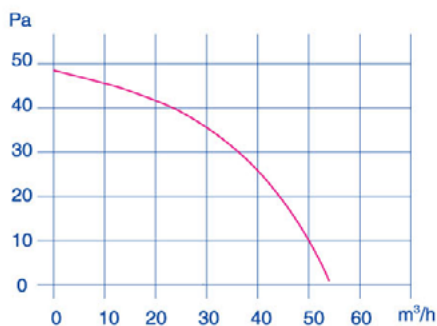
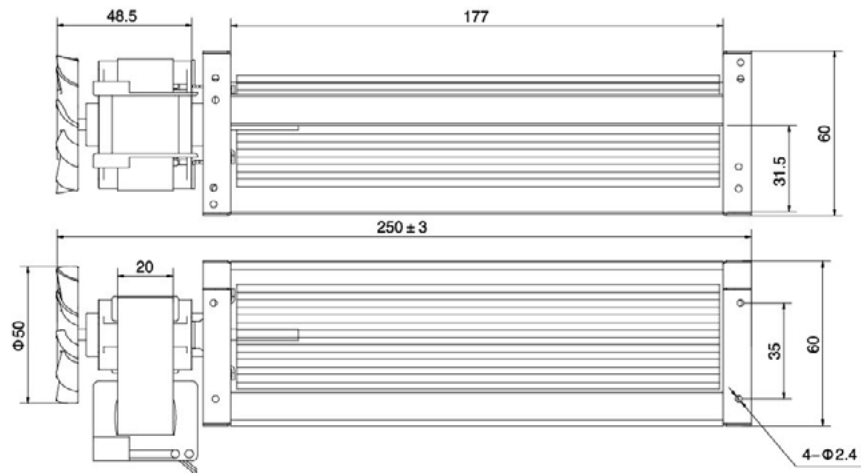
YGF 60 - 183



YGF 贯流风机 Cross Flow Motors



TYPE 型号	VOLTAGE 额定电压 V	FREQUENCY 频率 Hz	CURRENT 额定电流 A	INPUT 输入功率 W	SPEED 转速 r/min	AIR VOLUME 额定风量 m³/h	A mm	B mm	C mm	L mm	NO. ON THE CURVE
YGF60.480	220	50	0.42	48	2200	354	505	495	450.5	576	①
YGF60.420	220	50	0.40	45	2300	310	445	435	390.5	516	②
YGF60.360	220	50	0.38	43	2400	270	385	375	330.5	456	③
YGF60.300	220	50	0.27	29	2150	230	325	315	270.5	382	④
YGF60.240	220	50	0.25	27	2300	175	265	255	210.5	322	⑤
YGF60.183	220	50	0.20	20	2100	140	206	196	153.5	253	⑥
YGF60.120	220	50	0.19	18	2300	92	145	135	90.5	192	⑦



TYPE 叶轮型号	MODEL 电机型号	VOLTAGE 额定电压 V	FREQUENCY 额定频率 Hz	RATED INPUT 额定功率 W	RATED CURRENT 额定电流 A	RATED SPEED 额定转速 r/min	NET WEIGHT 净重 kg	LICENSE 认证
YGF48-180	YZF5505	220-240	50	7.2	0.06	2000	0.3	CCC